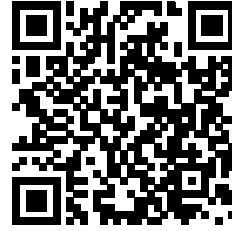
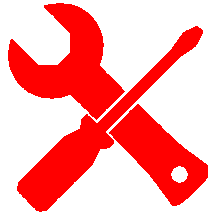
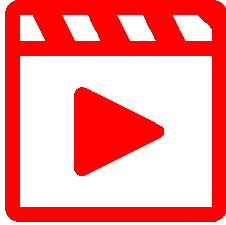
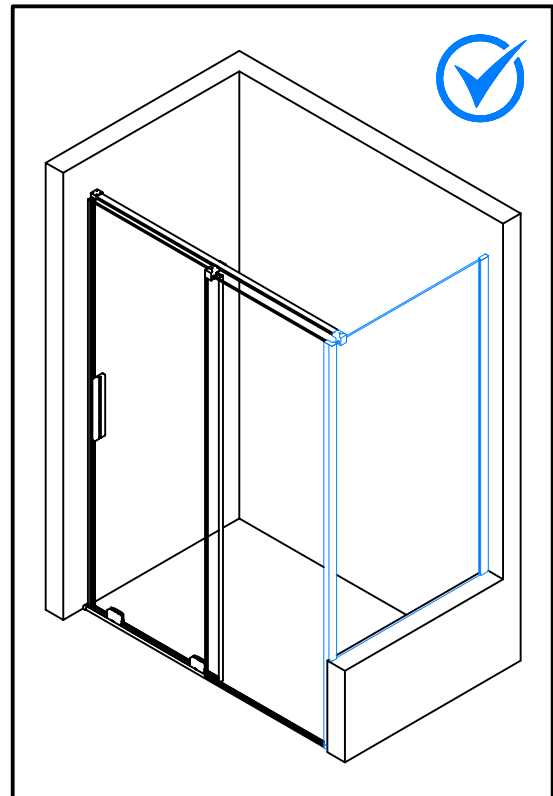
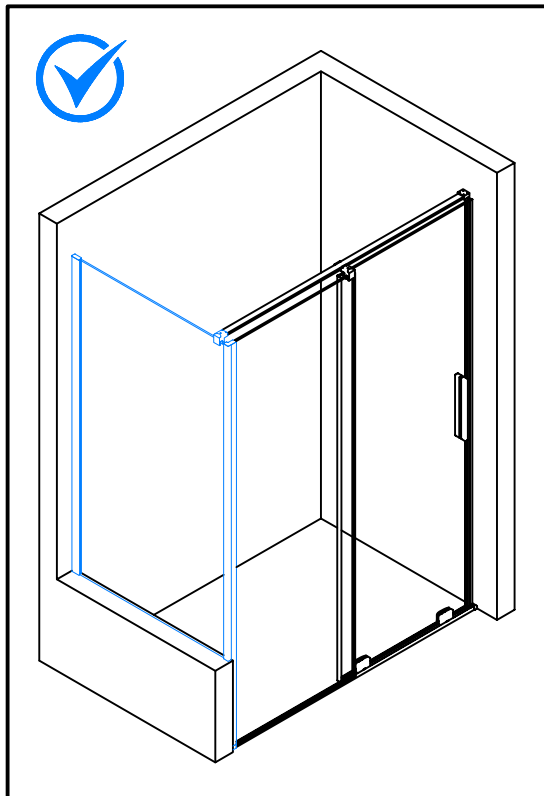
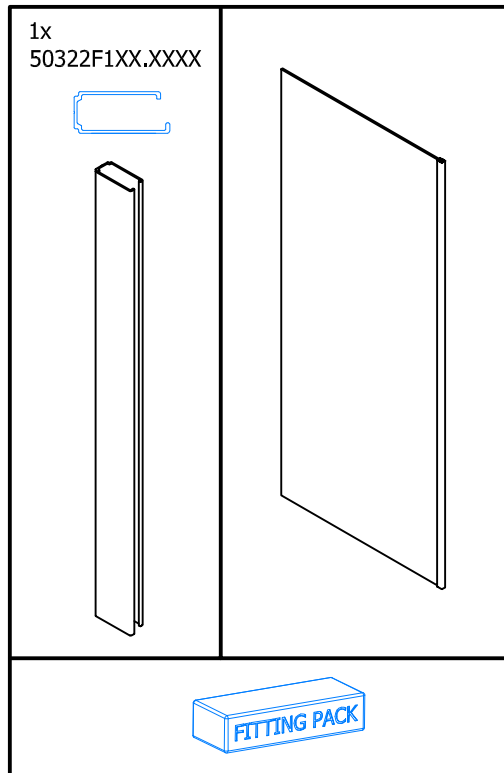
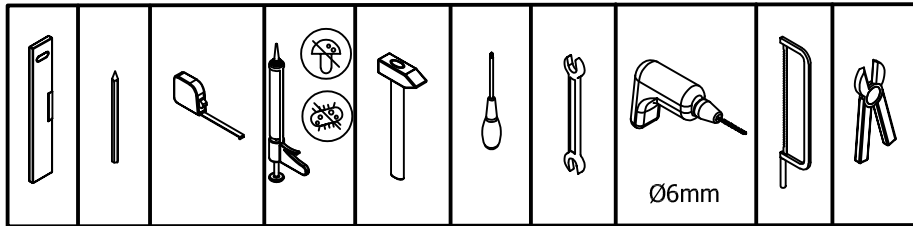
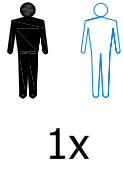


19822



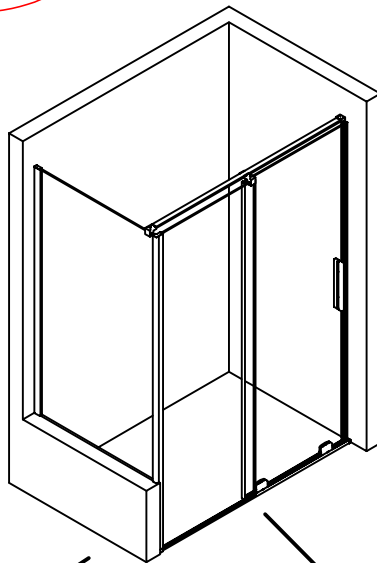
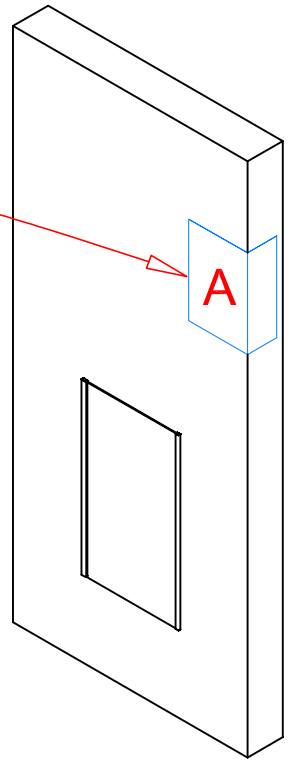
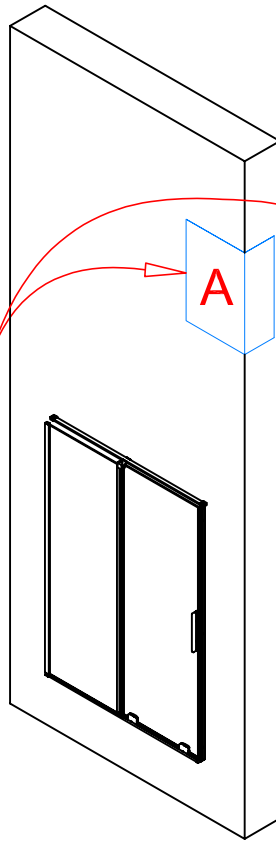
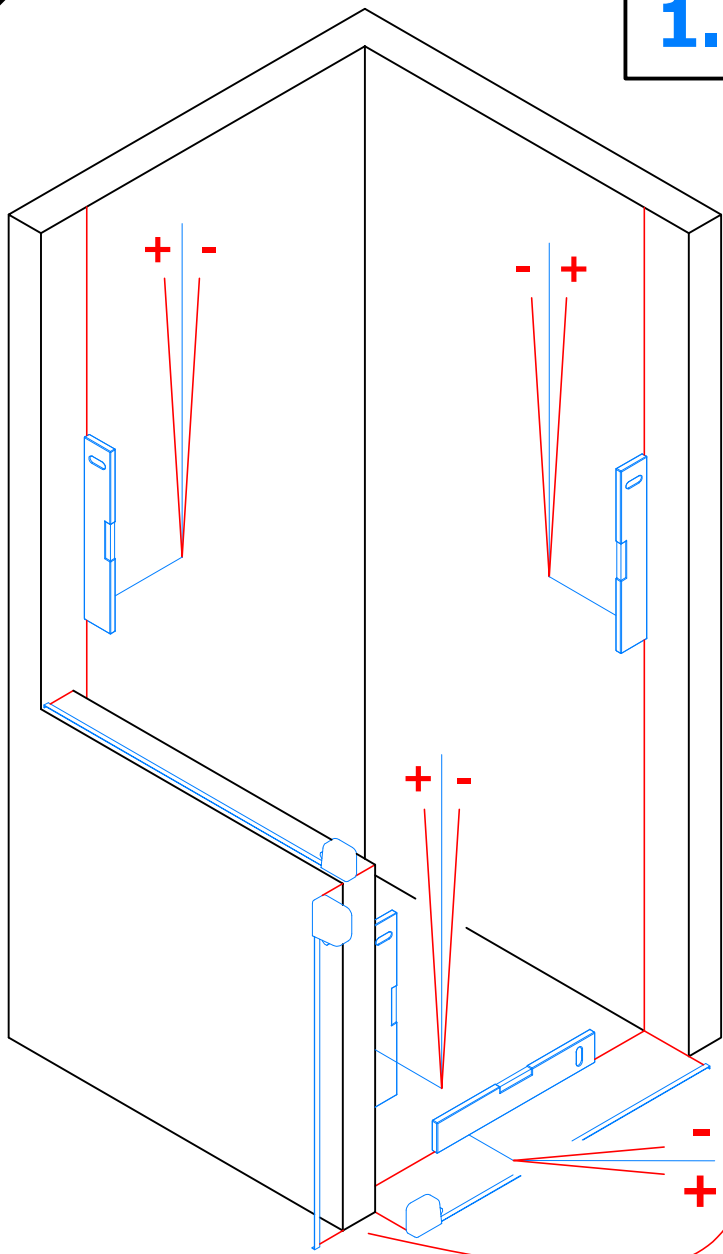
D35F3V
ACD35F3V





	<p>1x 81190.XX</p>	<p>1x 81191.XX</p>	<p>1x 81552.XX</p>	<p>1x 81553.XX</p>	<p>1x 51209</p>
	<p>3x 14374 4.2 x 9.5mm</p>	<p>3x 14295 4.2 x 32mm</p>	<p>3x 16000 Ø 6mm</p>	<p>1x MT0489.XX</p>	<p>1x 31107</p>

1.

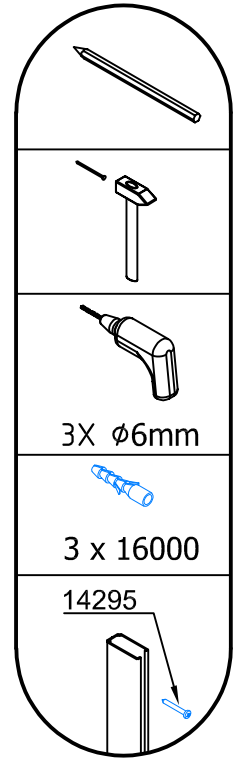
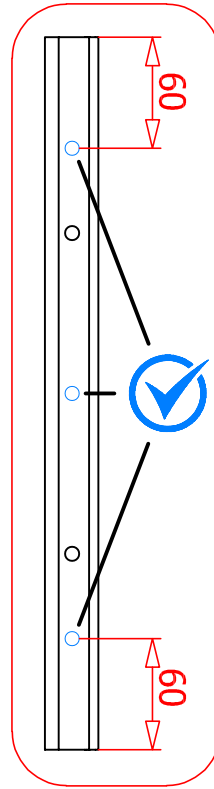
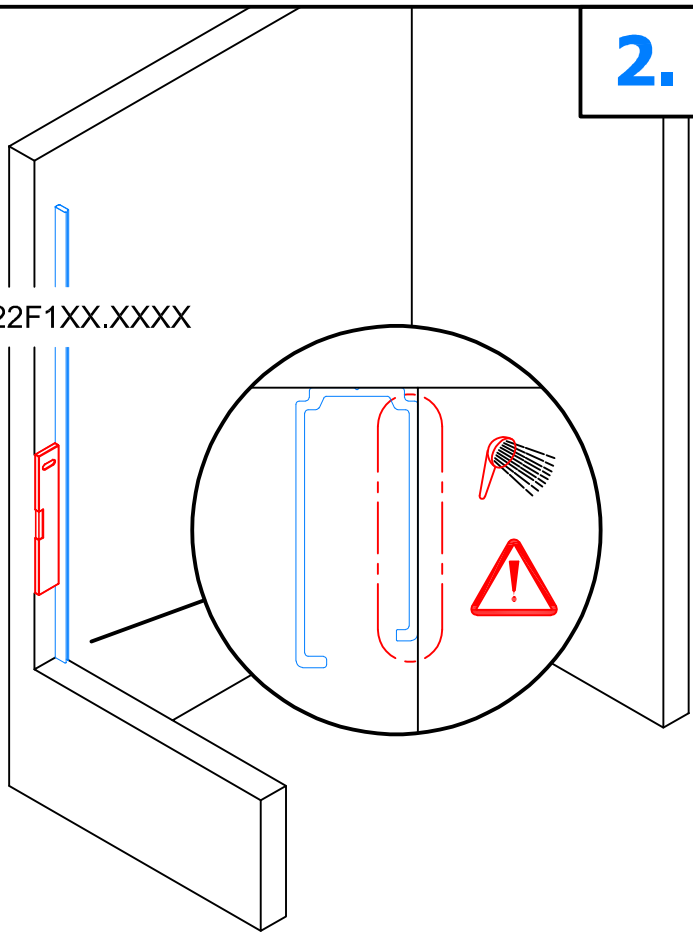


A
SM
-10 ; +15

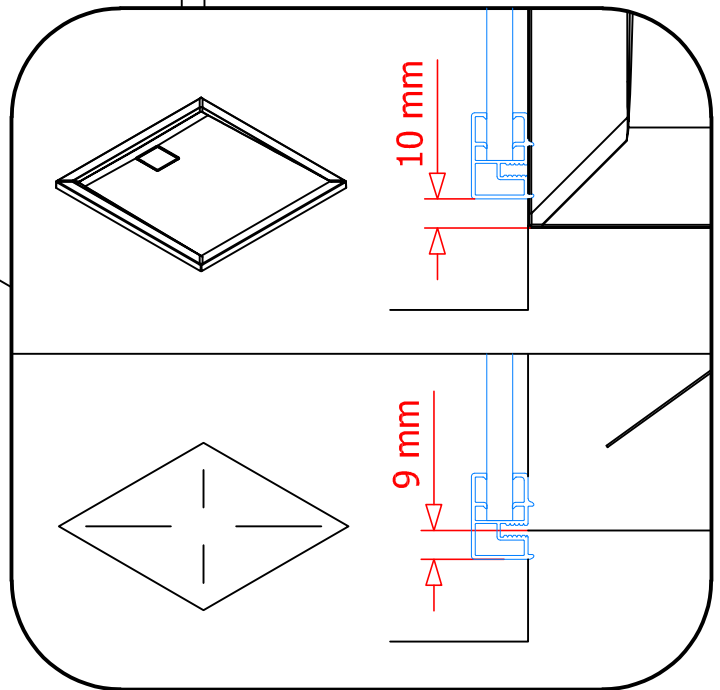
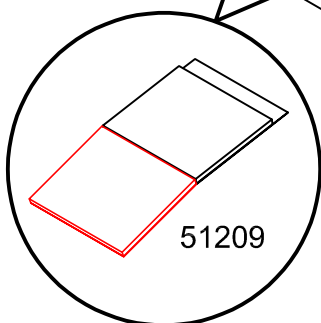
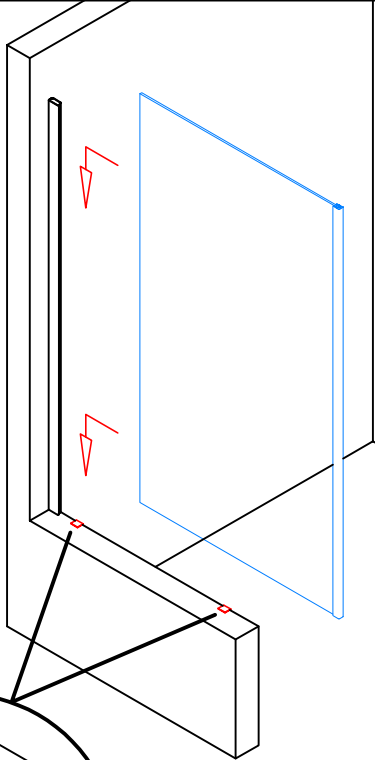
A	
STD	SM
-42 ; +14	-36 ; +20

2.

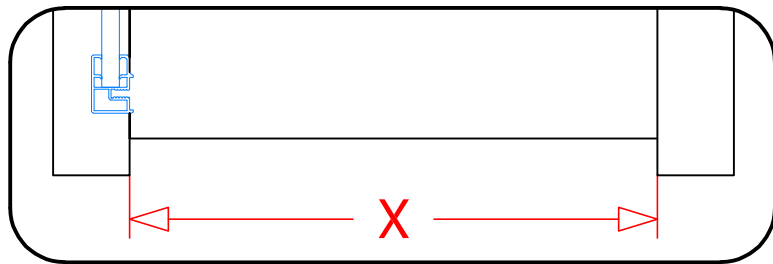
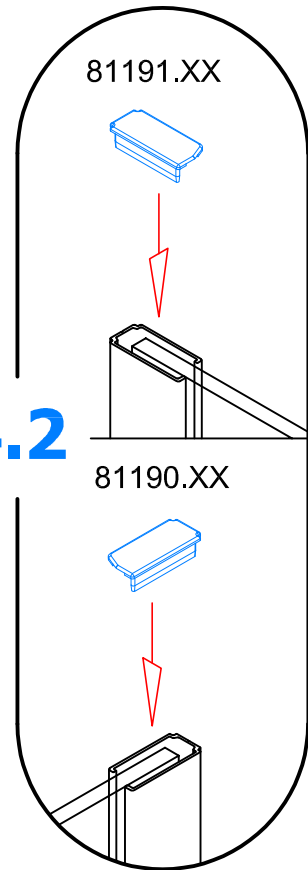
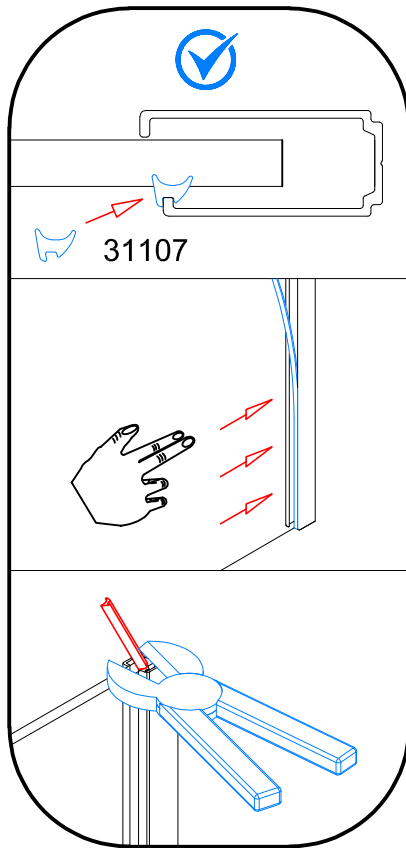
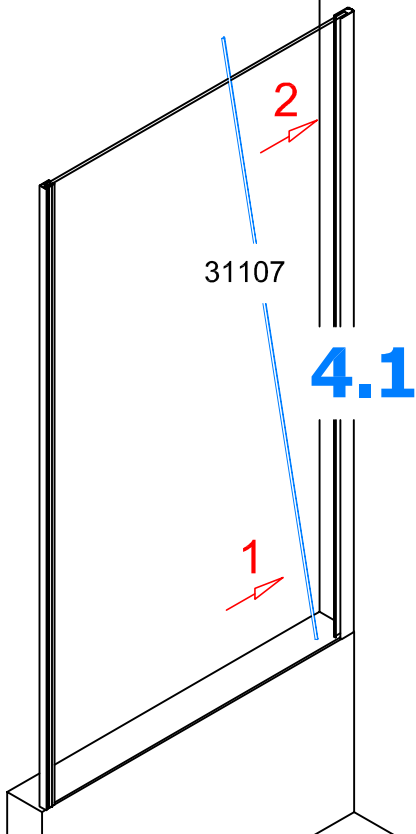
50322F1XX.XXXX



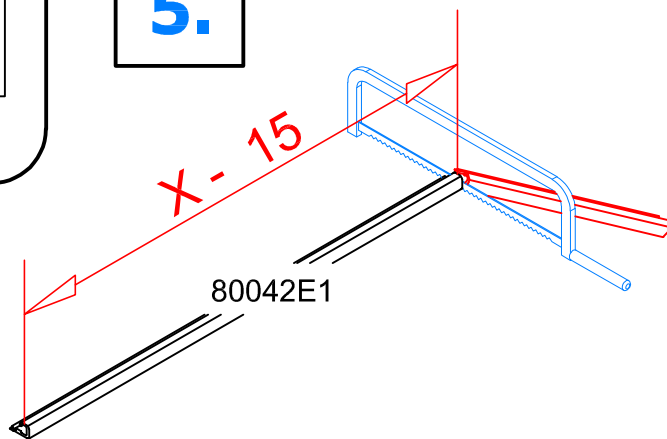
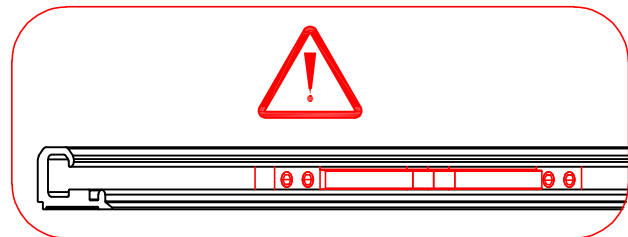
3.



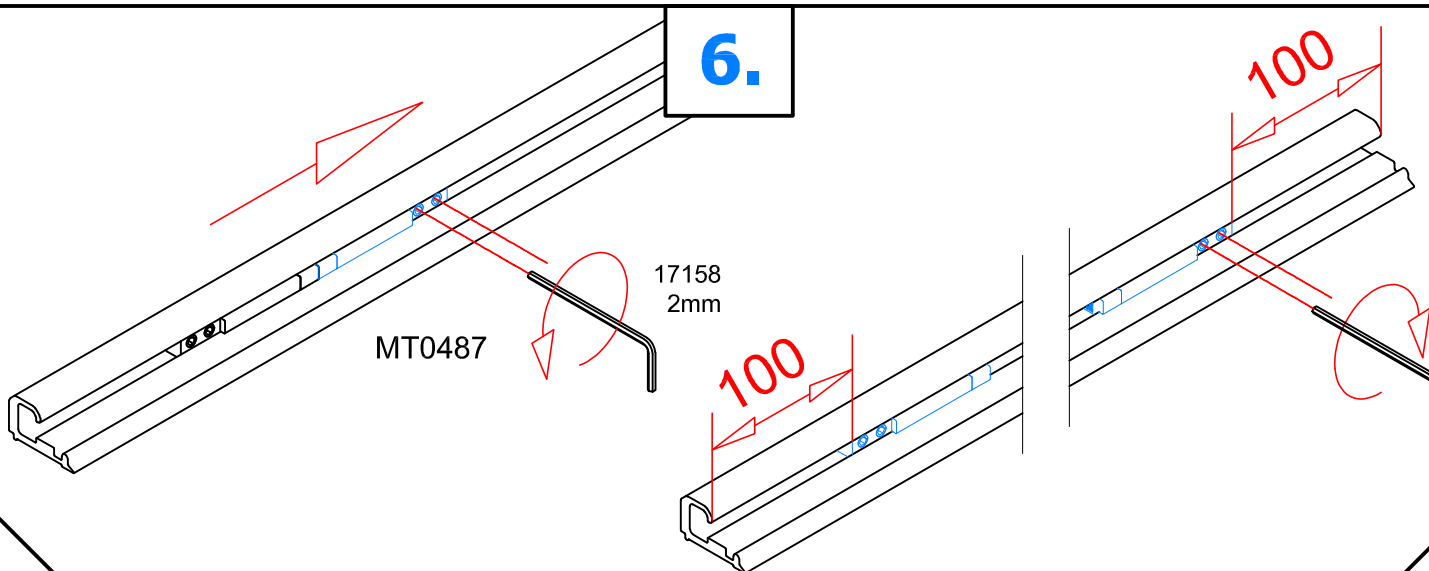
4.1 → 4.2



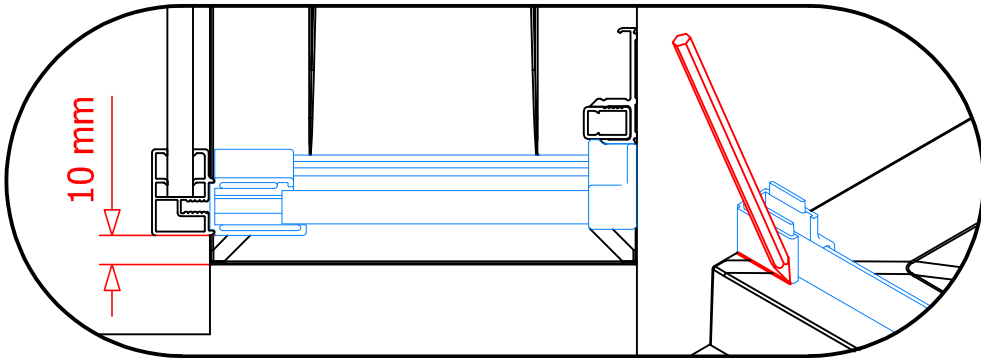
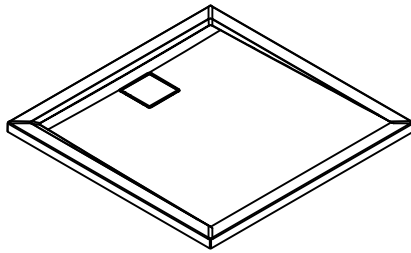
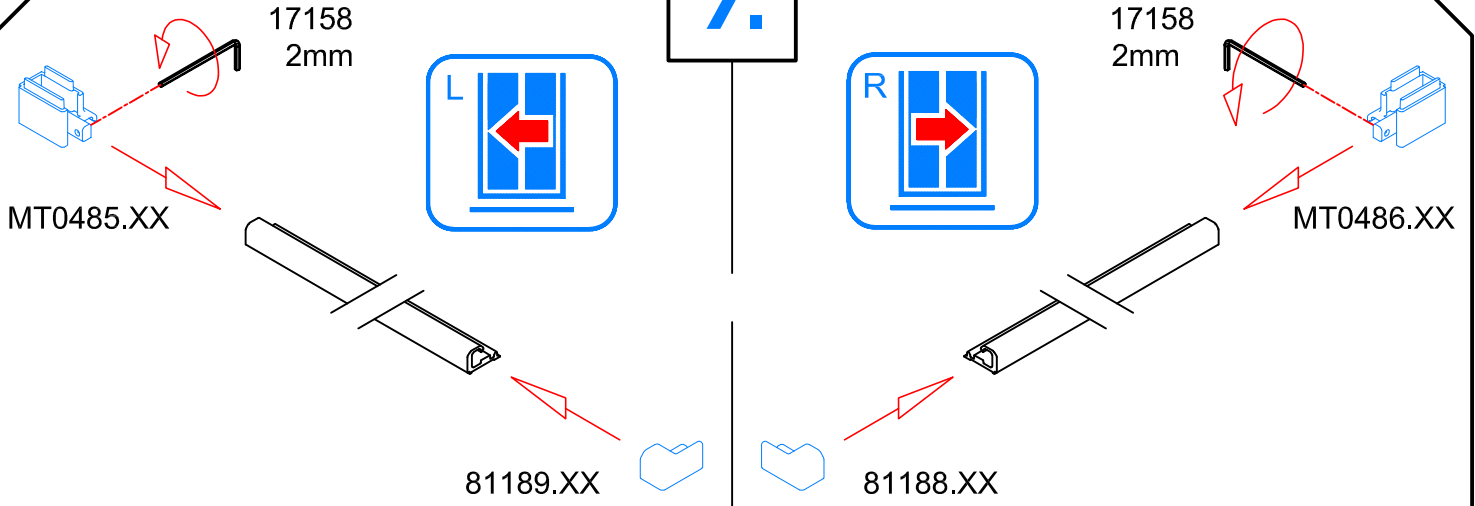
5.



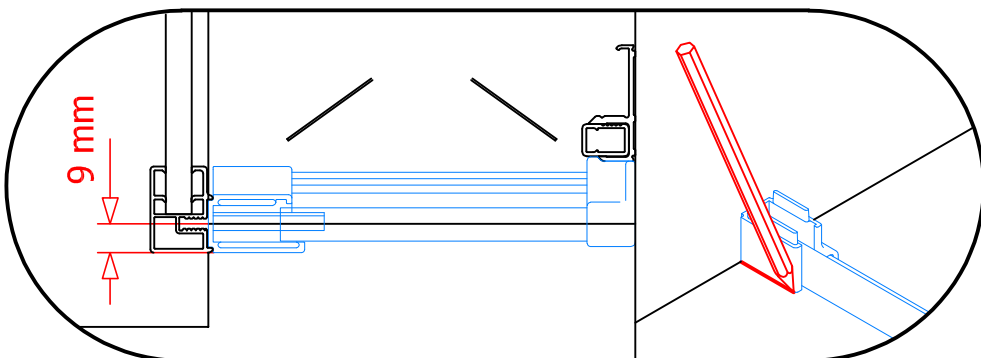
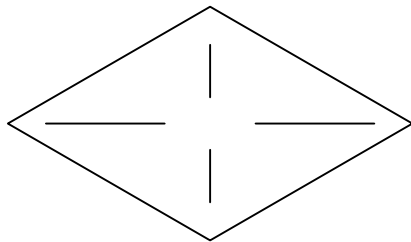
6.



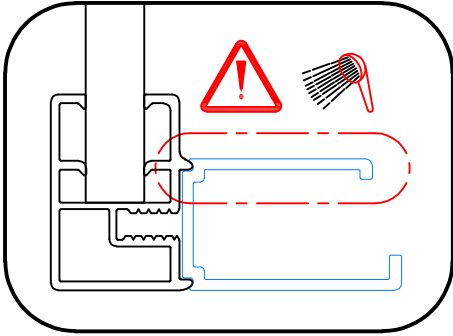
7.



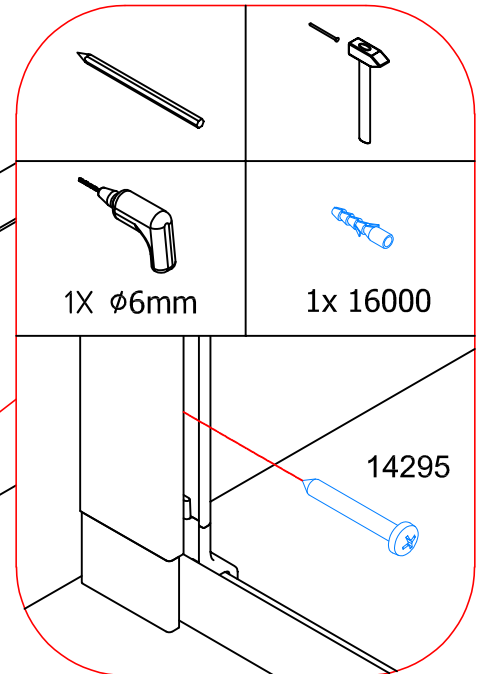
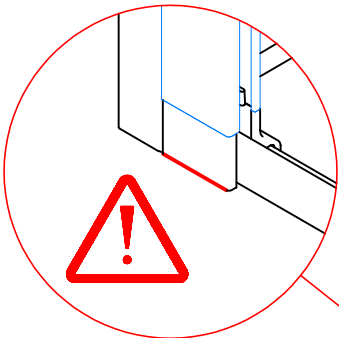
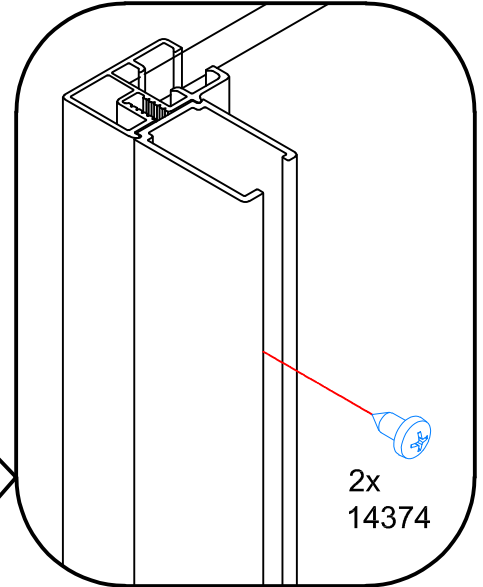
8.



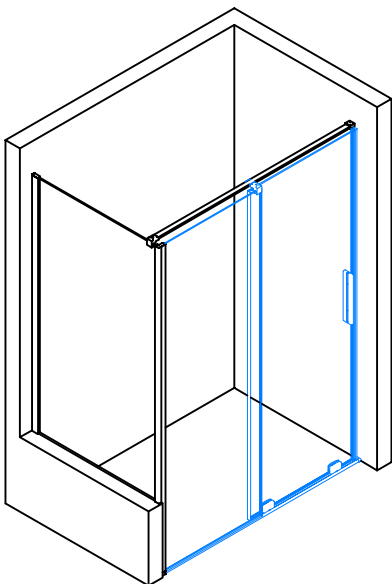
9.



80044F2



10.

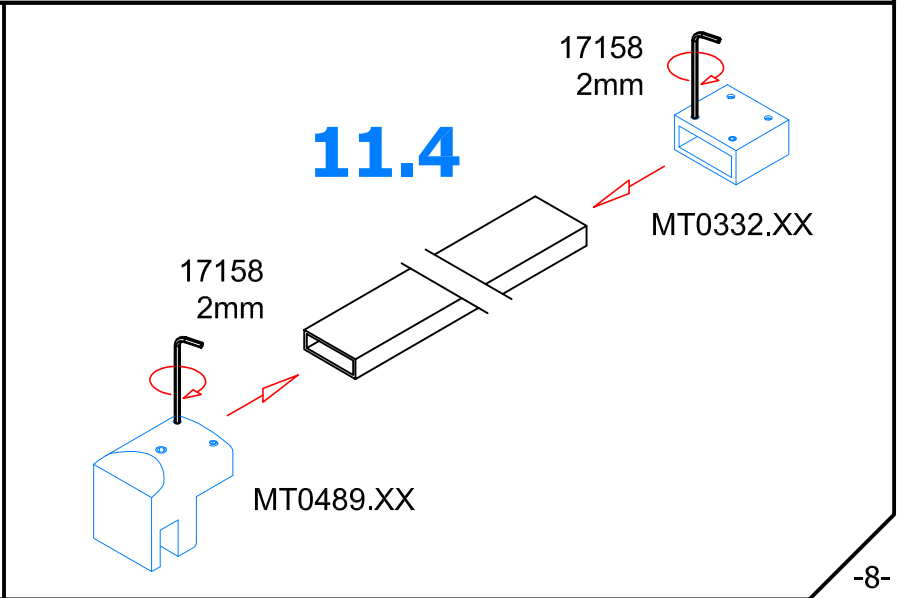
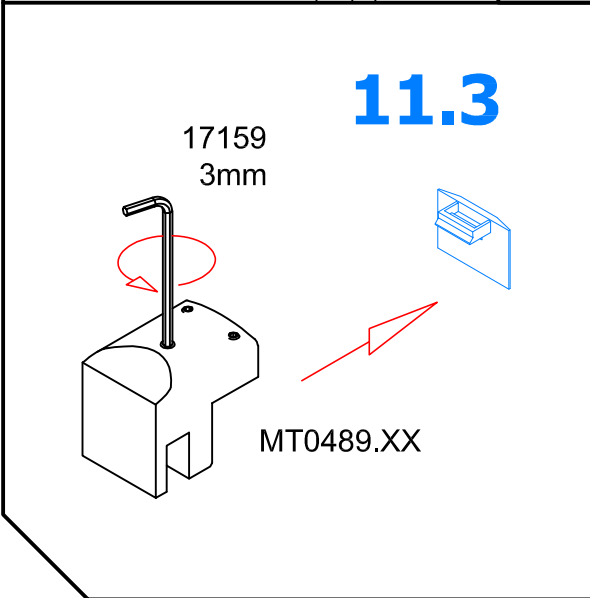
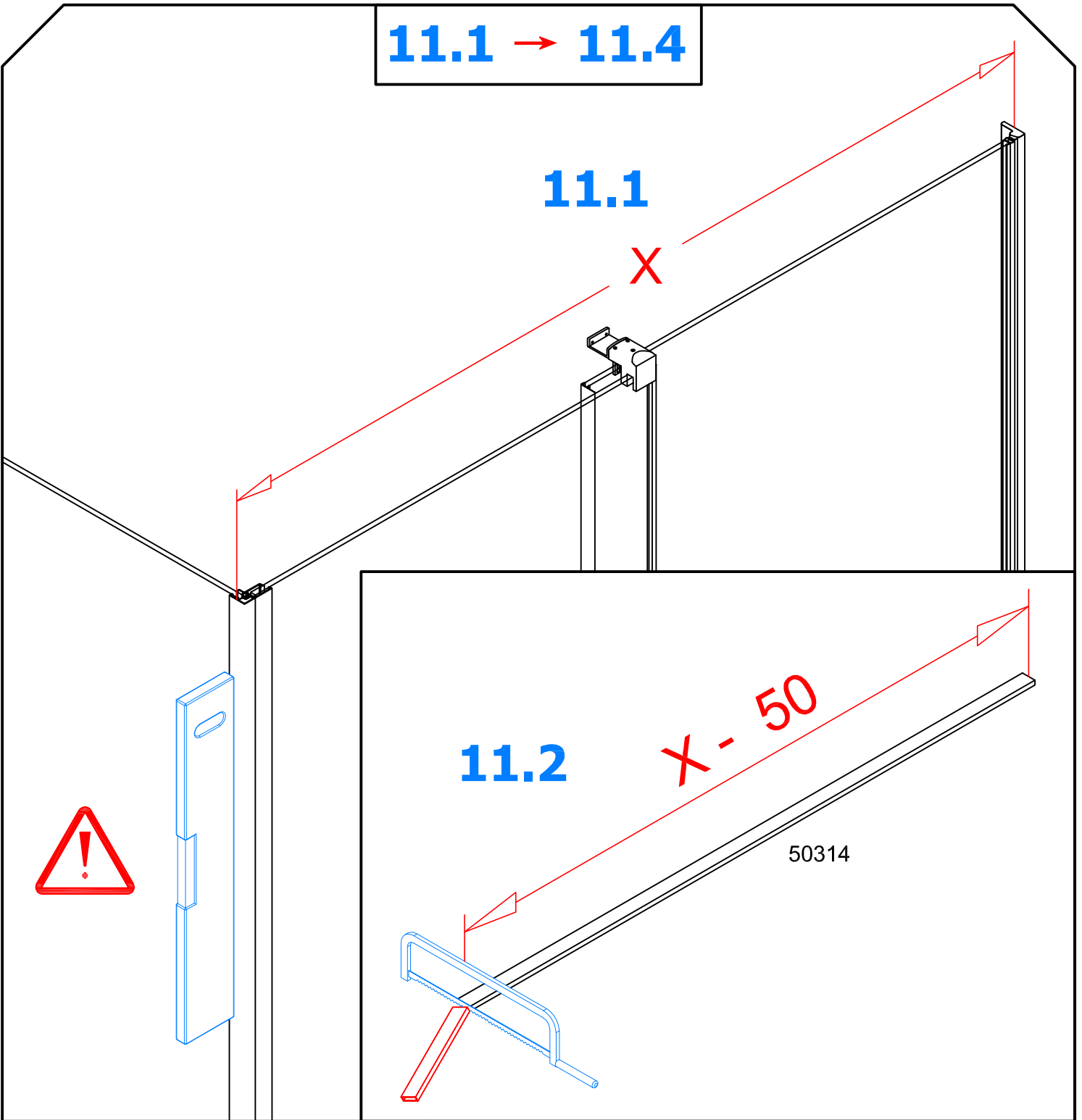


19818

?

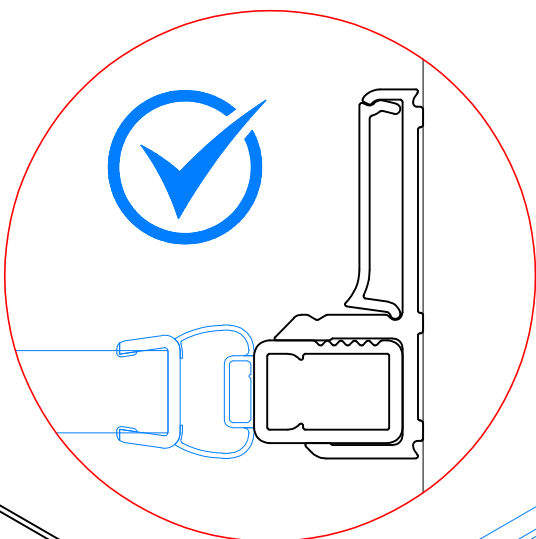
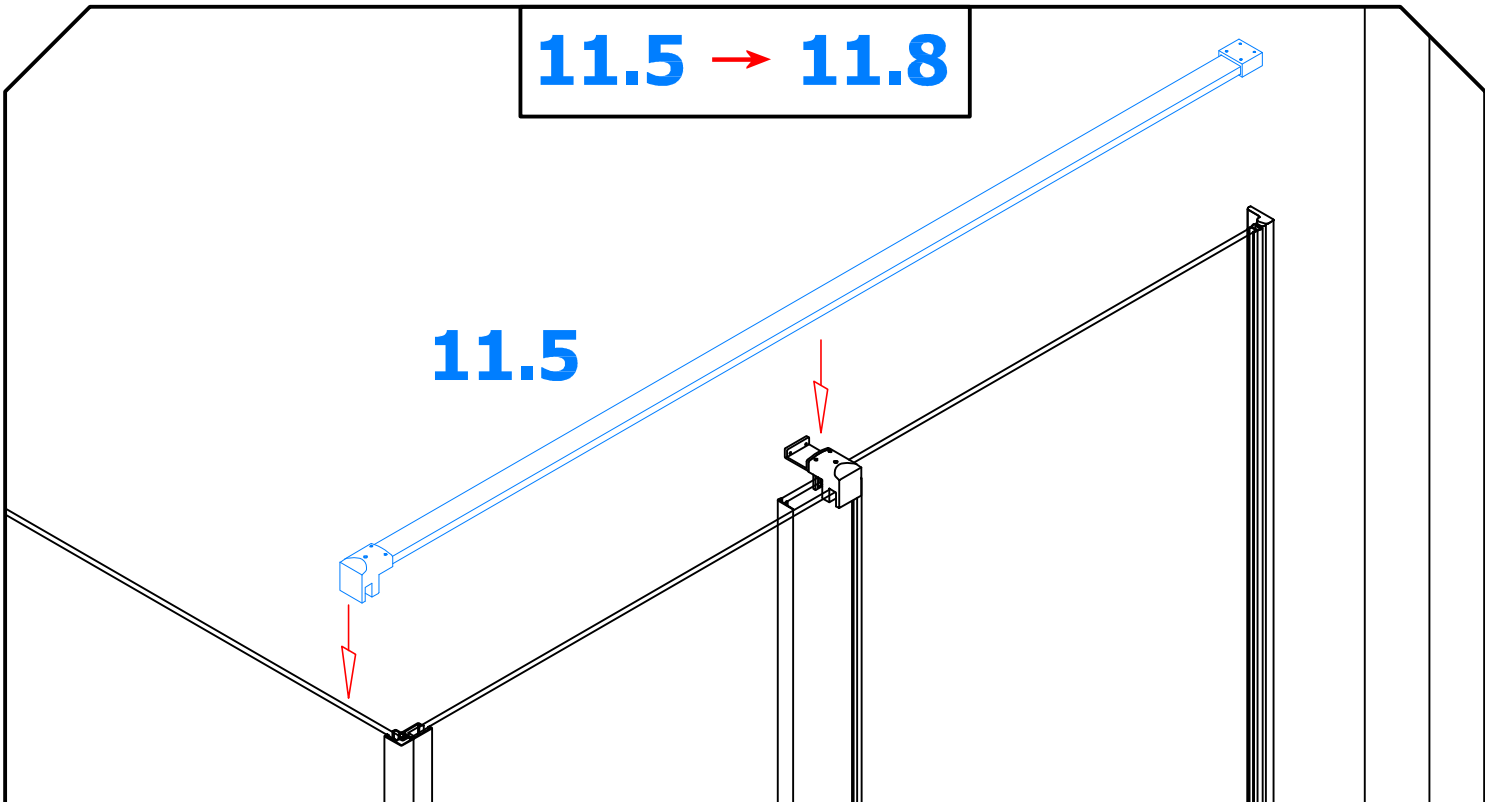
19832

11.1 → 11.4

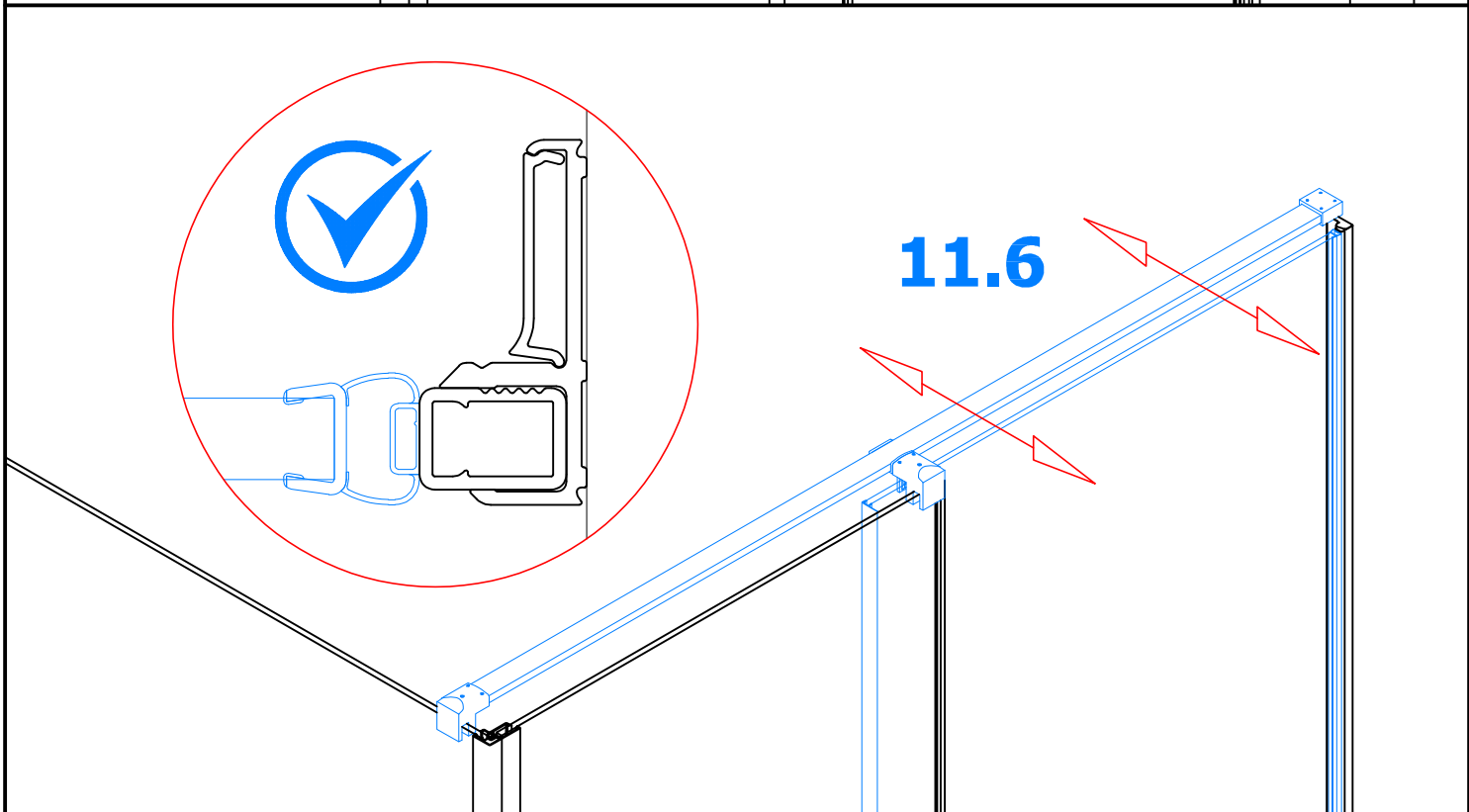


11.5 → 11.8

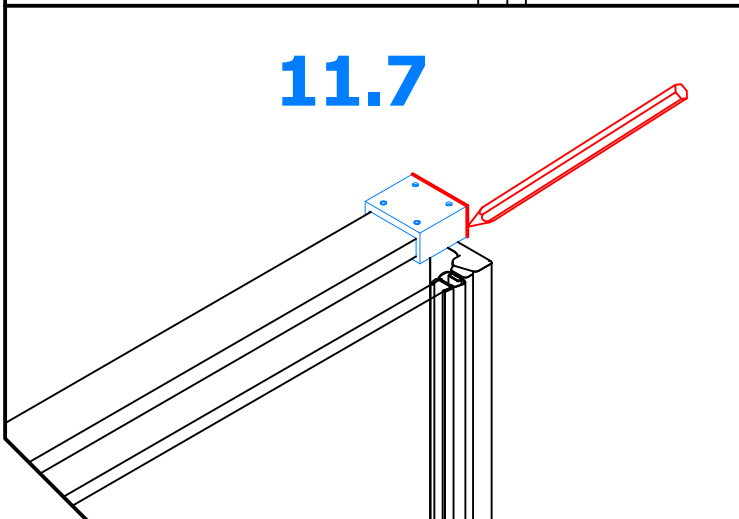
11.5



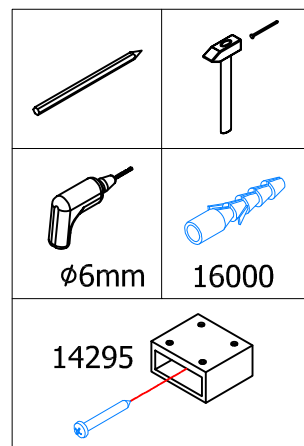
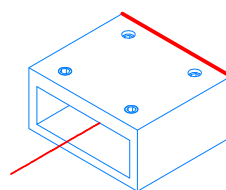
11.6



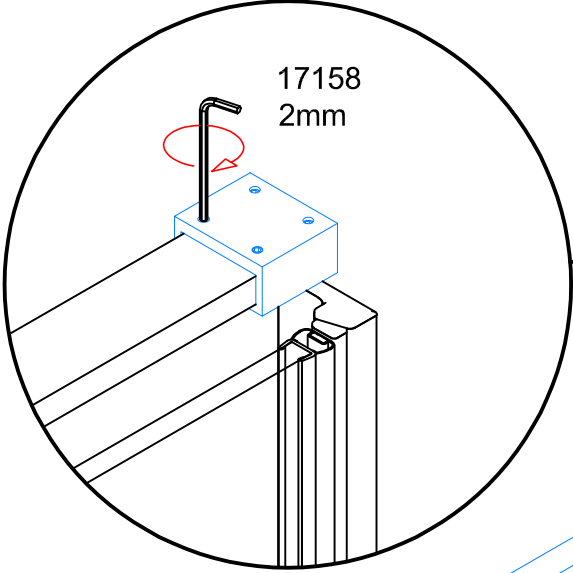
11.7



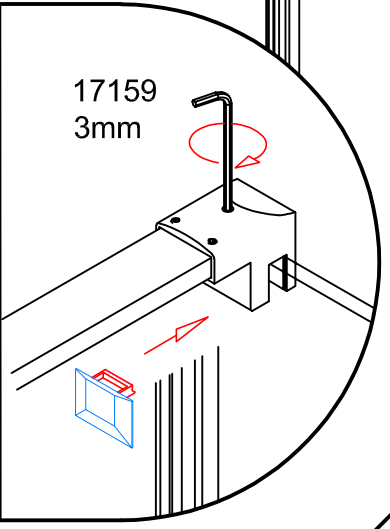
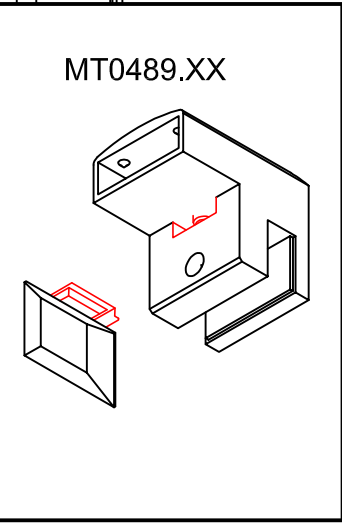
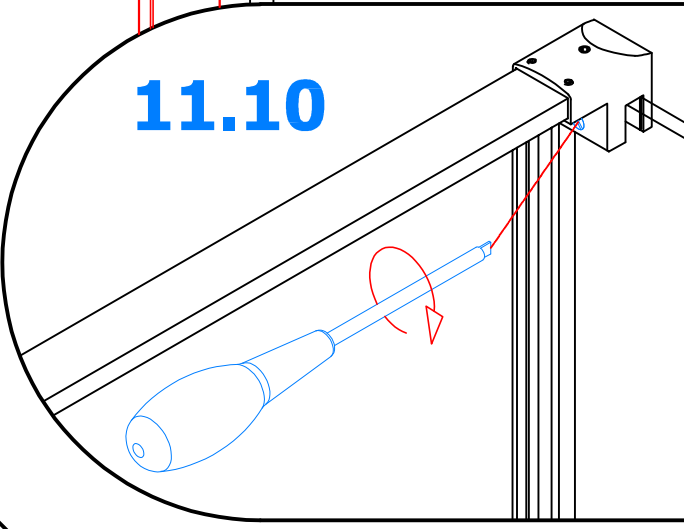
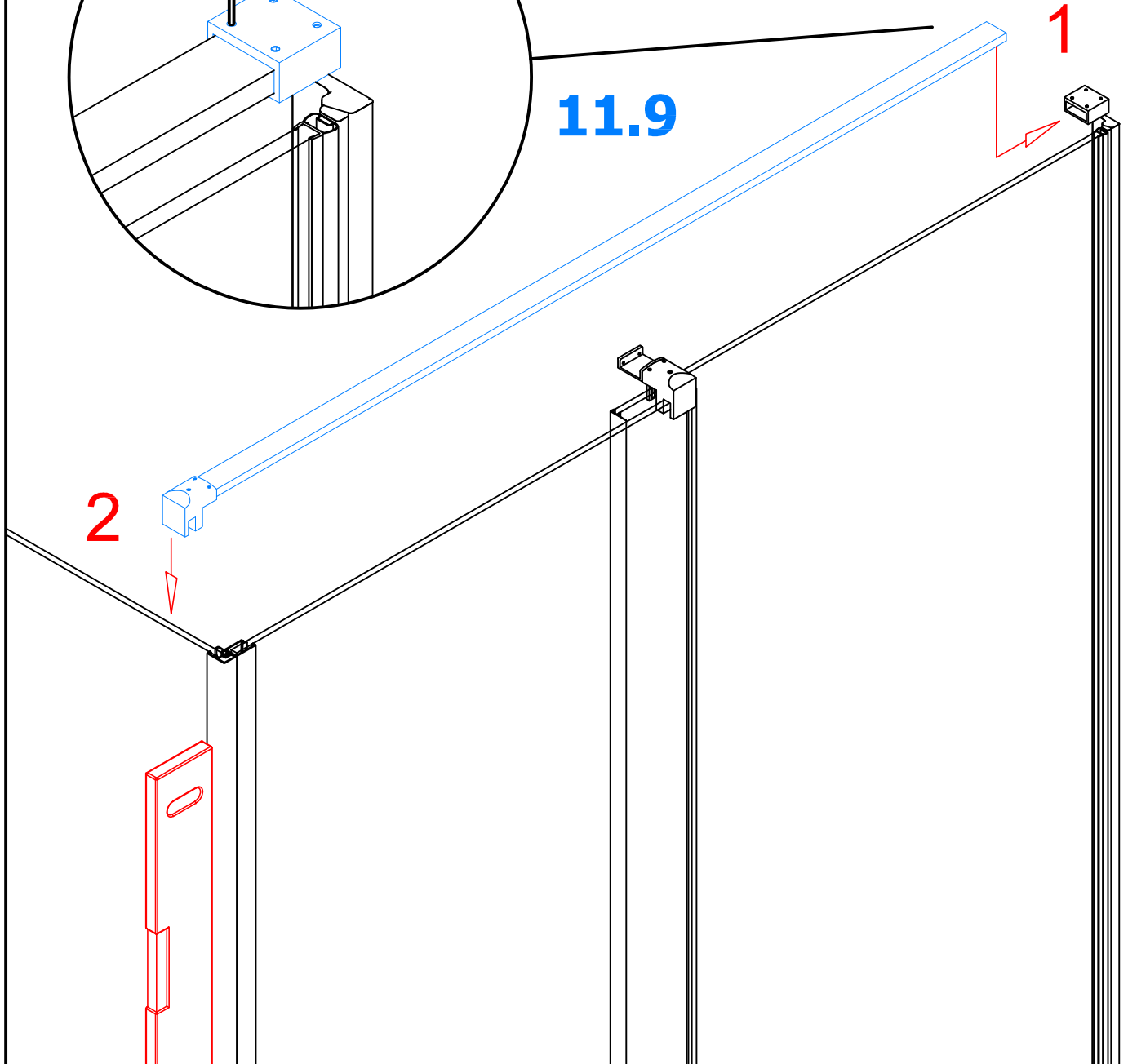
11.8



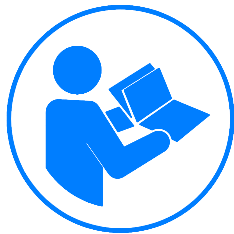
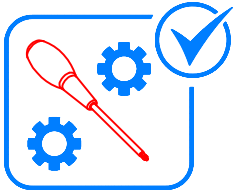
11.9 → 11.10



11.9



12.



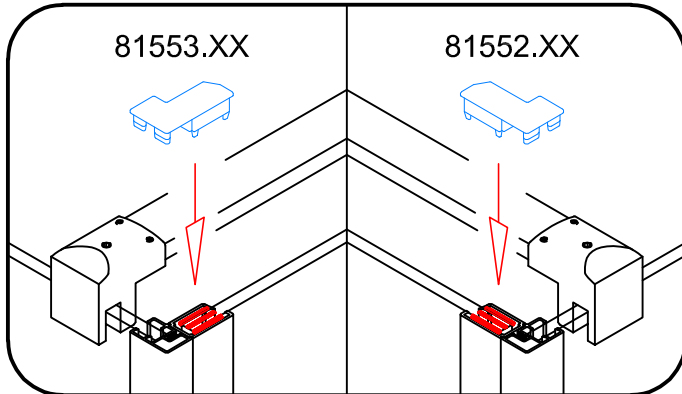
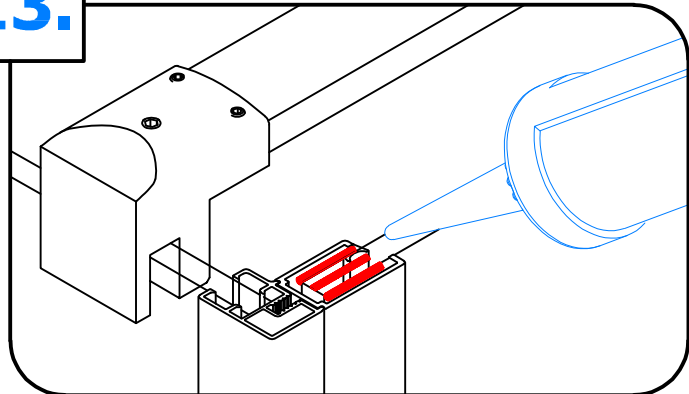
19818

?

P13 → P16

19832

13.



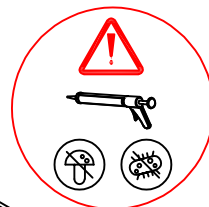
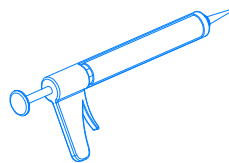
14.



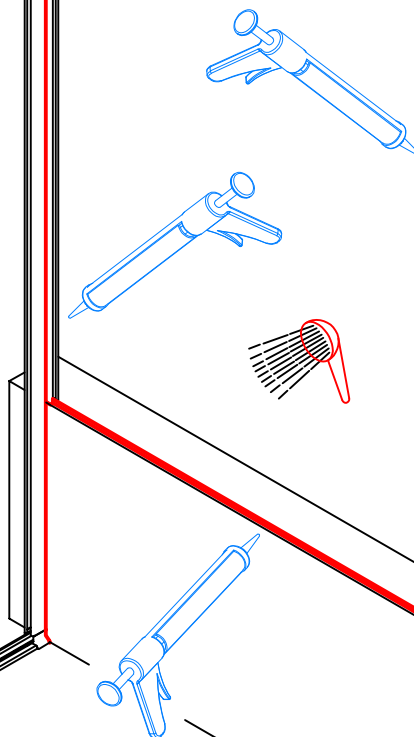
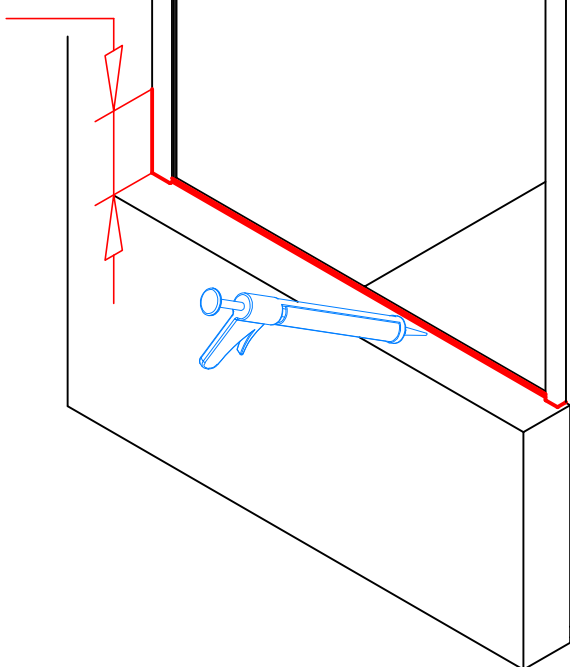
19818

?

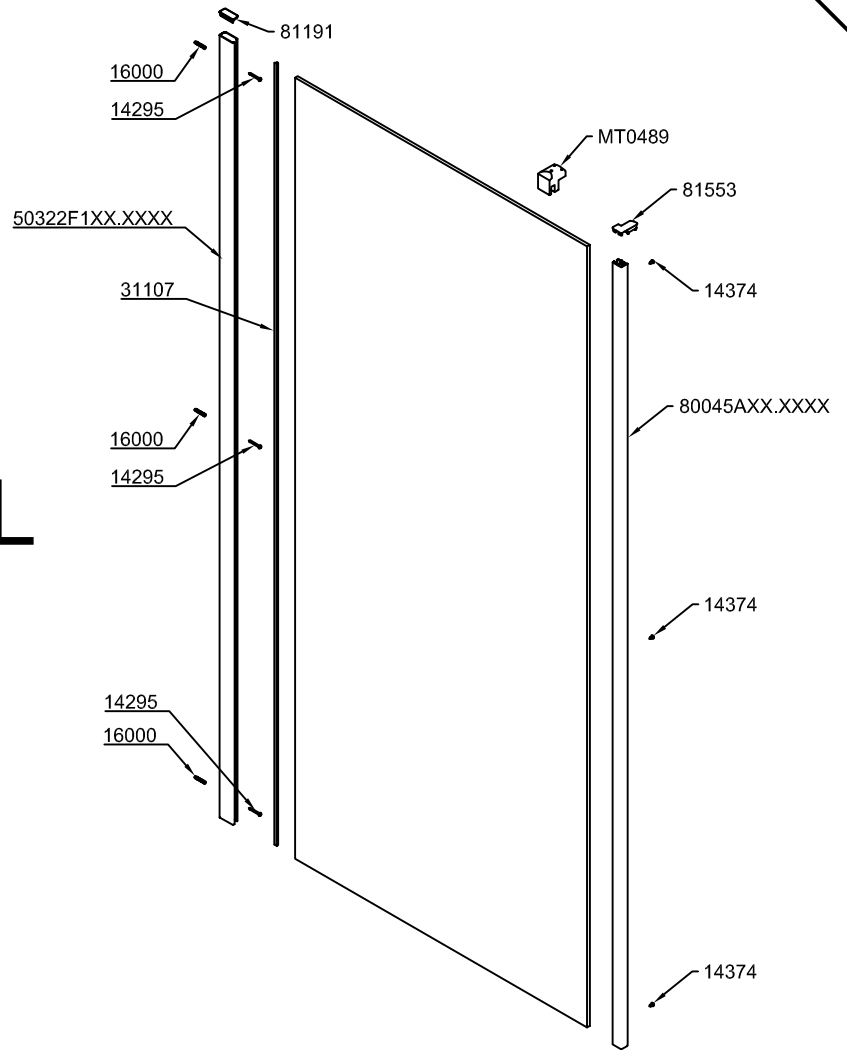
19832



5cm



D35F3V L ACD35F3V L



D35F3V R ACD35F3V R

