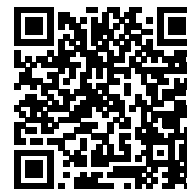


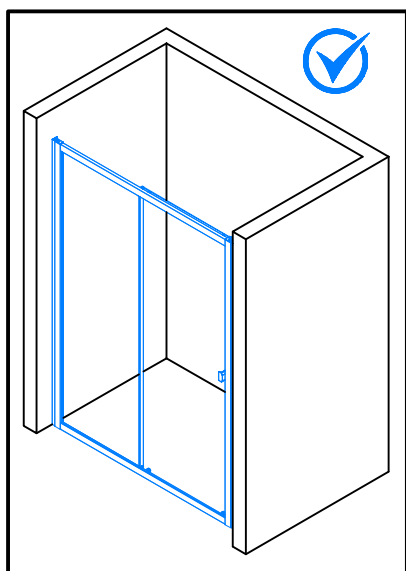
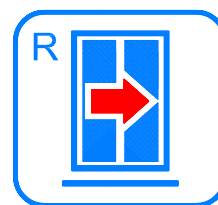
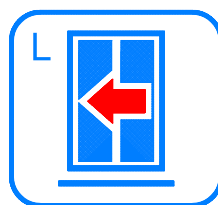
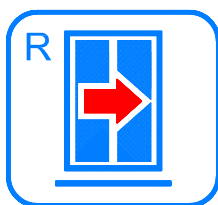
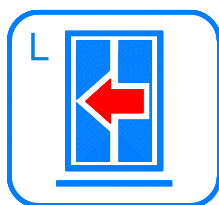
19800



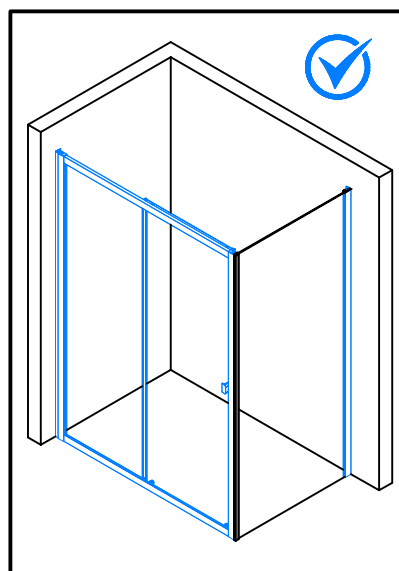
D20S2



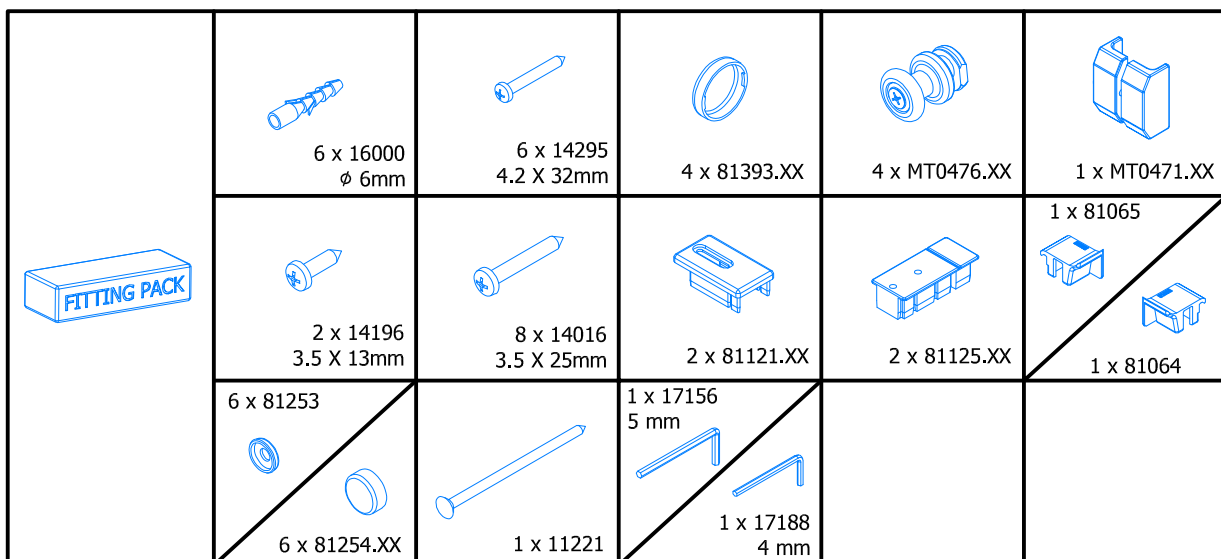
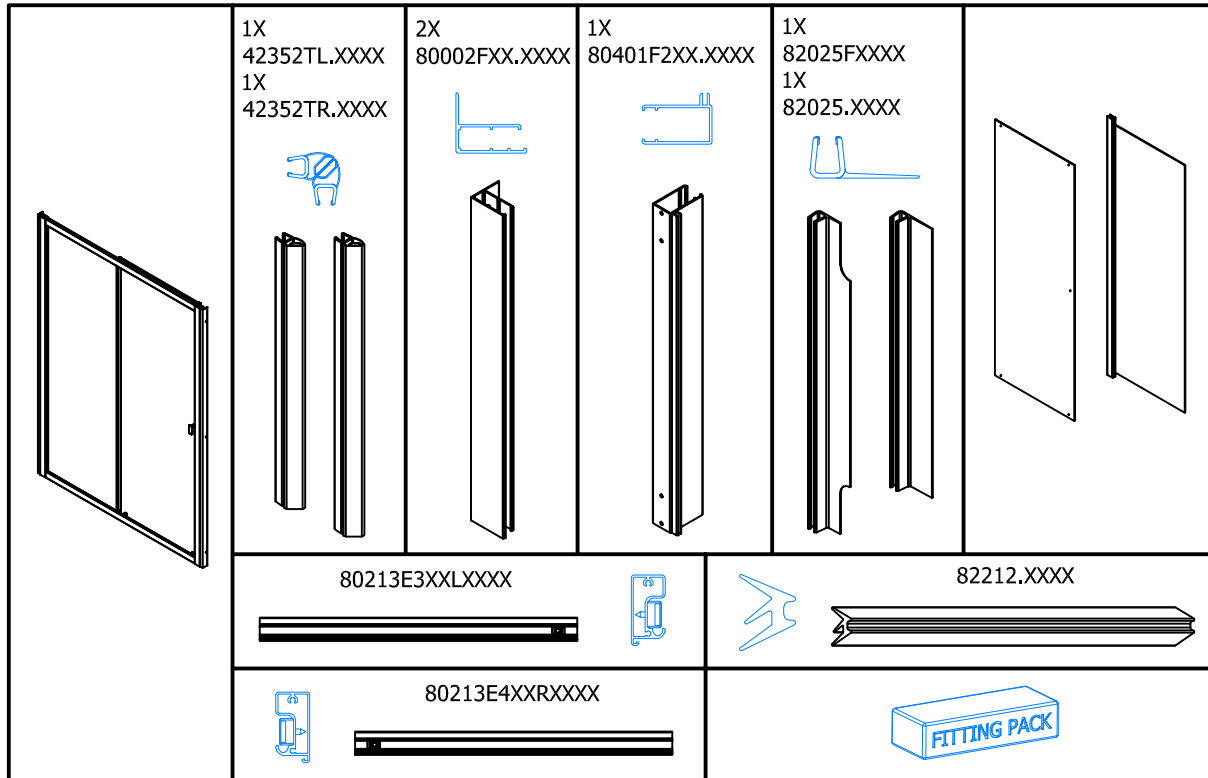
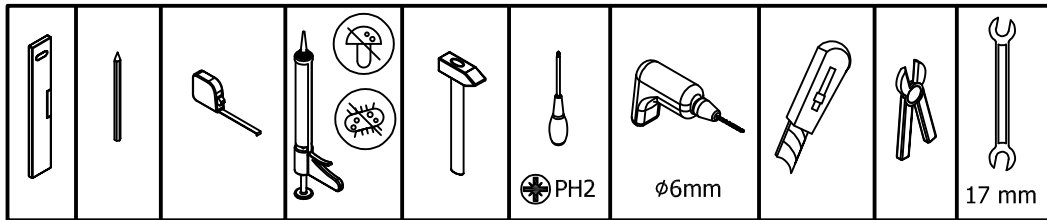
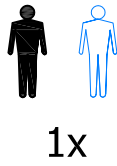
D20S2 + D20F1

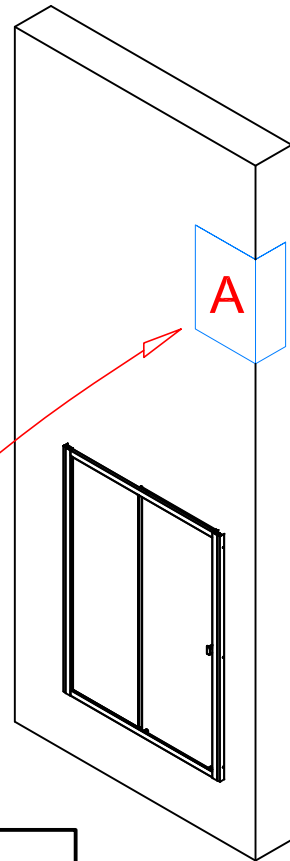
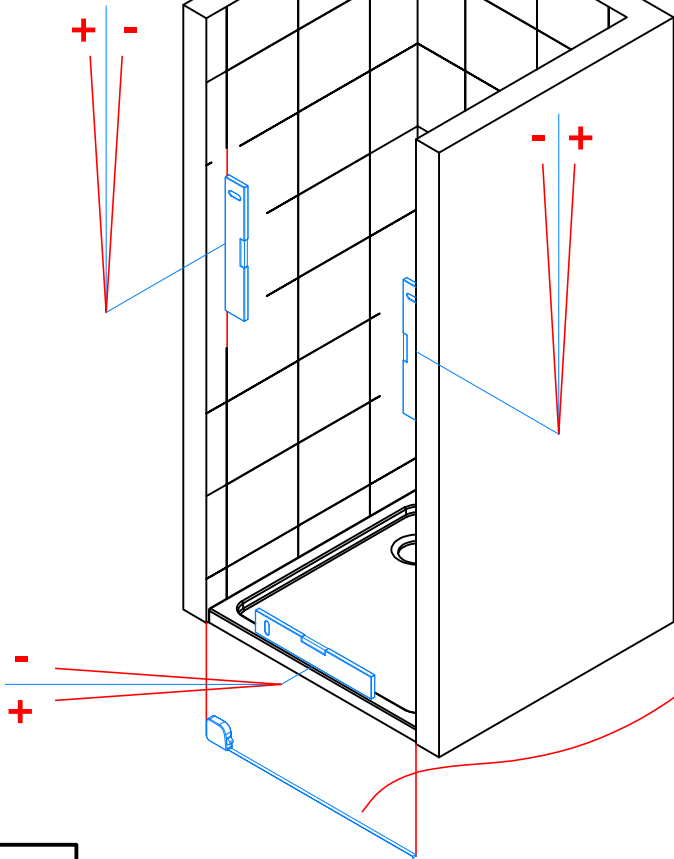


P1. → P12.



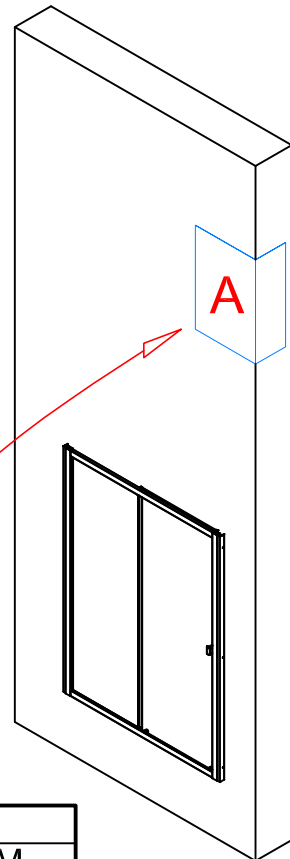
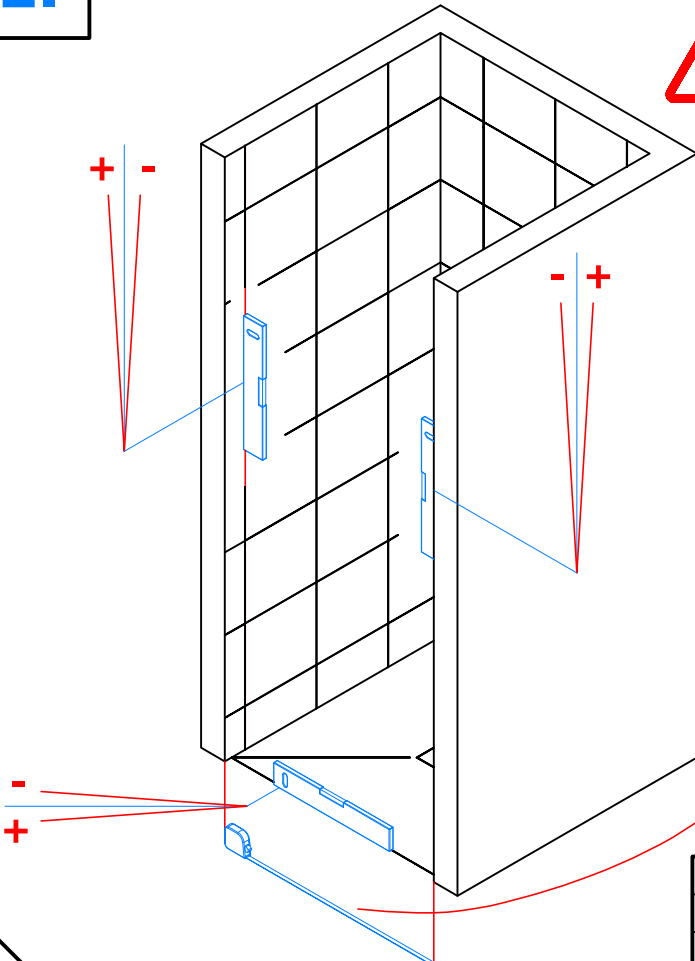
P13. → P27.



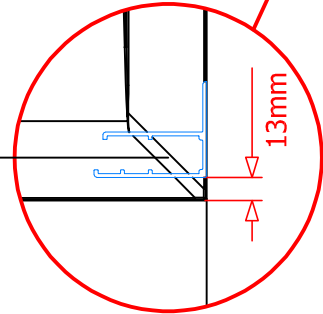
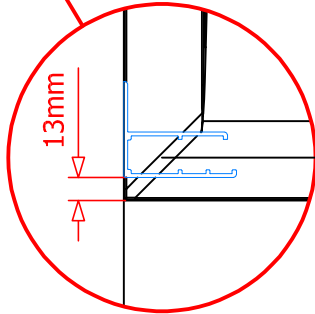
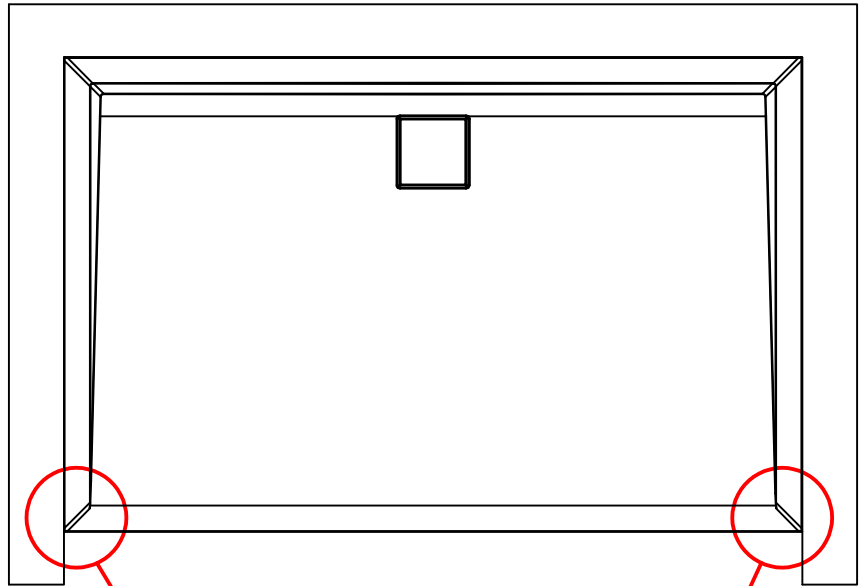
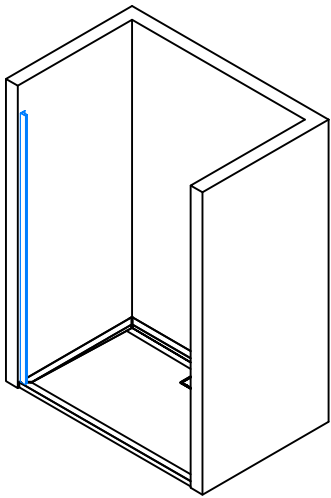


A	
STD	SM
-40 ; +20	-20 ; +40

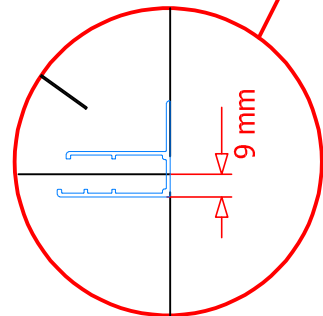
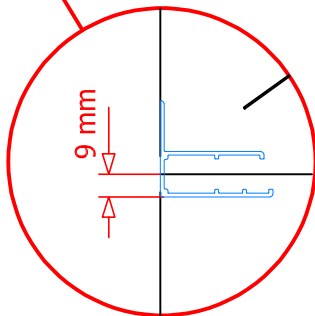
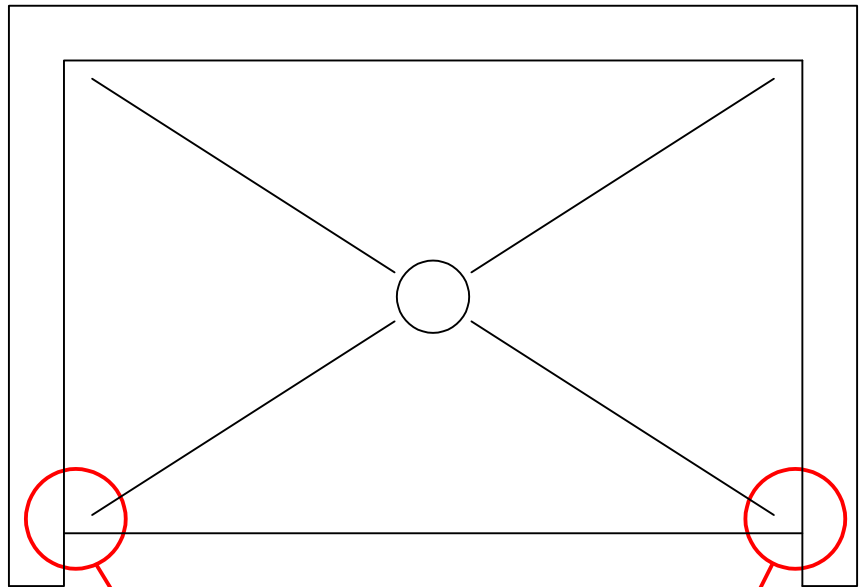
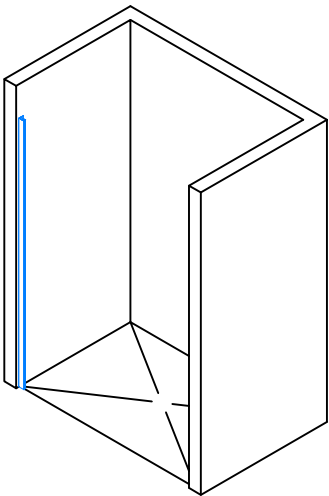
1.



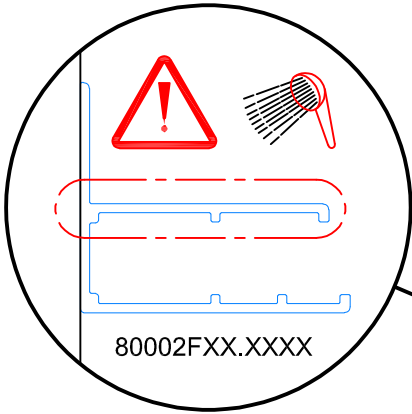
A	
STD	SM
-40 ; +20	-20 ; +40



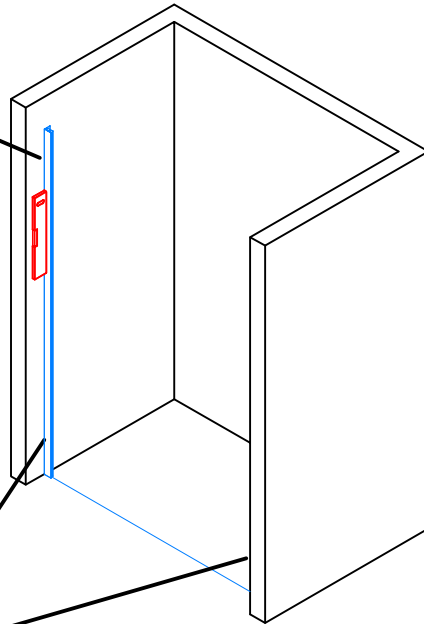
2.



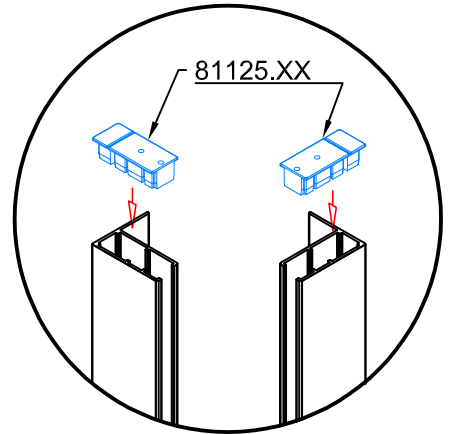
3.1 → 3.4



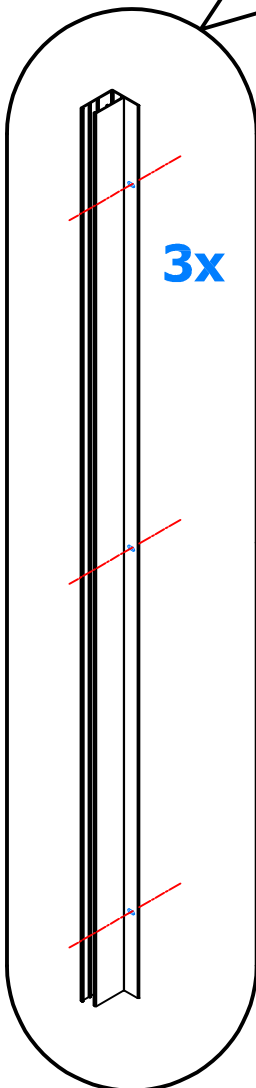
3.1



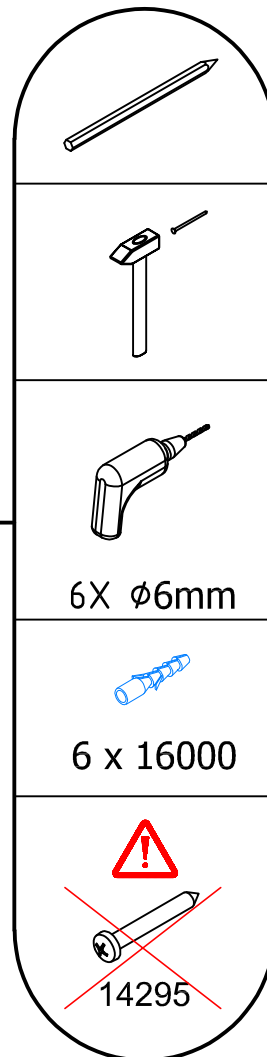
3.2



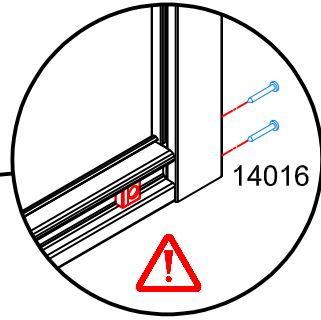
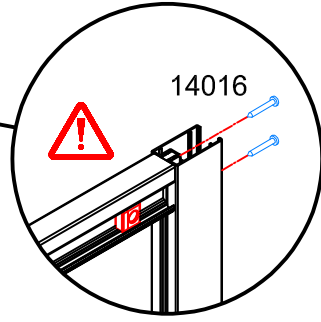
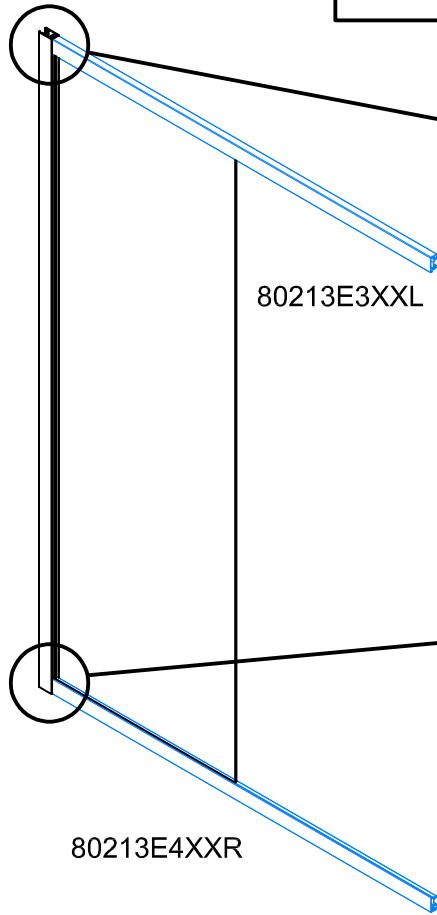
3.4



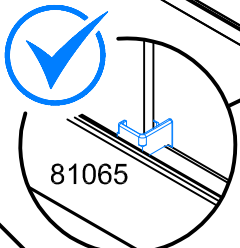
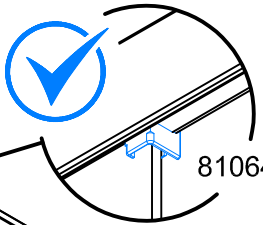
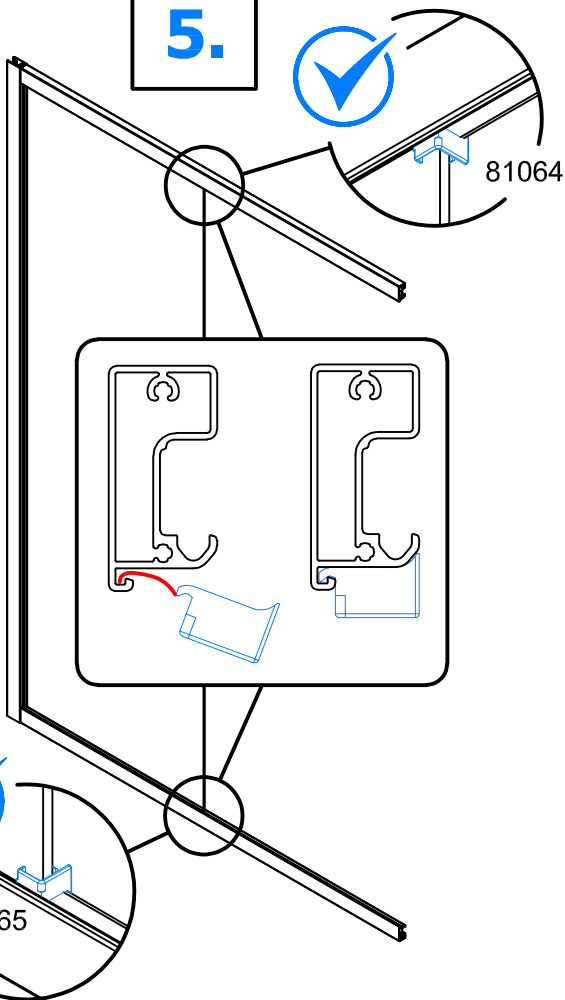
3.3



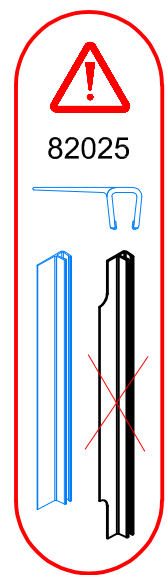
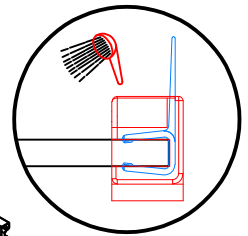
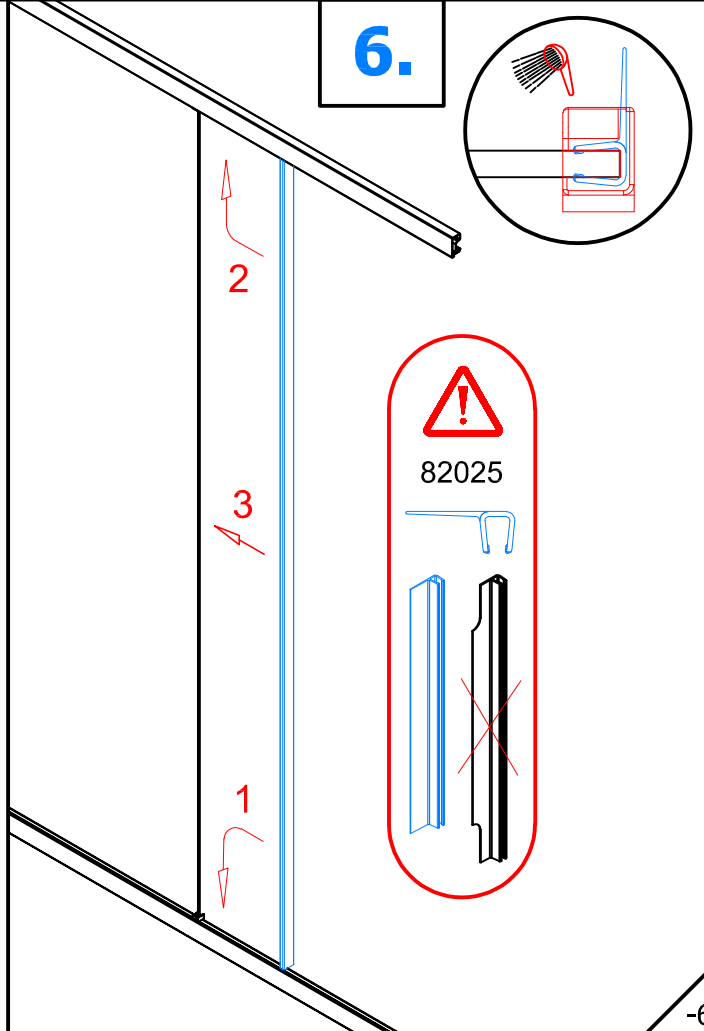
4.



5.



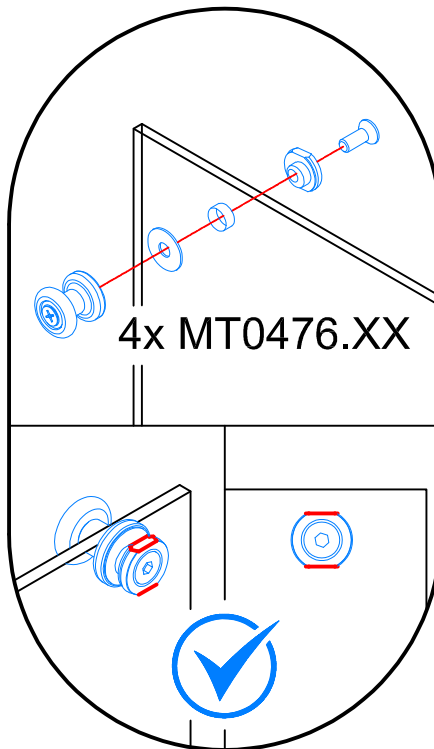
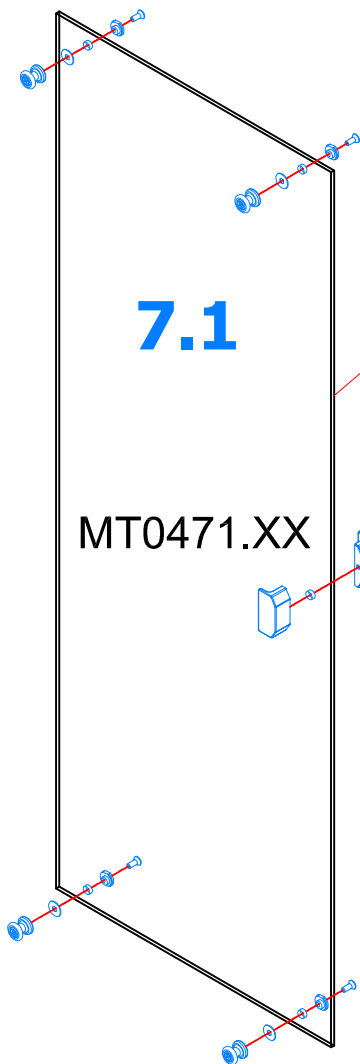
6.



7.1 → 7.2

7.1

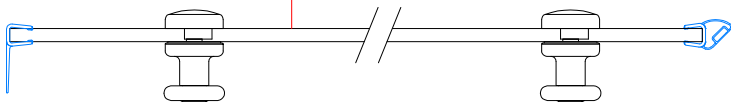
MT0471.XX



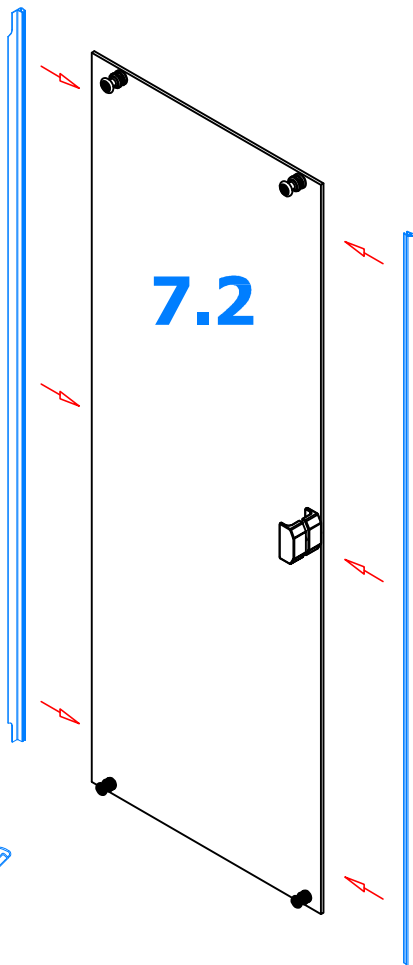
4x MT0476.XX



82025F



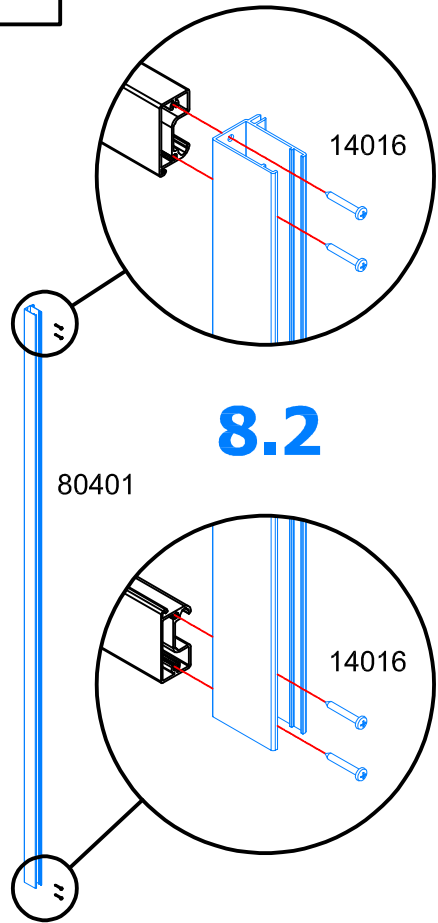
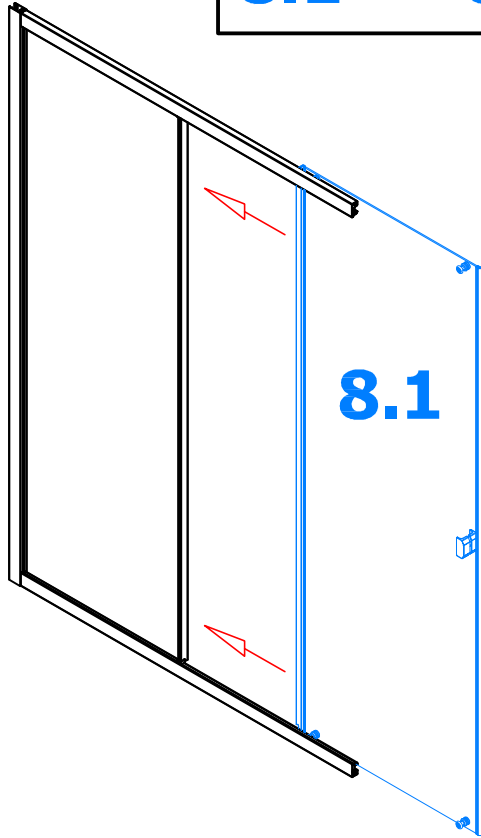
7.2



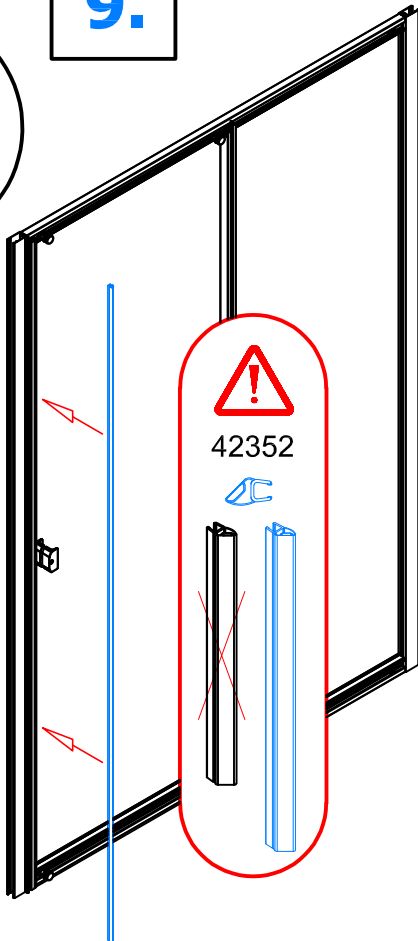
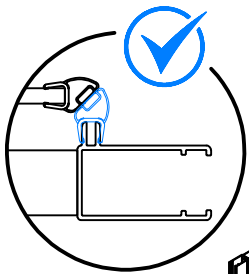
42352



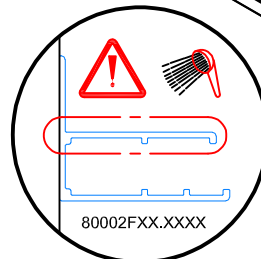
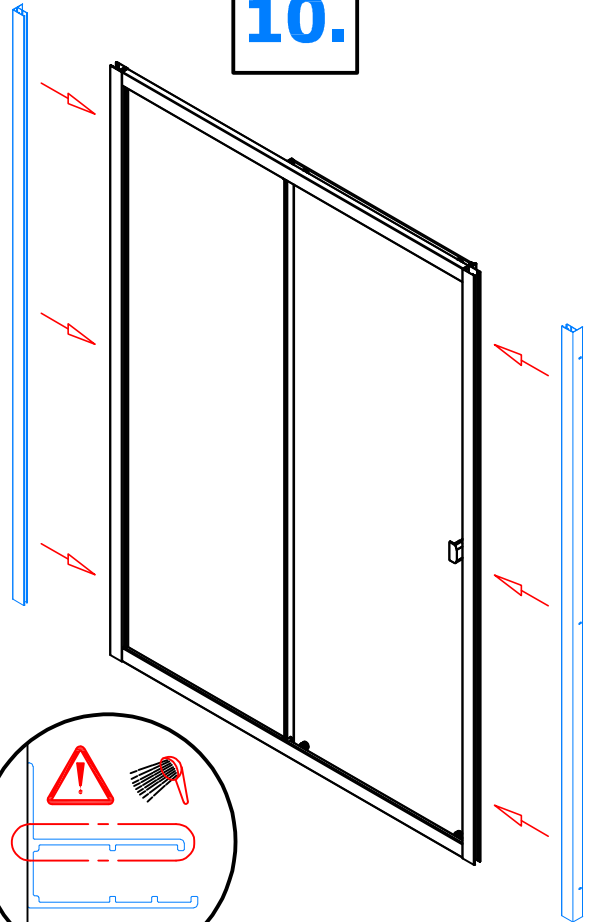
8.1 → 8.2



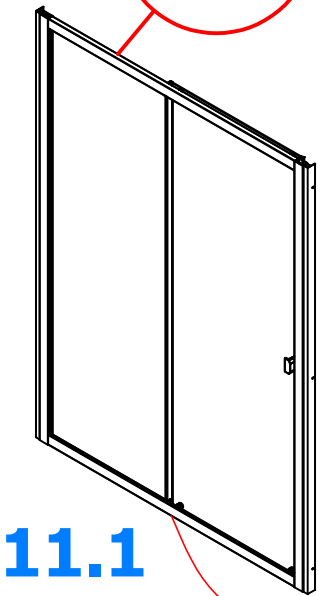
9.



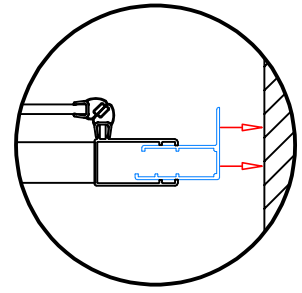
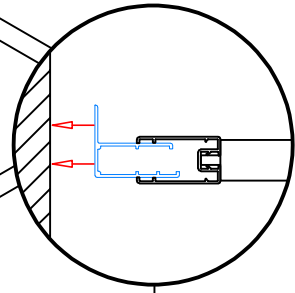
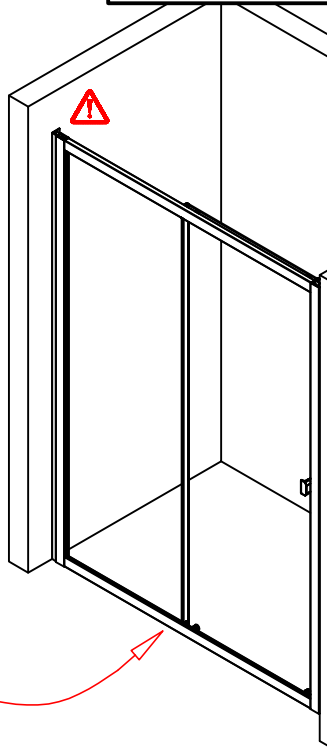
10.



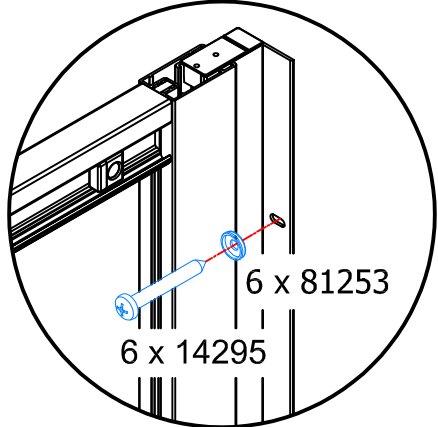
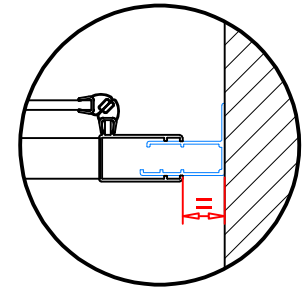
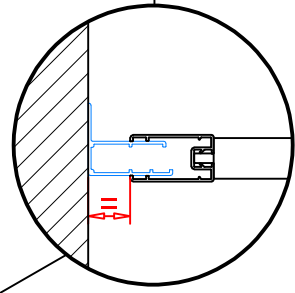
11.1 → 11.3



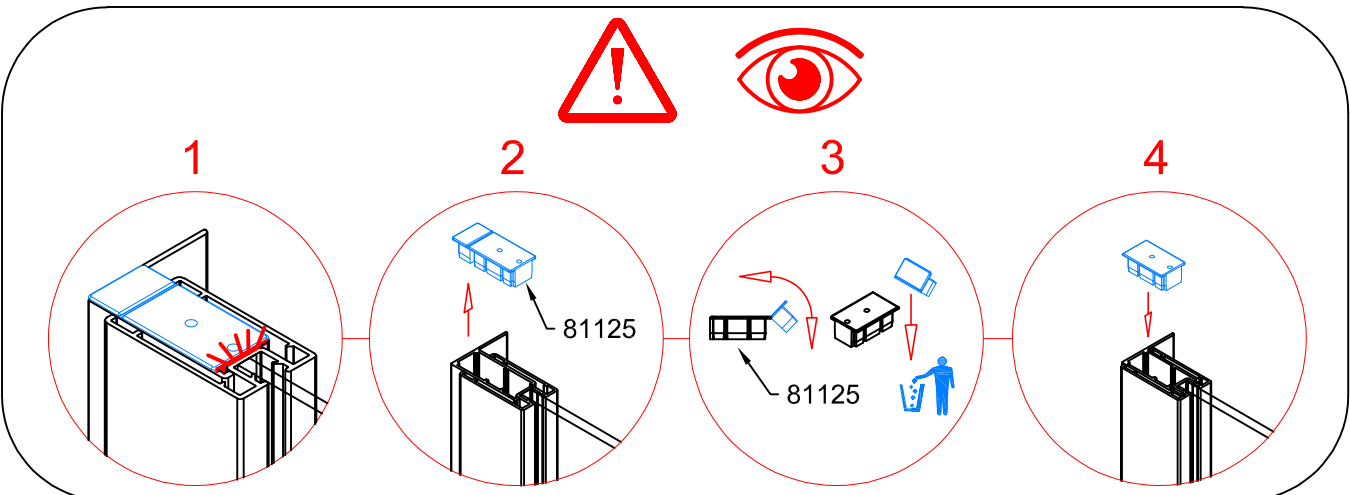
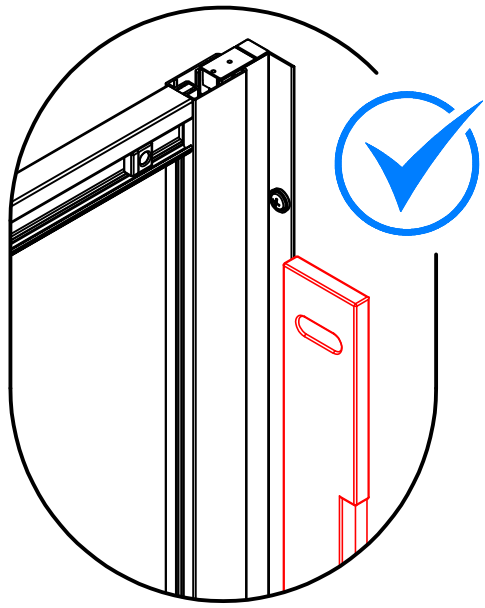
11.1



11.2

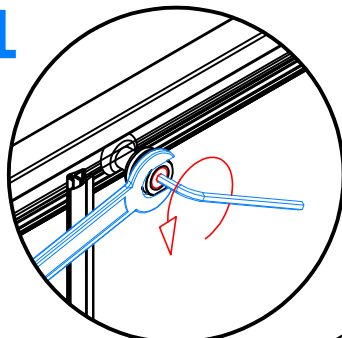


11.3

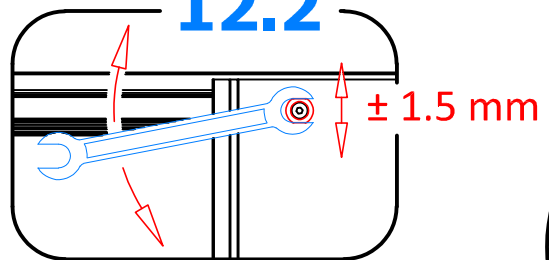


12.1 → 12.5

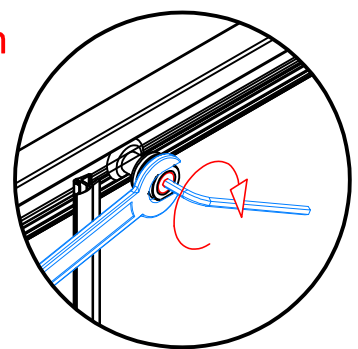
12.1



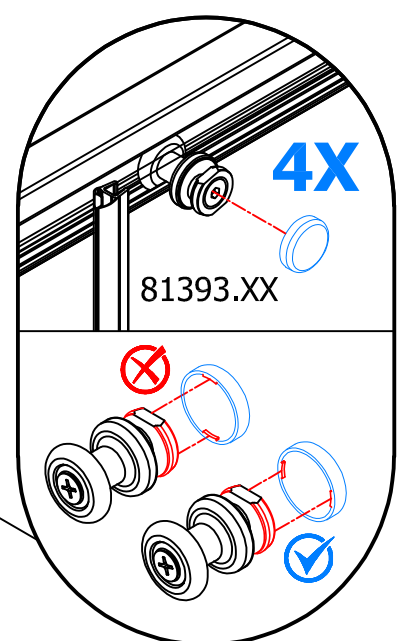
12.2



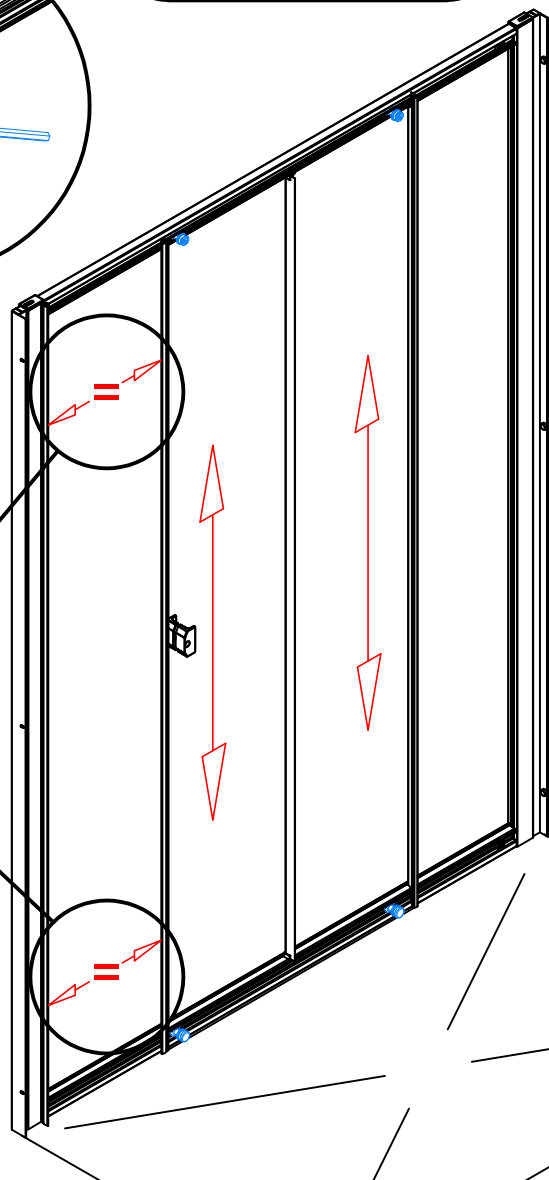
12.4



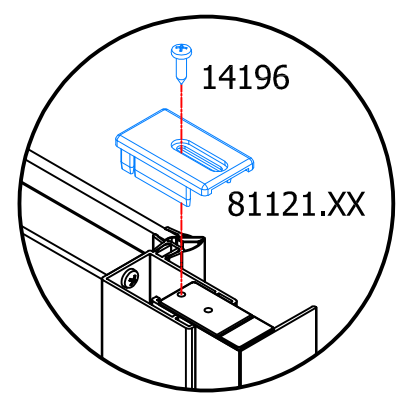
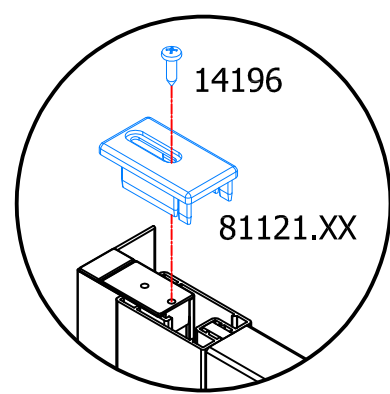
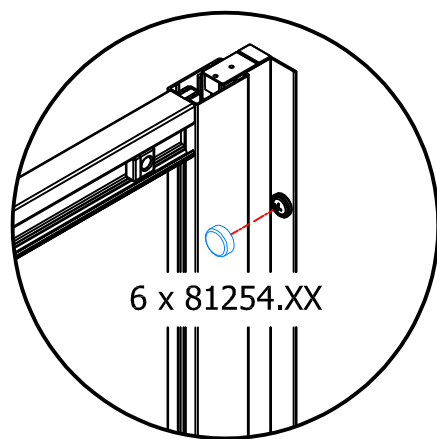
12.5



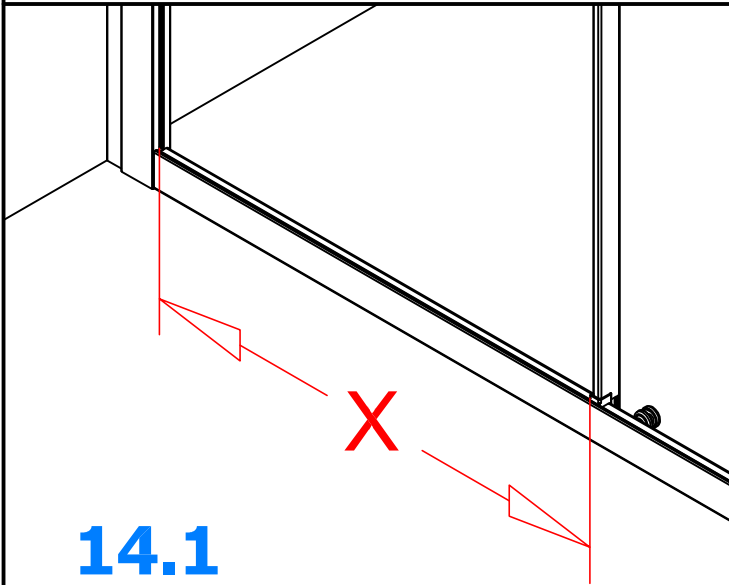
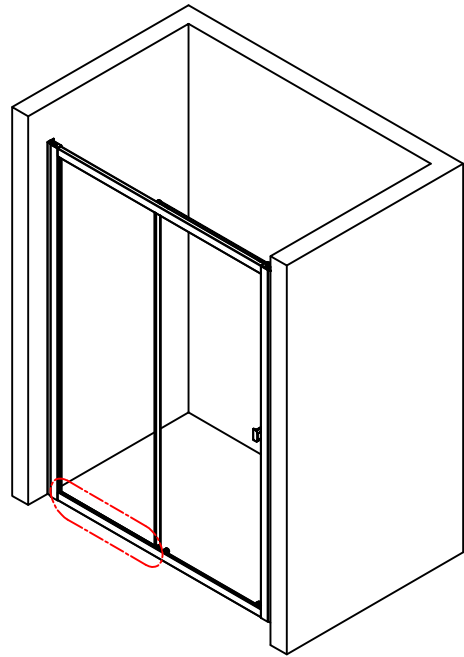
12.3



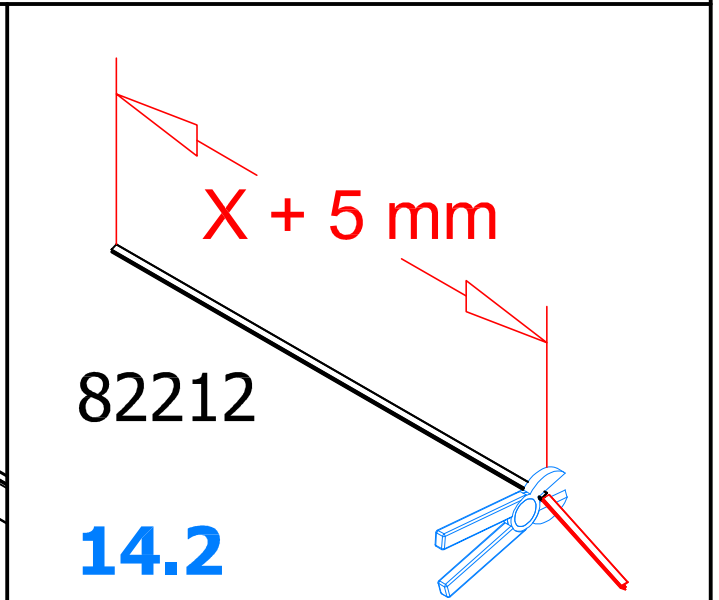
13.



14.1 → 14.4

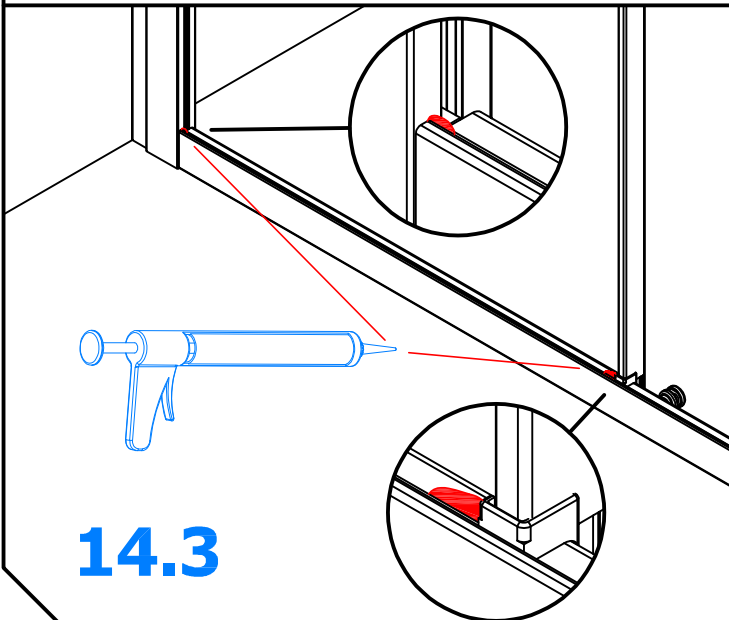


14.1

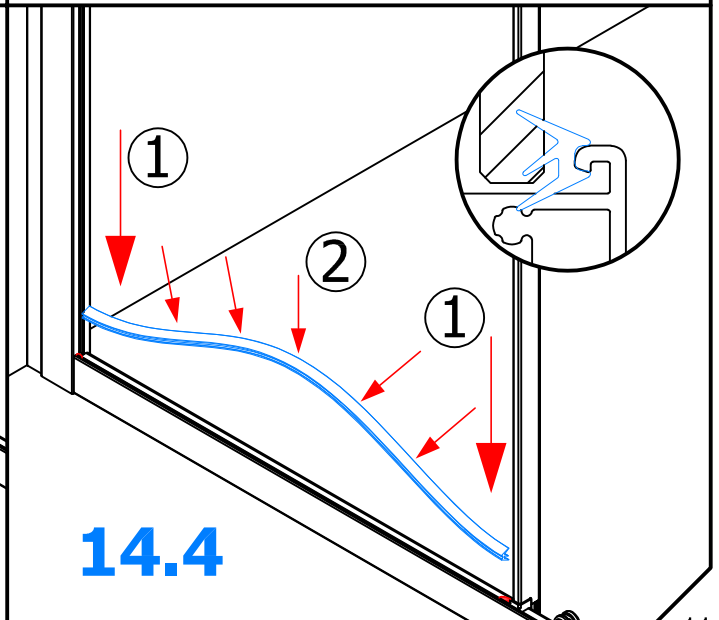


82212

14.2

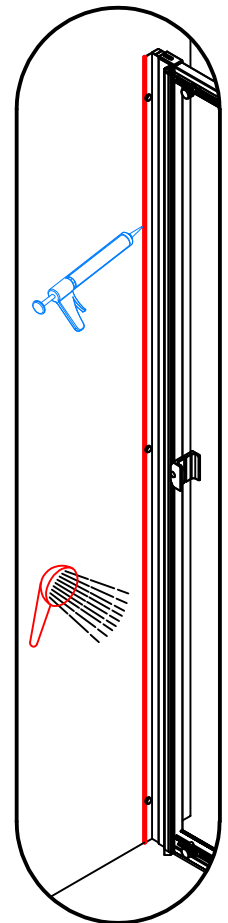
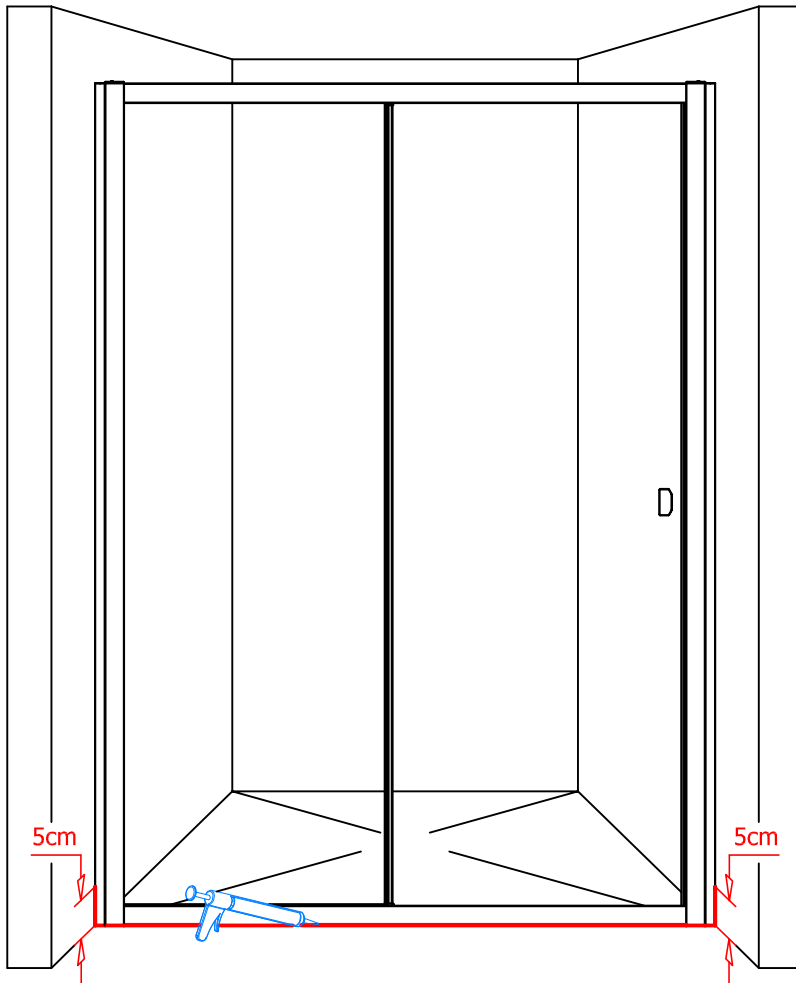
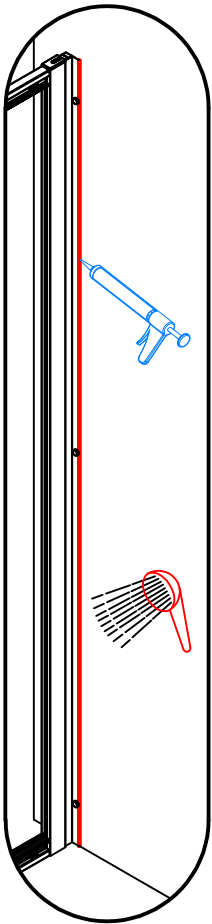
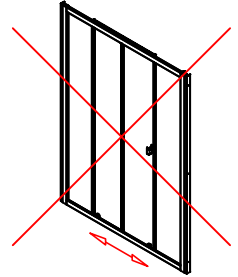
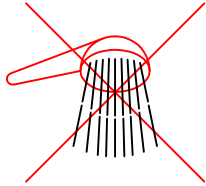
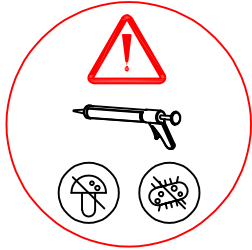


14.3



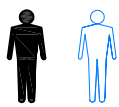
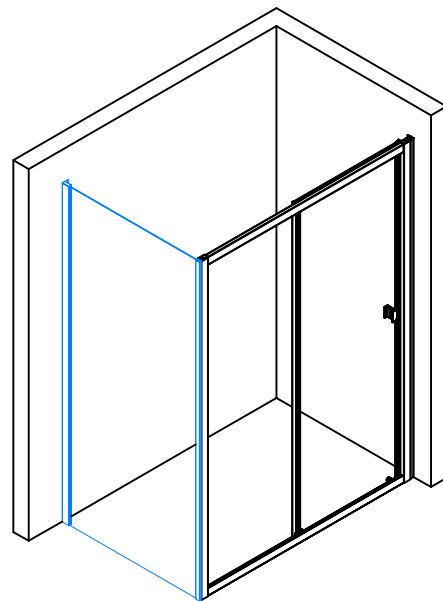
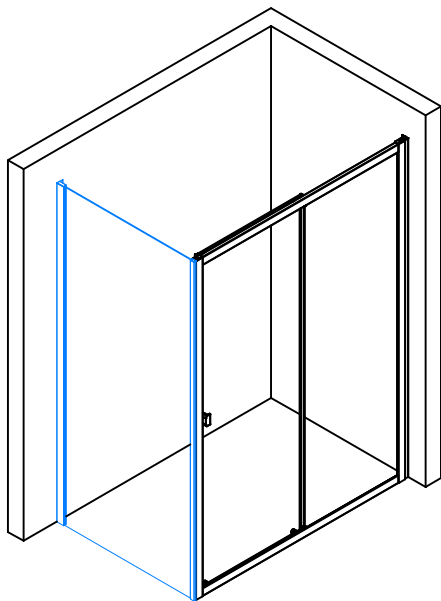
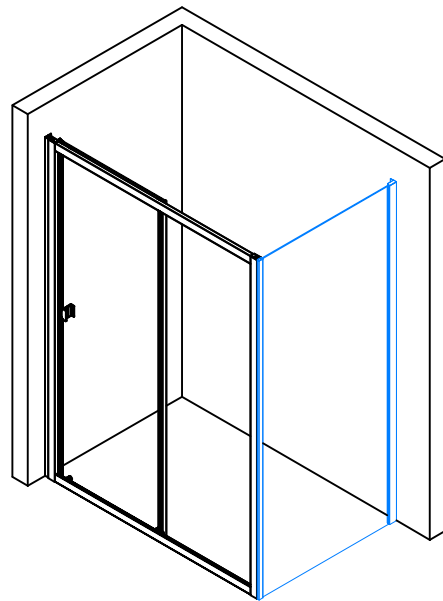
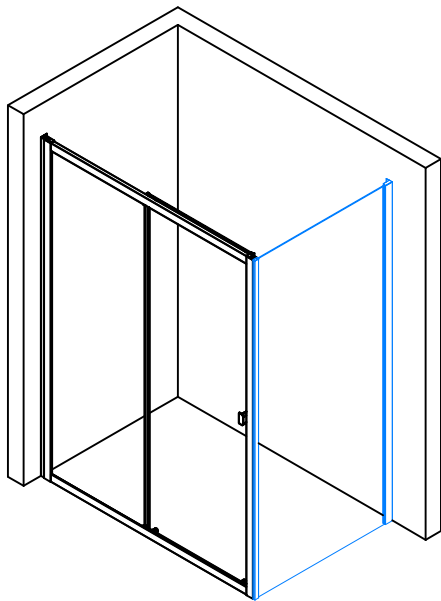
14.4

15.

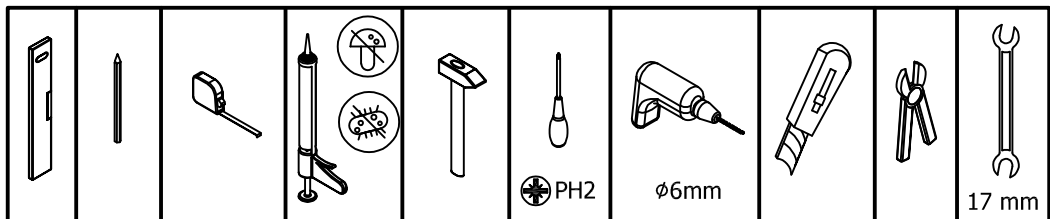




P13. → P27.



1x

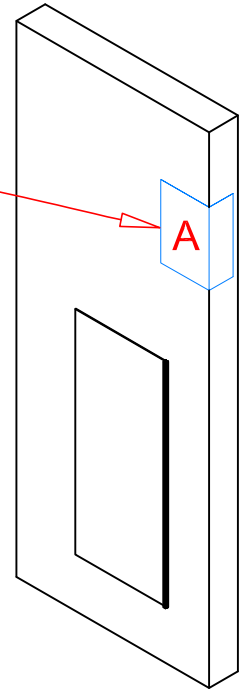
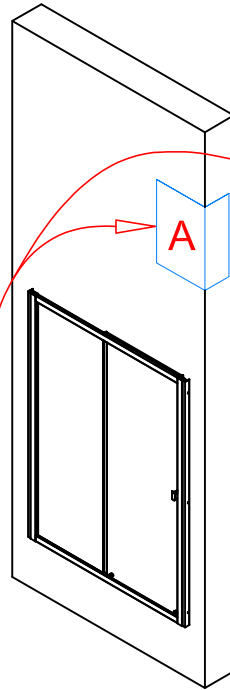
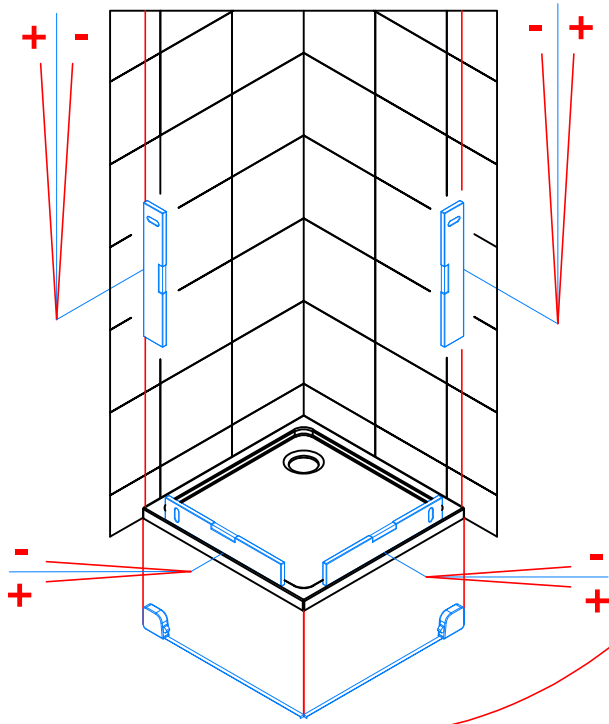


	1X 42352TL.XXXX 1X 42352TR.XXXX	2X 80002FXX.XXXX	1X 80401F2XX.XXXX	1X 82025FXXXX 1X 82025.XXXX	
	80213E3XXLXXXX 		82212.XXXX 		
		80213E4XXRXXXX 		FITTING PACK 	

	 6 x 16000 ø 6mm	 6 x 14295 4.2 X 32mm	 4 x 81393.XX	 4 x MT0476.XX	 1 x MT0471.XX
	 2 x 14196 3.5 X 13mm	 8 x 14016 3.5 X 25mm	 2 x 81121.XX	 2 x 81125.XX	1 x 81065
	6 x 81253 	6 x 81254.XX 	1 x 11221 	1 x 17156 5 mm 	1 x 17188 4 mm

	1X 82006.XXXX 	FITTING PACK

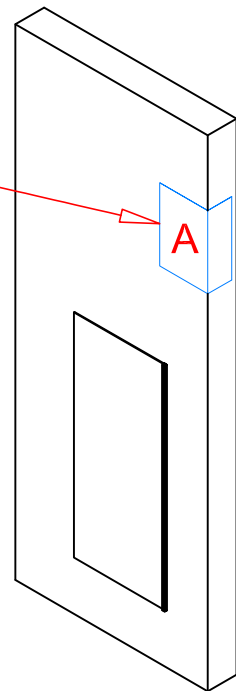
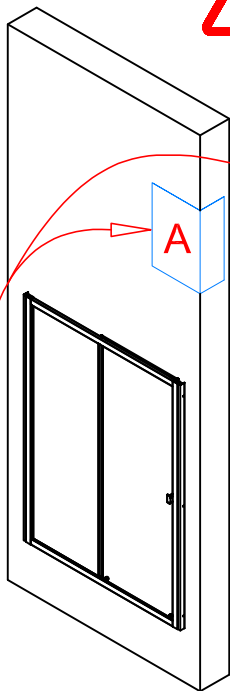
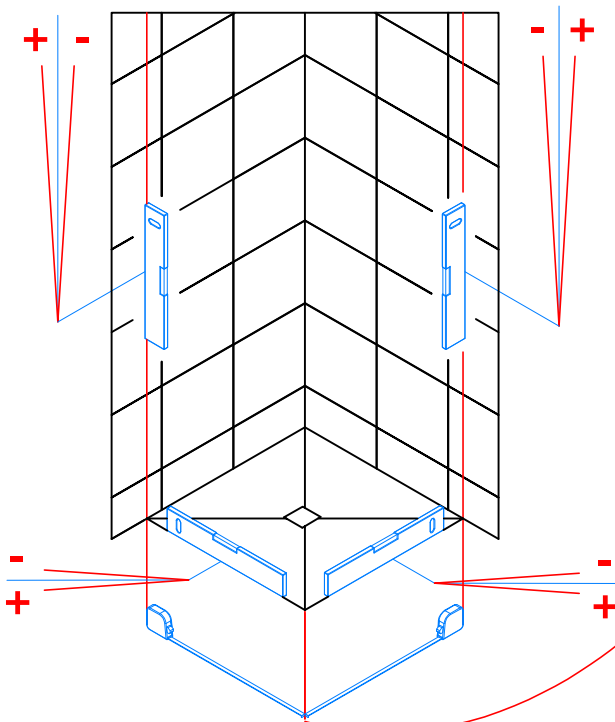
 1 x 81122.XX	 51209
 1 x 81123.XX	 1 x 81124.XX



A	
STD	SM
-20 ; +10	-10 ; +20

A	
STD	SM
-20 ; +5	-10 ; +15

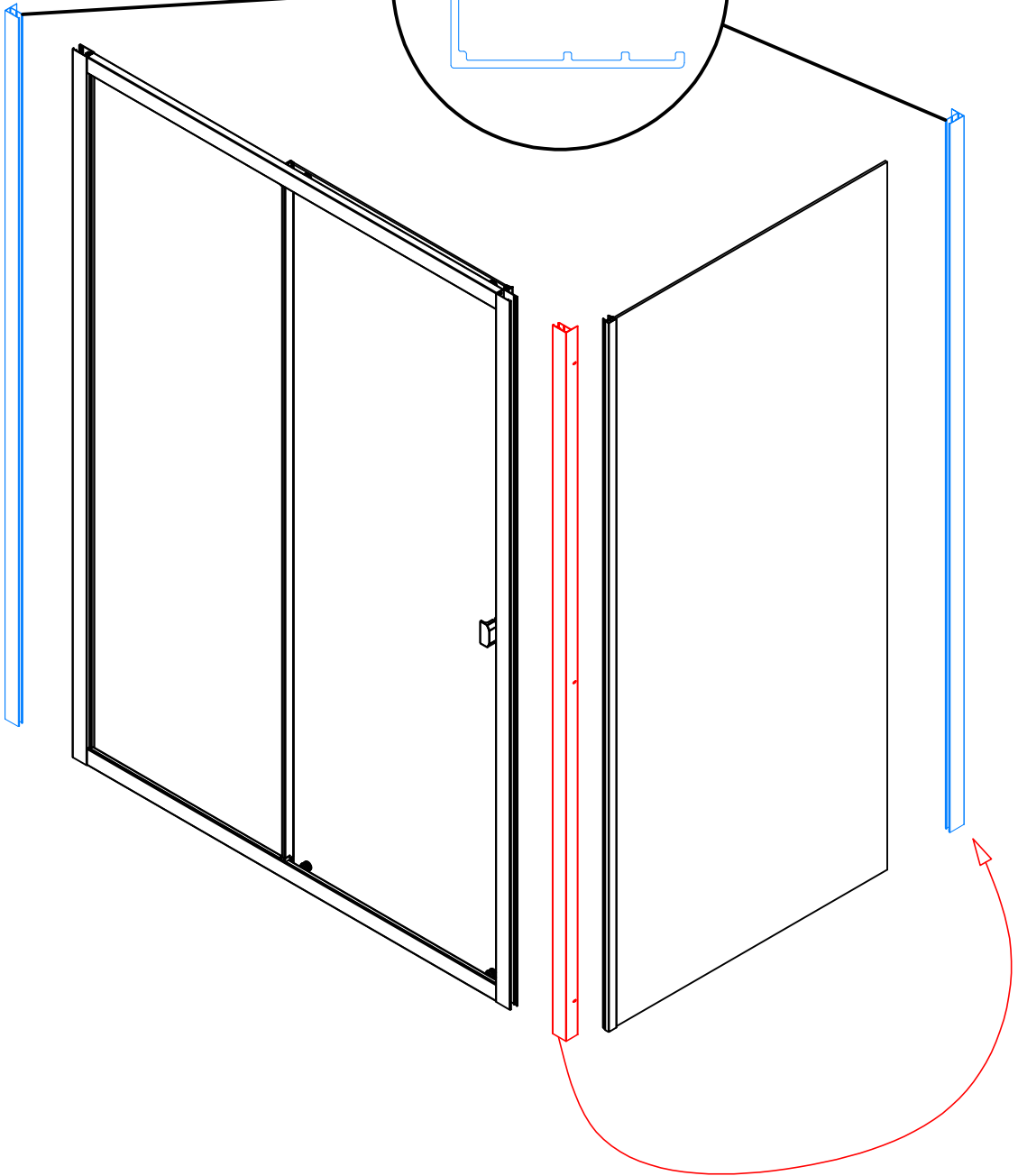
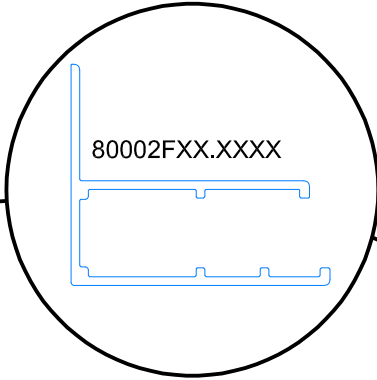
16.

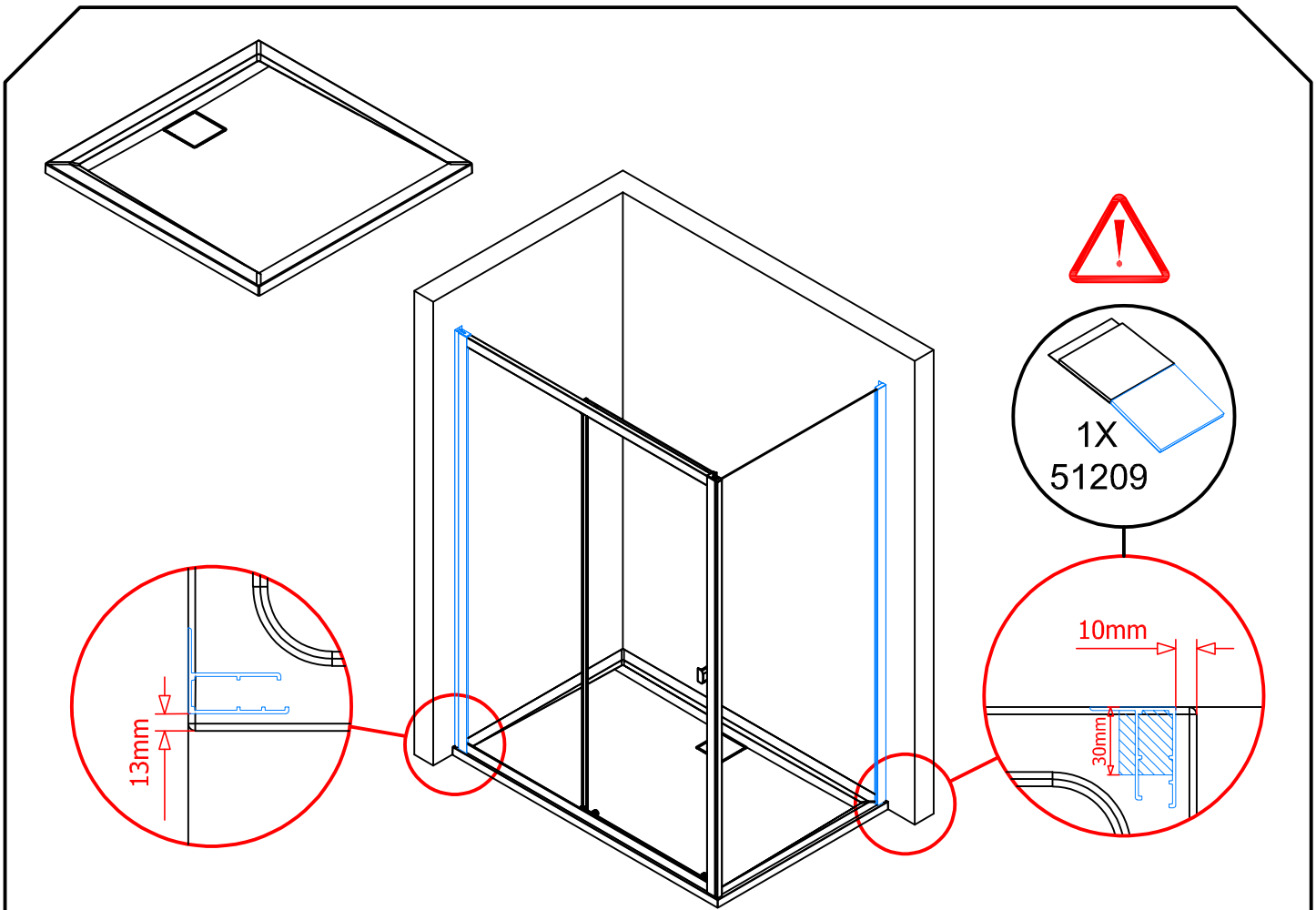


A	
STD	SM
-36 ; -6	-10 ; +20

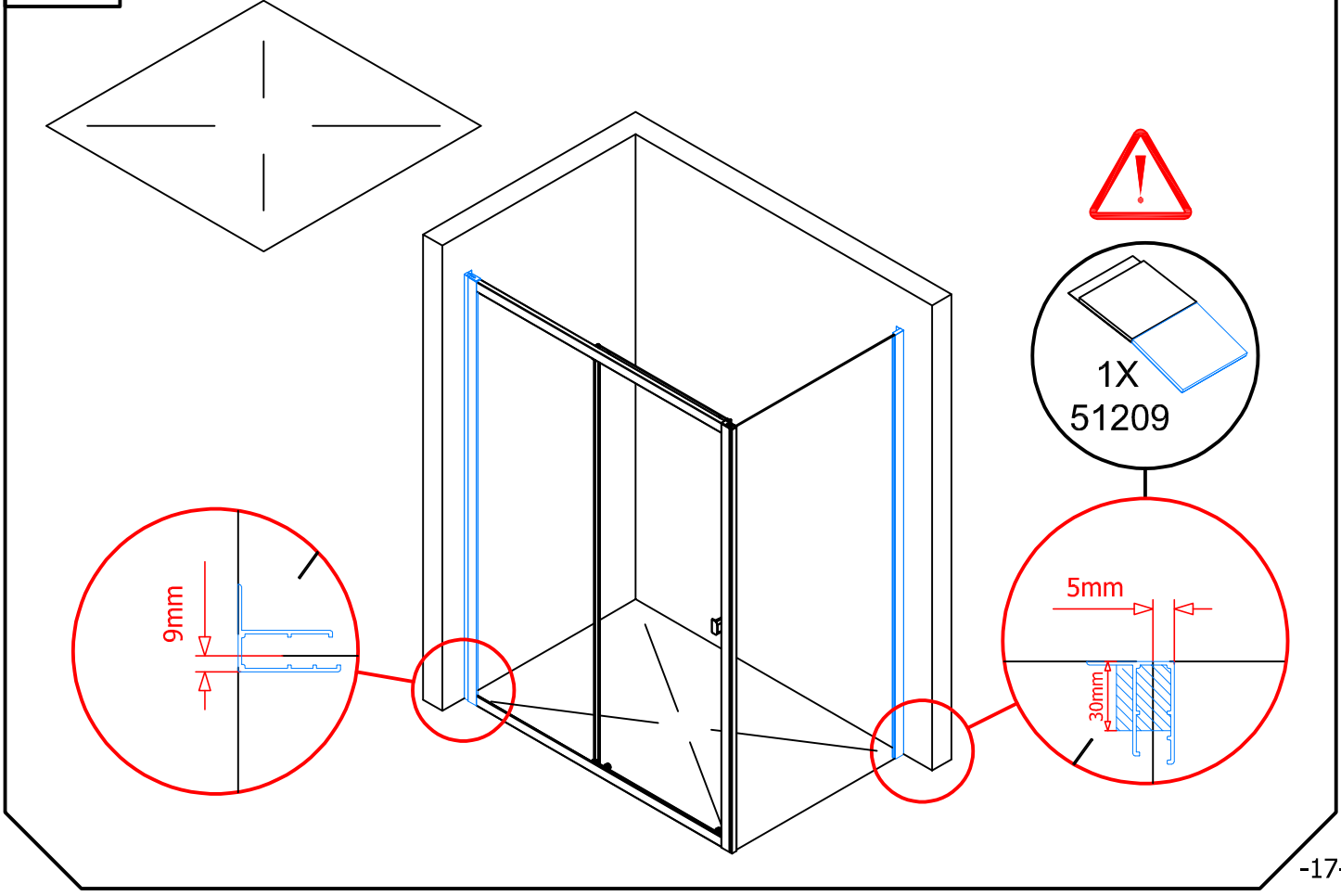
A	
STD	SM
-42 ; -17	-10 ; +15

17.

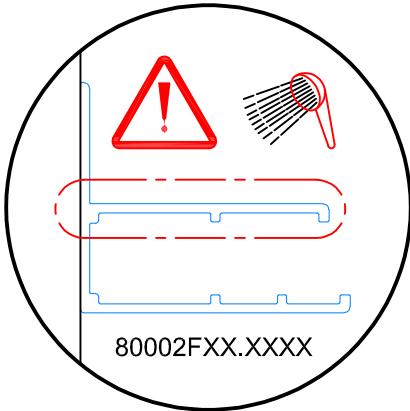
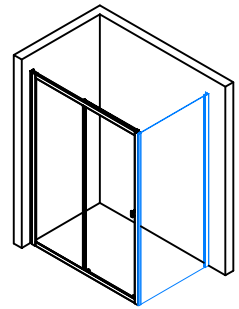




18.

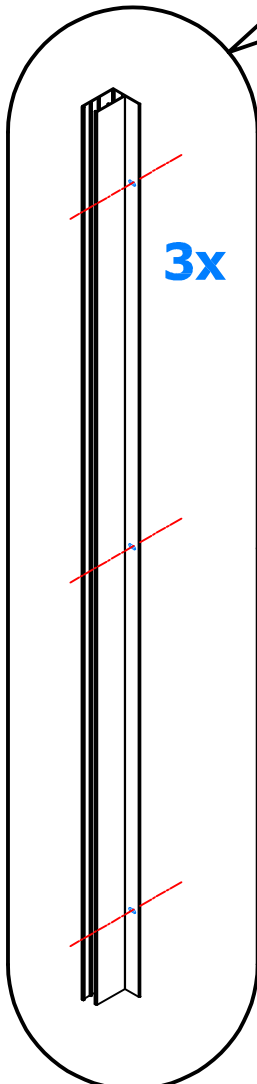
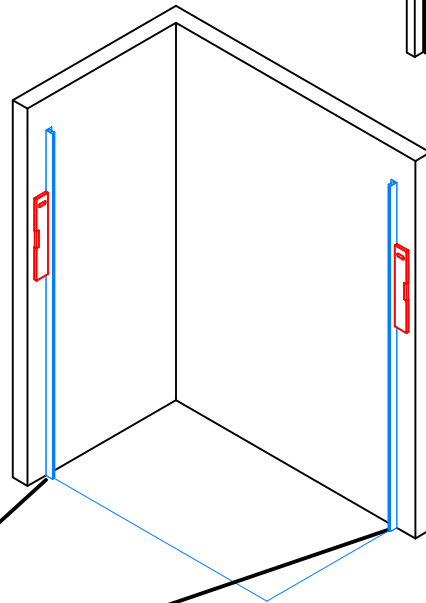


19.1 → 19.3



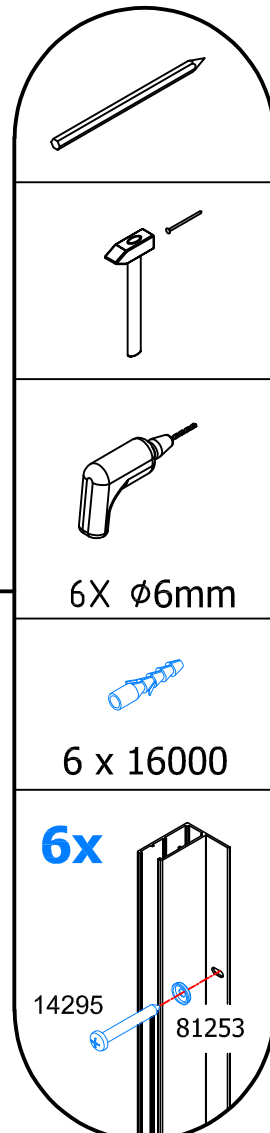
19.1

19.2



3x

19.3



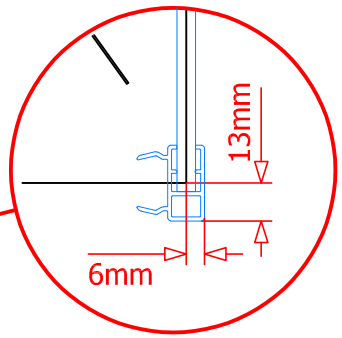
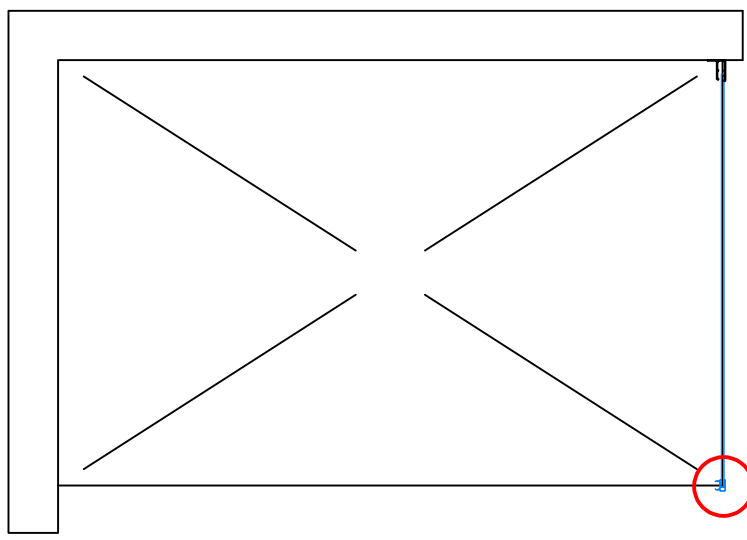
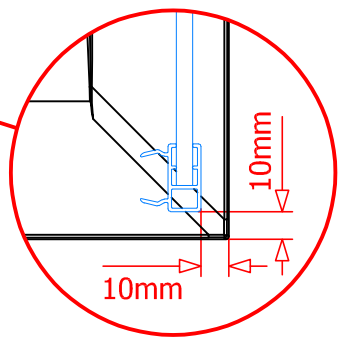
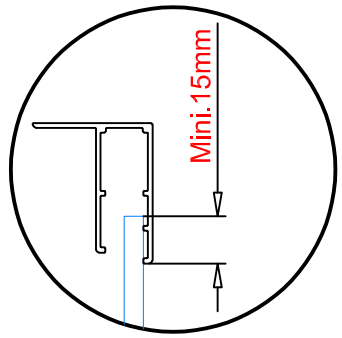
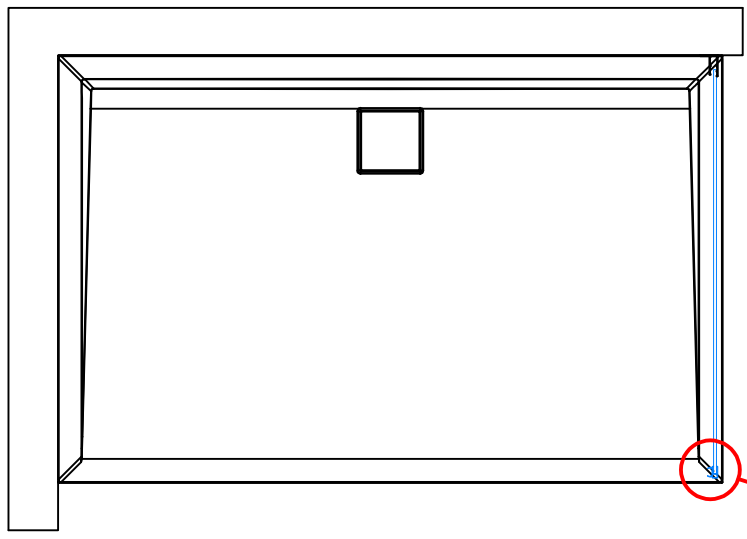
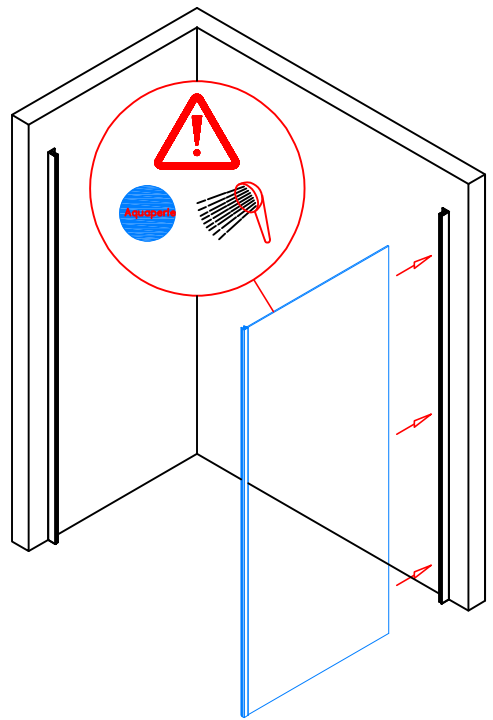
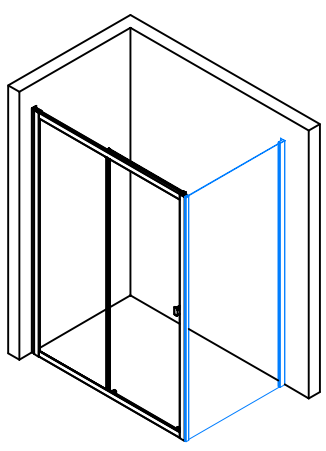
6X ϕ 6mm

6 x 16000

6x

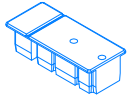
14295 81253

20.

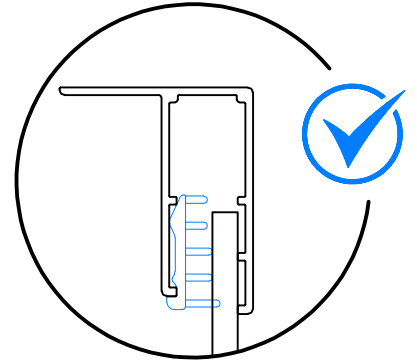
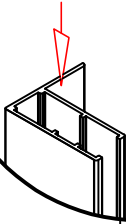


21.1

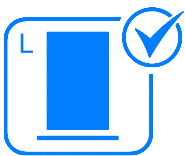
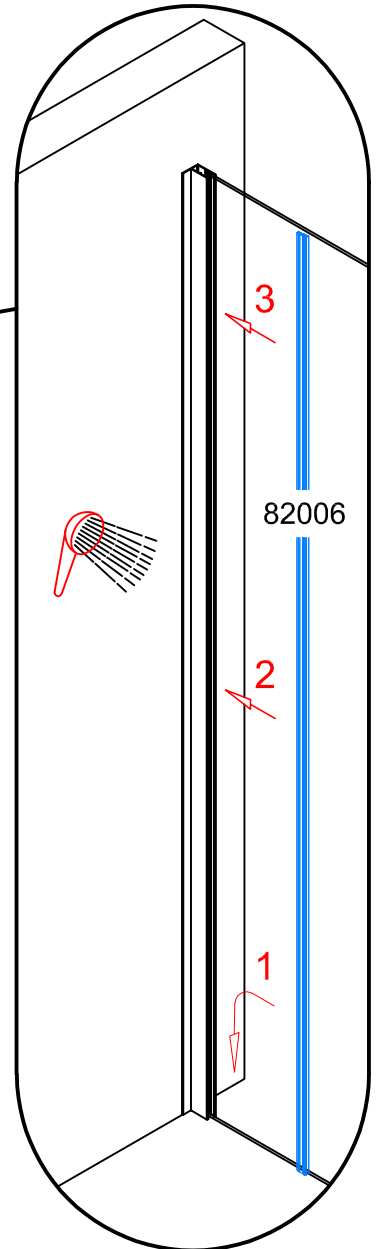
21.1 → 21.3



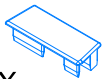
81125.XX



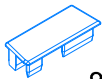
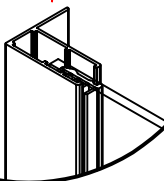
21.2



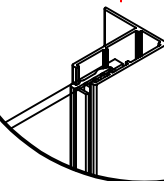
21.3



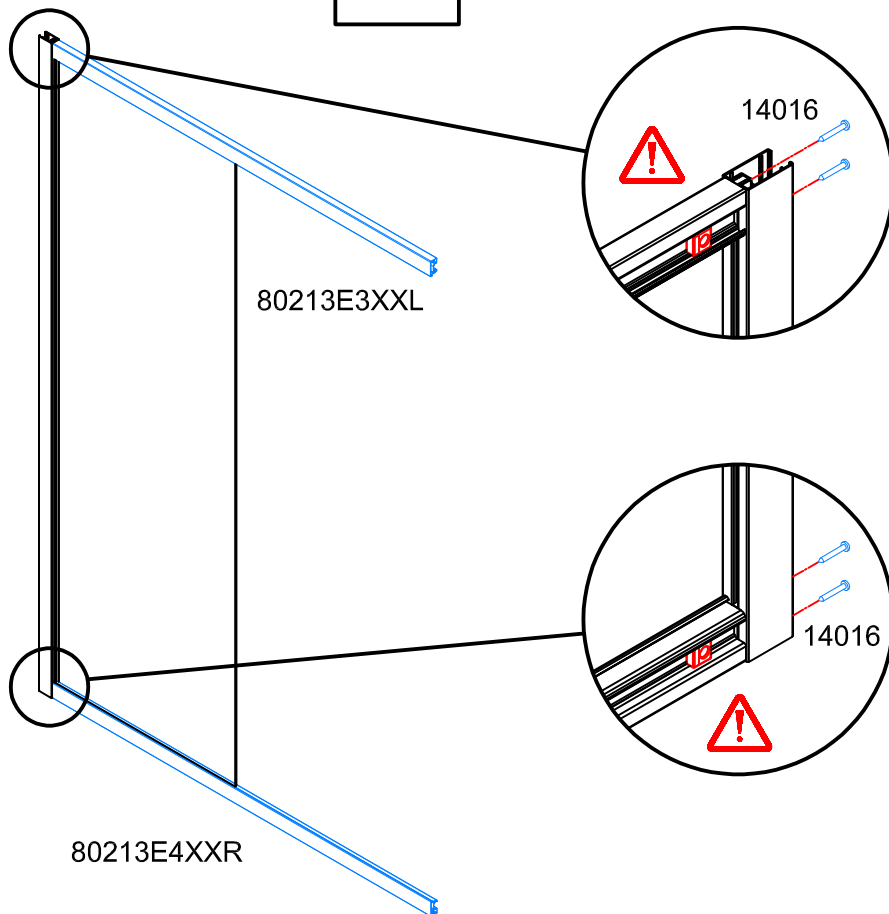
81123.XX



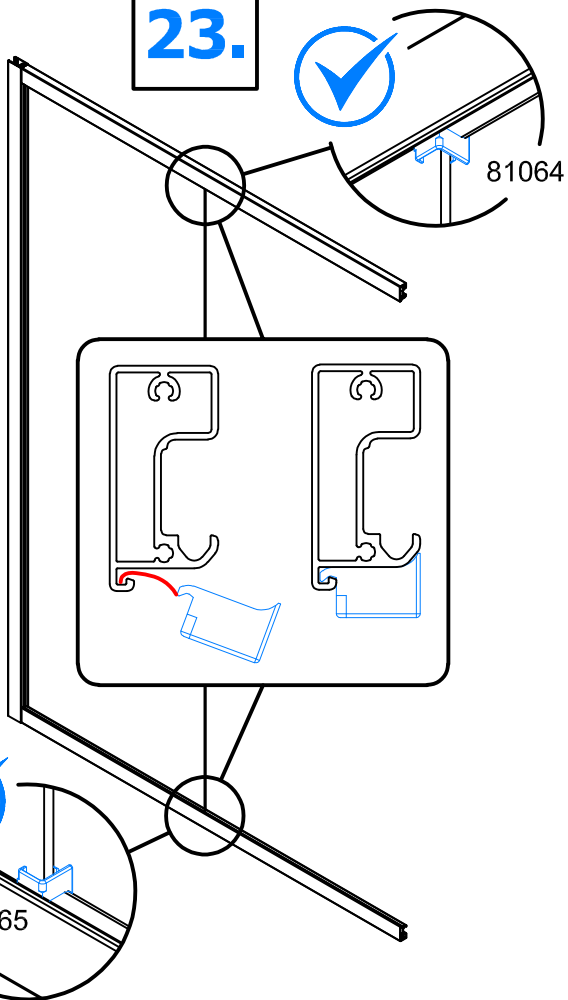
81124.XX



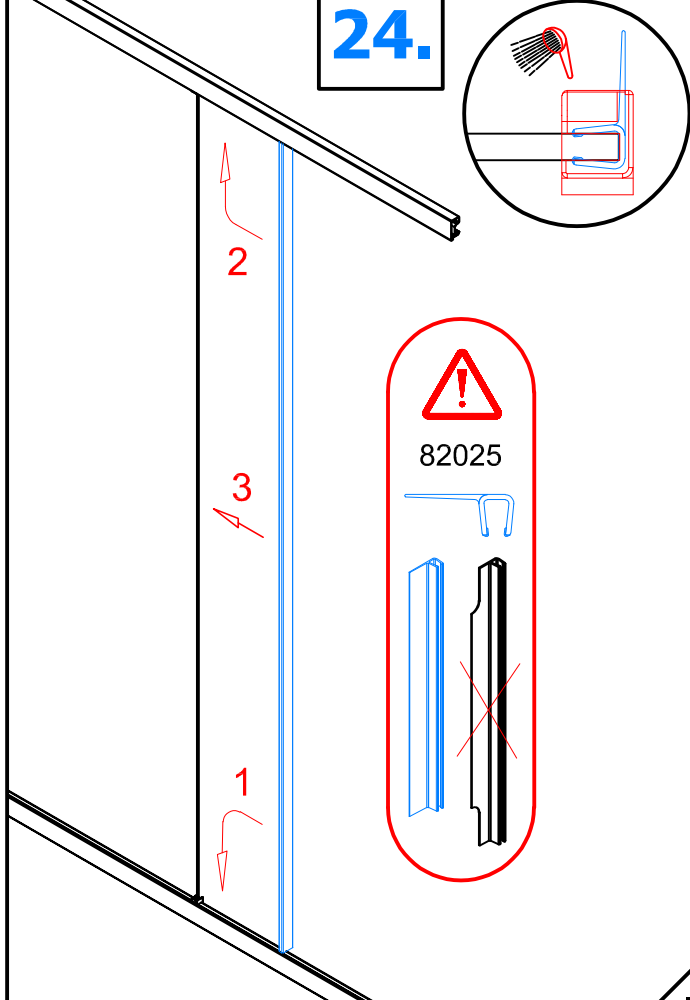
22.



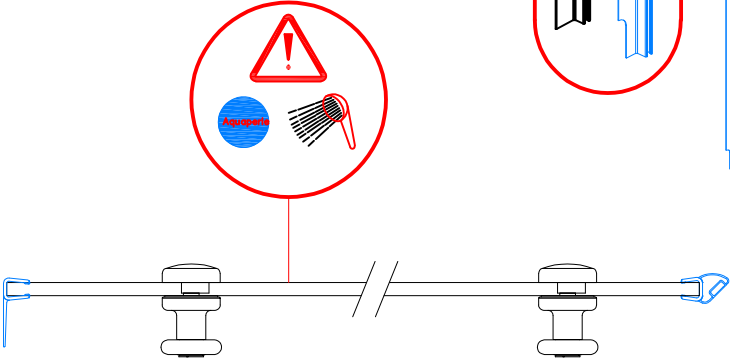
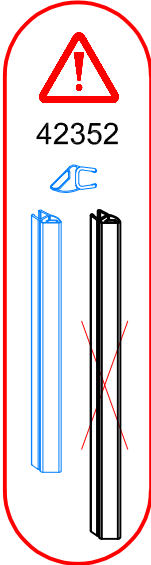
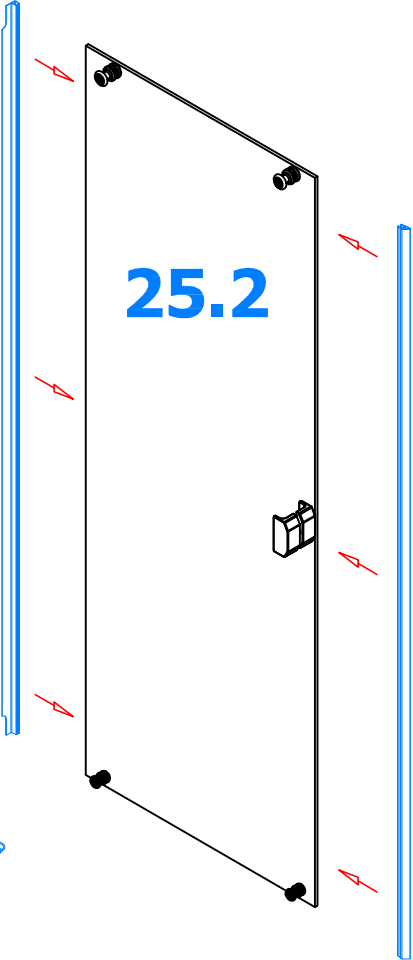
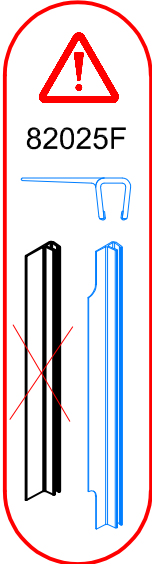
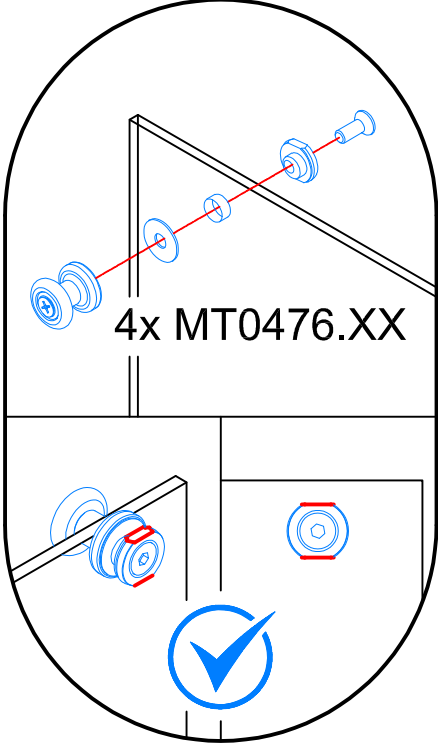
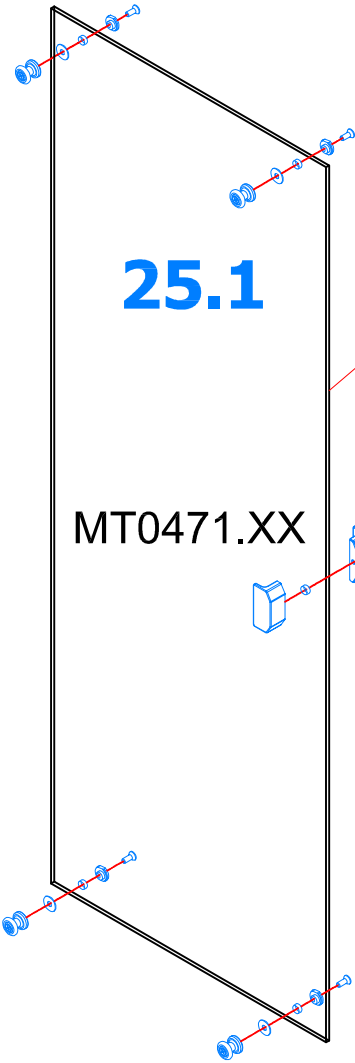
23.



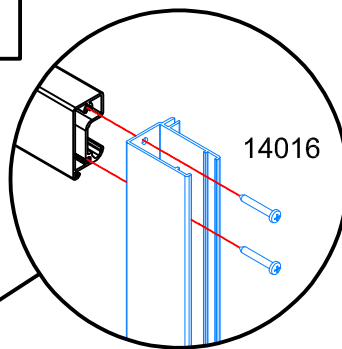
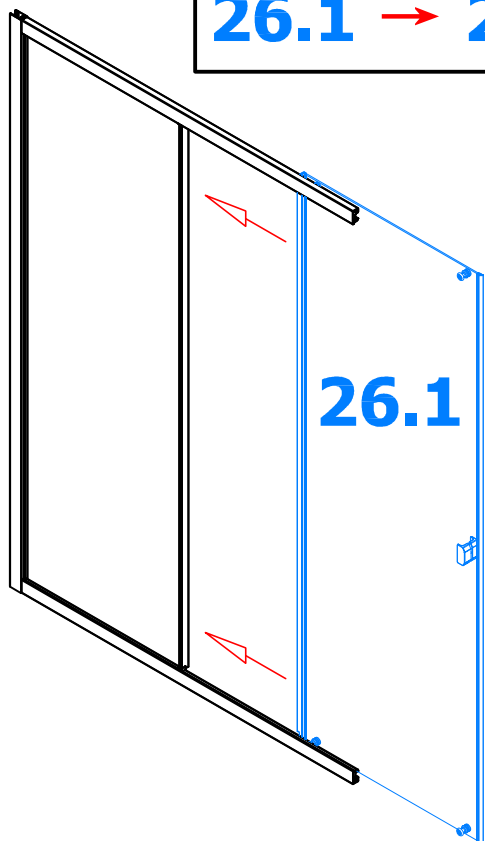
24.



25.1 → 25.2

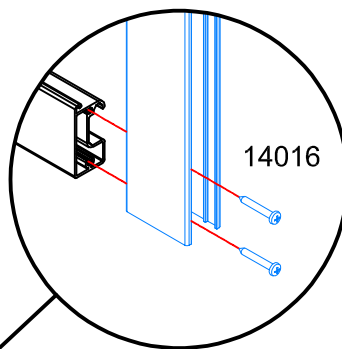


26.1 → 26.2

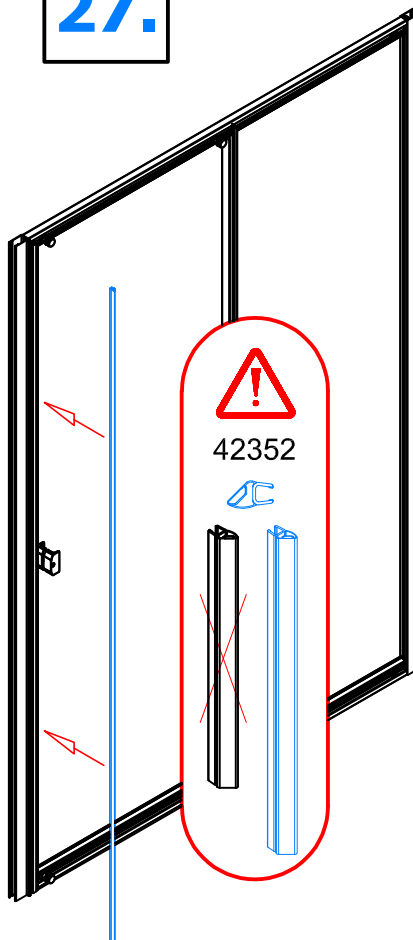
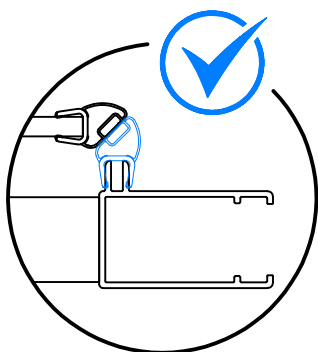


26.2

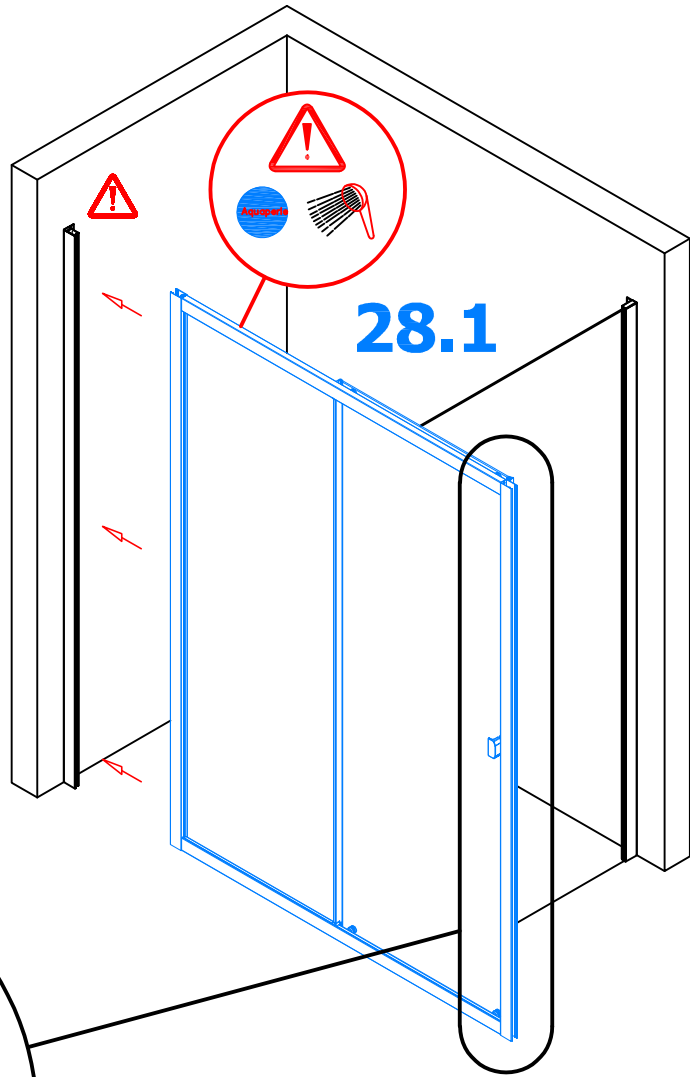
80401



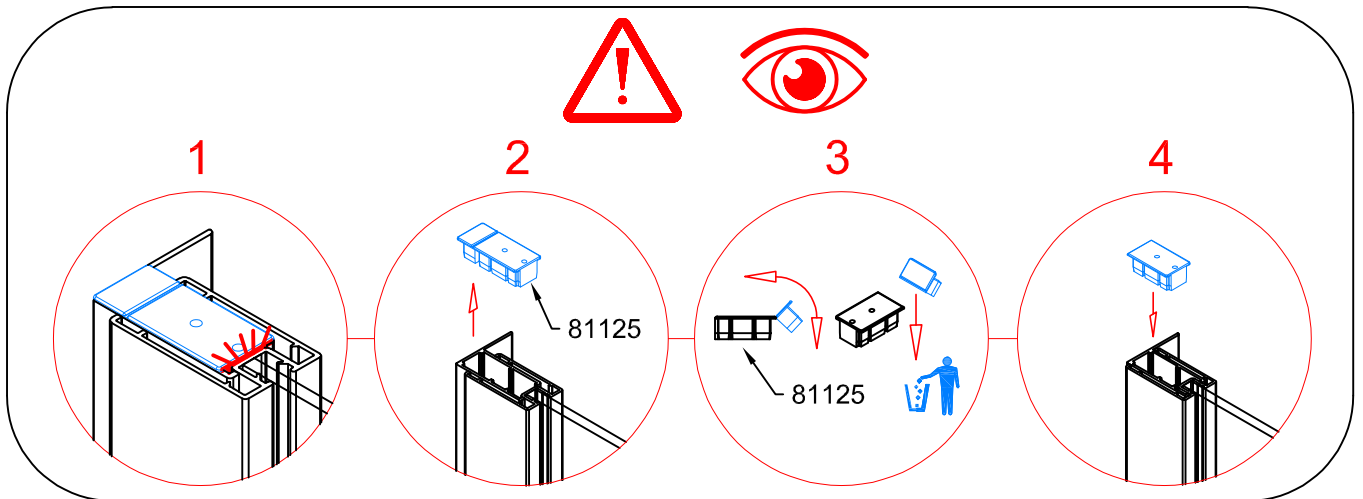
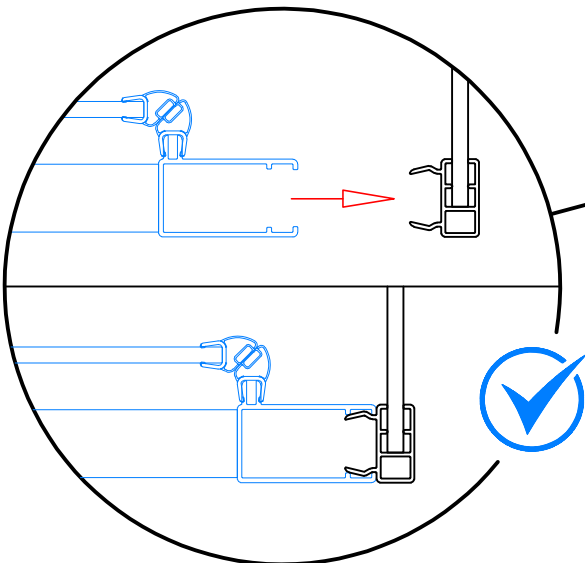
27.



28.1 → 28.2

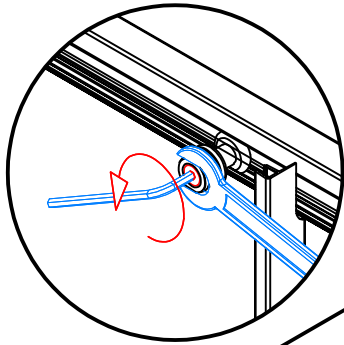


28.2



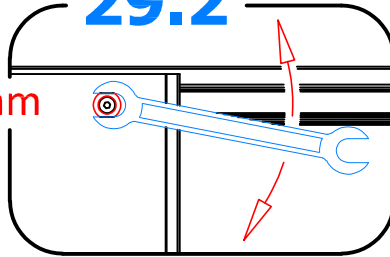
29.1

29.1 → 29.5

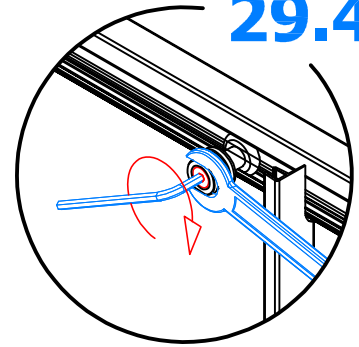


± 1.5 mm

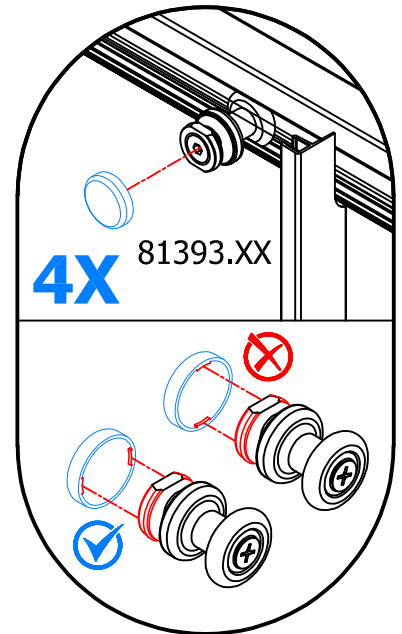
29.2



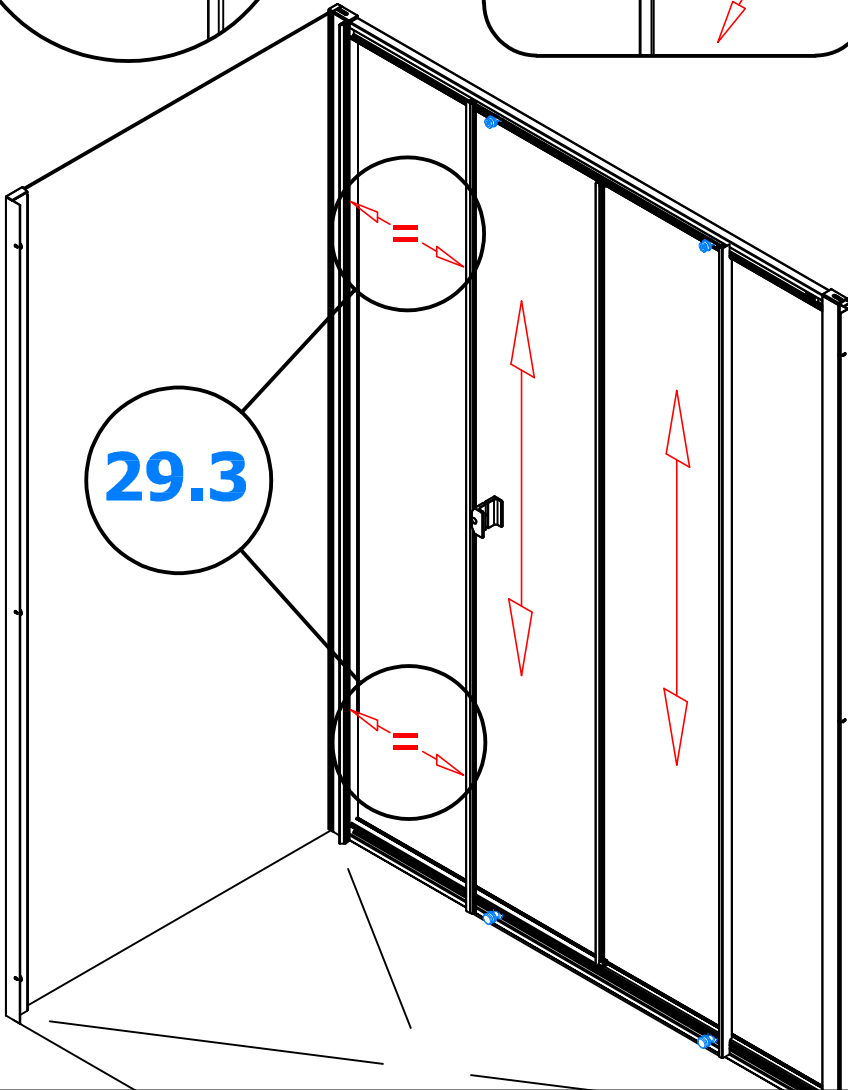
29.4



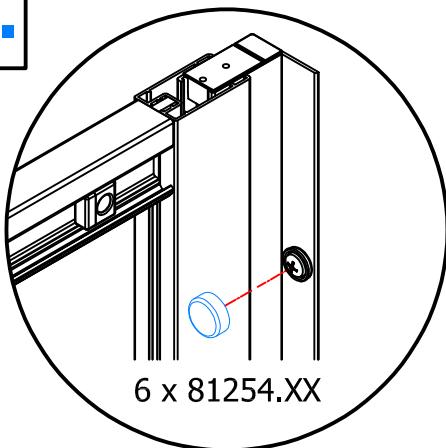
29.5



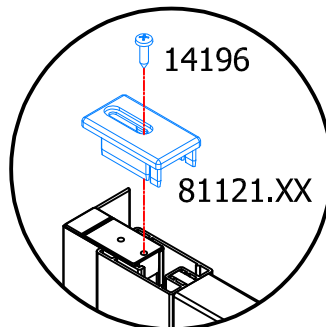
29.3



30.

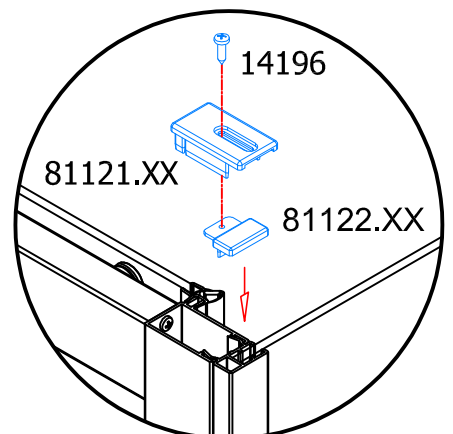


6 x 81254.XX



14196

81121.XX

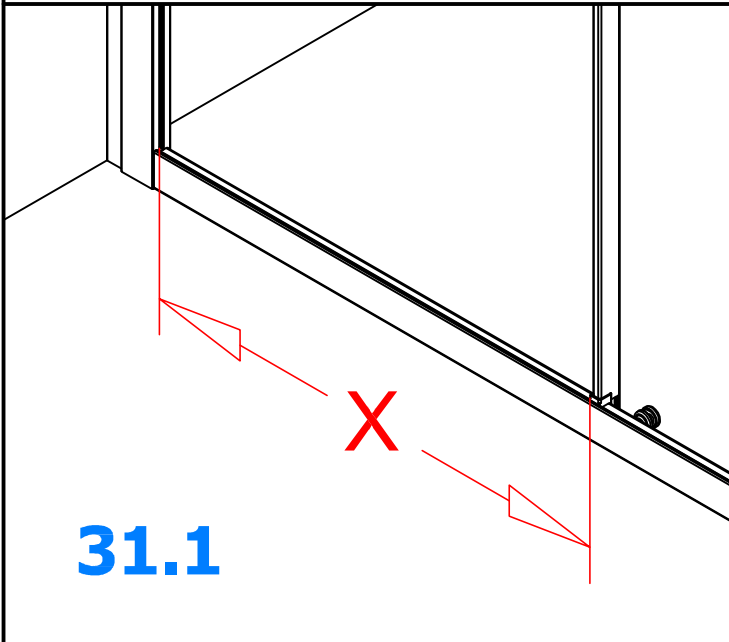
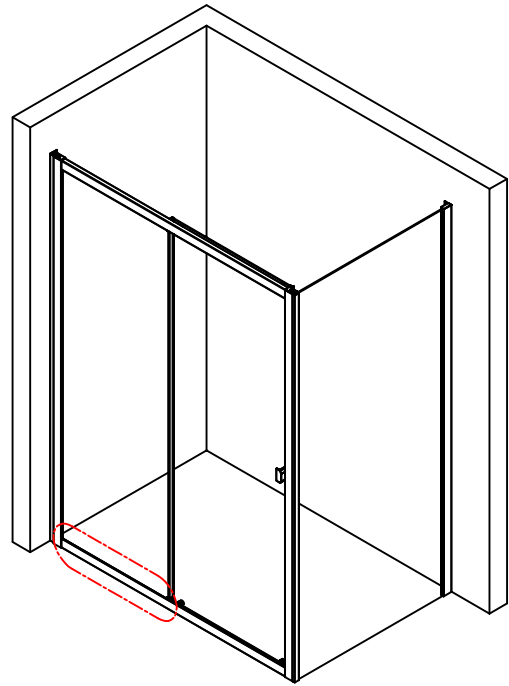


14196

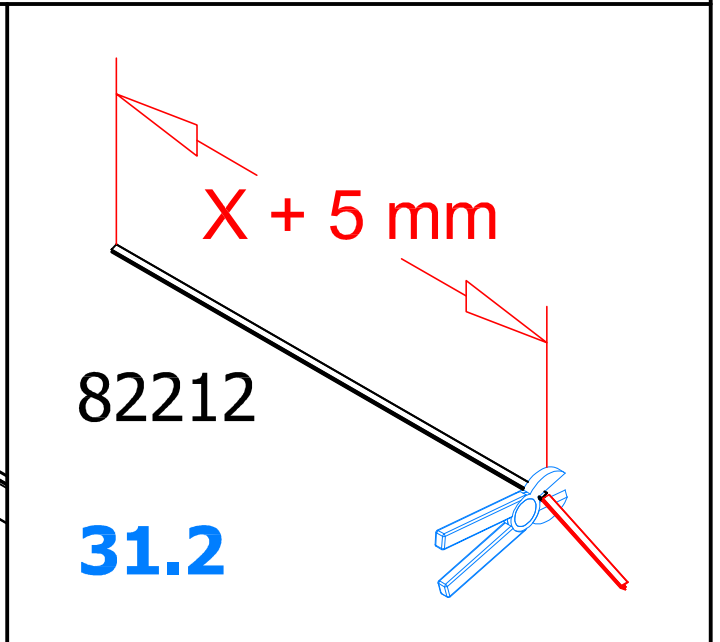
81121.XX

81122.XX

31.1 → 31.4

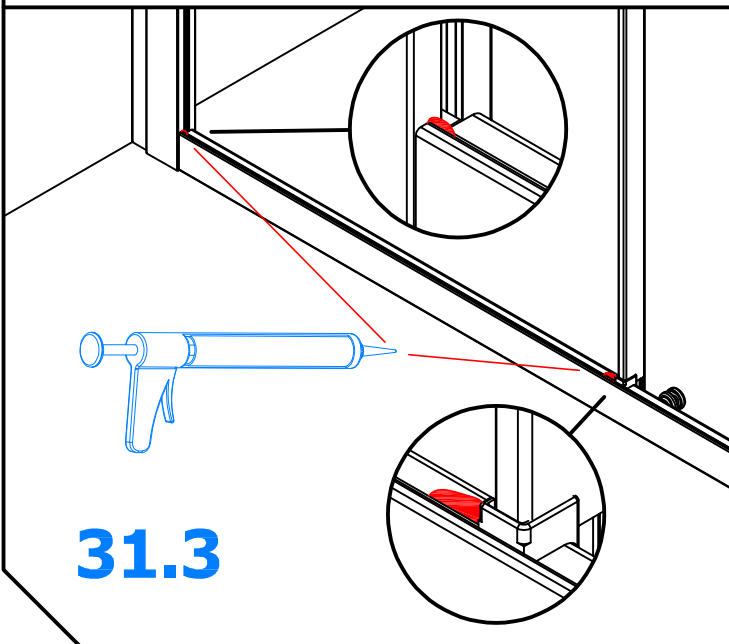


31.1

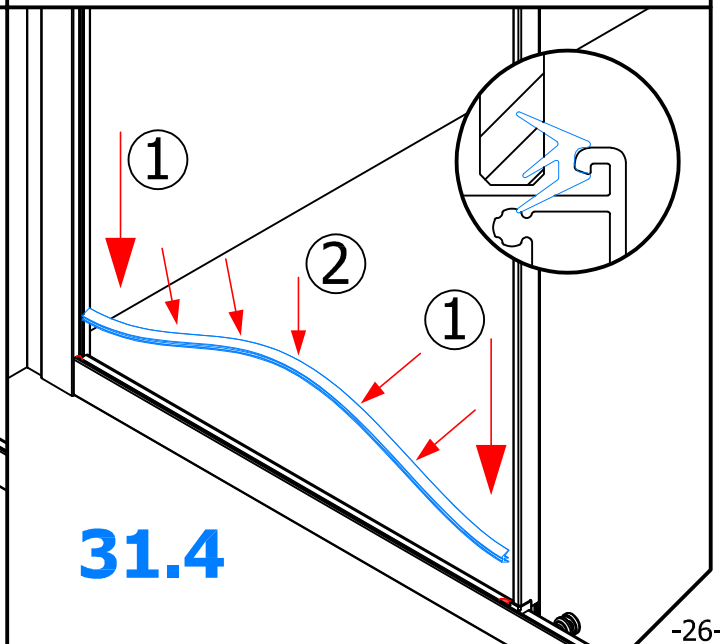


82212

31.2

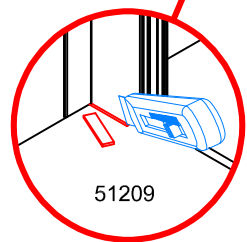
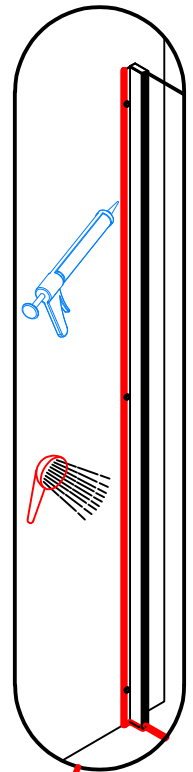
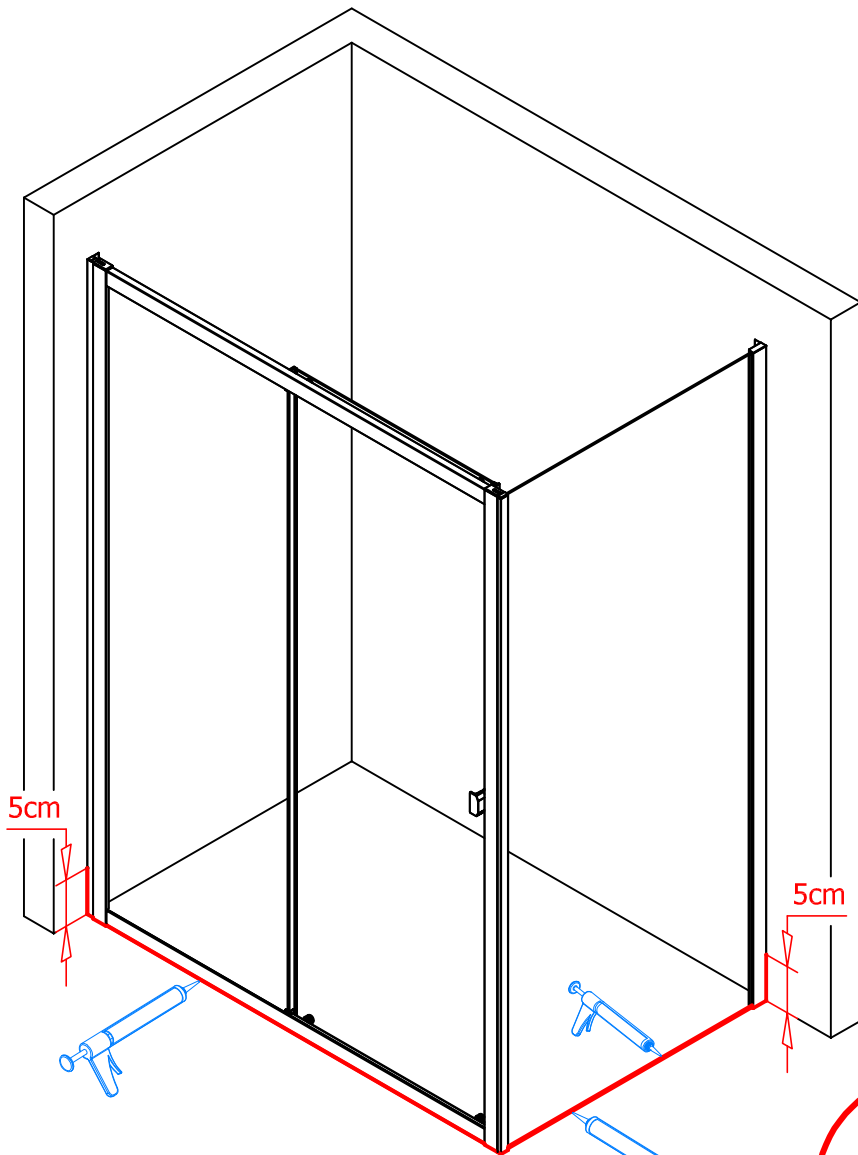
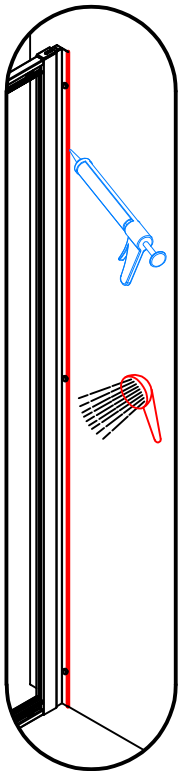
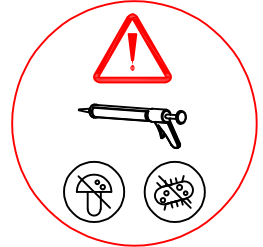
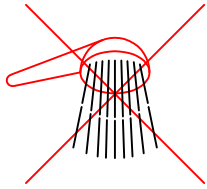
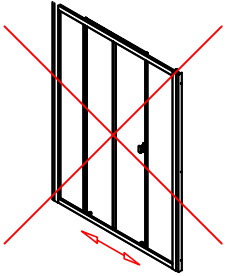


31.3

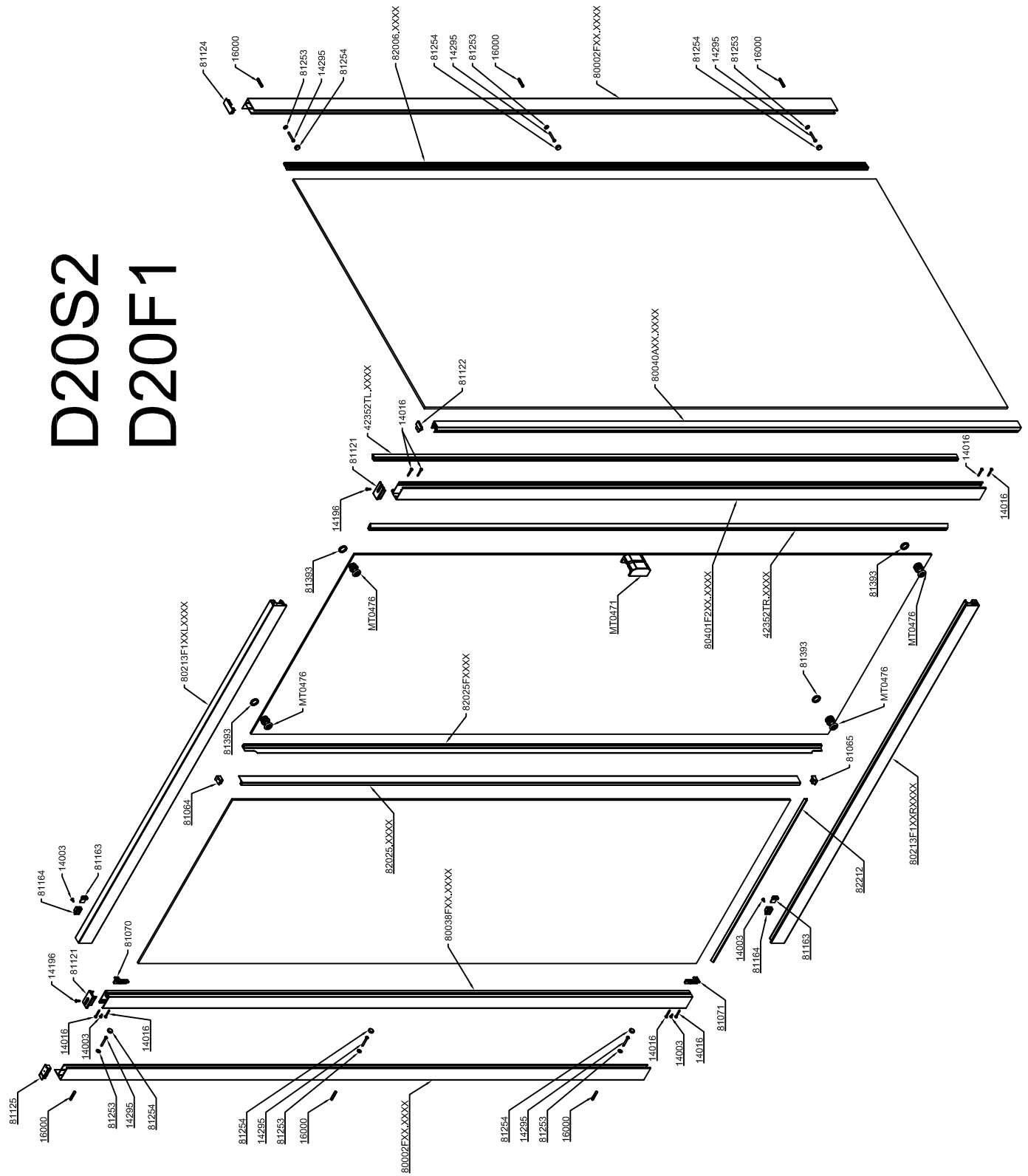


31.4

32.



D20S2 D20F1



D20S2

D20F1

