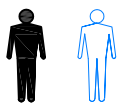
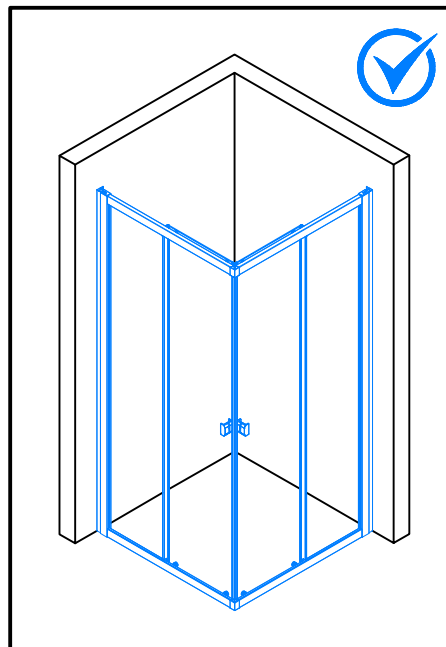
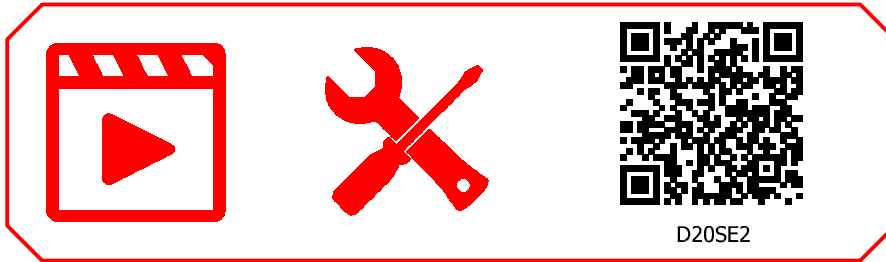
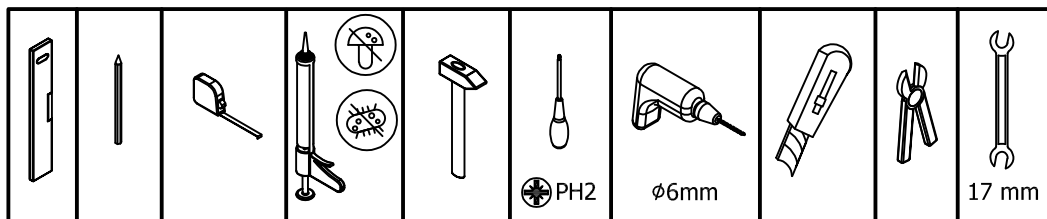
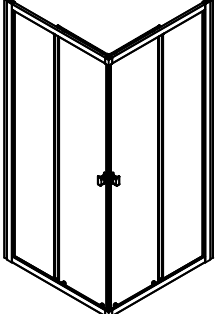

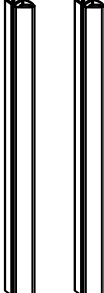


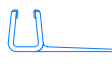
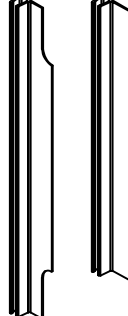
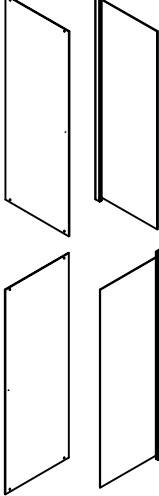

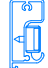















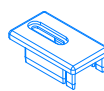
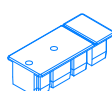




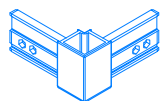




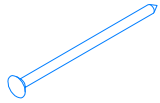


19801

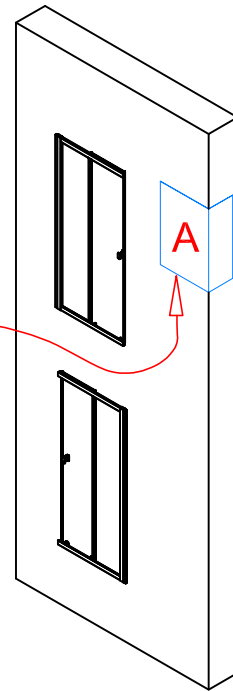
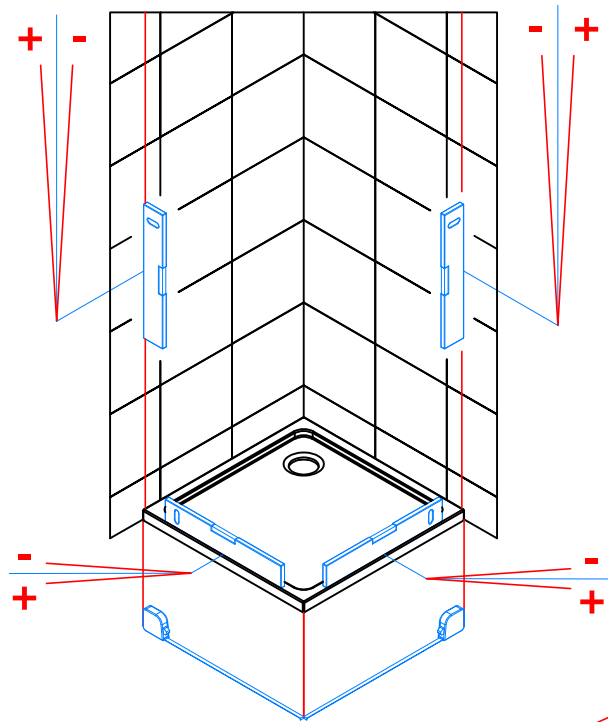


1x



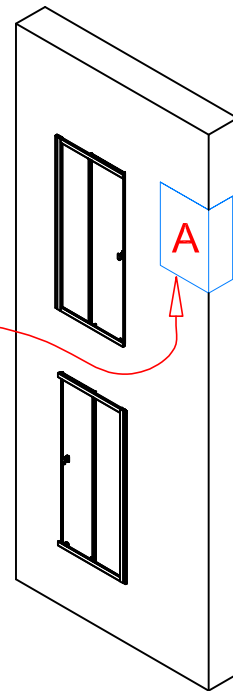
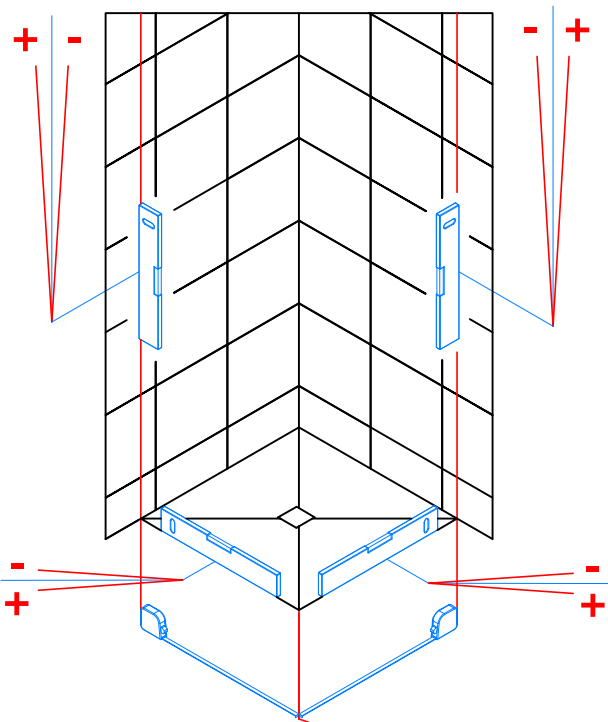
	1X 42352TL.XXXX 1X 42352TR.XXXX  	2X 80002FXX.XXXX  	2X 82025FXXXX 2X 82025.XXXX  	
	2X 80213E5XXLXXXX  		2X 82212.XXXX 	
	2X 80213E6XXRXXXX 			

	 6 x 16000 ø 6mm	 6 x 14295 4.2 X 32mm	 8 x 81393.XX	 8 x MT0476.XX	 2 x MT0471.XX
	 2 x 14196 3.5 X 13mm	 8 x 14016 3.5 X 25mm	 2 x 81121.XX	 2 x 81125.XX	 2 x 81065  2 x 81064
	 4 x 81164.XX  4 x 81163.XX	 2 x 81448.XX	 4 x 14190  4 x 14194	 6 x 81253  6 x 81254.XX	
	 1 x 11221	 1 x 17156 5 mm  1 x 17188 4 mm			

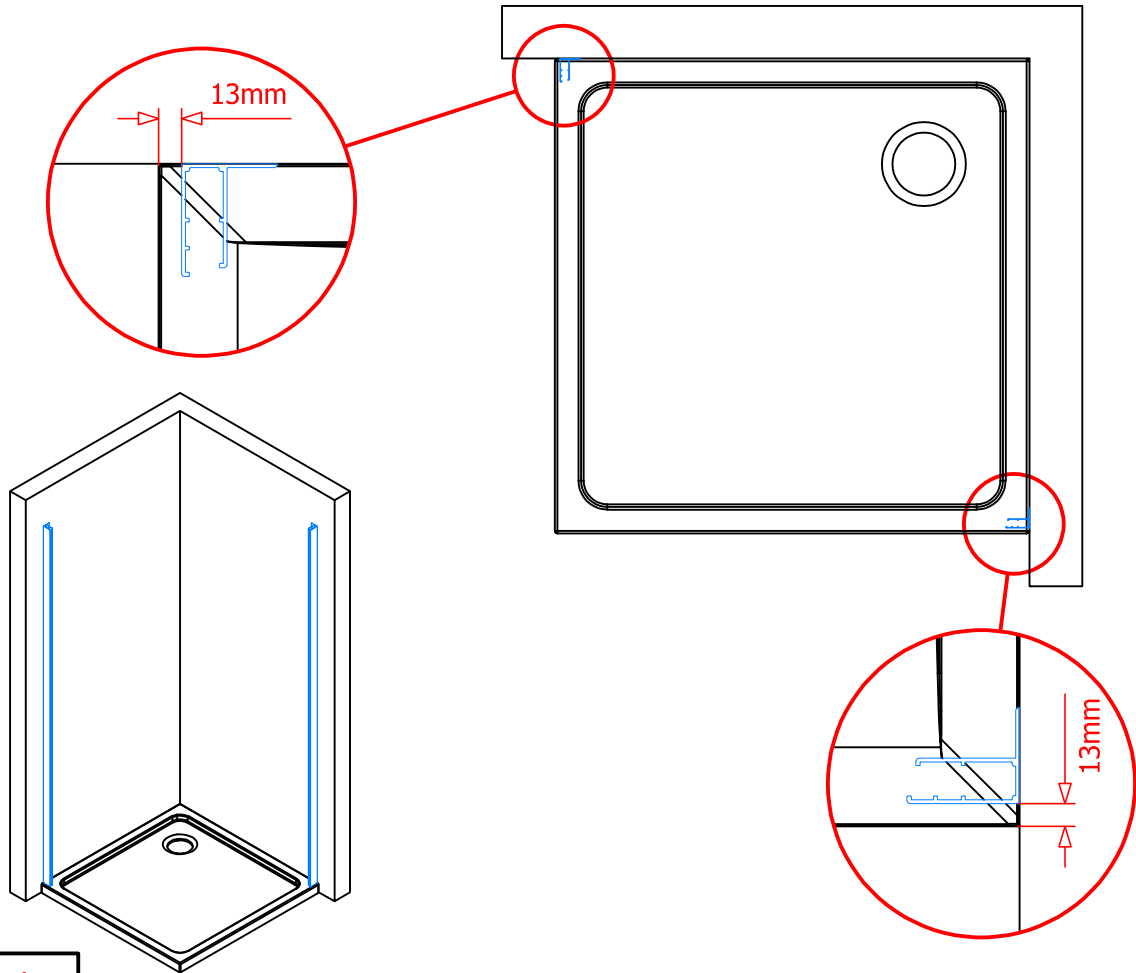


A	
STD	SM
-23 ; +7	-10 ; +20

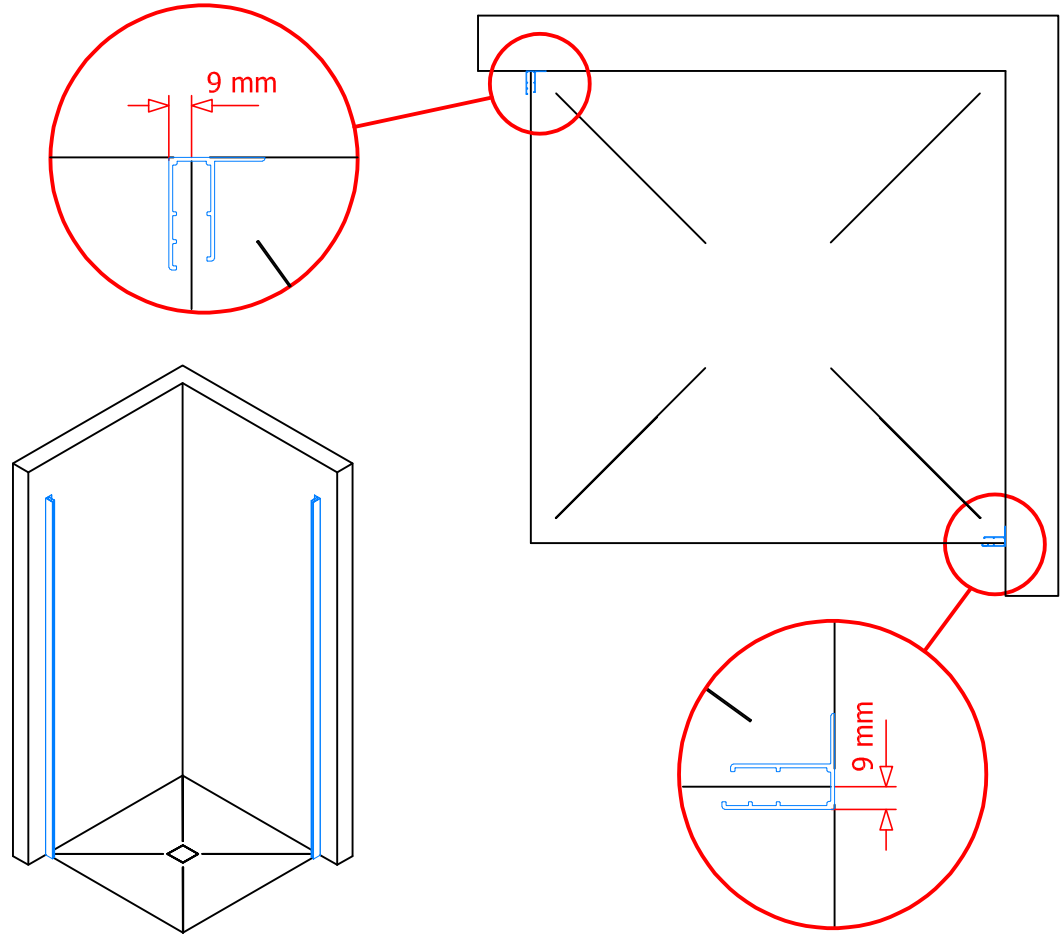
1.



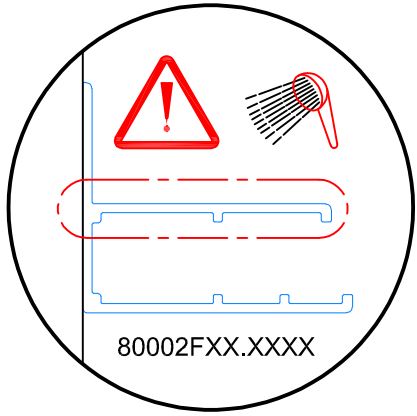
A	
STD	SM
-45 ; -15	-10 ; +20



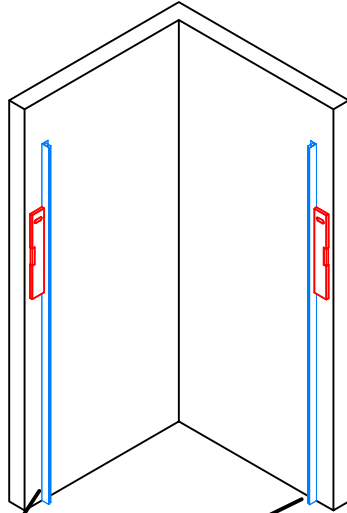
2.



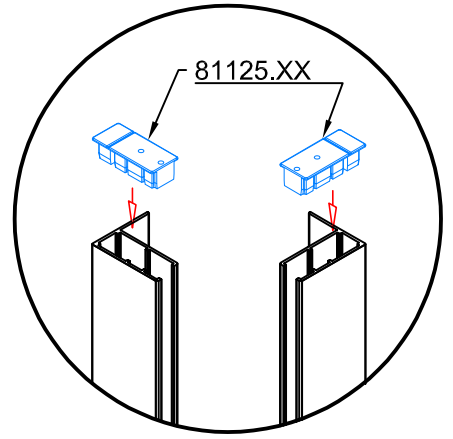
3.1 → 3.4



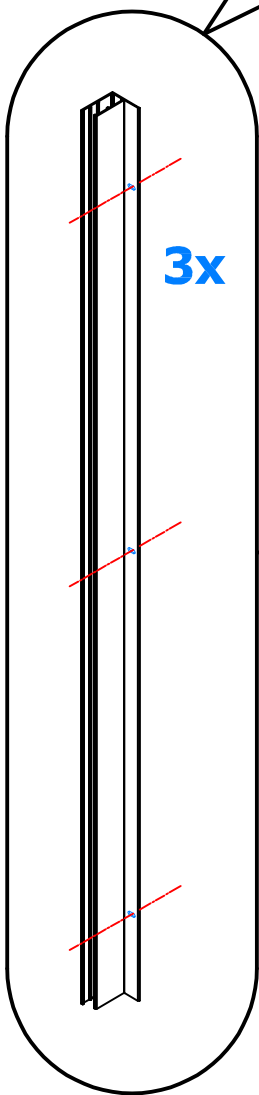
3.1



3.2

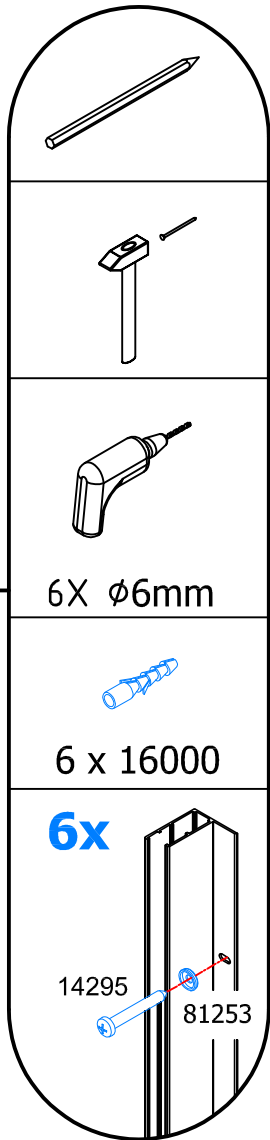


3.4

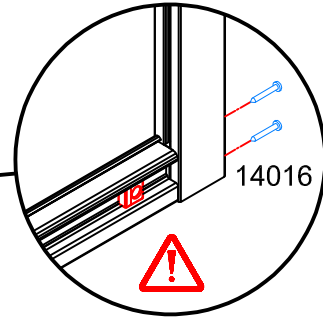
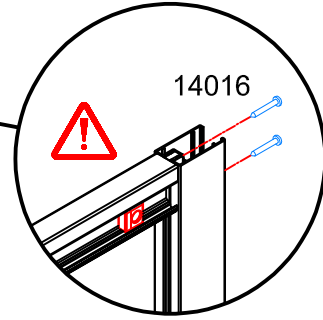
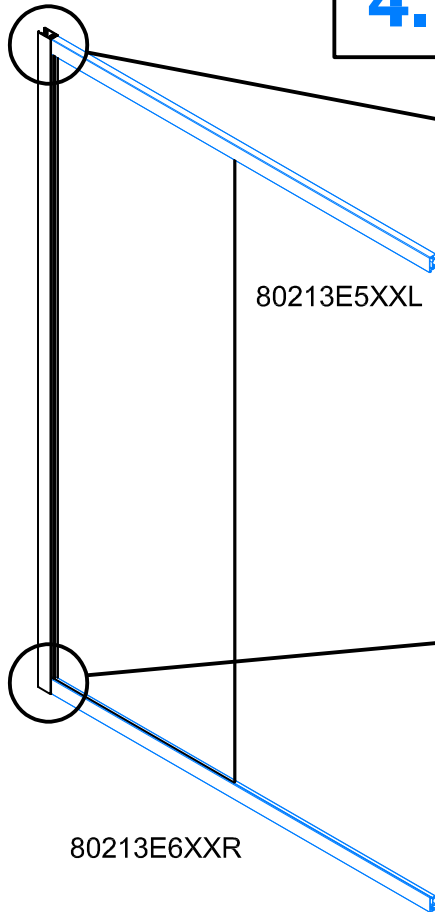
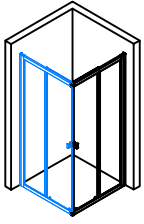


3x

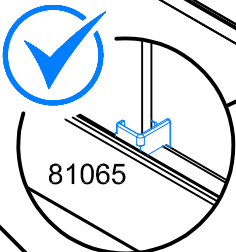
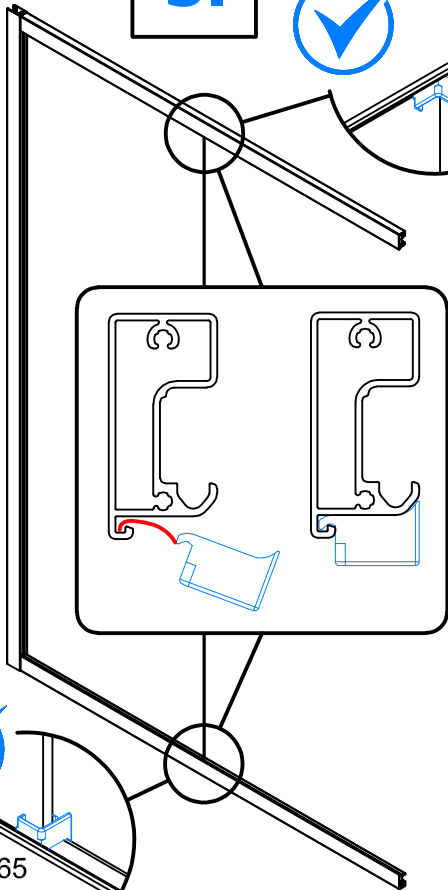
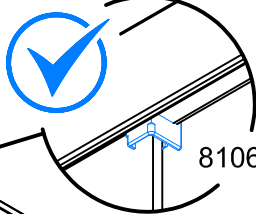
3.3



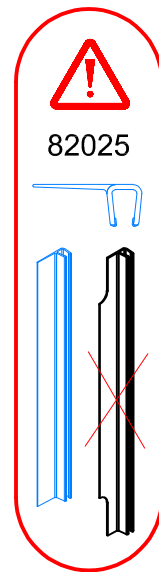
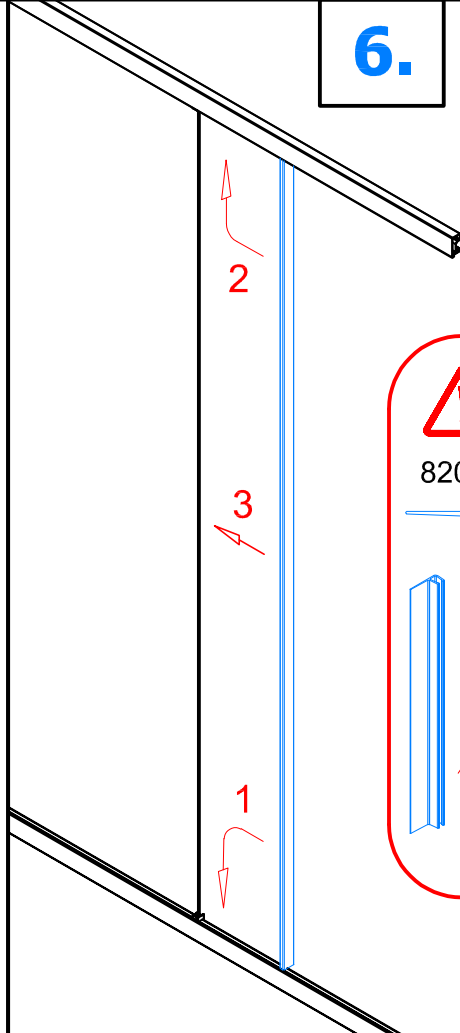
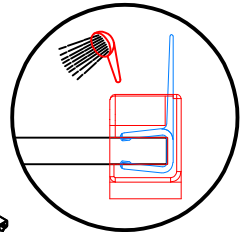
4.



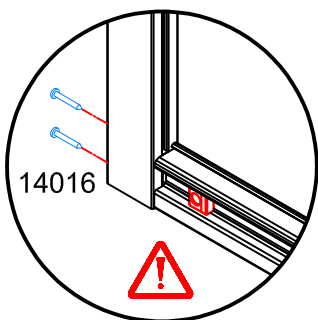
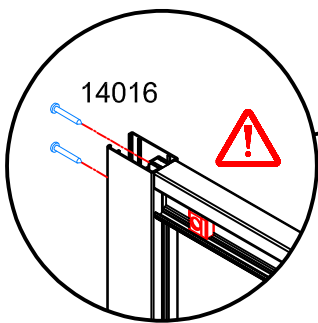
5.



6.

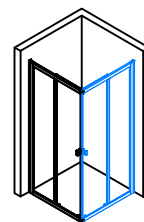


7.

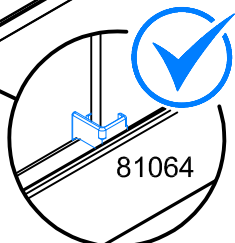
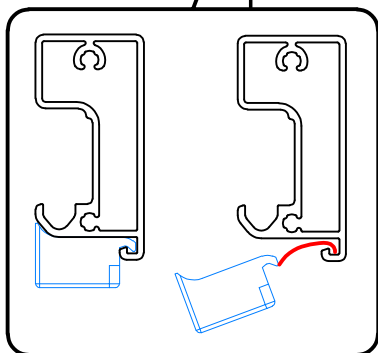
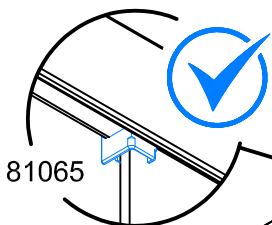


80213E6XXR

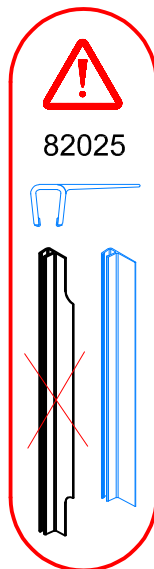
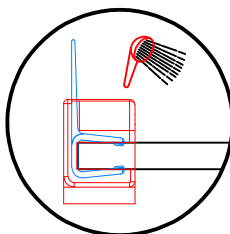
80213E5XXL



8.



9.

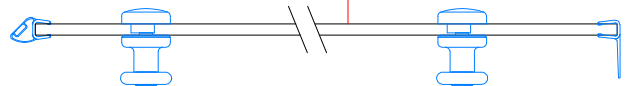
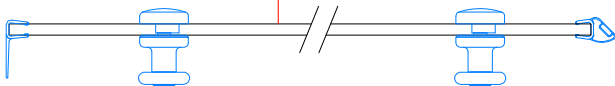
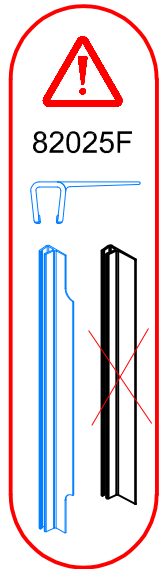
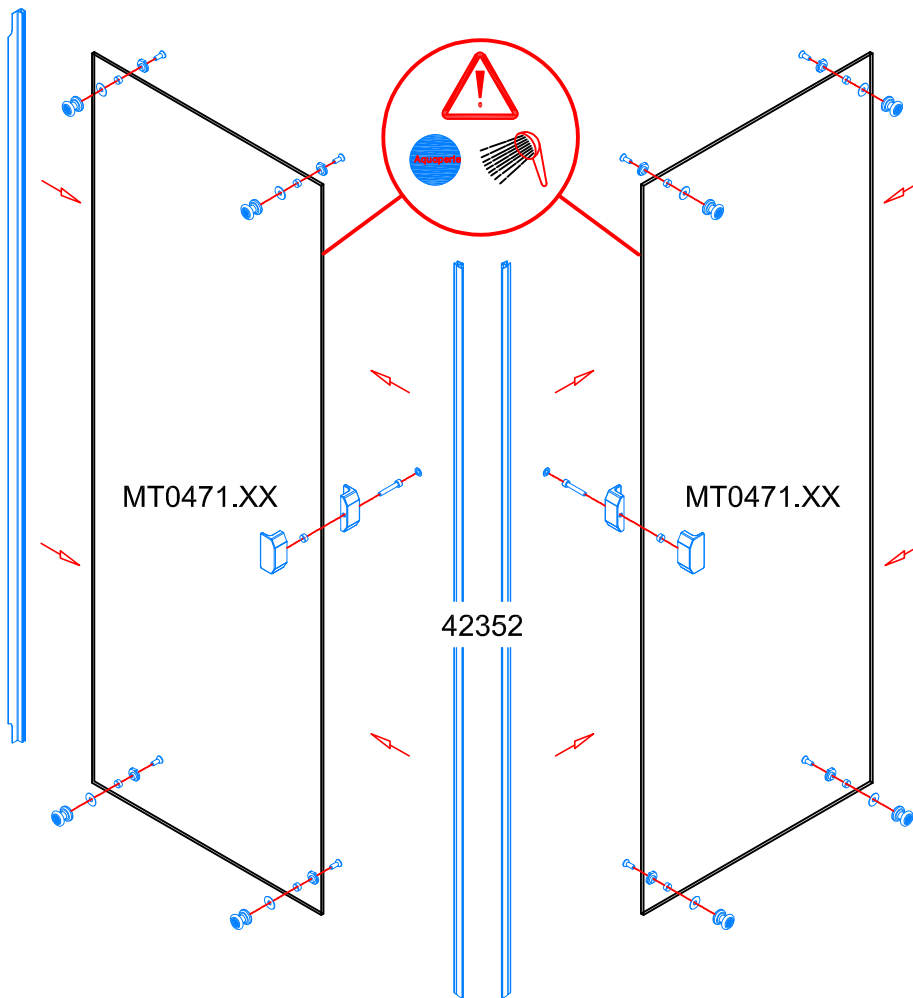
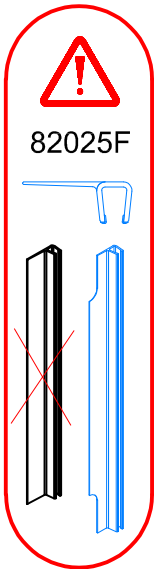
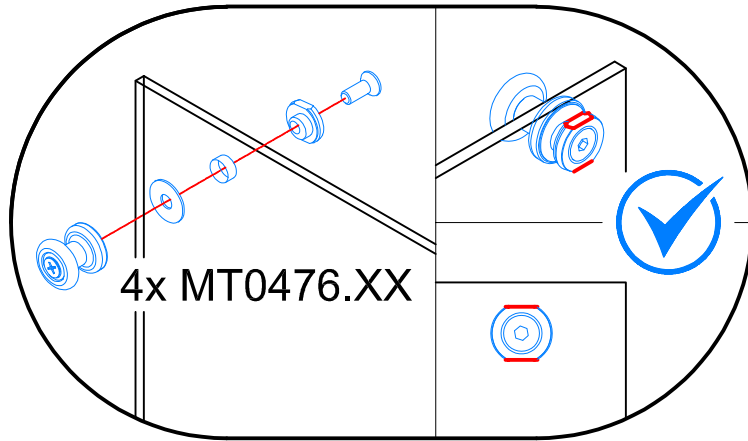


2

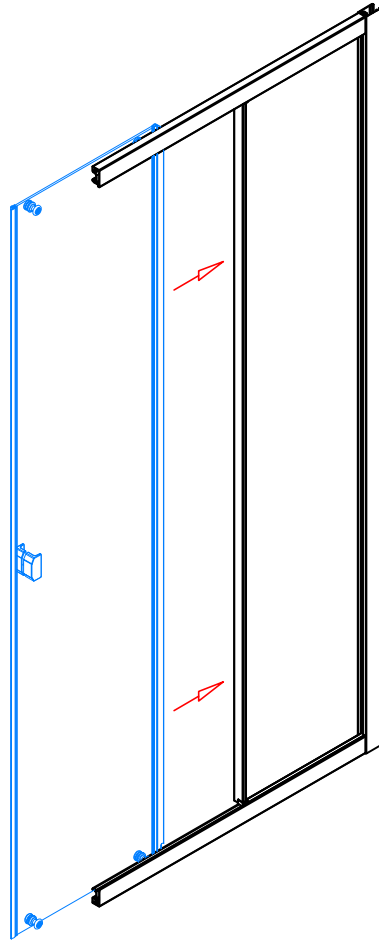
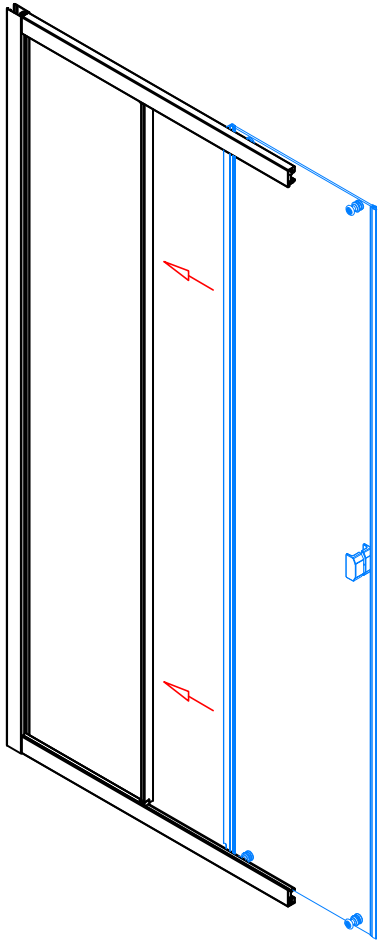
3

1

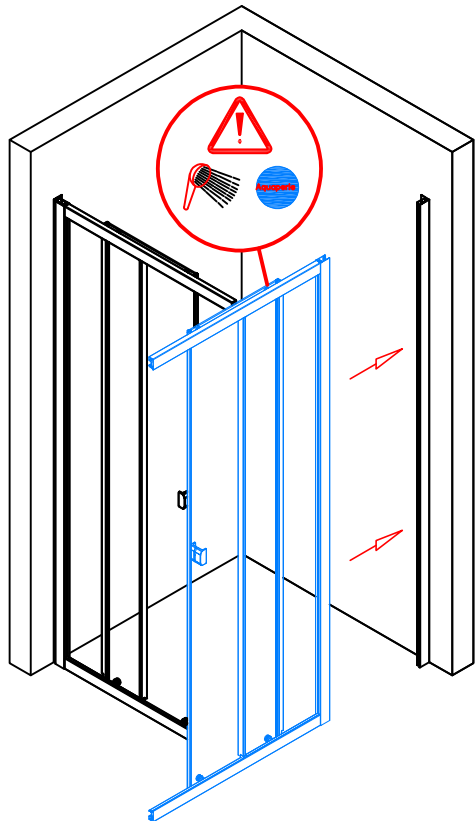
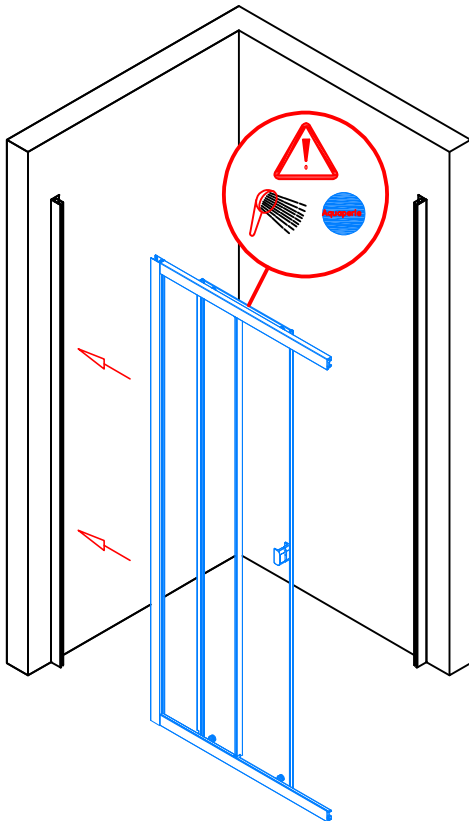
10.



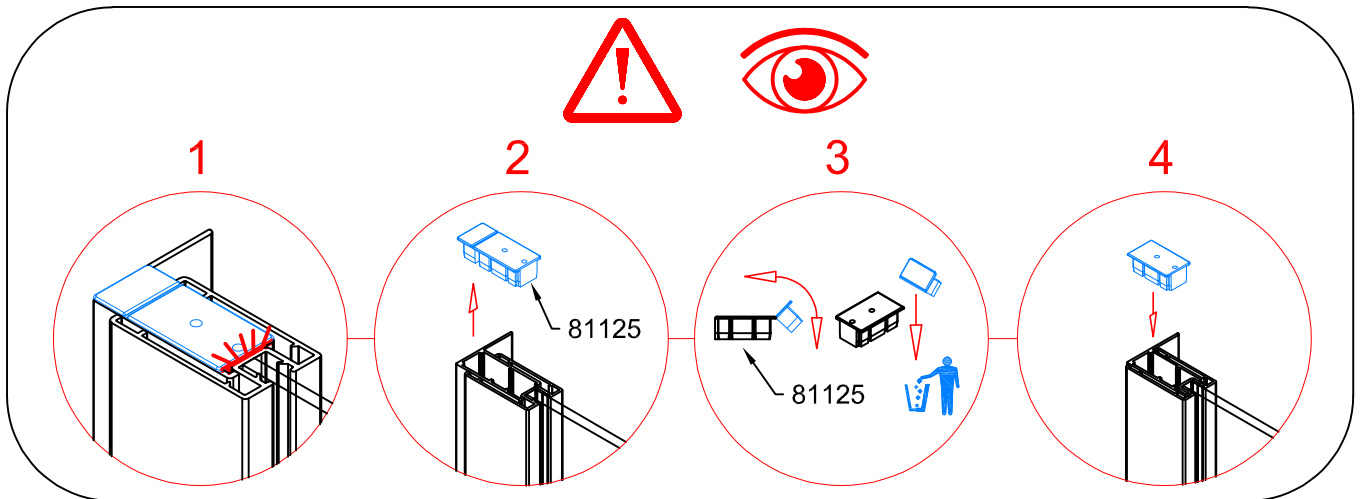
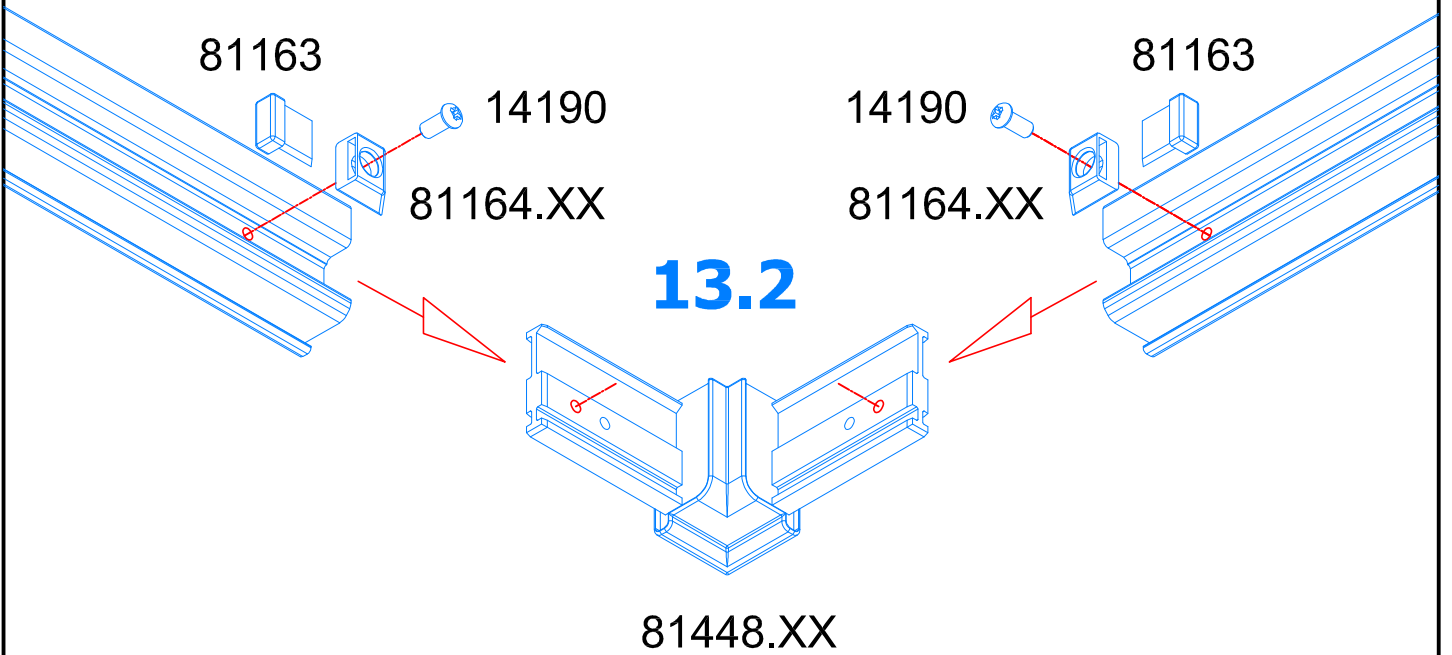
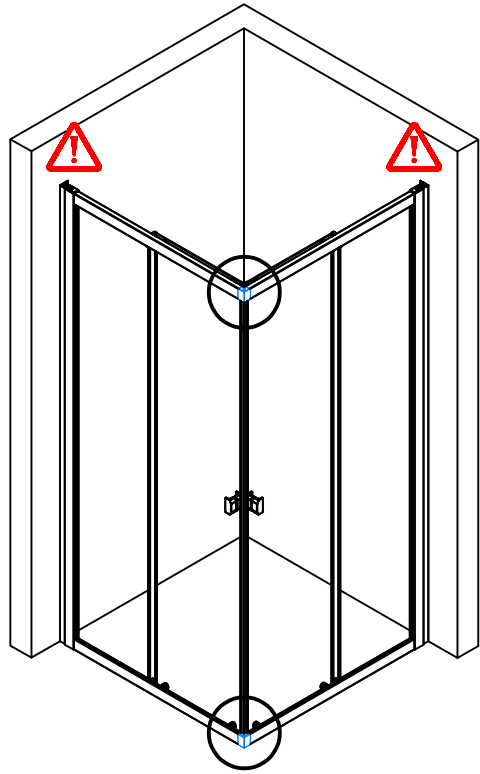
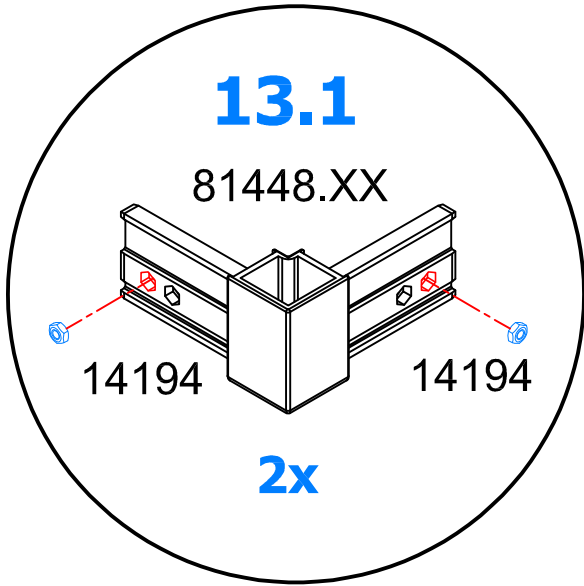
11.



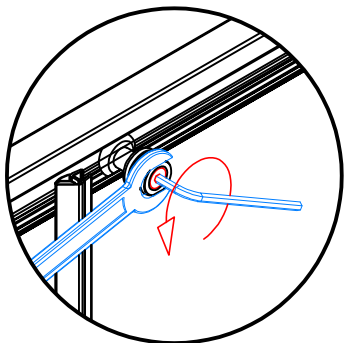
12.



13.1 → 13.2

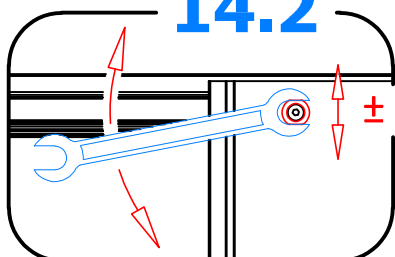


14.1



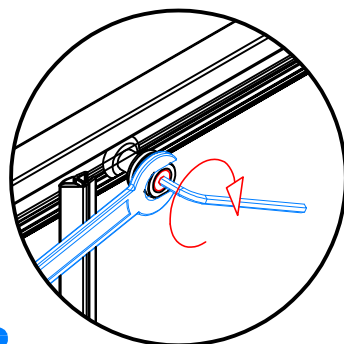
14.1 → 14.5

14.2

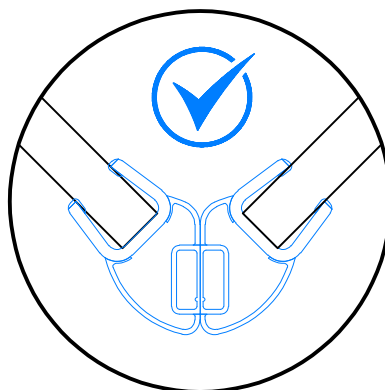


± 1.5 mm

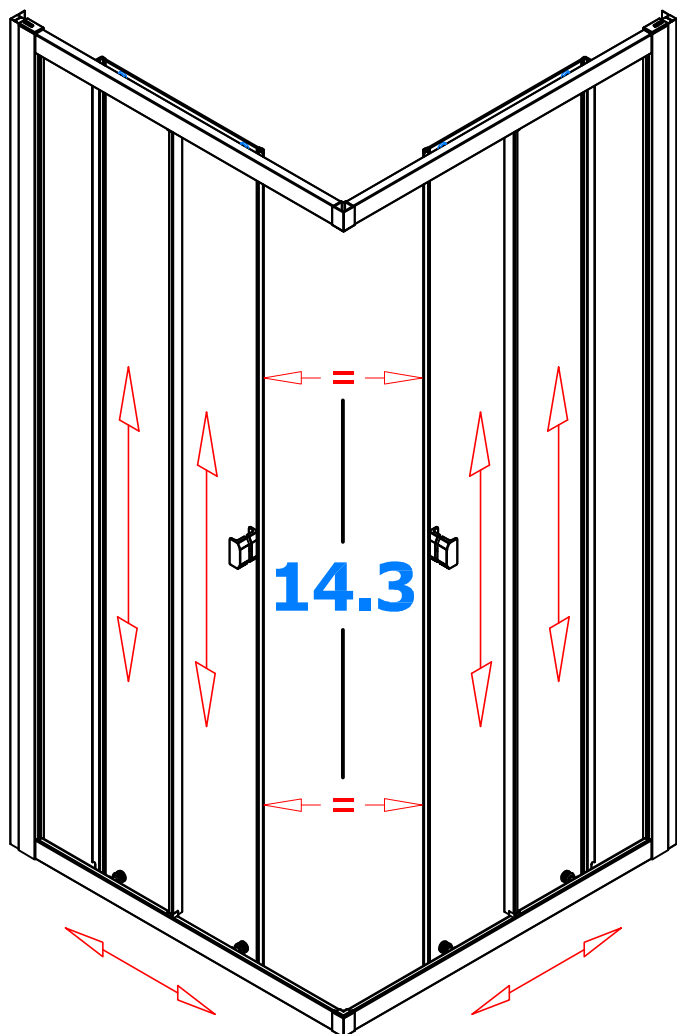
14.4



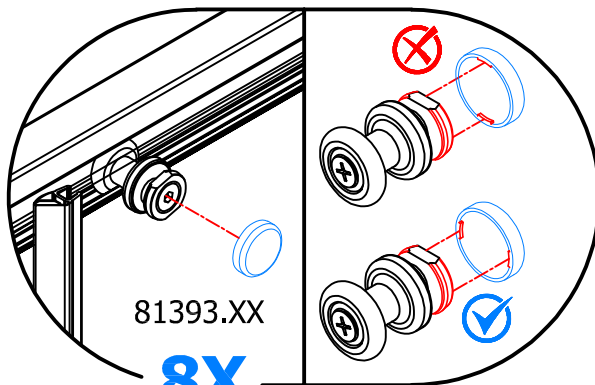
14.3



14.3



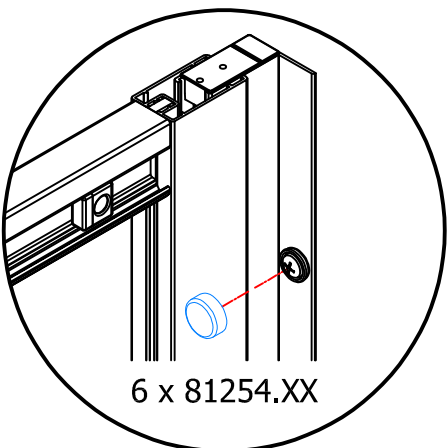
14.5



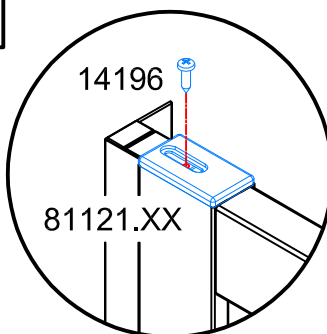
81393.XX

8X

15.

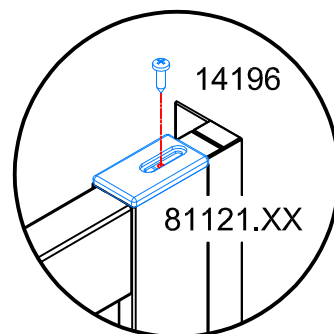


6 x 81254.XX



14196

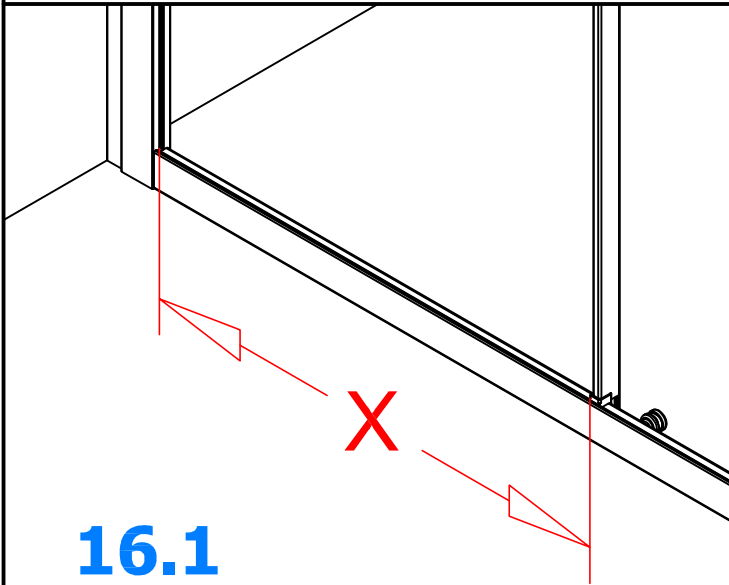
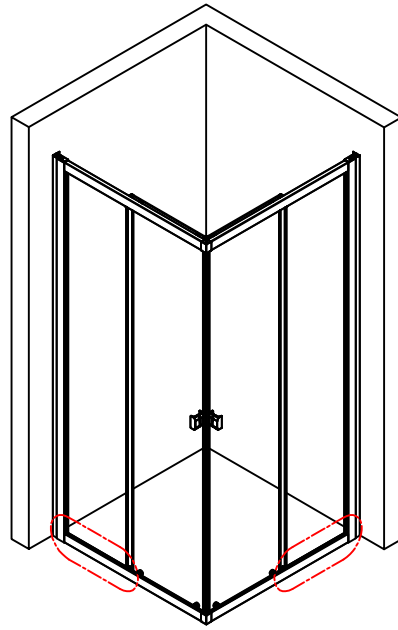
81121.XX



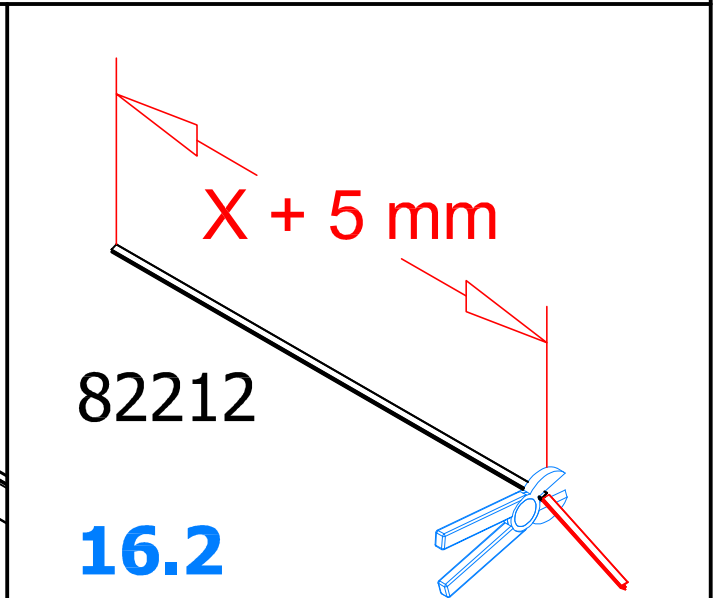
14196

81121.XX

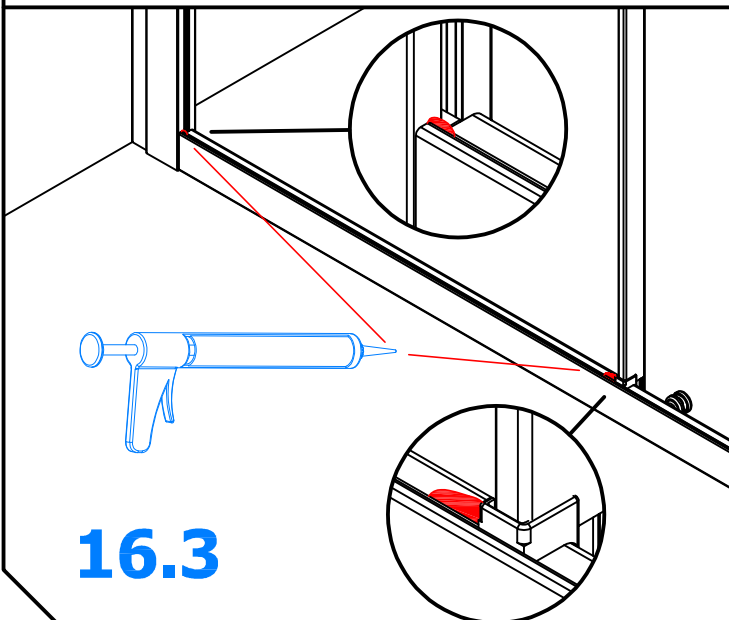
16.1 → 16.4



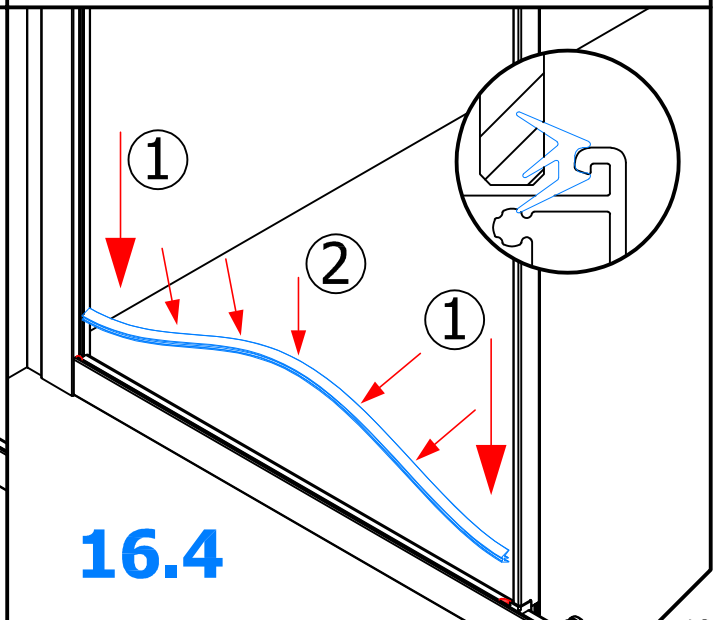
16.1



16.2



16.3



16.4

17.

