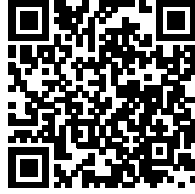
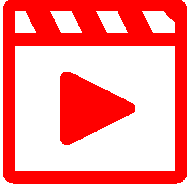


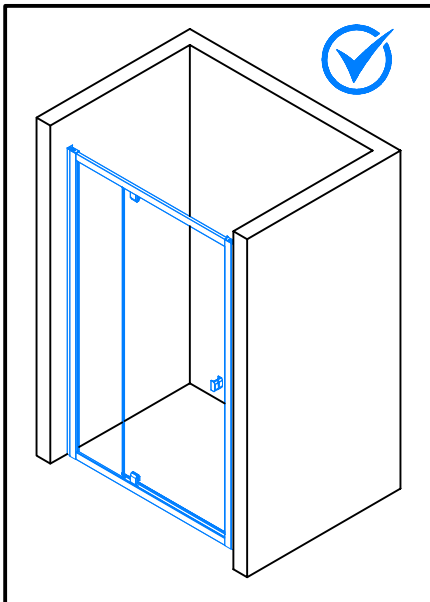
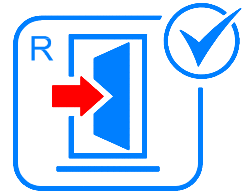
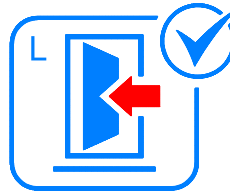
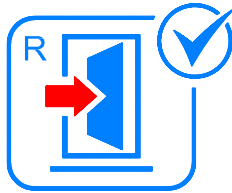
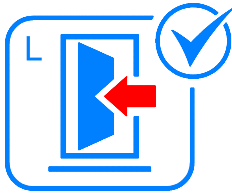
# 19798



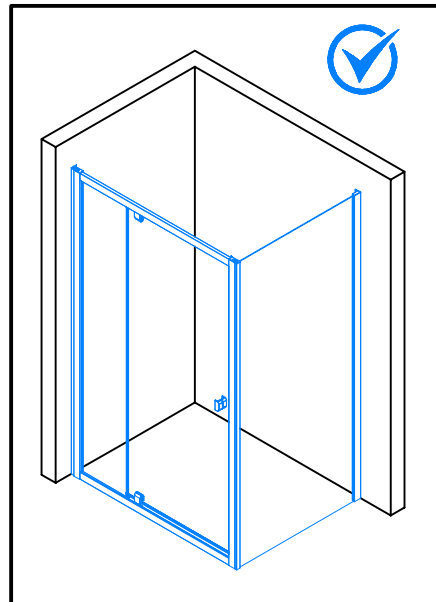
D20T13



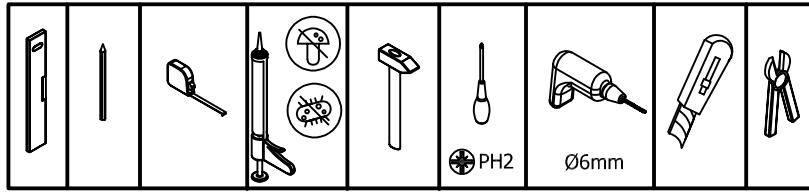
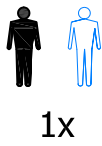
D20T13 + D20F1



**P1. → P12.**

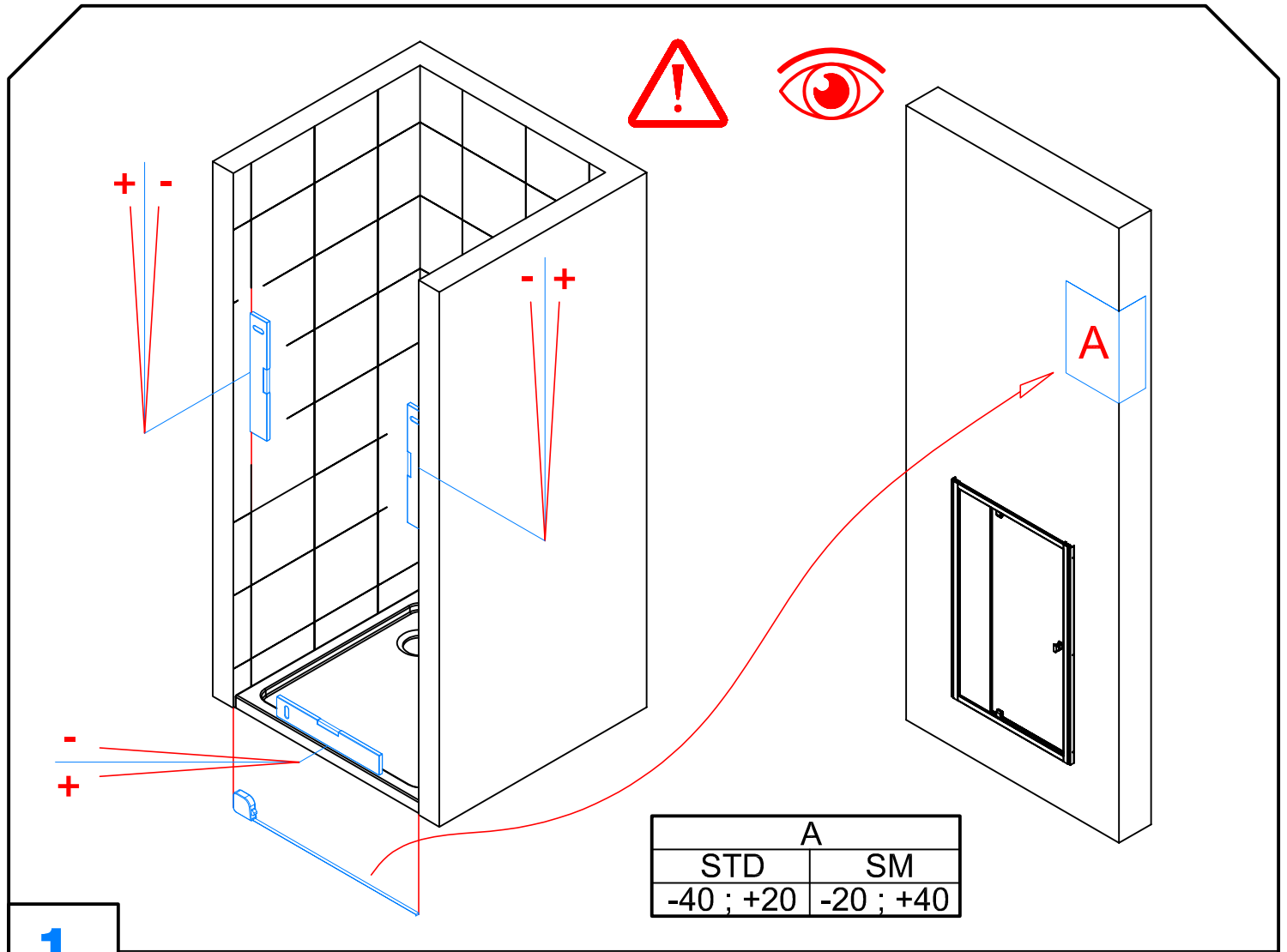


**P13. → P27.**

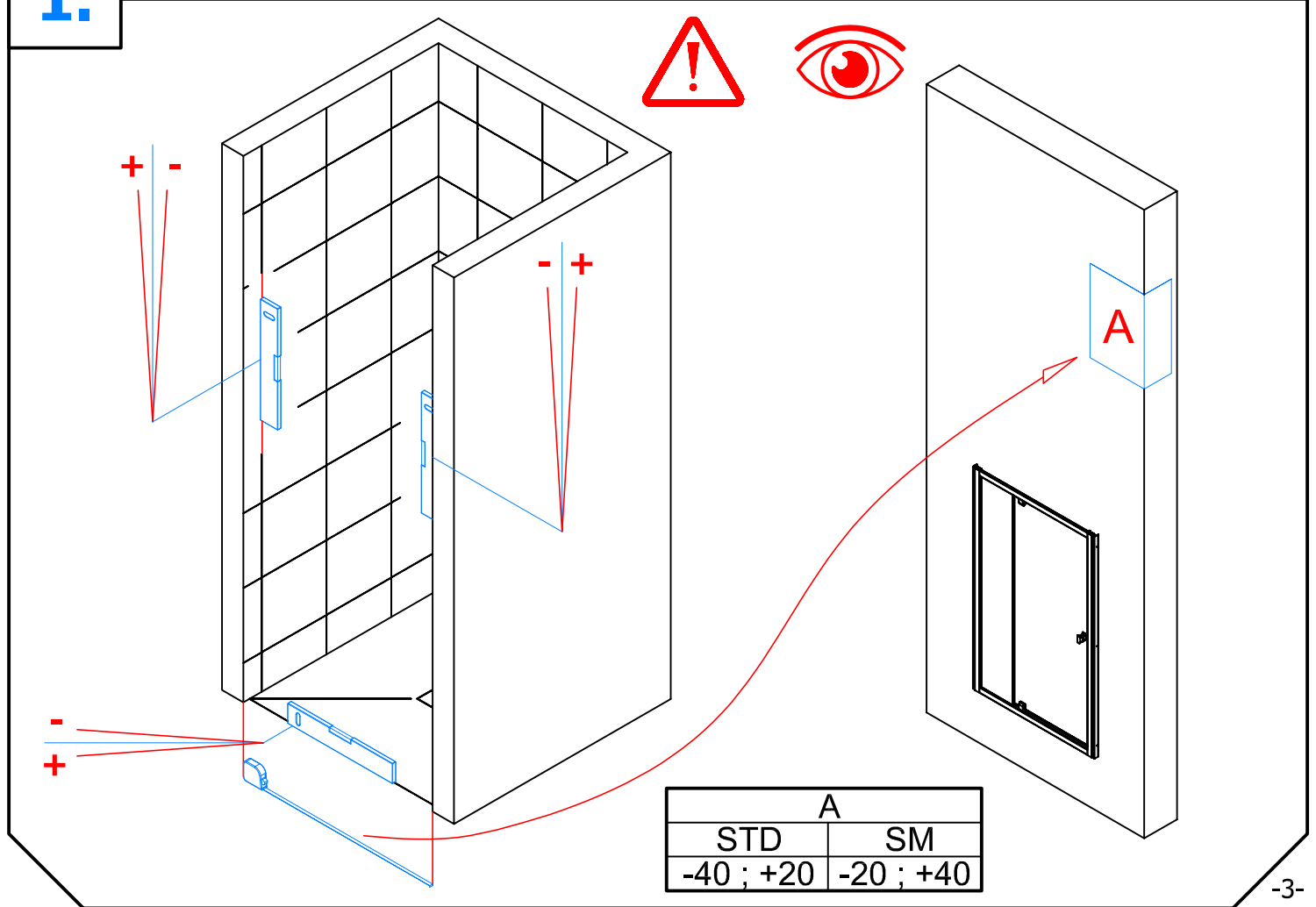


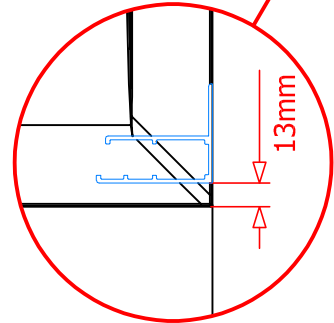
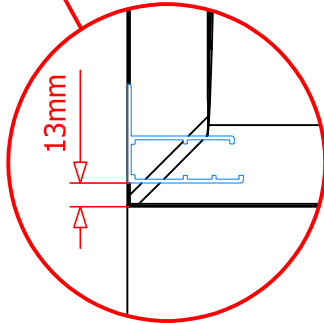
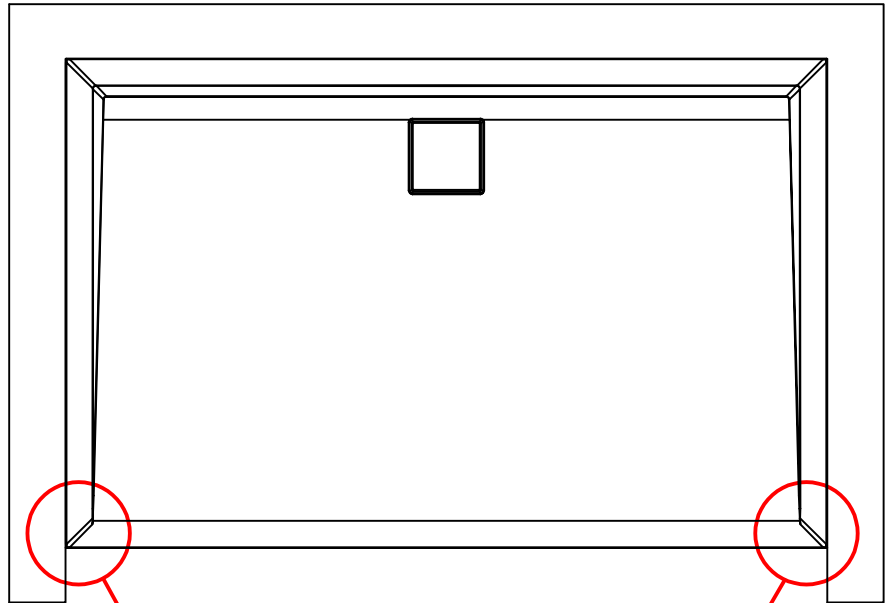
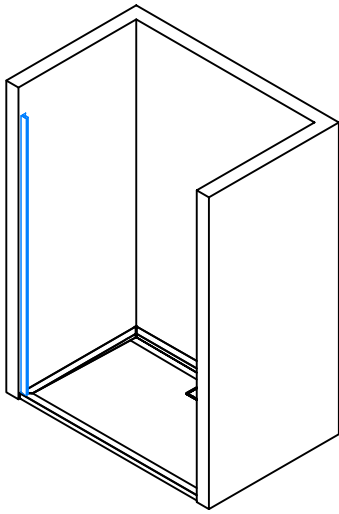
	1X 80041EXX.XXXX	2X 80002FXX.XXXX	1X 42352TR.XXXX	1X 82027.XXXX	
		80037F3XXX.XXXX			82212.XXXX
	80037F4XXX.XXXX			1X 82023.XXX	

	6 x 16000 ø 6mm				
	6 x 14295 4.2 X 32mm	8 x 14016 3.5 X 25mm	2 x 14196 3.5 X 13mm	6 x 14003 3.5 X 9.5 mm	2 x 81076.XX
					6 x 81253
					6 x 81254.XX
					1 x 17156 5 mm

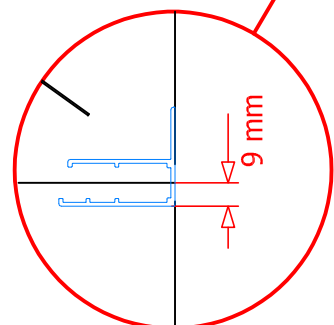
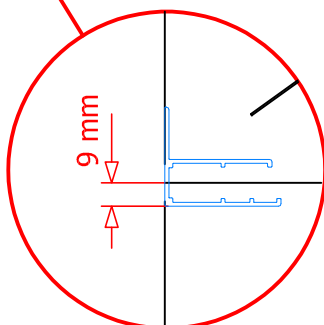
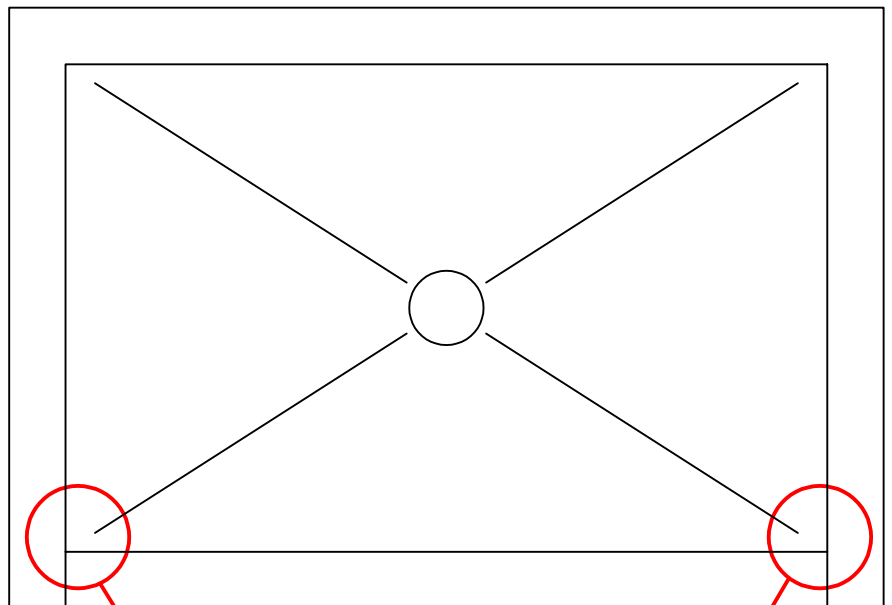
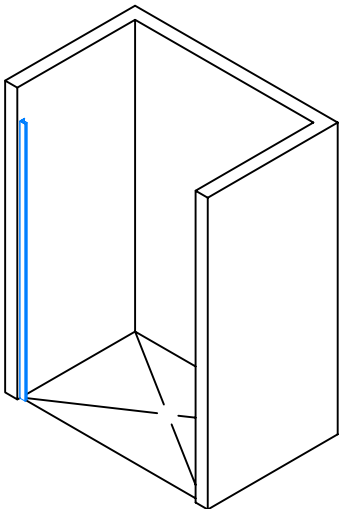


1.

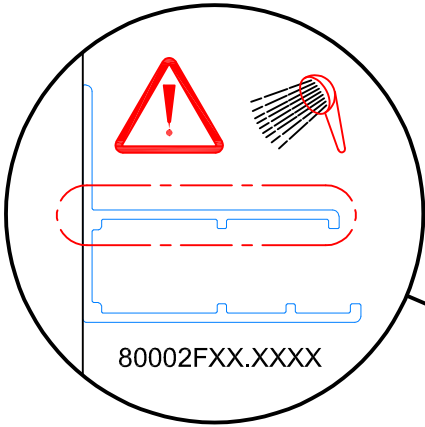




2. 

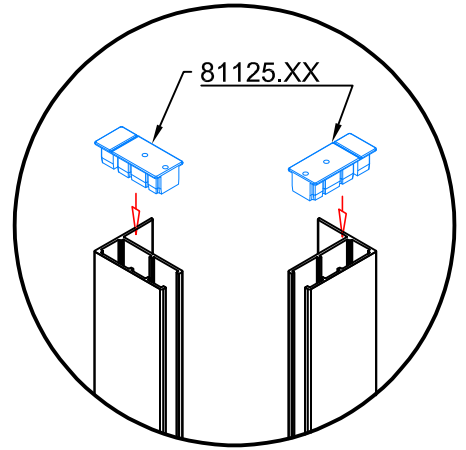
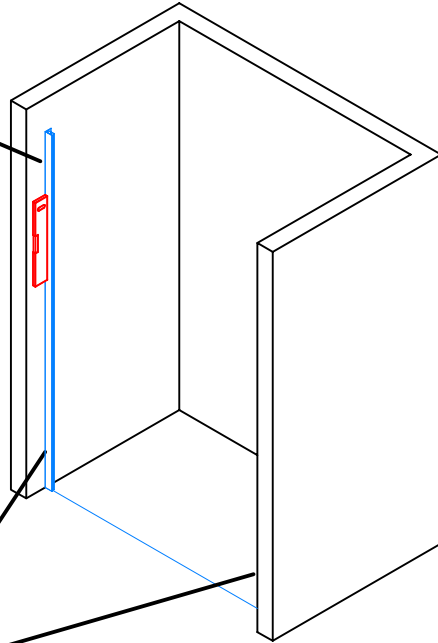


**3.1 → 3.4**

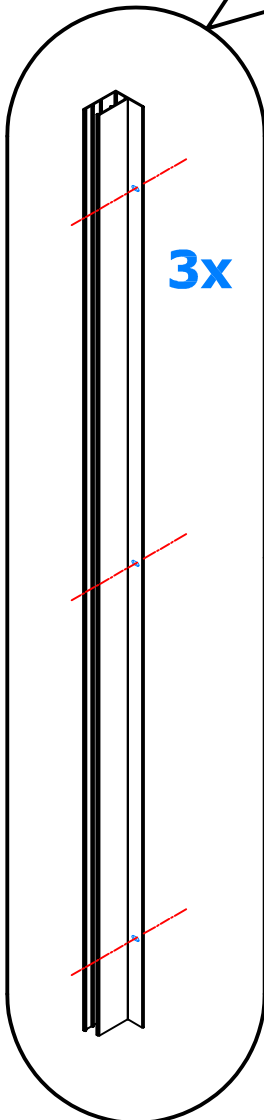


**3.1**

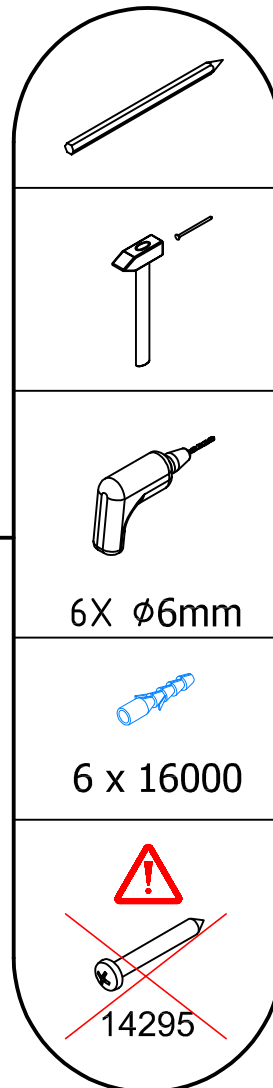
**3.2**



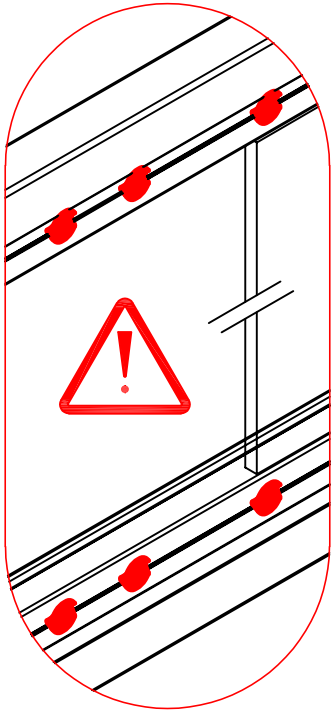
**3.4**



**3.3**



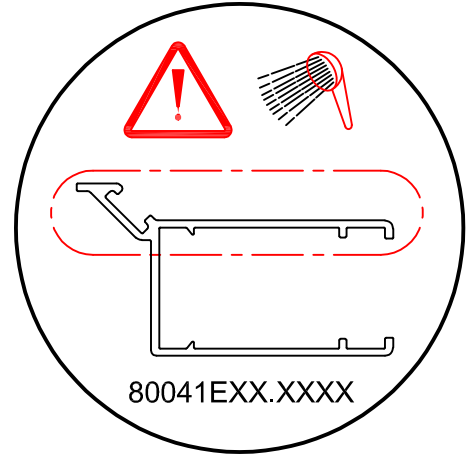
4.



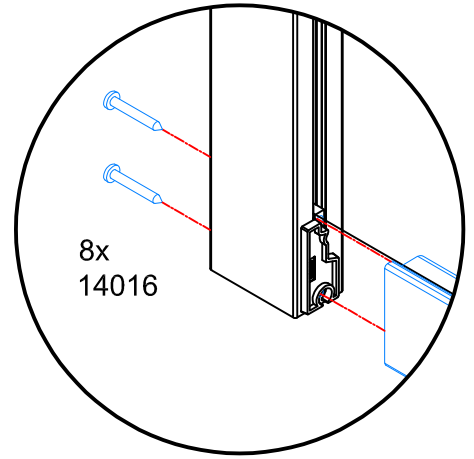
80037F3

80041E

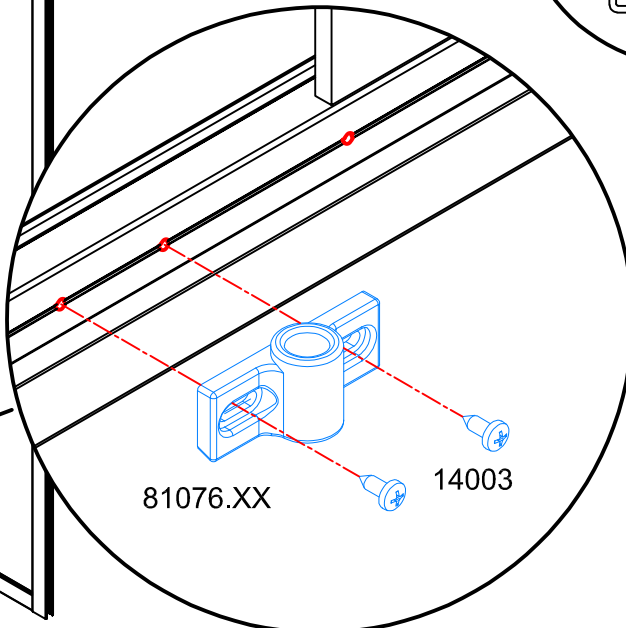
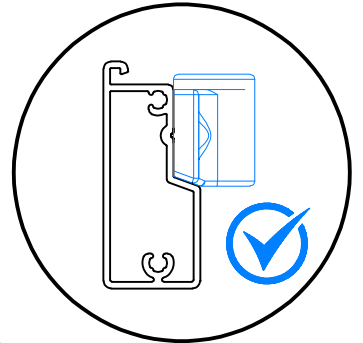
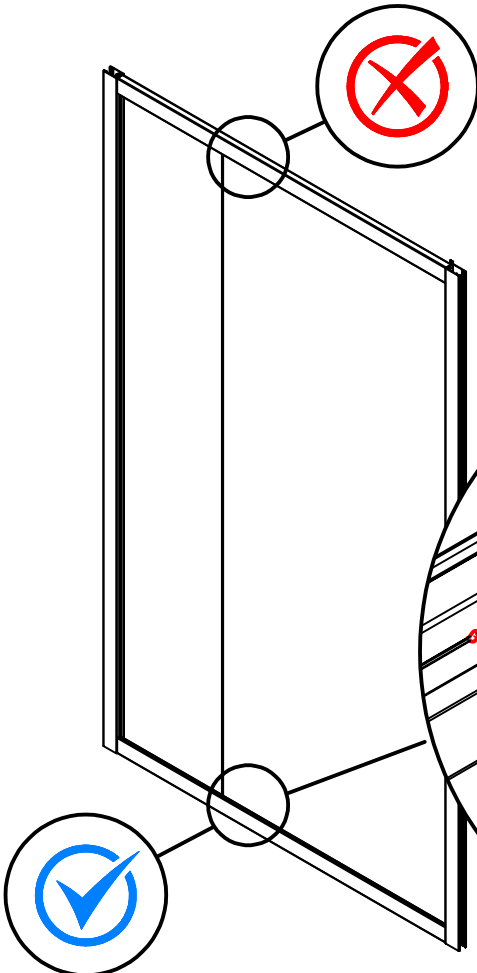
80037F4



80041EXX.XXXX



5.

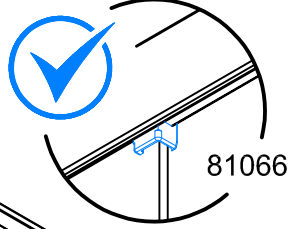
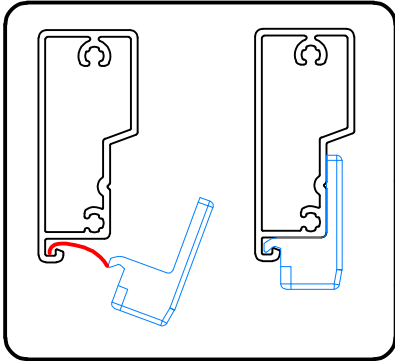


81076.XX

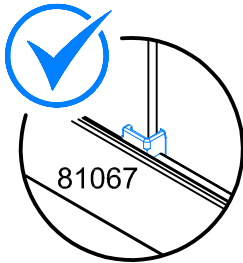
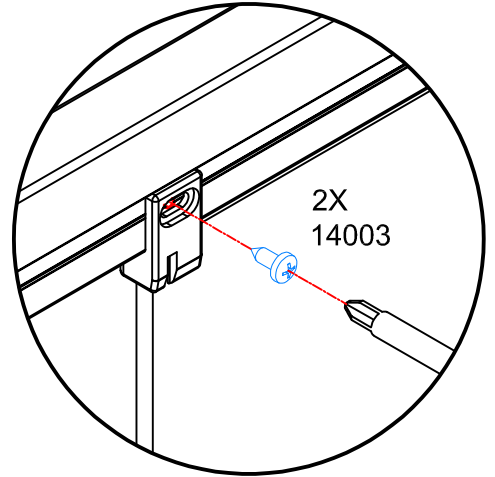
14003

6.1 → 6.2

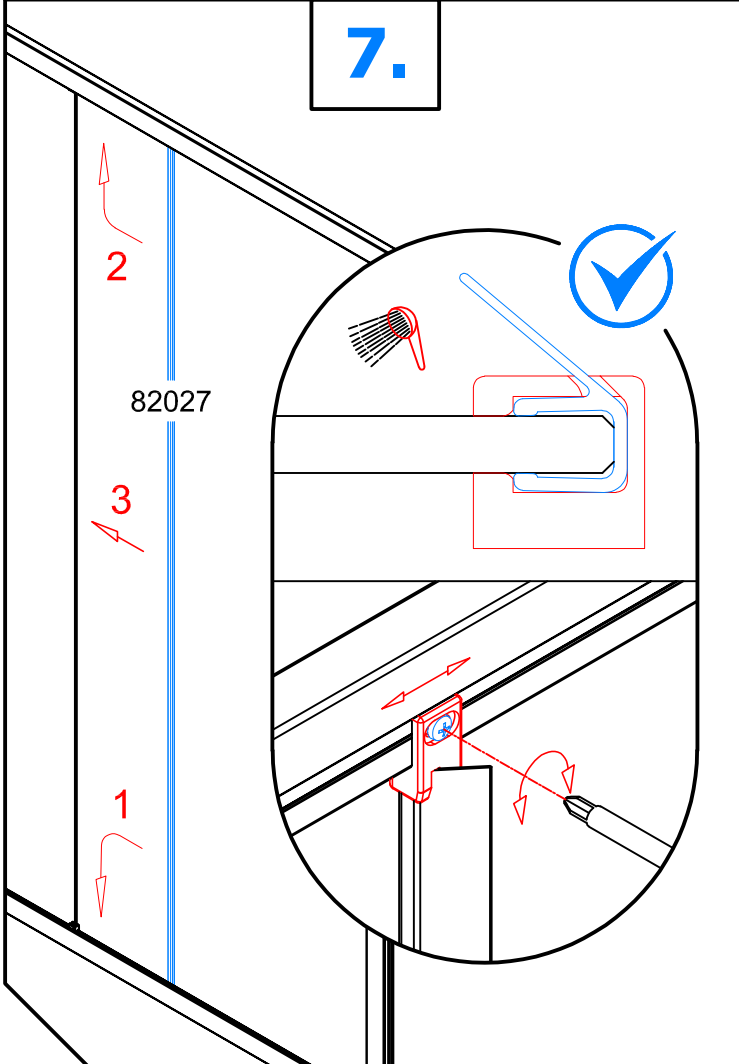
6.1



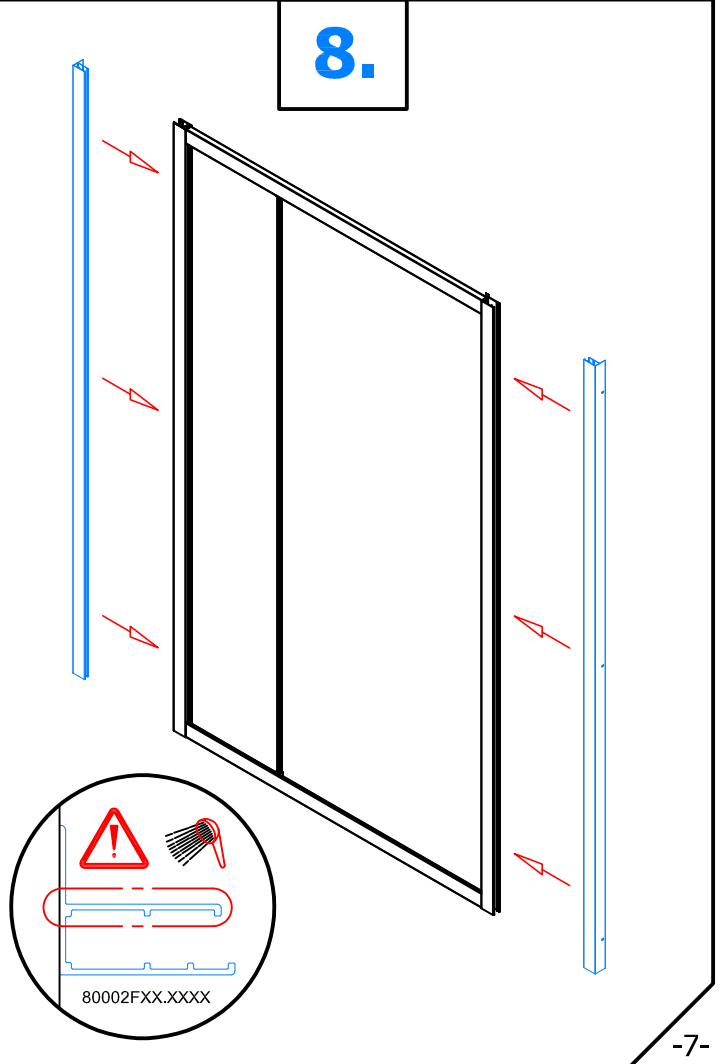
6.2



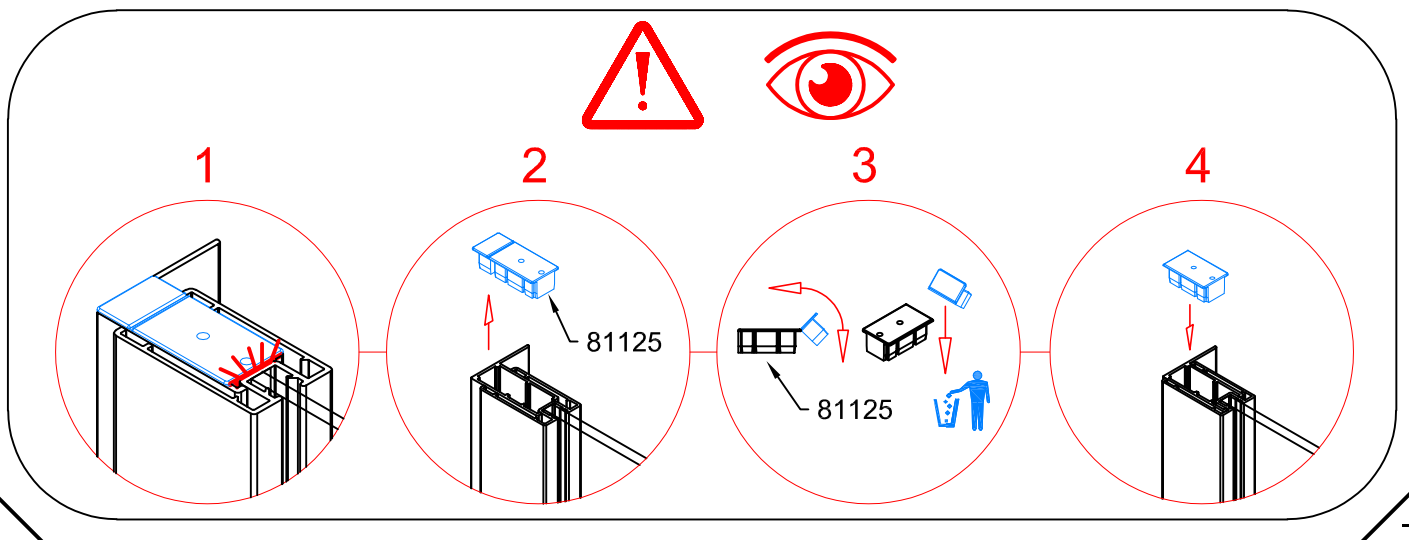
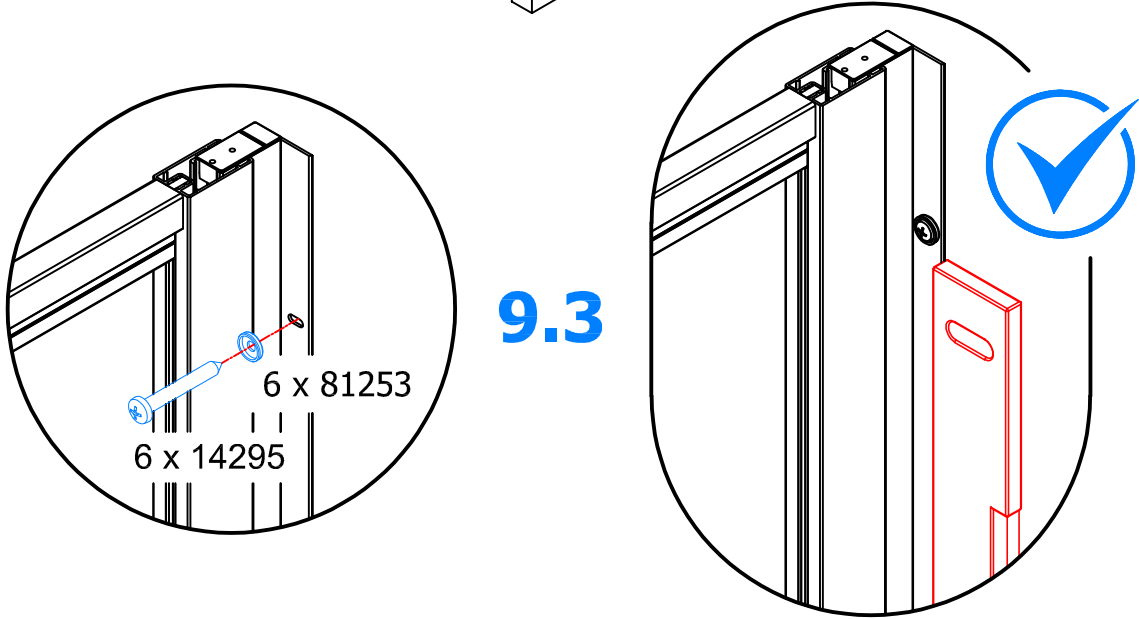
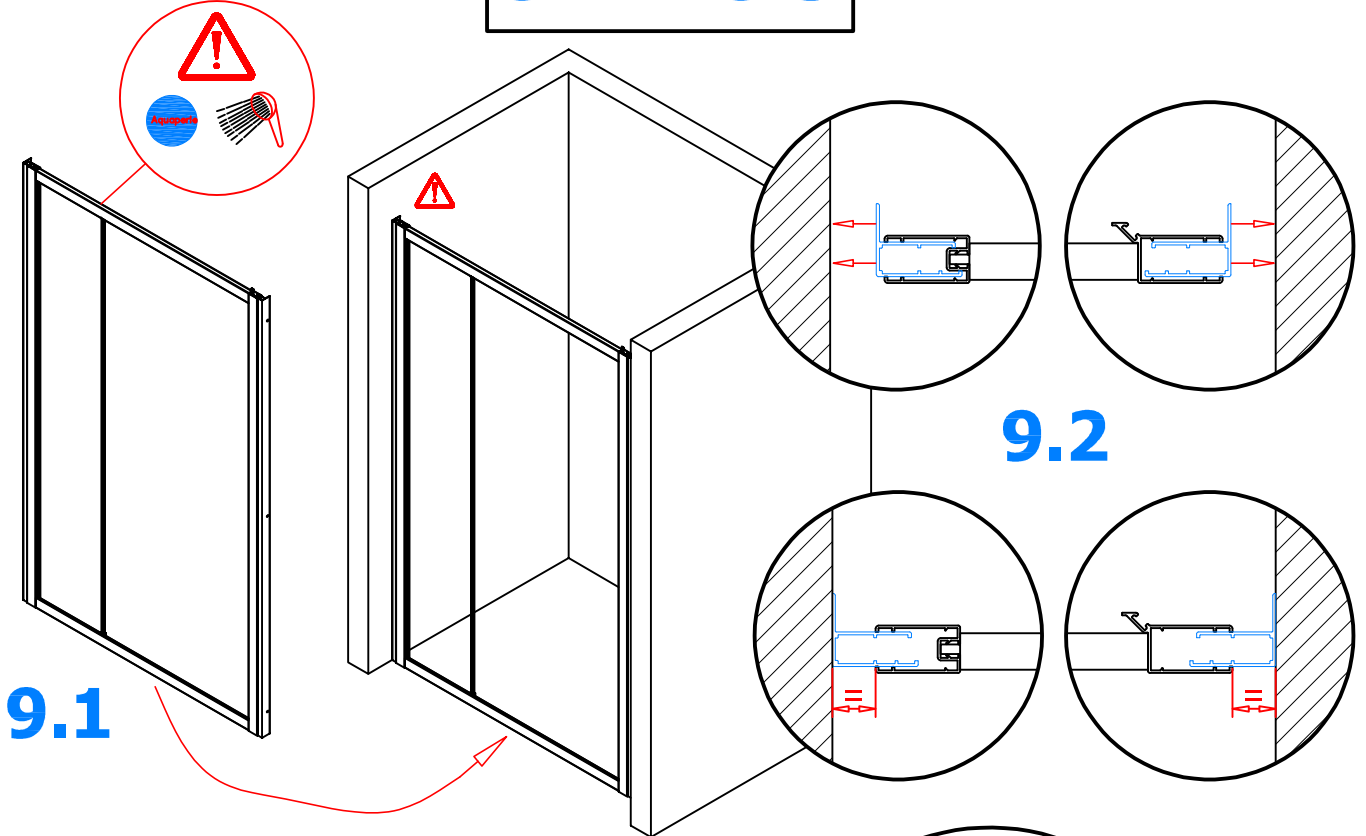
7.



8.



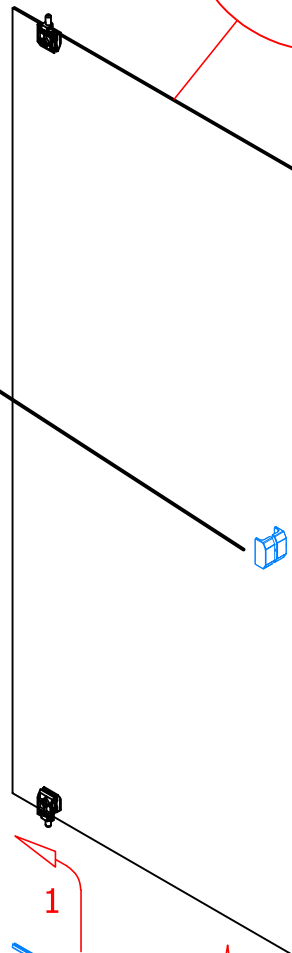
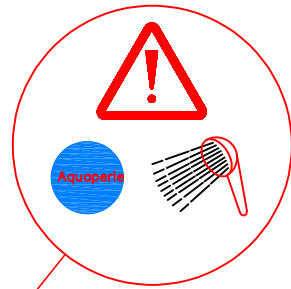
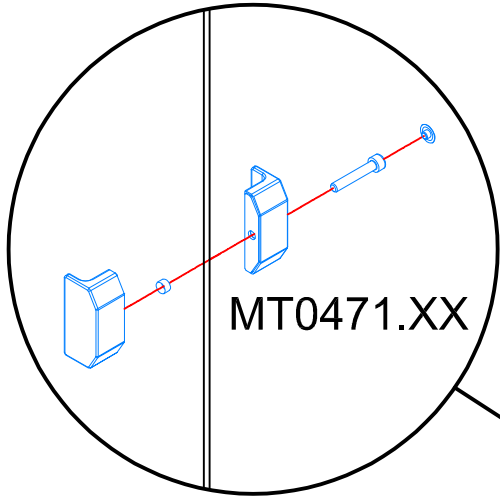
9.1 → 9.3



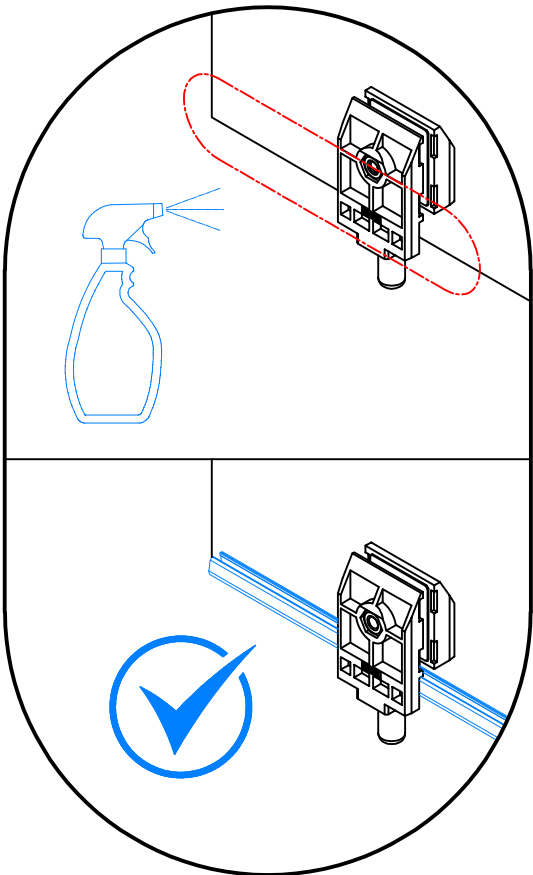


**10.1 → 10.3**

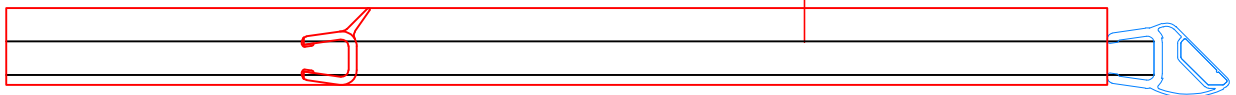
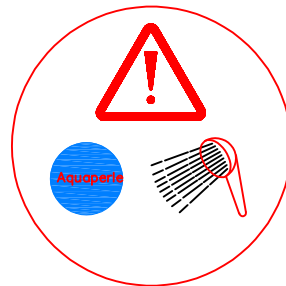
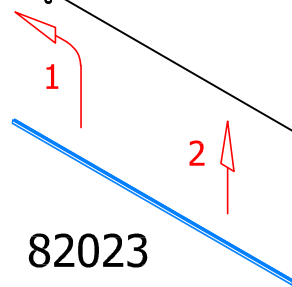
**10.1**



**10.2**



**10.3**



11.1 → 11.3

11.3

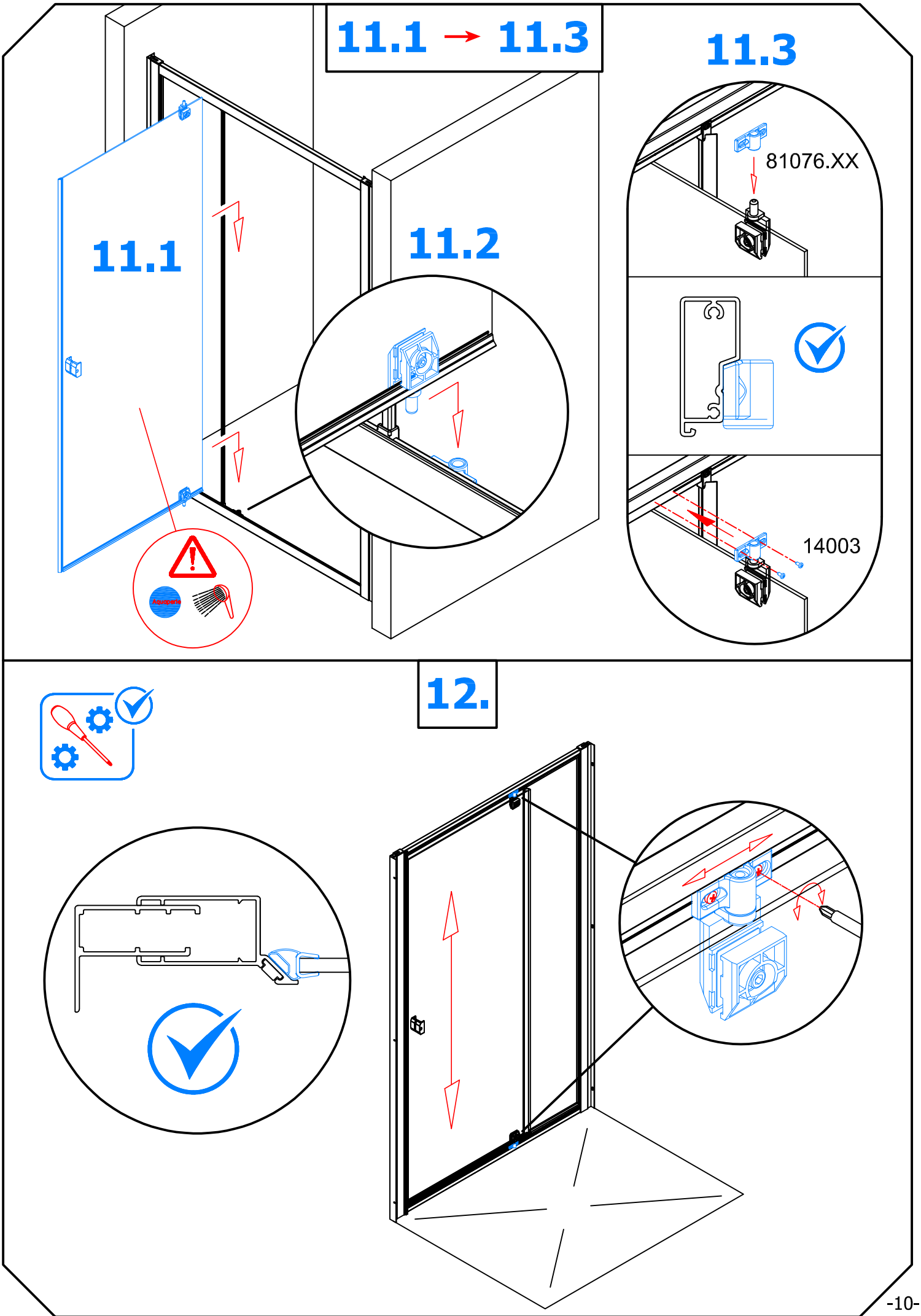
11.1

11.2

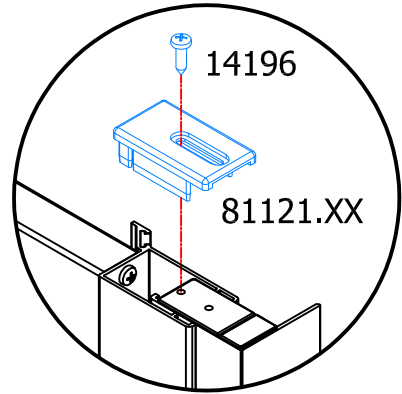
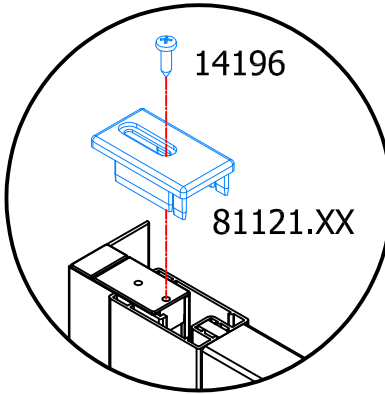
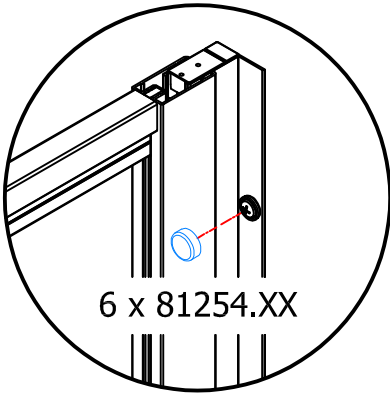
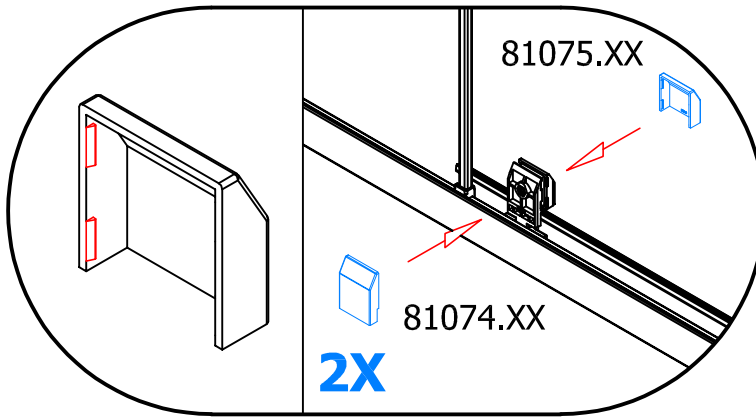
81076.XX

14003

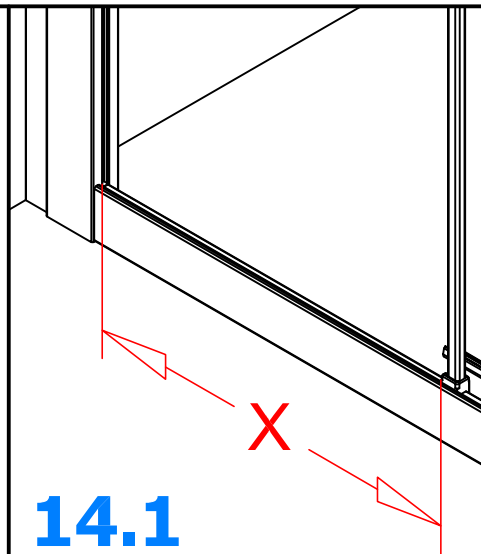
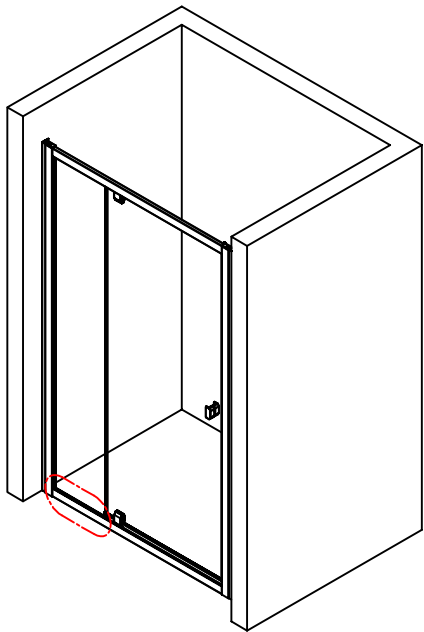
12.



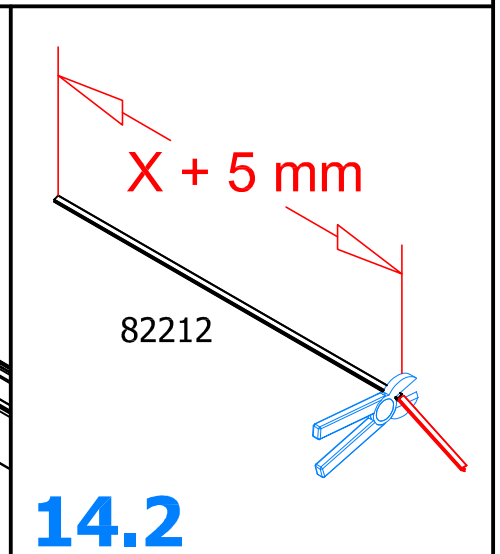
**13.**



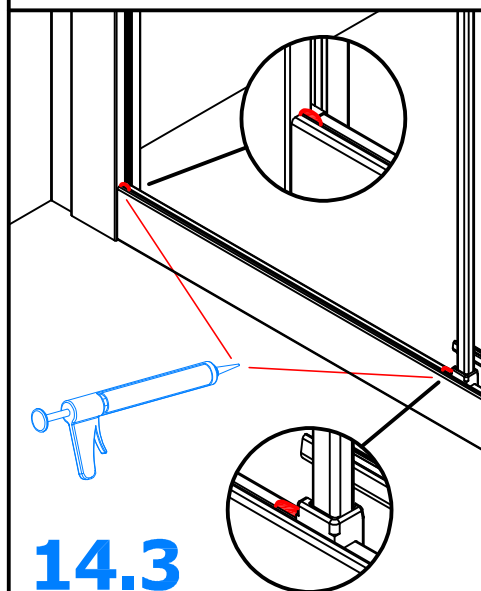
**14.1 → 14.4**



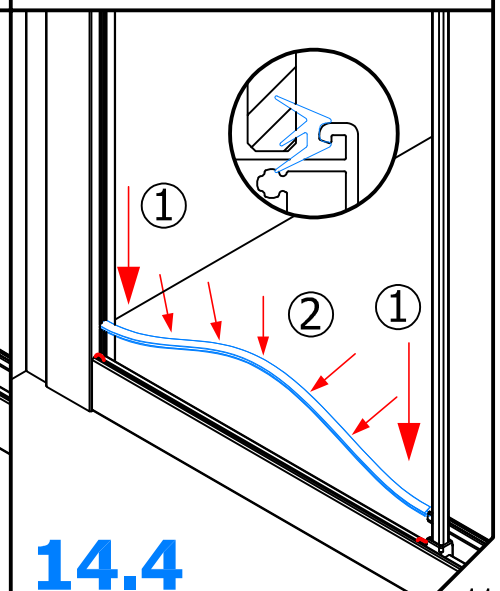
**14.1**



**14.2**

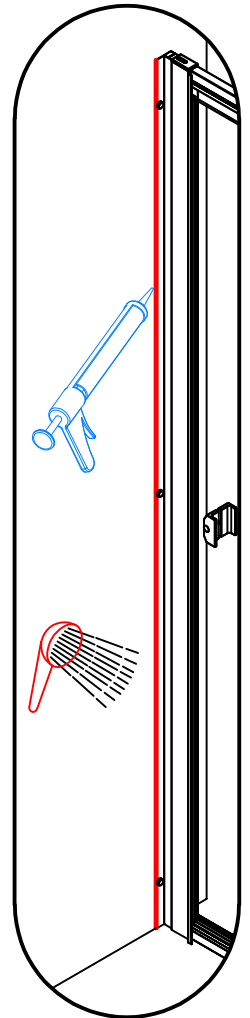
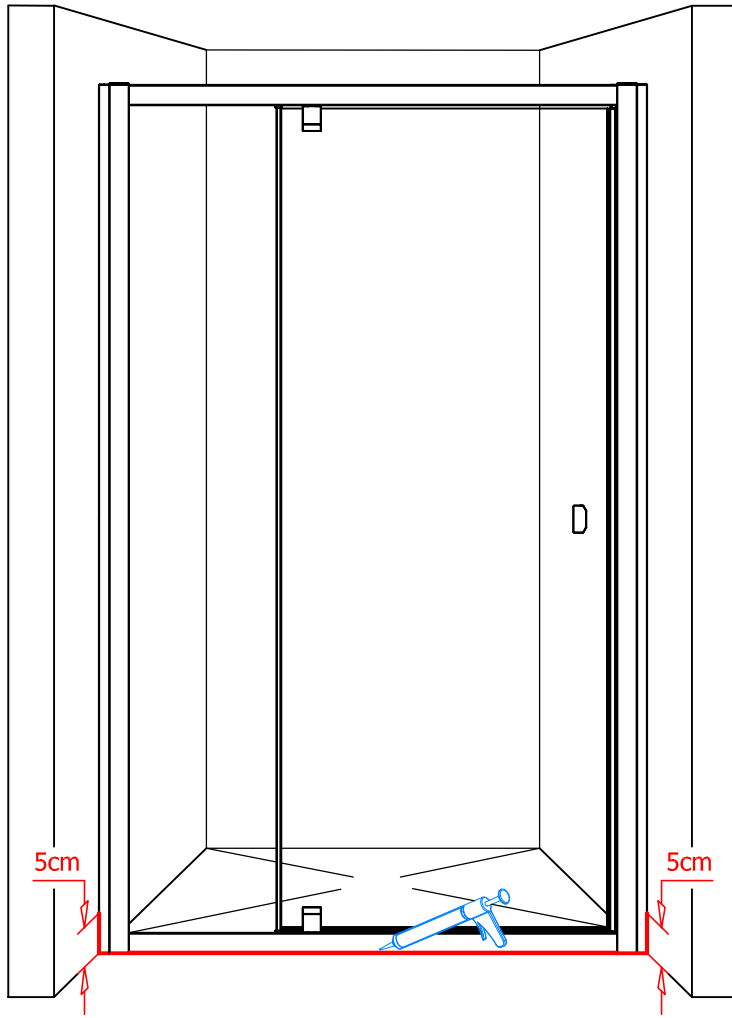
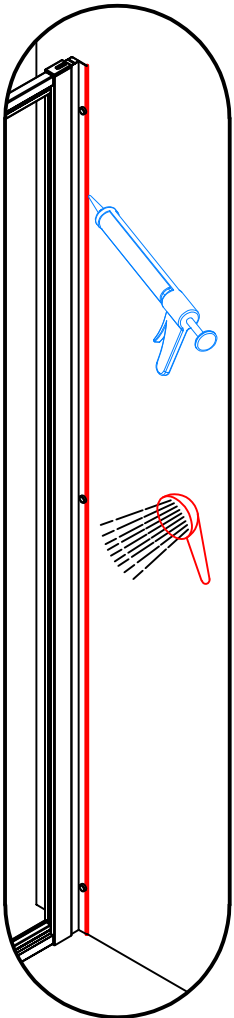
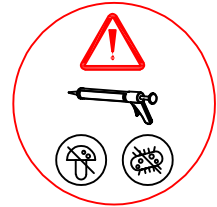
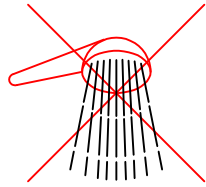
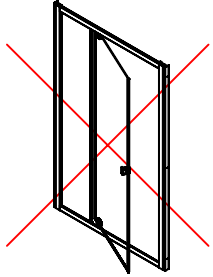


**14.3**



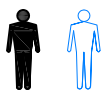
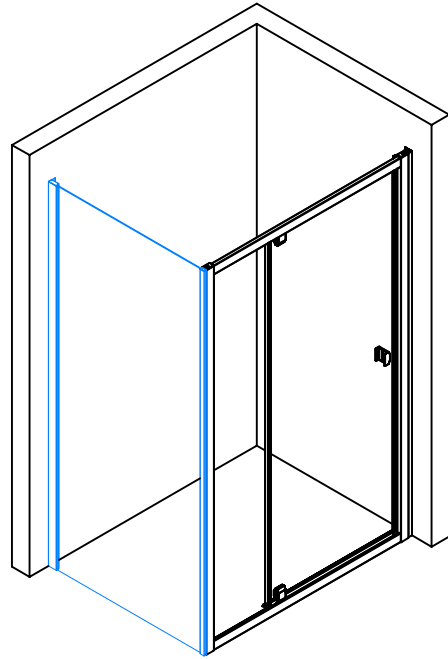
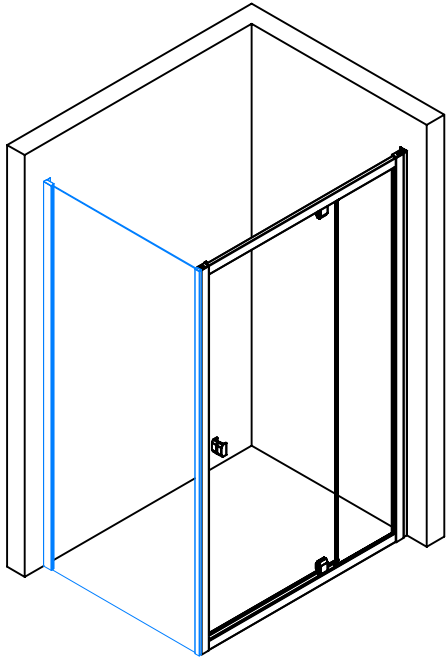
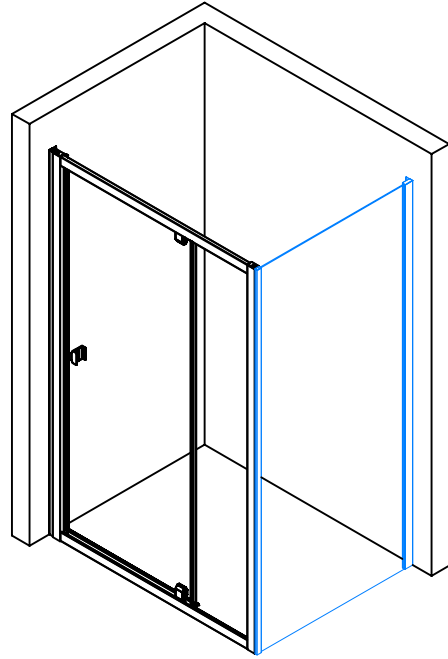
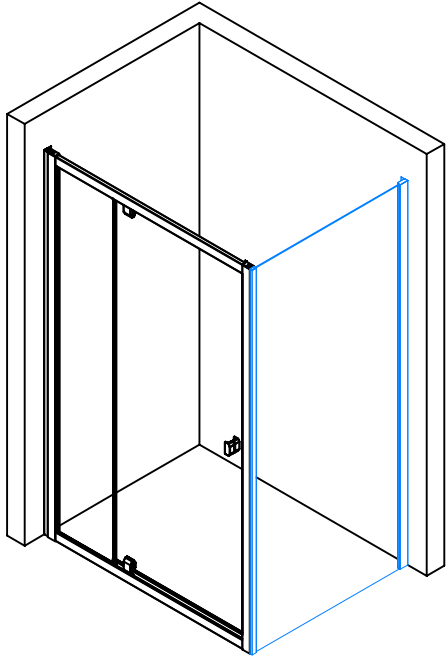
**14.4**

# 15.

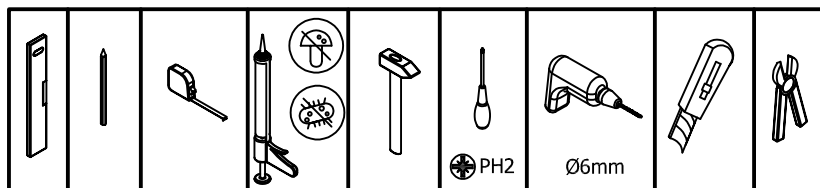




**P13. → P27.**



1x

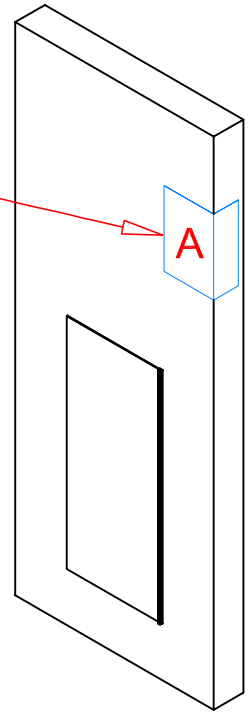
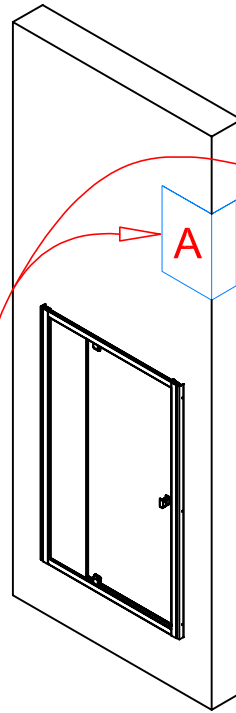
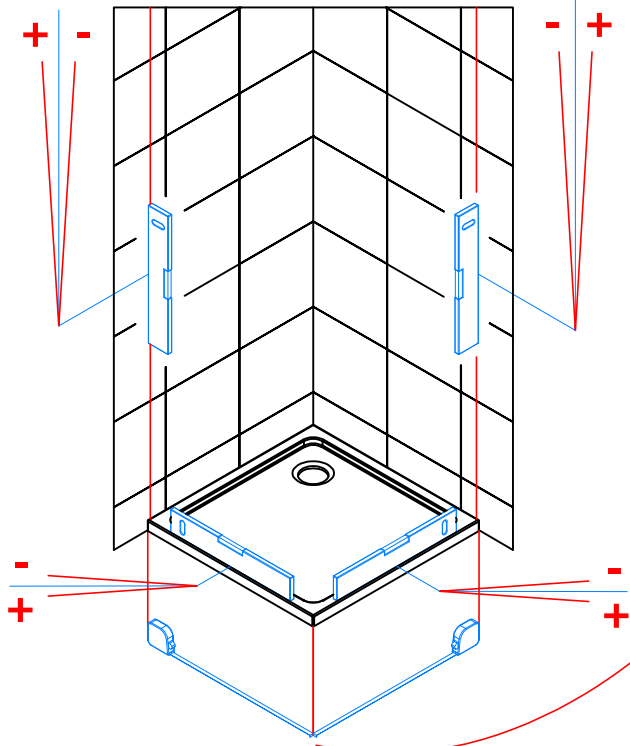


	1X 80041EXX.XXXX	2X 80002FXX.XXXX	1X 42352TR.XXXX	1X 82027.XXXX	
		80037F3XXX.XXXX			82212.XXXX
		80037F4XXX.XXXX			1X 82023.XXX

	6 x 16000 ø 6mm 					
	6 x 14295 4.2 X 32mm	8 x 14016 3.5 X 25mm	2 x 14196 3.5 X 13mm	6 x 14003 3.5 X 9.5 mm	2 x 81076.XX	
					6 x 81253	
1 x 81066	1 x 81067	2 x 81074.XX	2 x 81075.XX	6 x 81254.XX		
						1 x 17156 5 mm
2 x 81121.XX	2 x 81125.XX	1 x MT0471.XX	1 x 11221			

	1X 82006.XXXX		

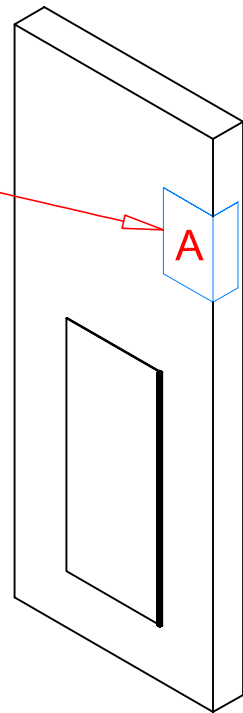
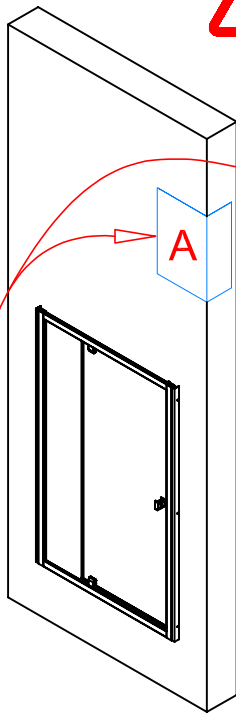
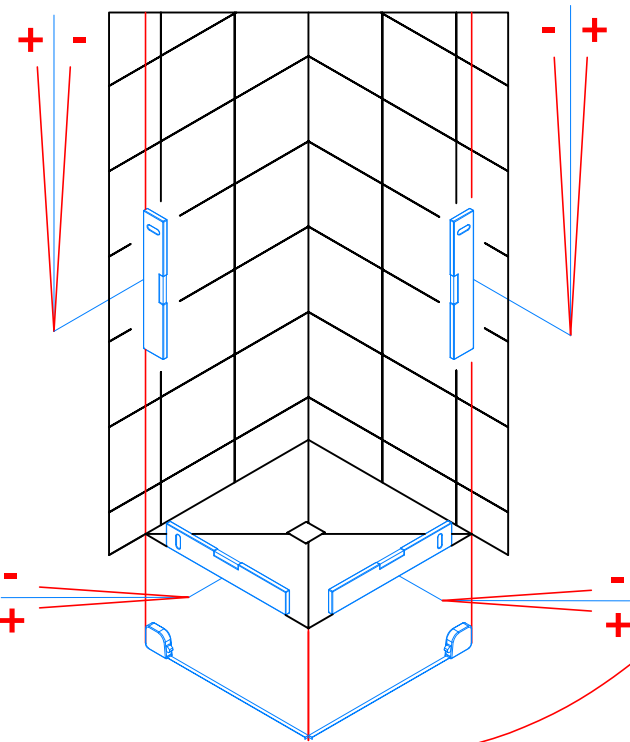
1 x 81122.XX	51209
1 x 81123.XX	1 x 81124.XX



A	
STD	SM
-20 ; +10	-10 ; +20

A	
STD	SM
-20 ; +5	-10 ; +15

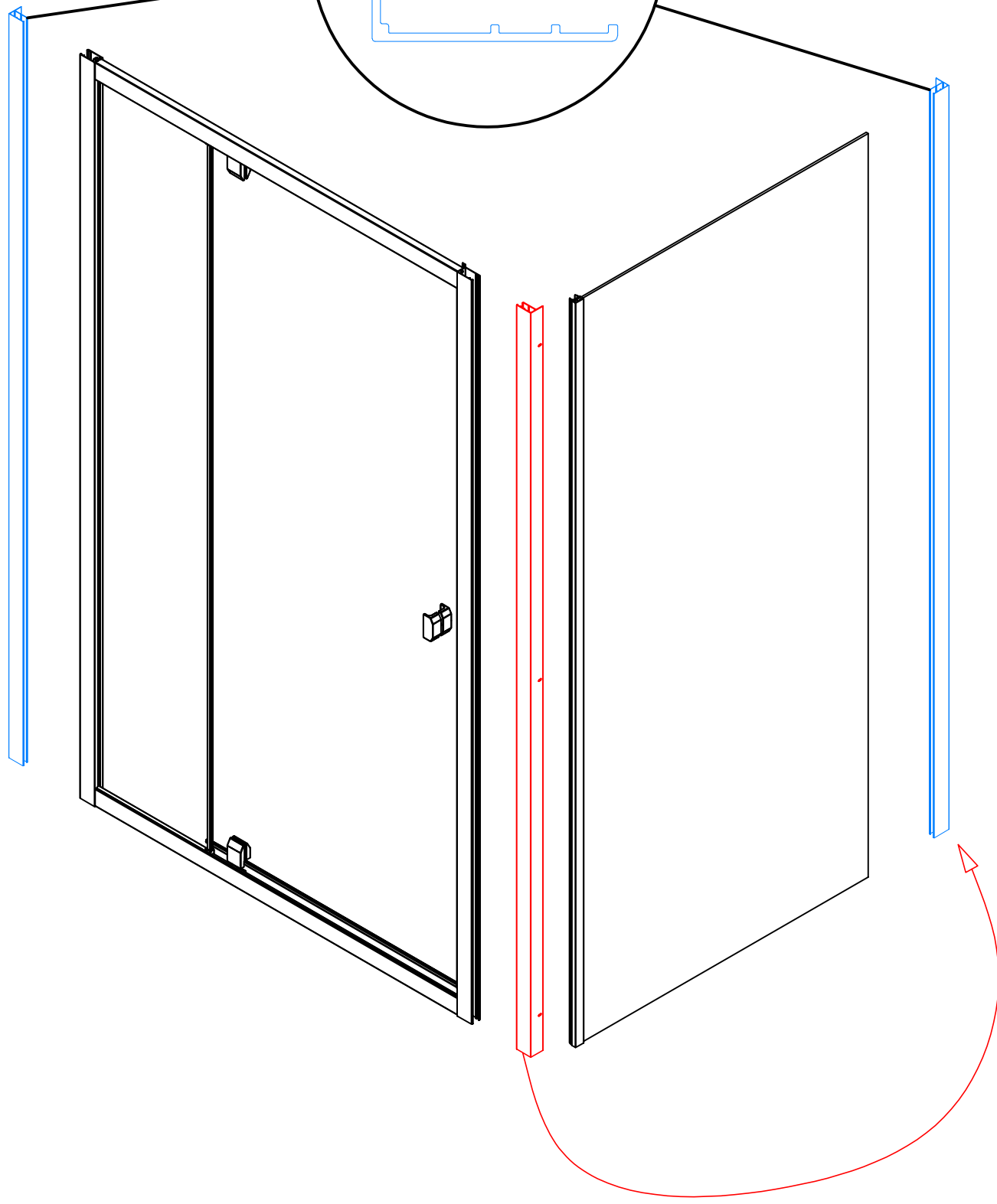
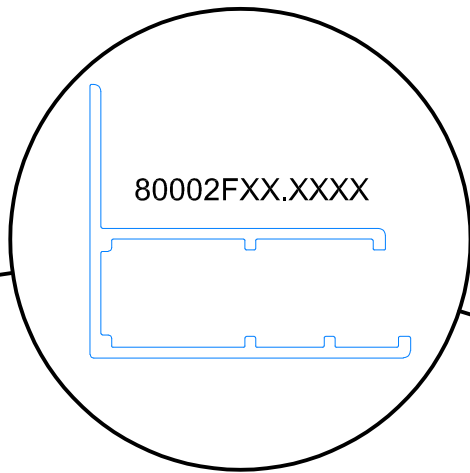
16.



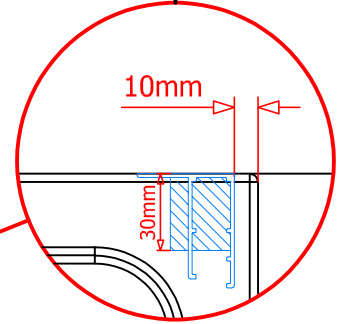
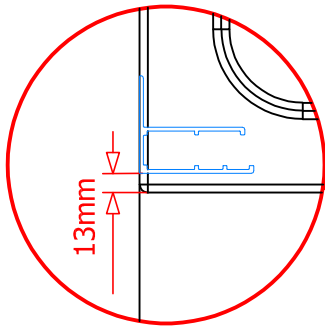
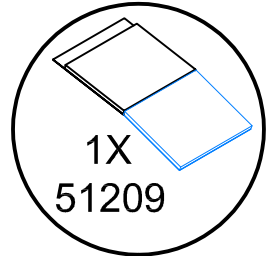
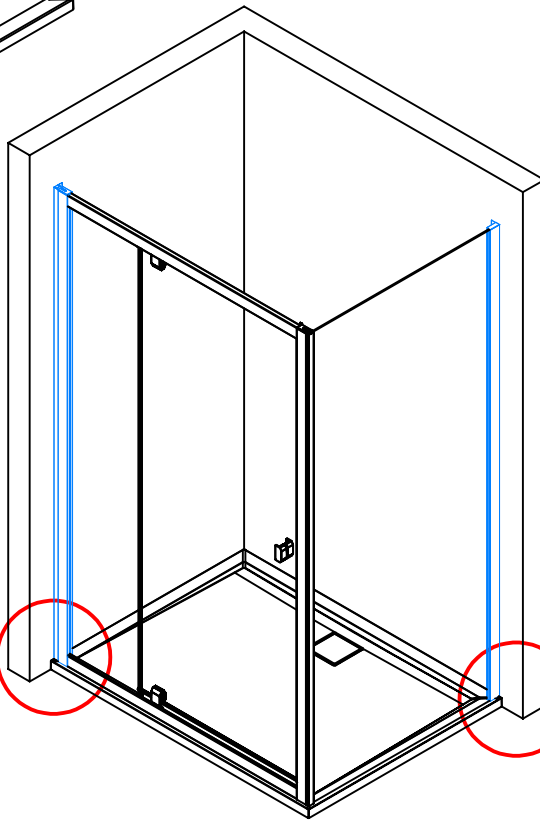
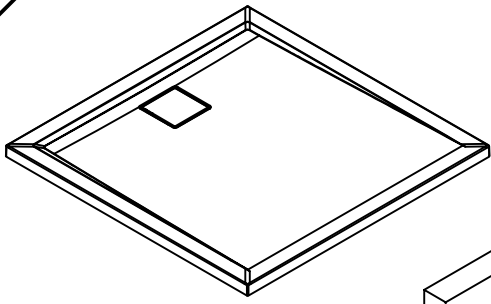
A	
STD	SM
-36 ; -6	-10 ; +20

A	
STD	SM
-42 ; -17	-10 ; +15

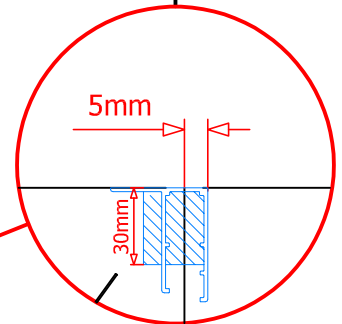
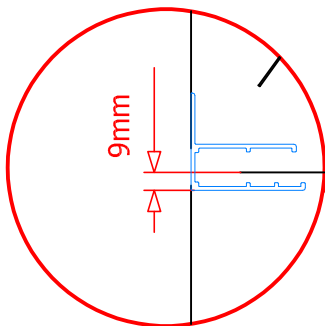
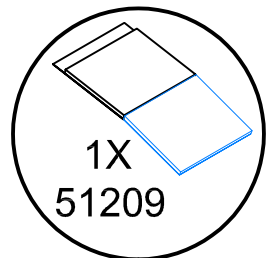
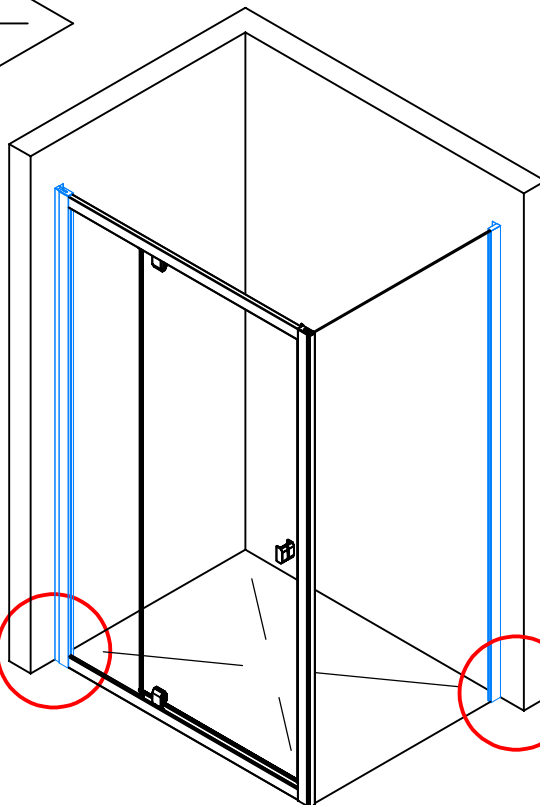
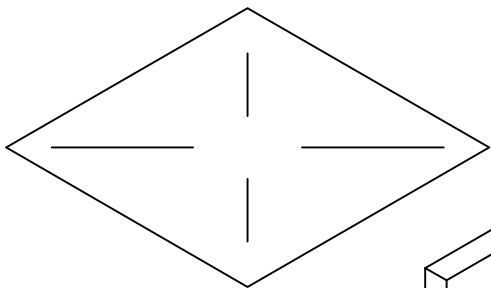
17.



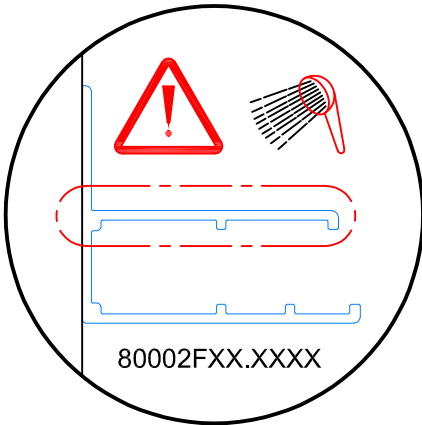
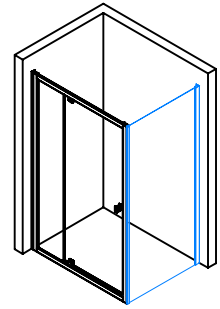




18.

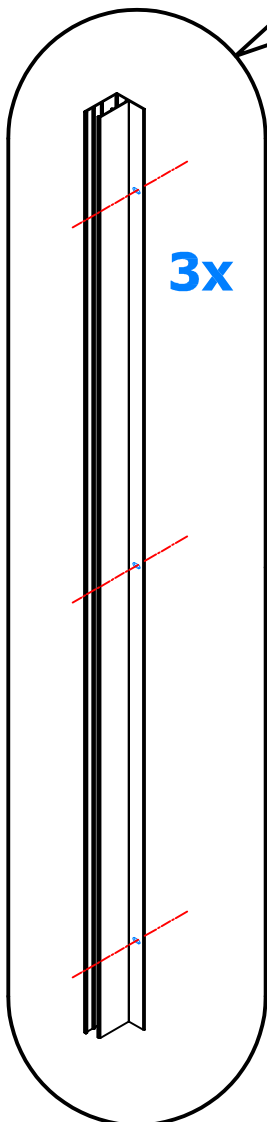
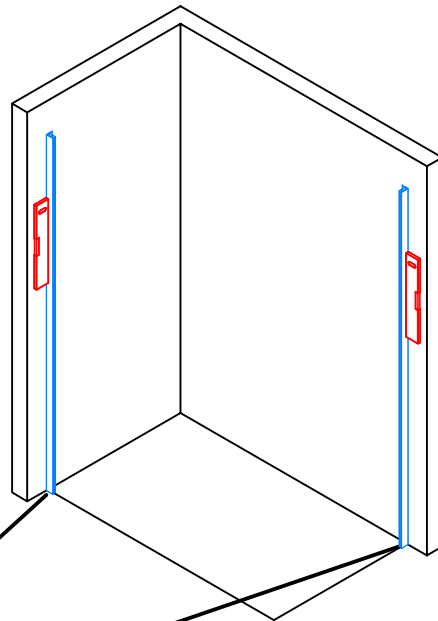


**19.1 → 19.3**

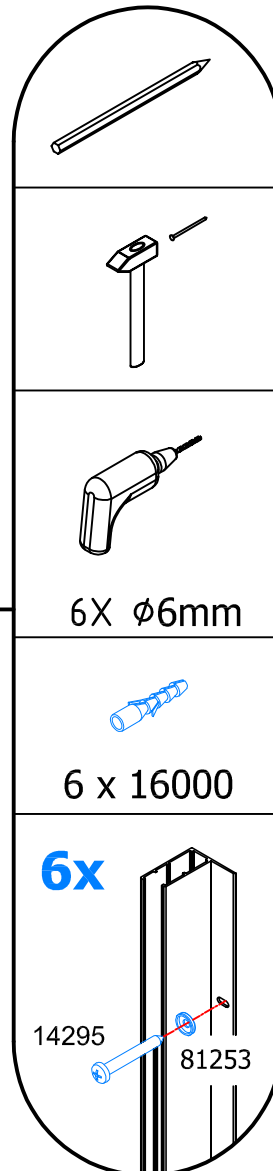


**19.1**

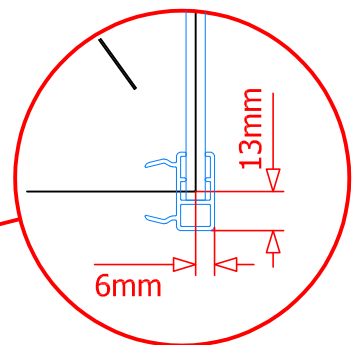
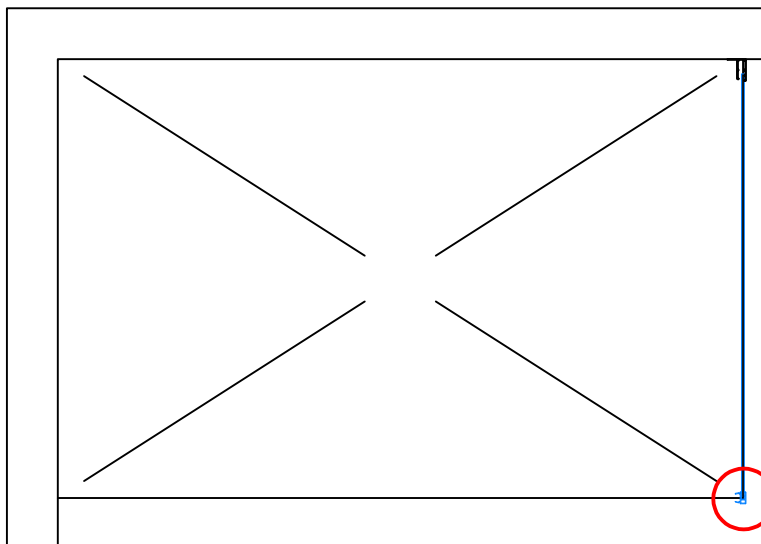
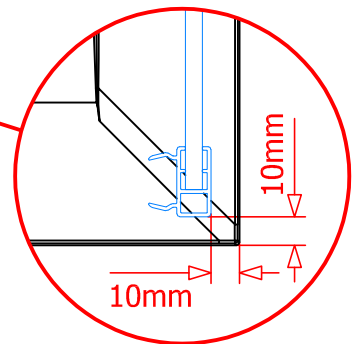
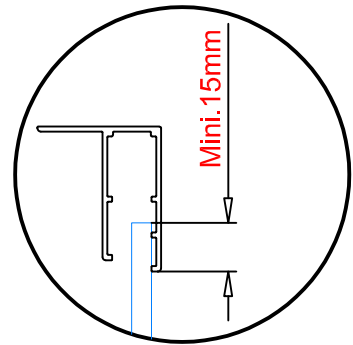
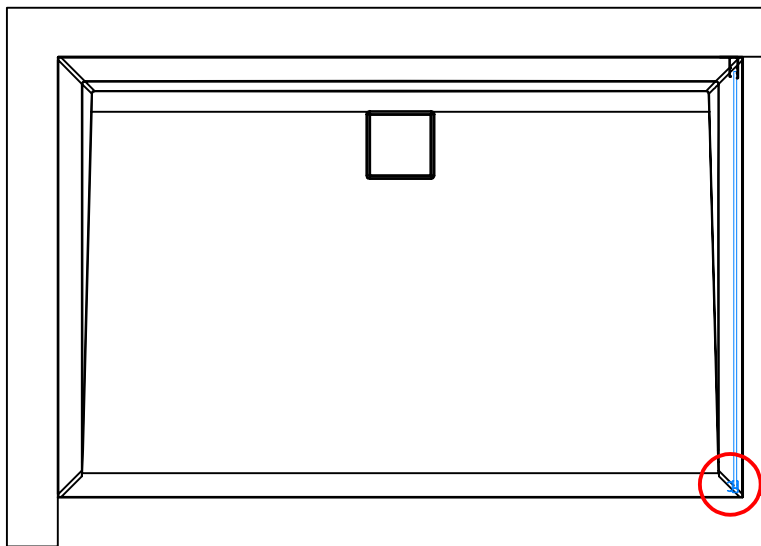
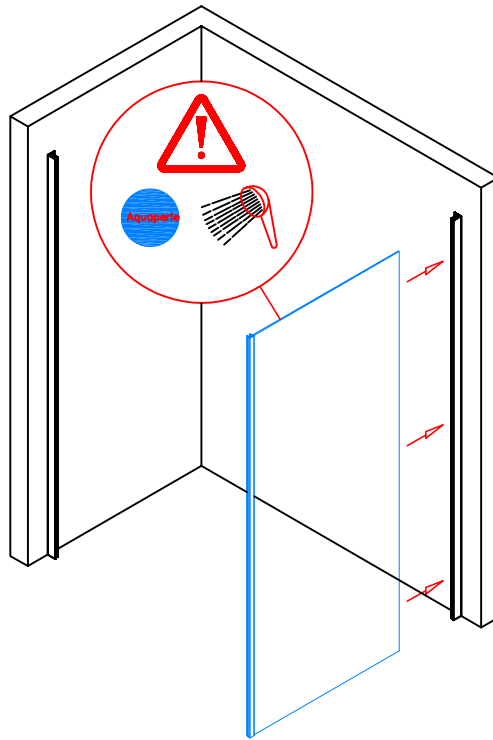
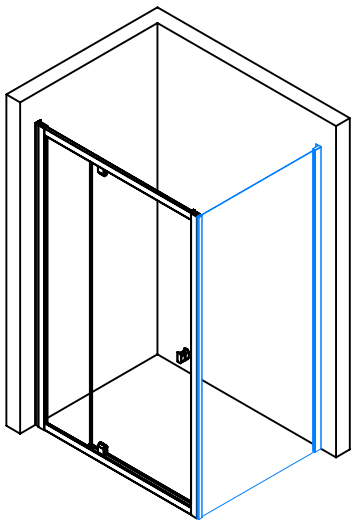
**19.2**



**19.3**

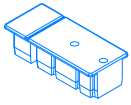


20.

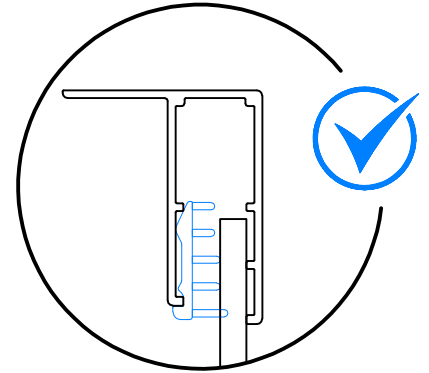
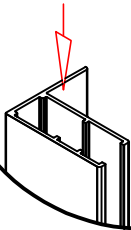


**21.1**

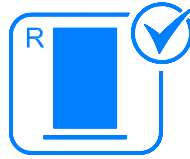
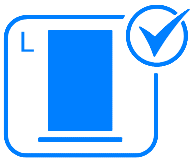
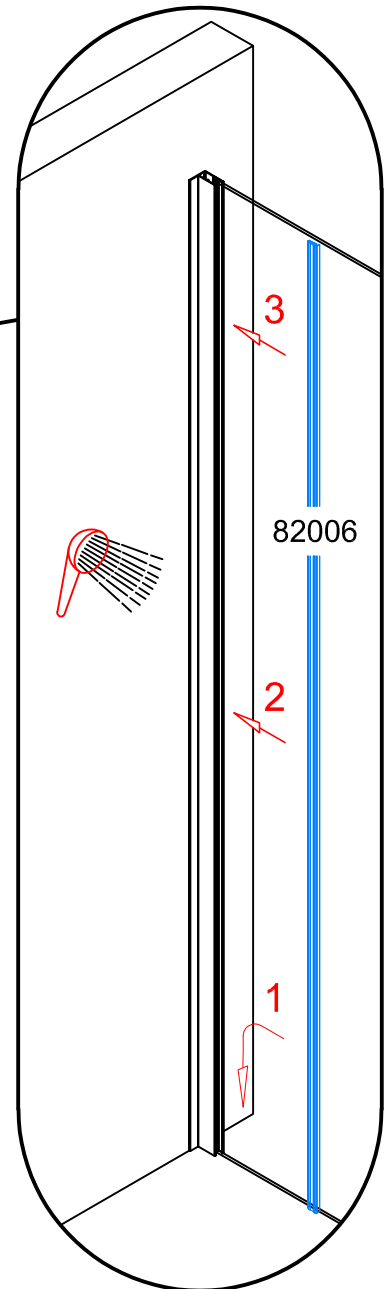
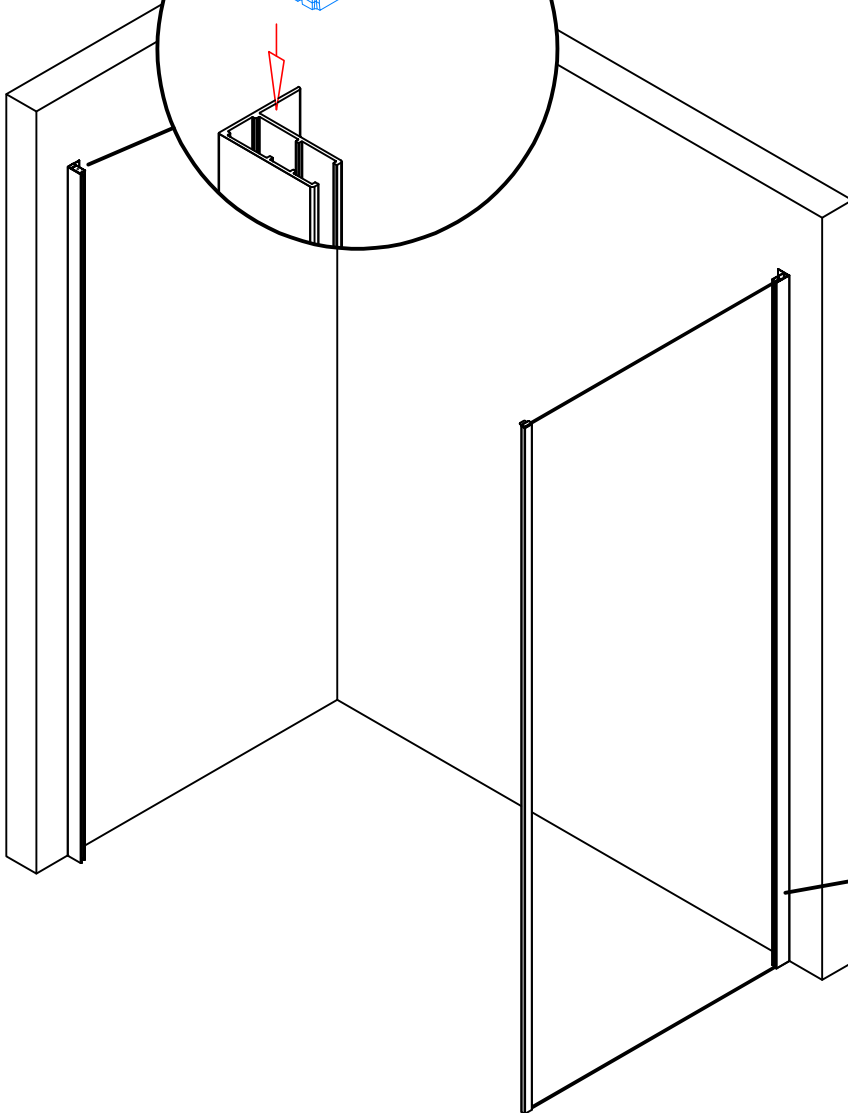
**21.1 → 21.3**



81125.XX

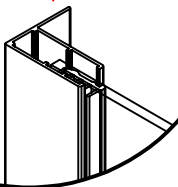
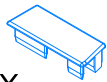


**21.2**

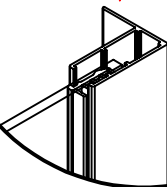
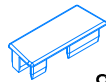


**21.3**

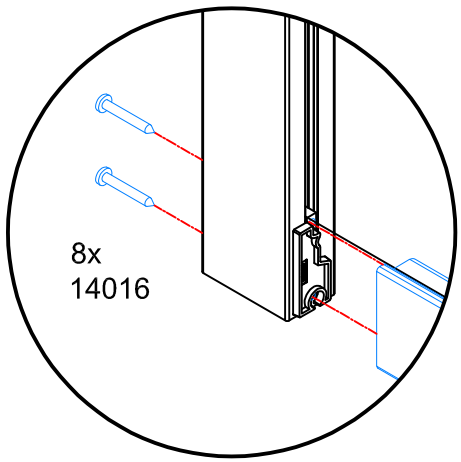
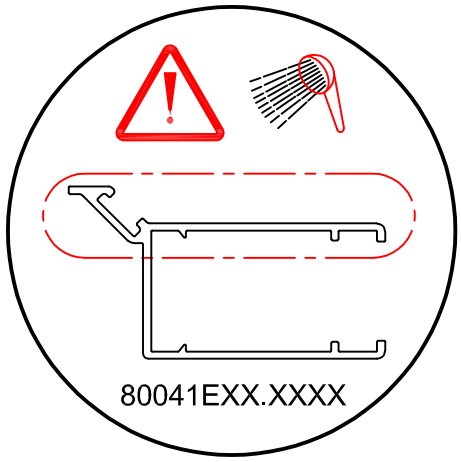
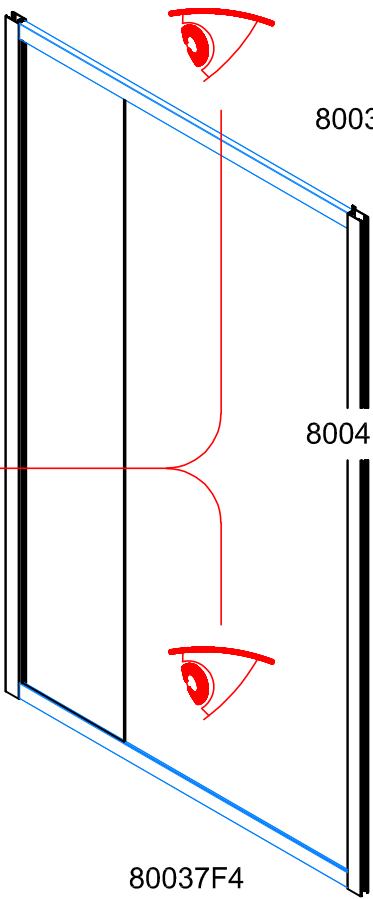
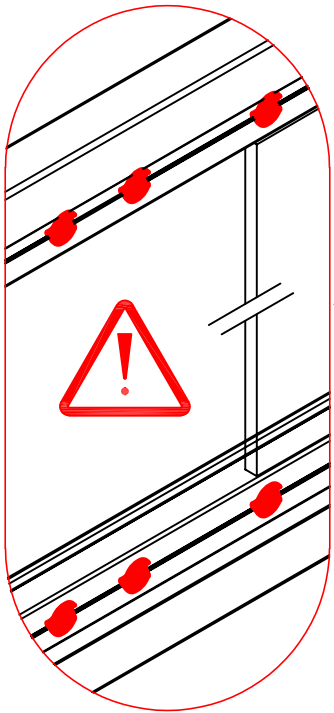
81123.XX



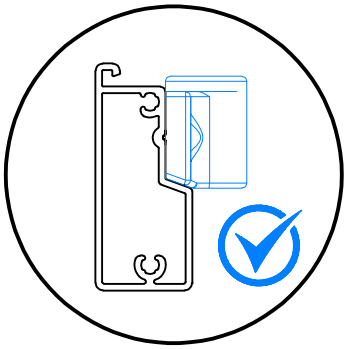
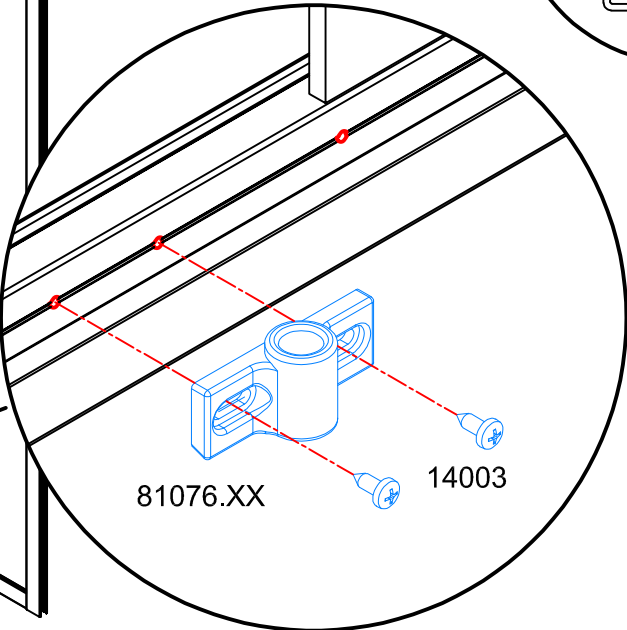
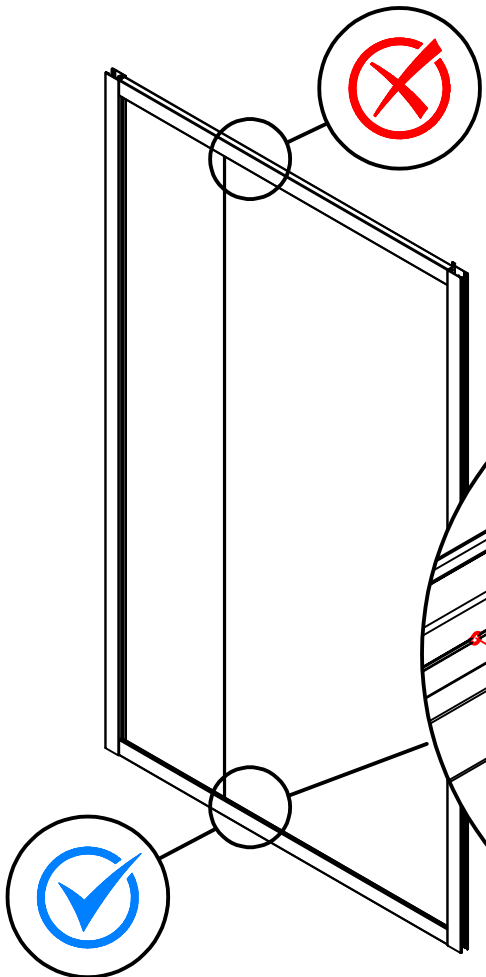
81124.XX



22.

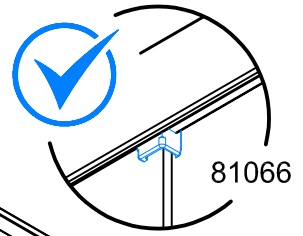
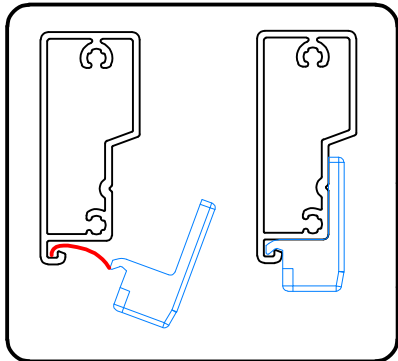


23.

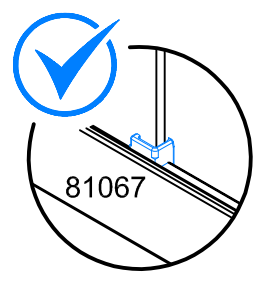
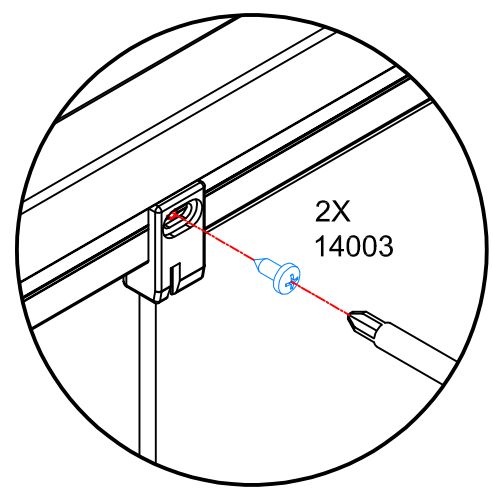


**24.1 → 24.2**

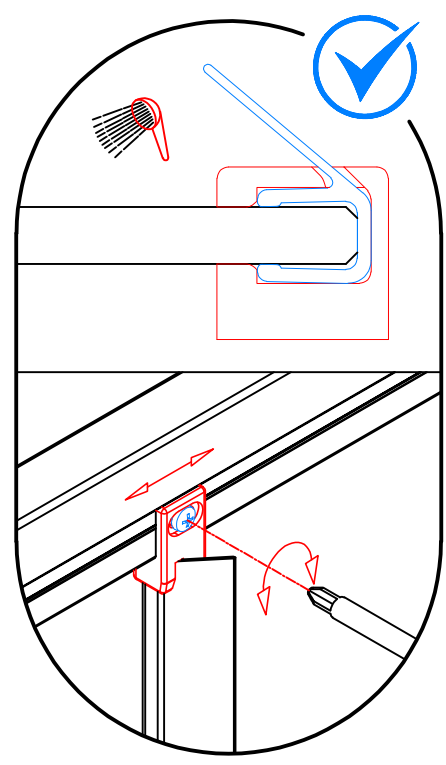
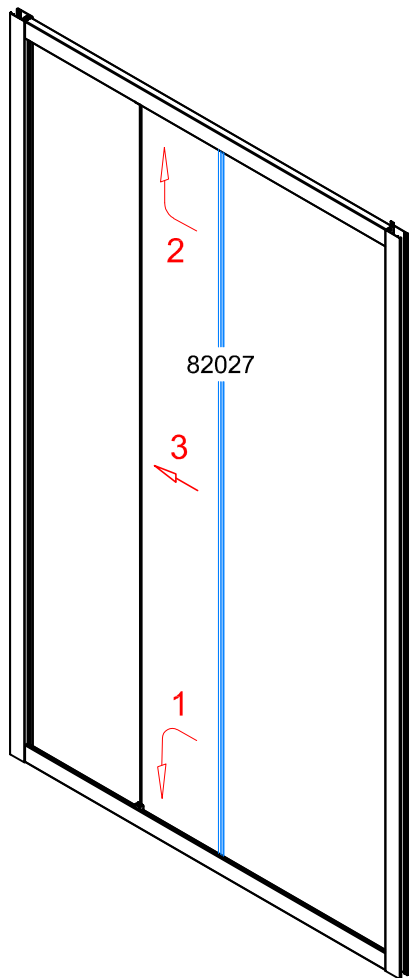
**24.1**



**24.2**

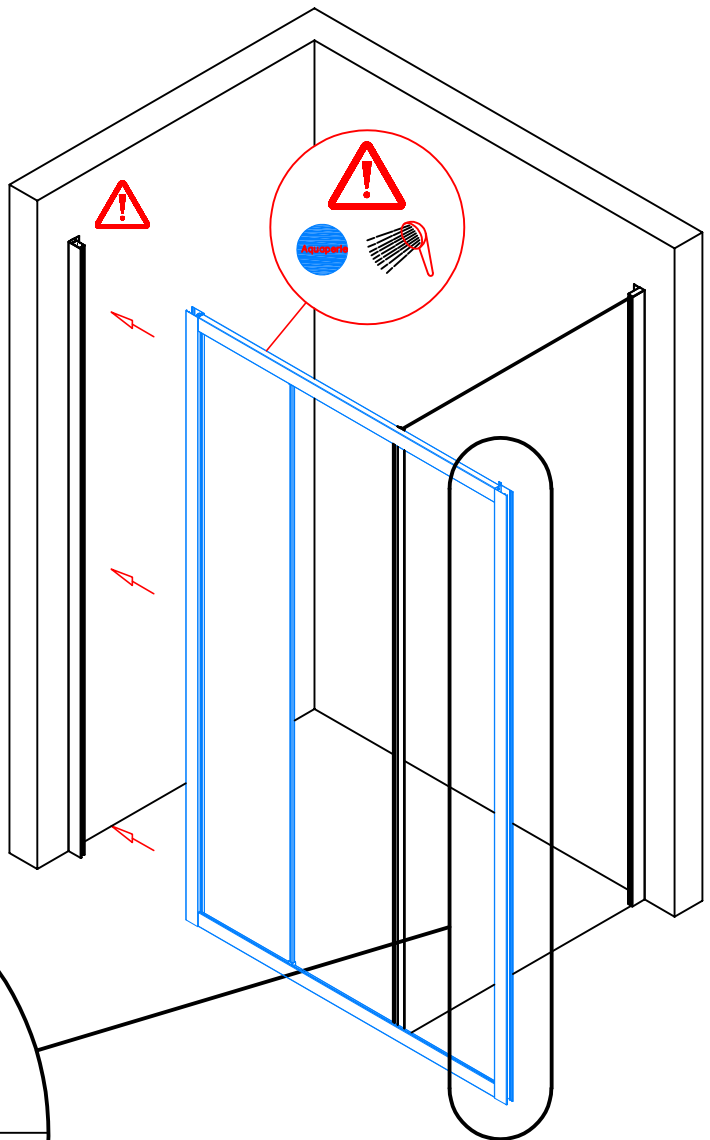


**25.**

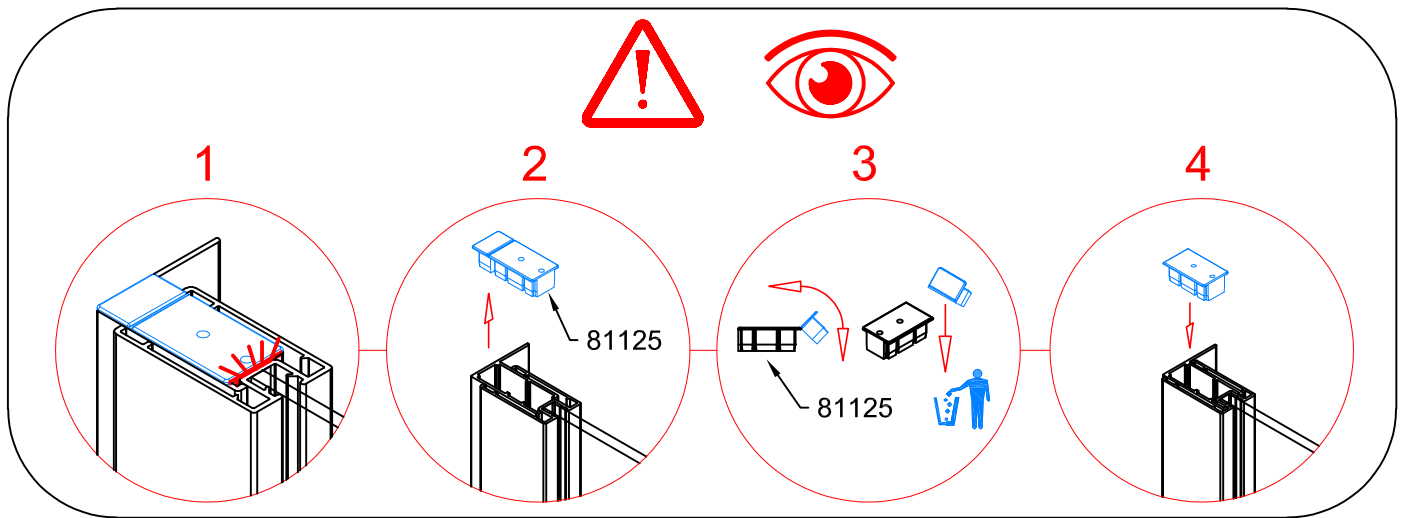
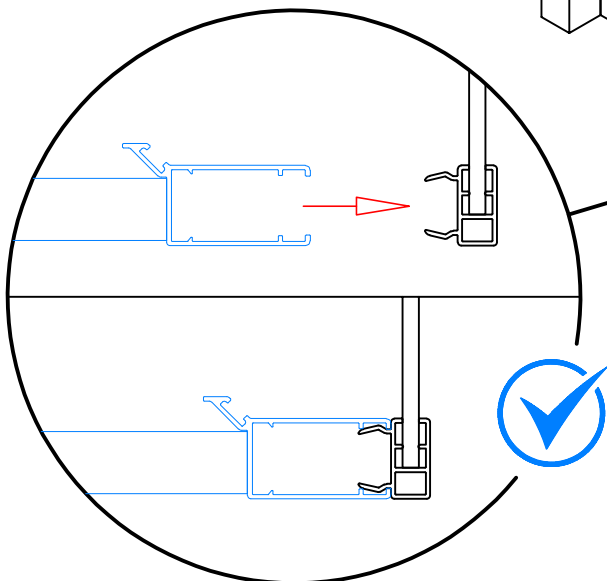


**26.1 → 26.2**

**26.1**

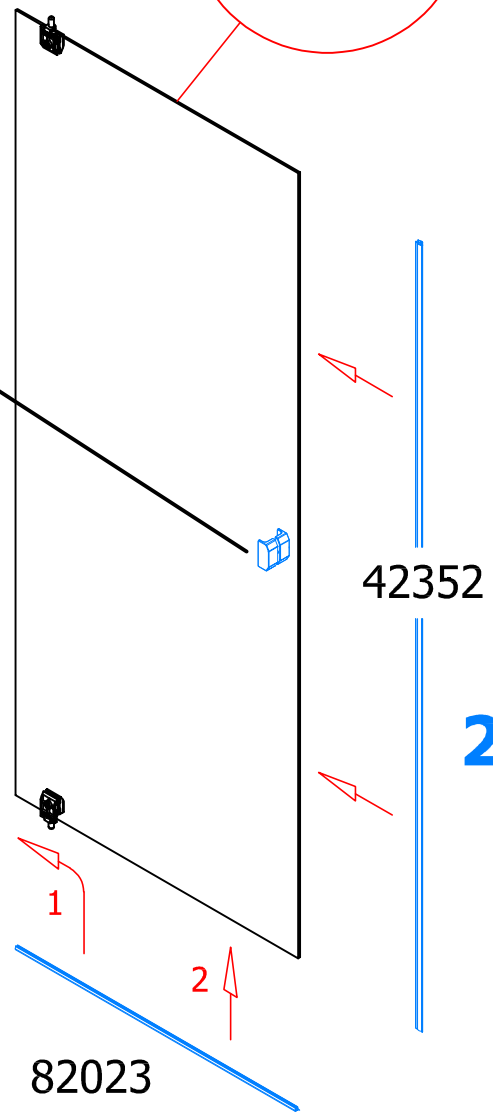
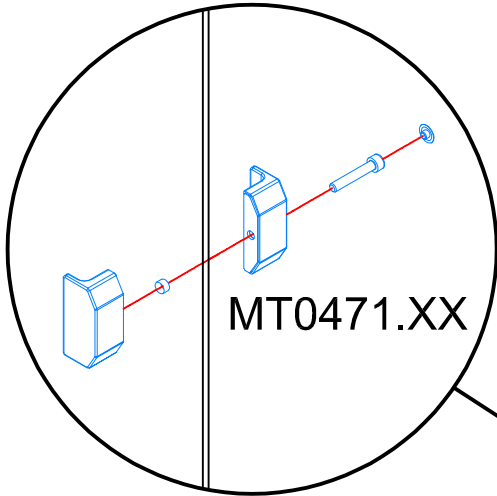


**26.2**



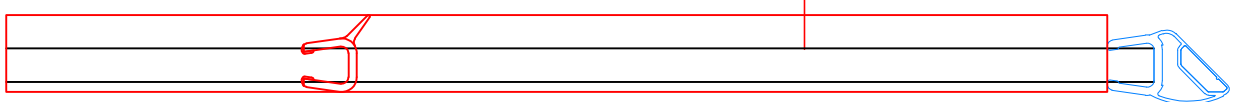
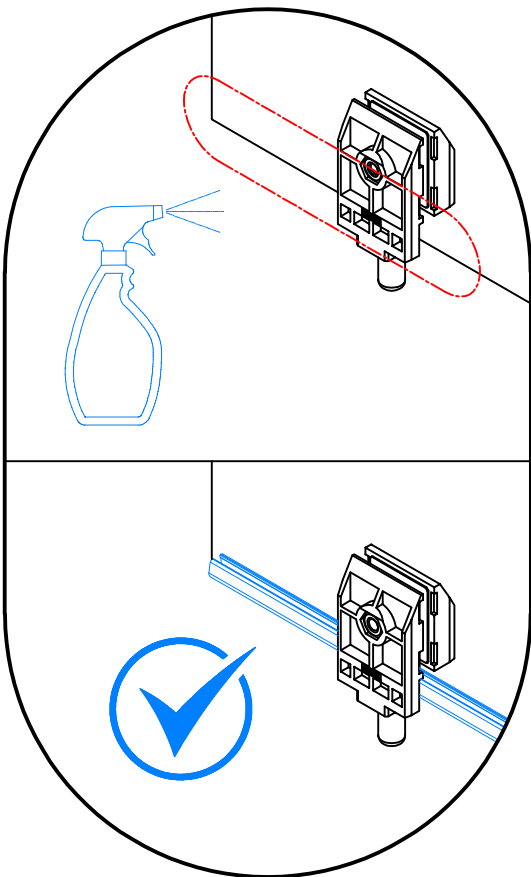
**27.1 → 27.3**

**27.1**



**27.2**

**27.3**





28.1 → 28.3

28.3

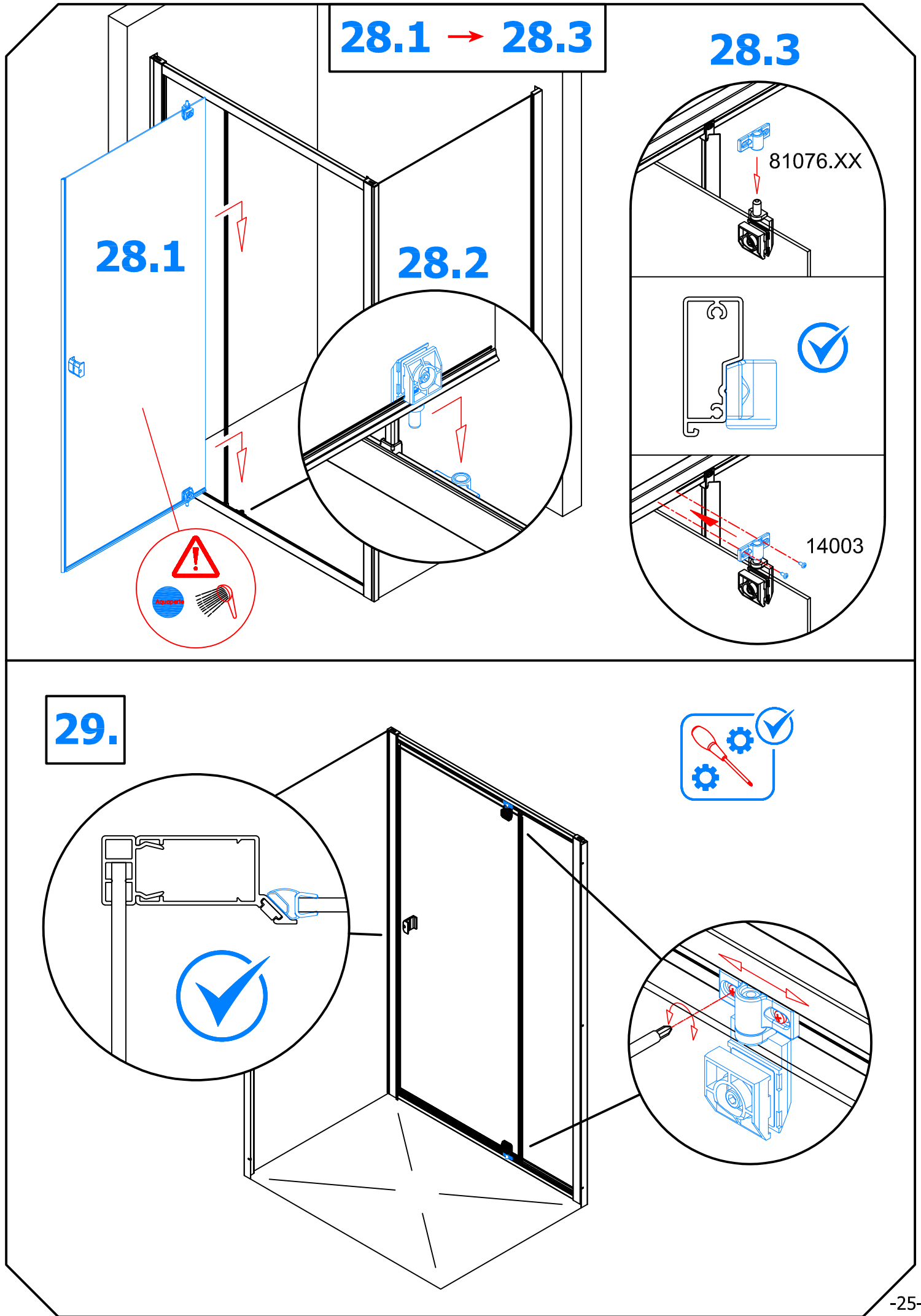
28.1

28.2

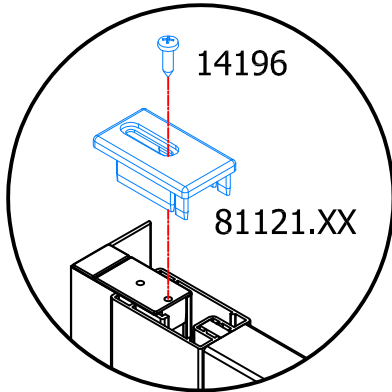
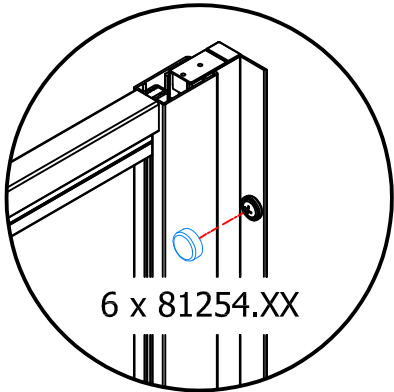
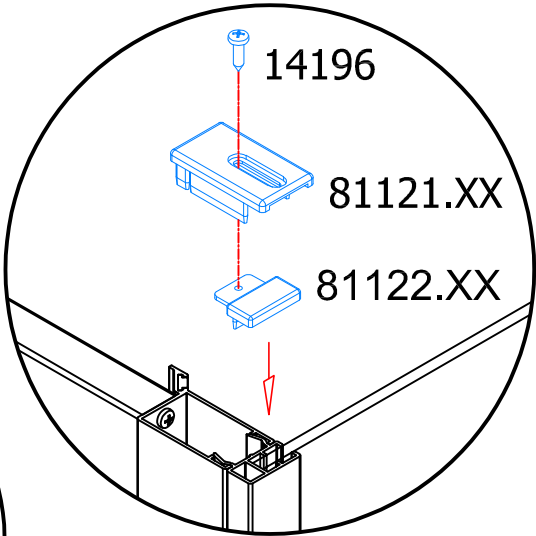
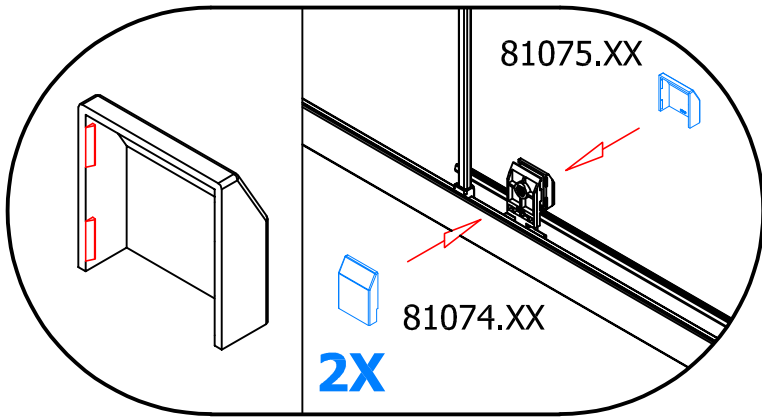
81076.XX

14003

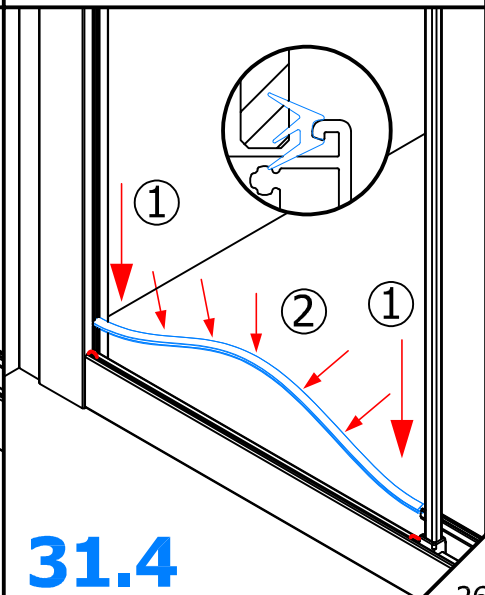
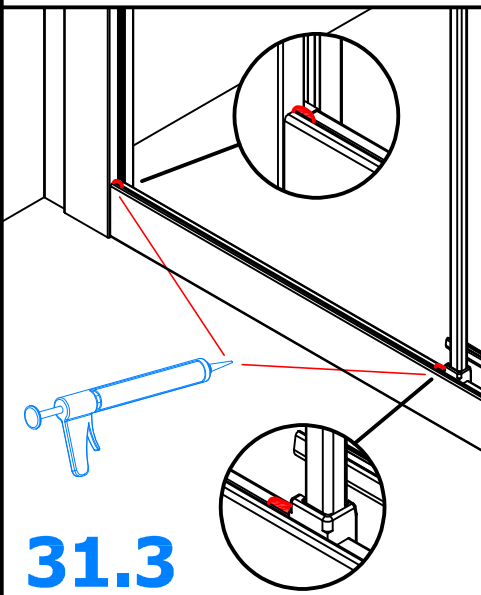
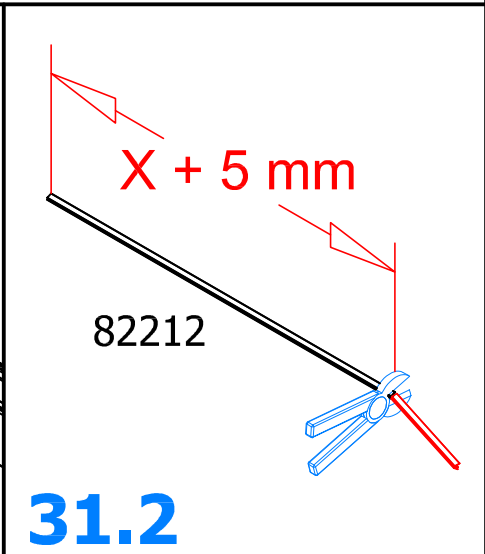
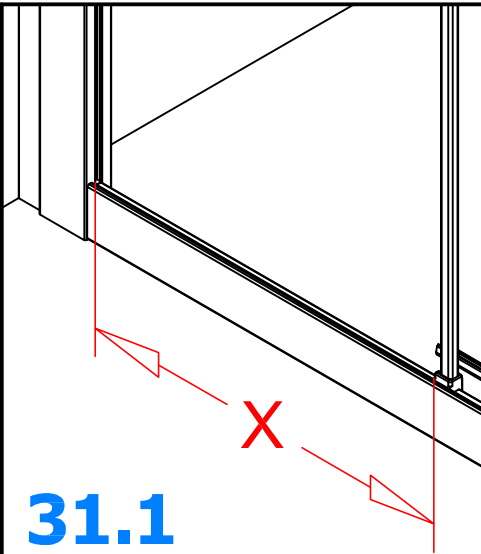
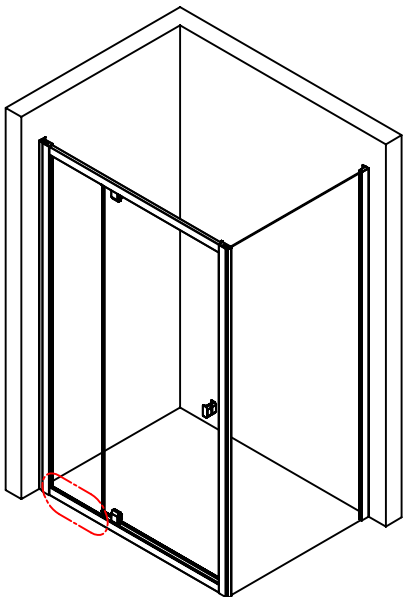
29.



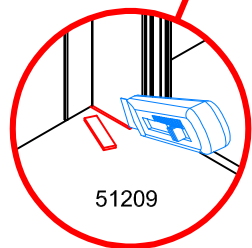
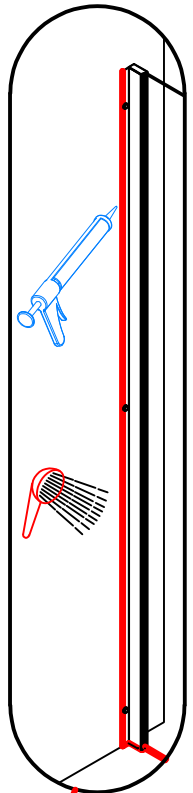
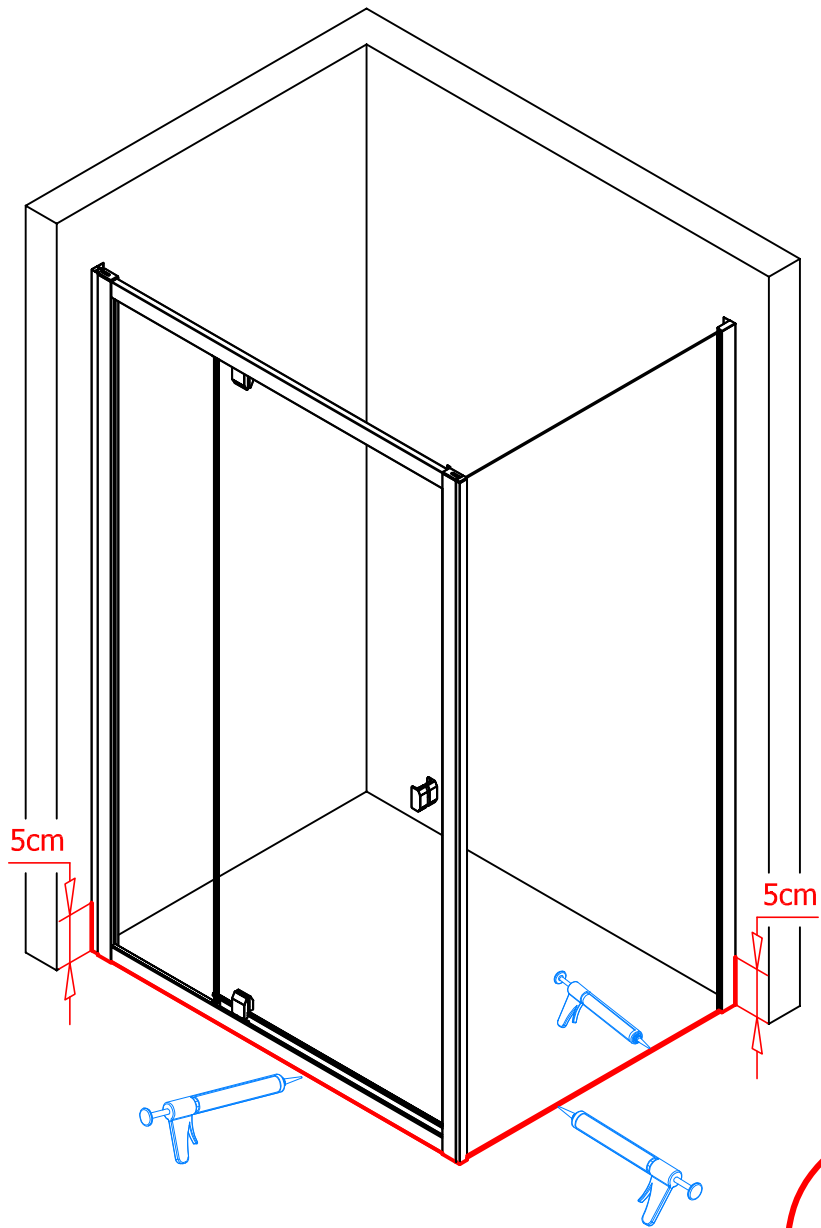
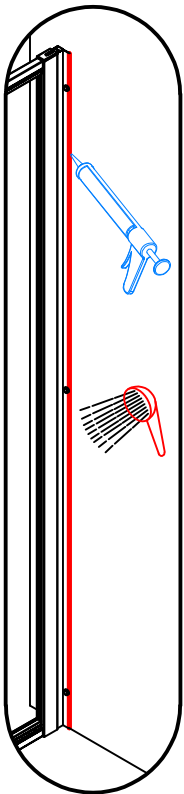
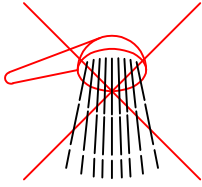
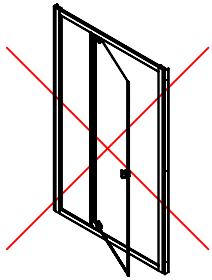
**30.**



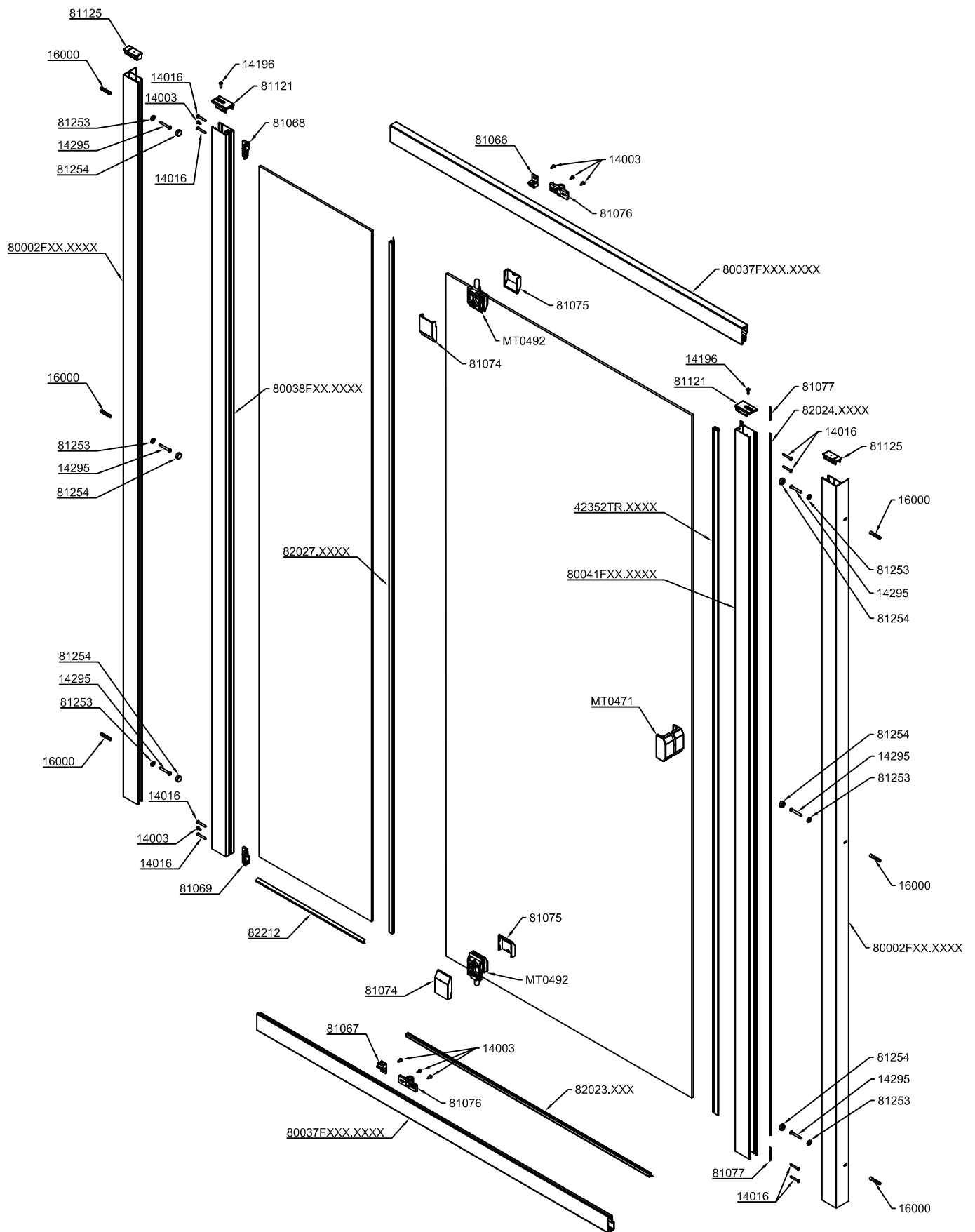
**31.1 → 31.4**



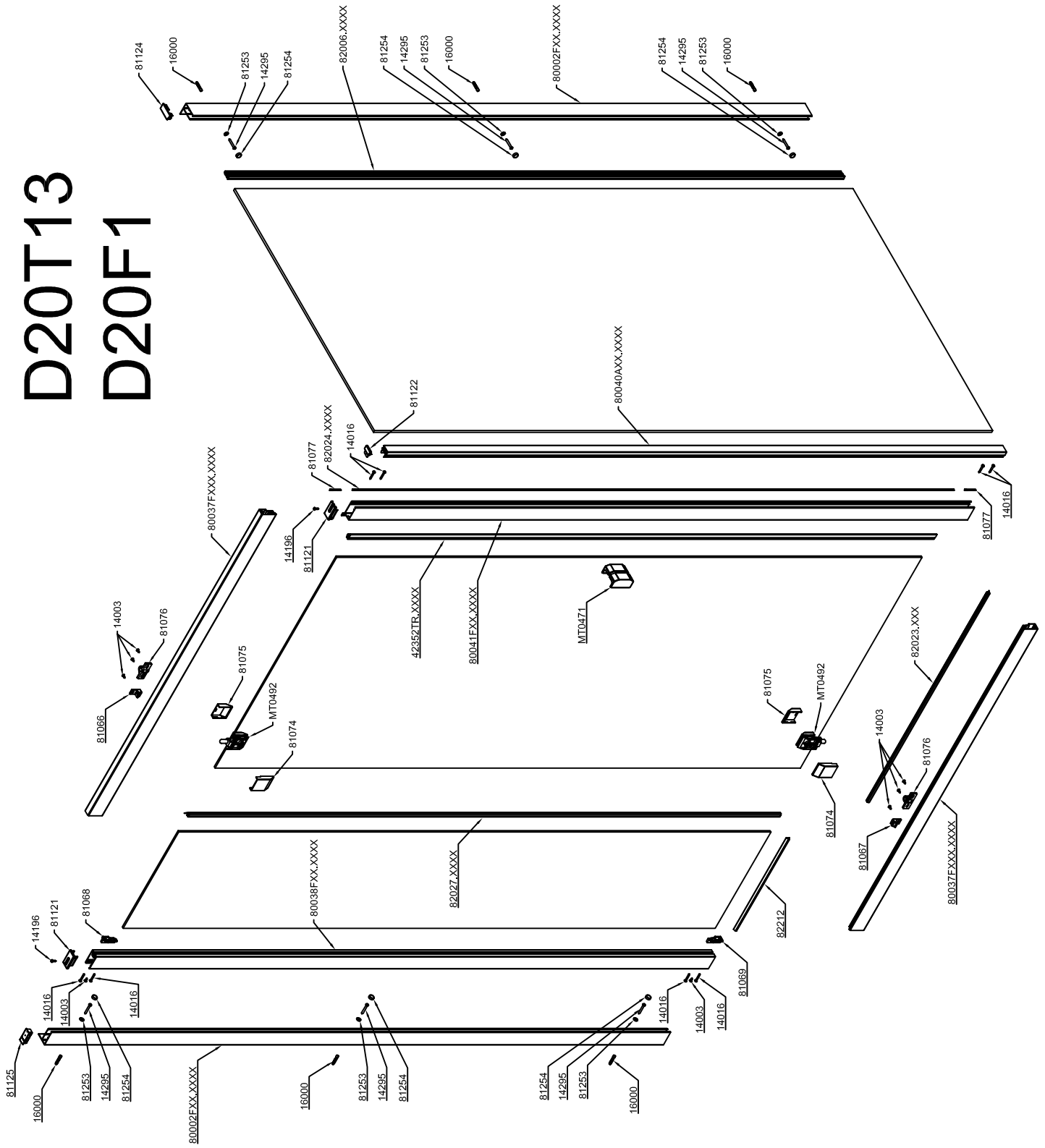
# 32.



# D20T13



# D20T13 D20F1



# D20T13

## D20F1

