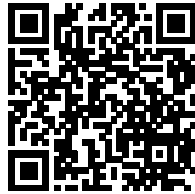
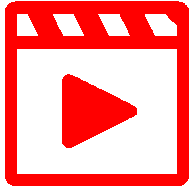
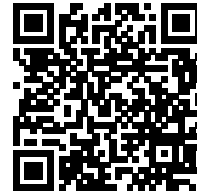


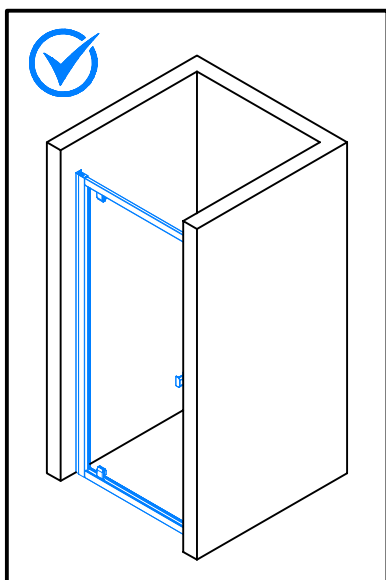
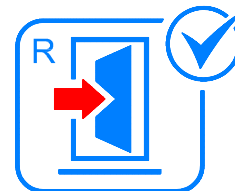
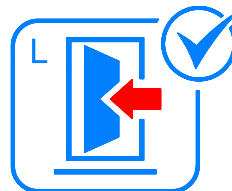
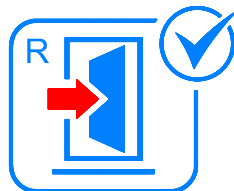
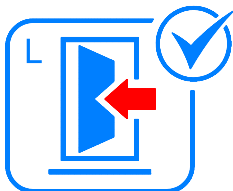
19797



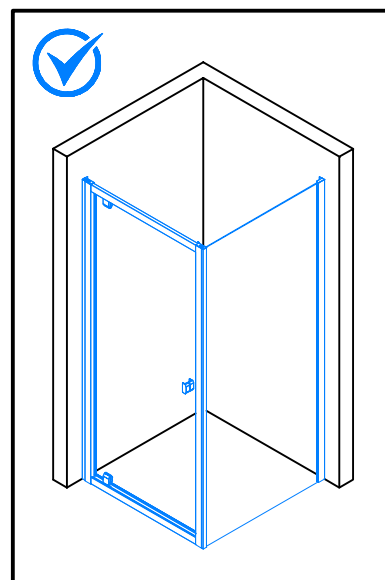
D20T1



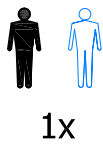
D20T1 + D20F1



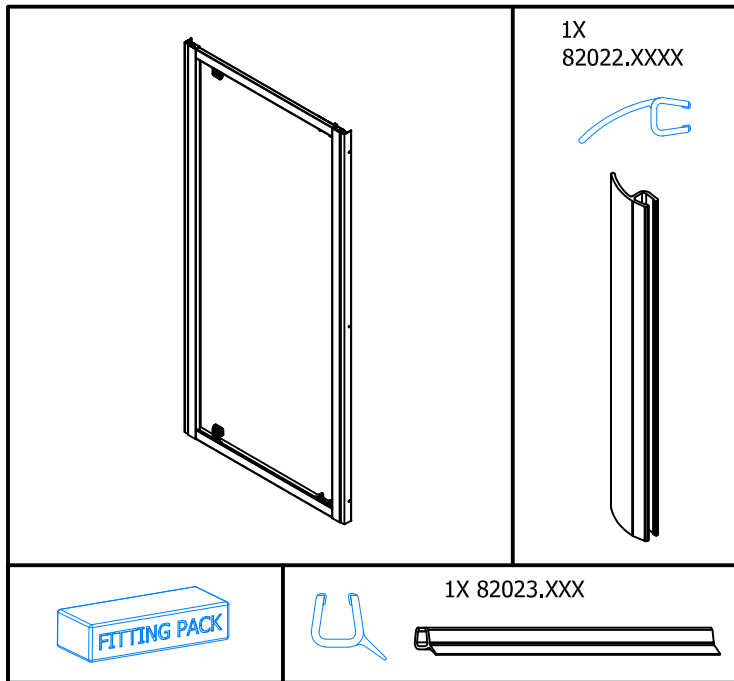
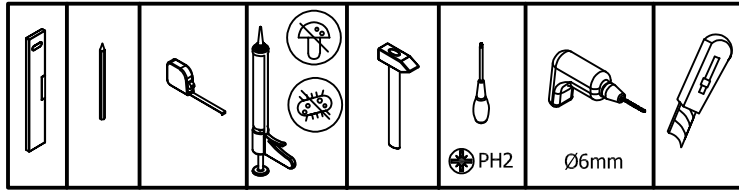
P1. → P9.



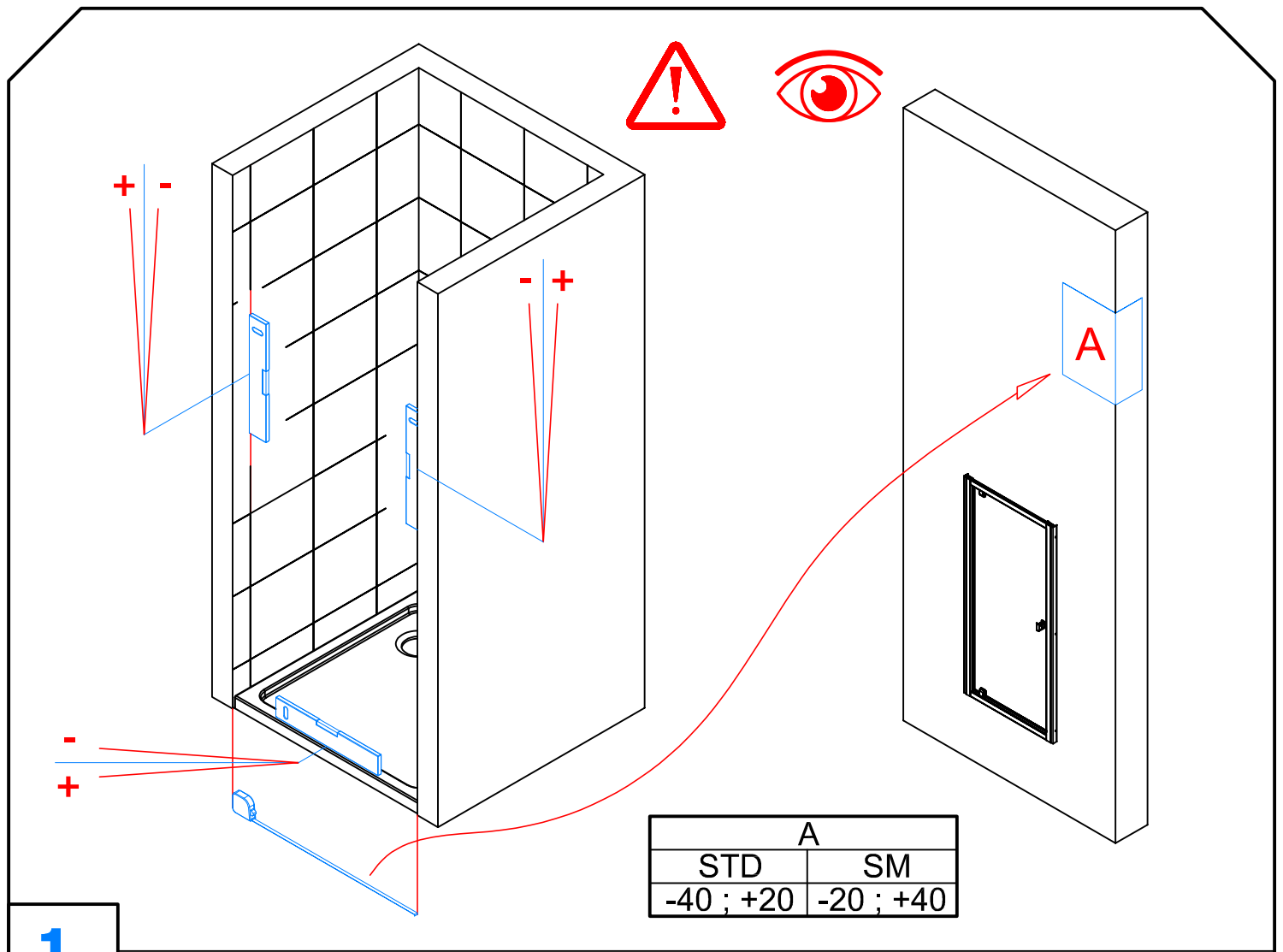
P10. → P21.



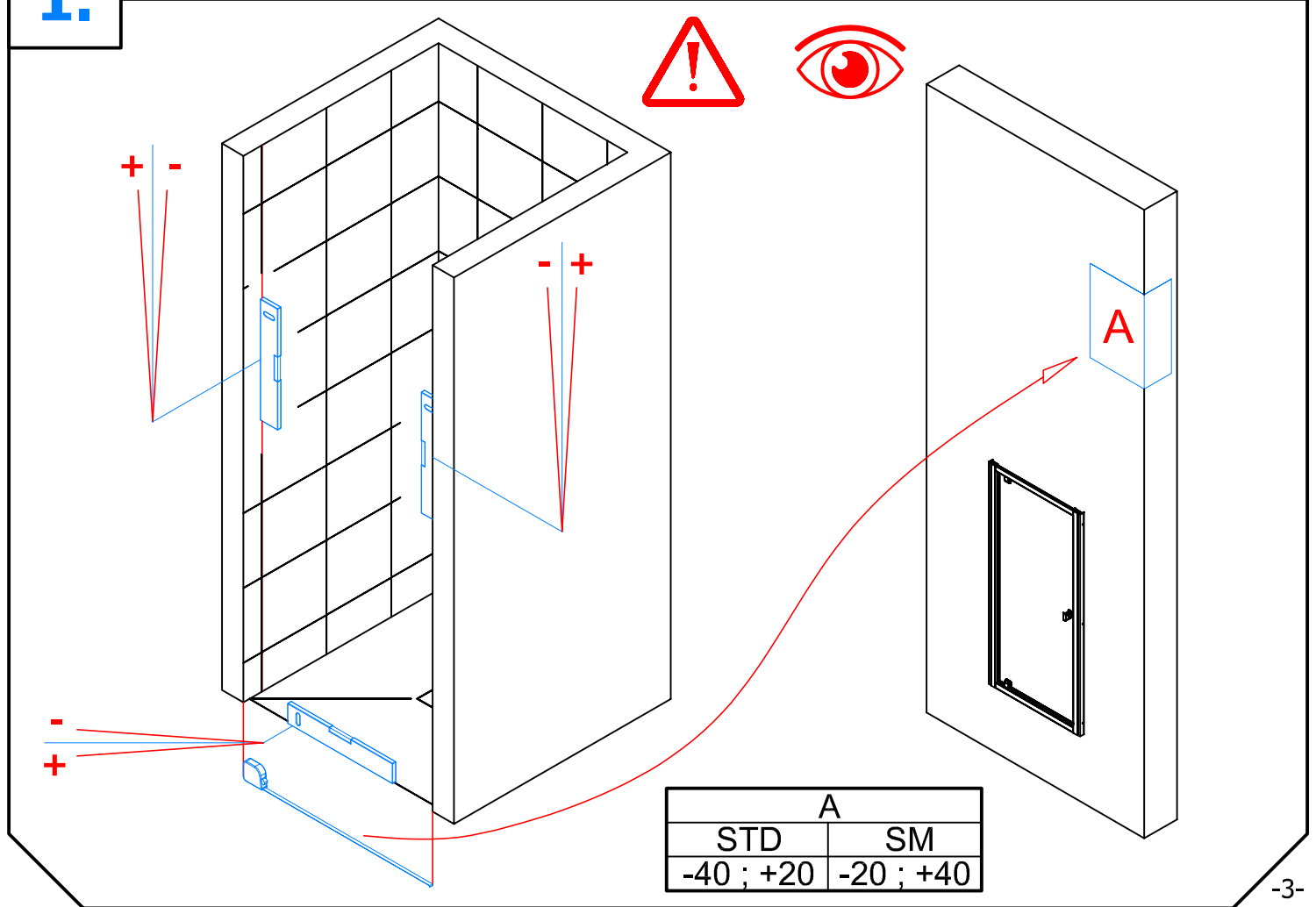
1x

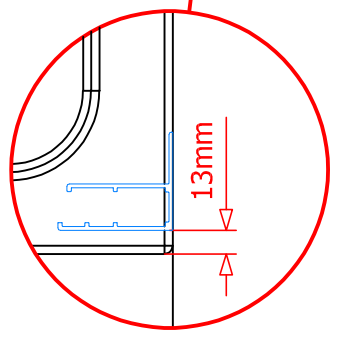
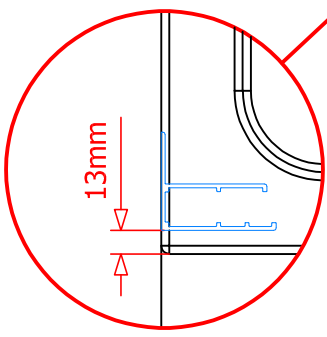
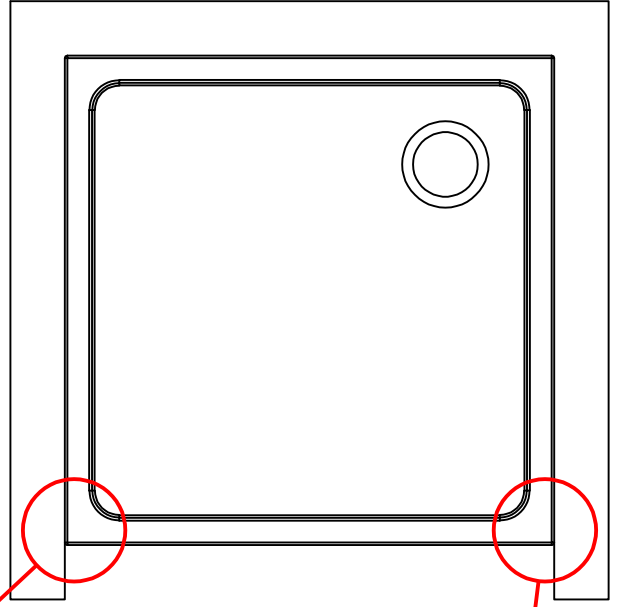
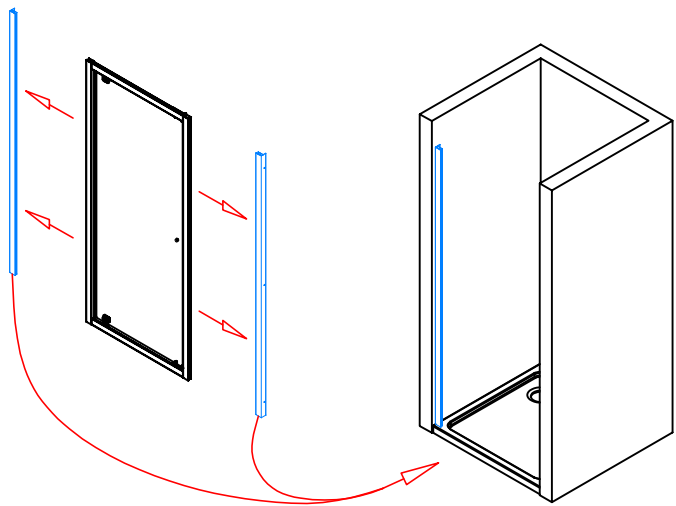


	<p>6 x 81253 6 x 81254.XX</p>	<p>6 x 14295 4.2x32mm</p>	<p>6 x 16000 Ø 6mm</p>	<p>2 x 14196 3.5x13mm</p>
	<p>2 x 81125.XX</p>	<p>2 x 81121.XX</p>	<p>2 x 81074.XX</p>	<p>2 x 81075.XX</p>
	<p>1 x MT0471.XX</p>	<p>1 x 17156 5 mm</p>	<p>1 x 11221</p>	

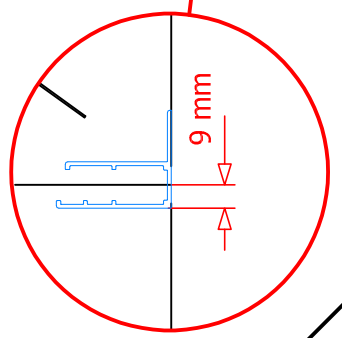
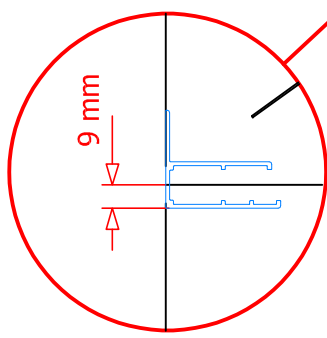
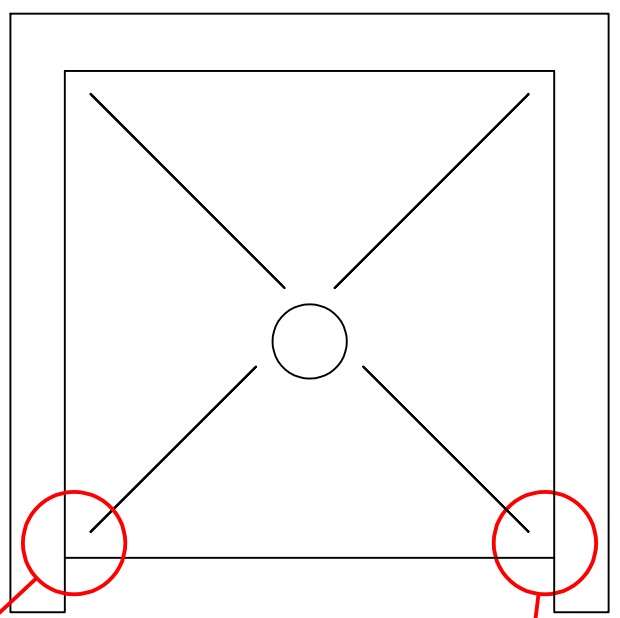
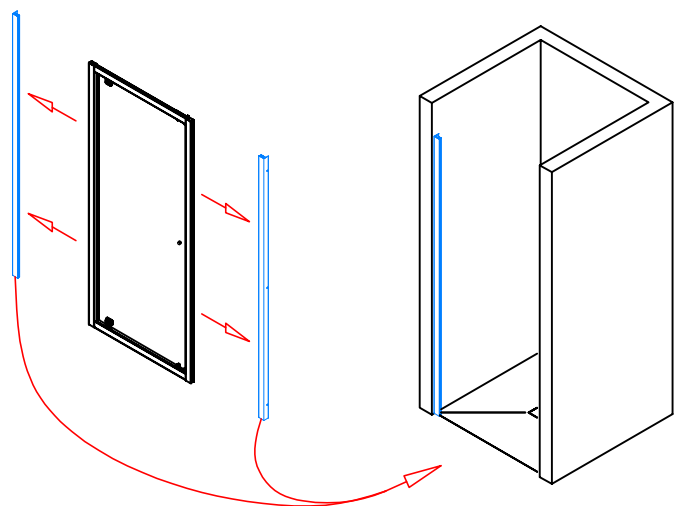


1.

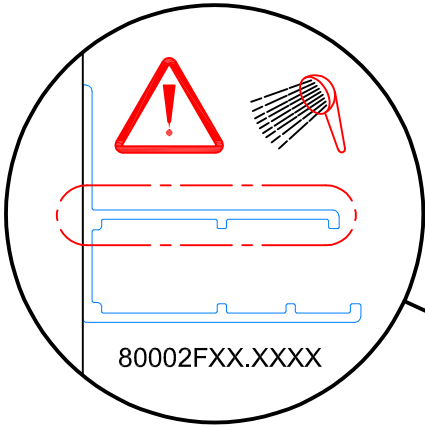




2.

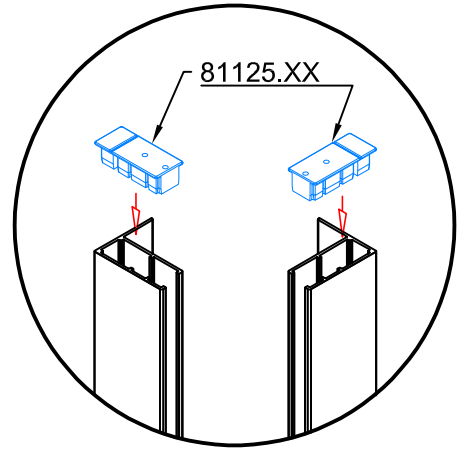
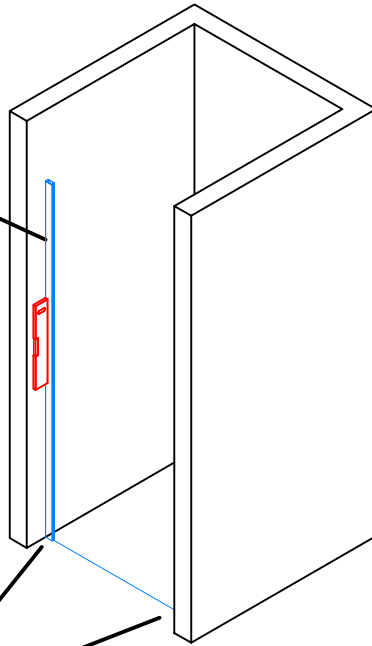


3.1 → 3.4

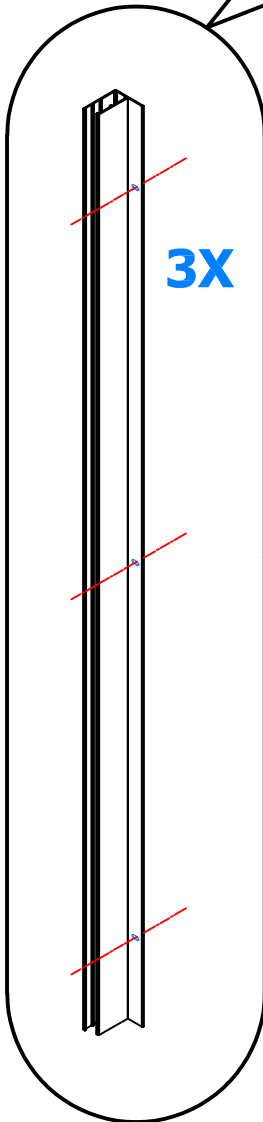


3.1

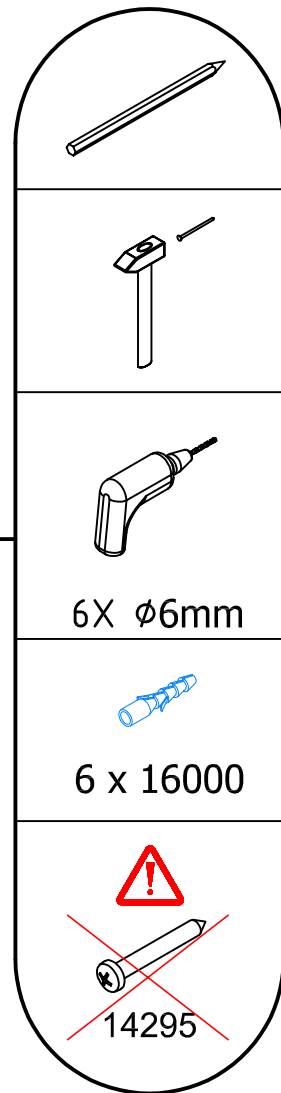
3.2



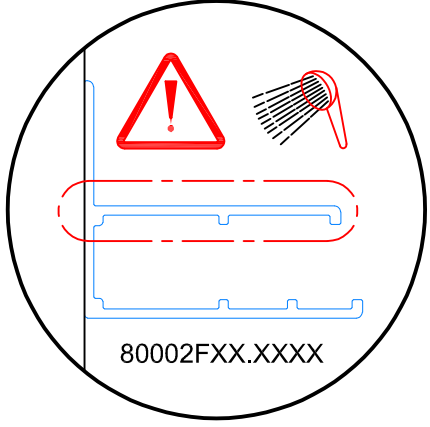
3.4



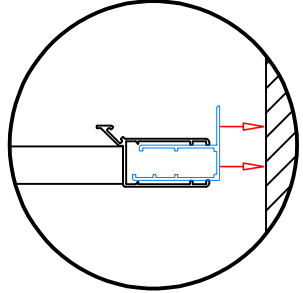
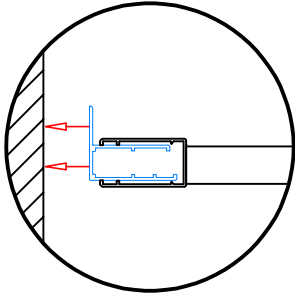
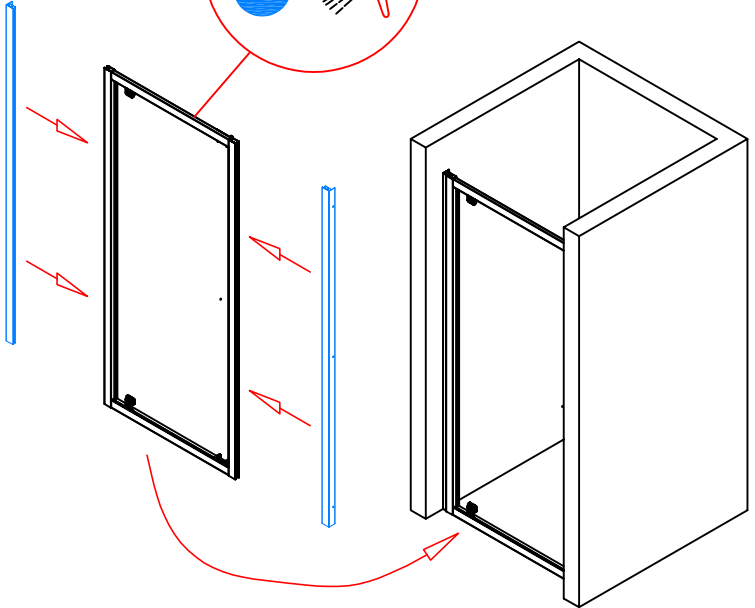
3.3



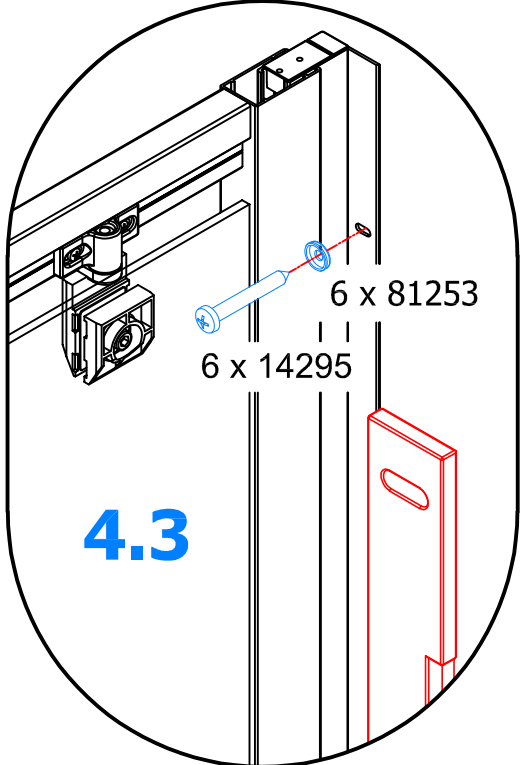
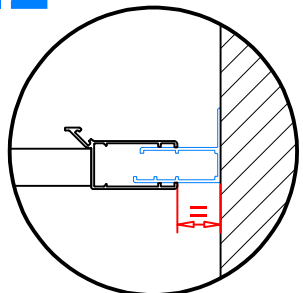
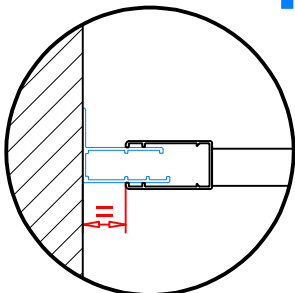
4.1 → 4.4



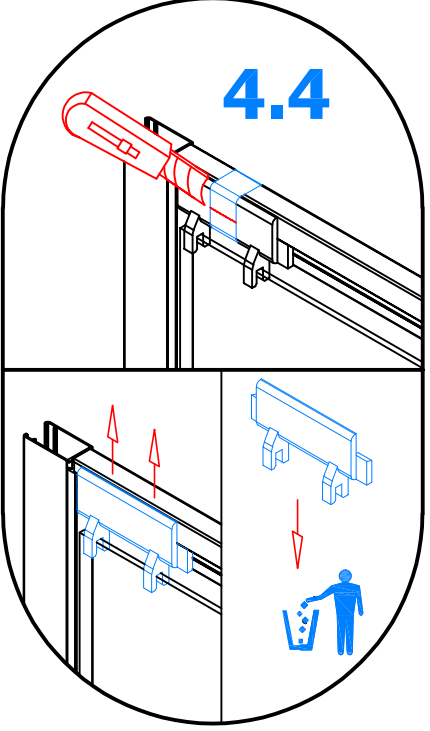
4.1



4.2

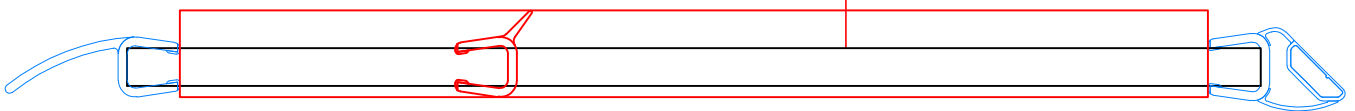
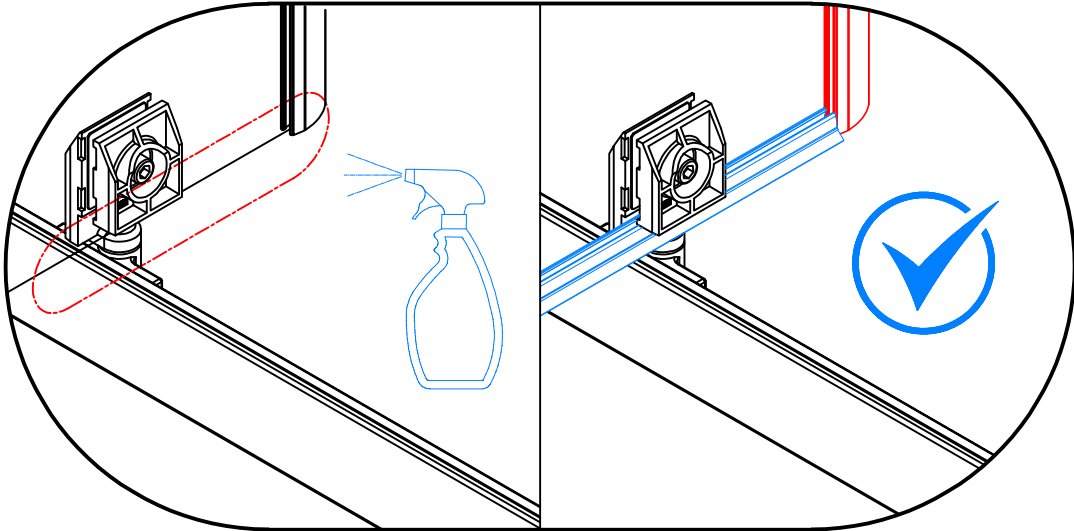
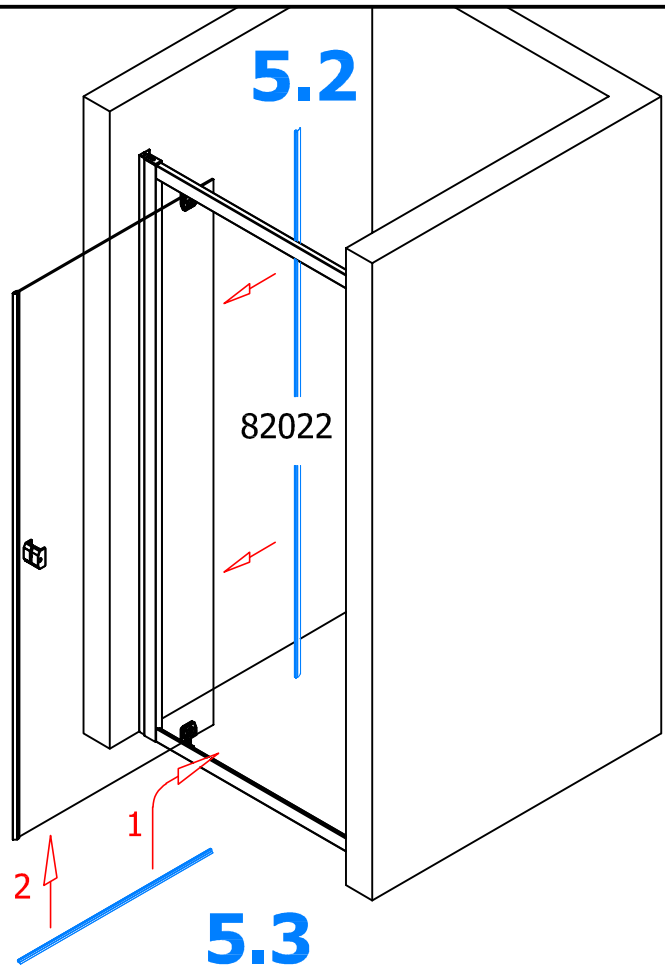
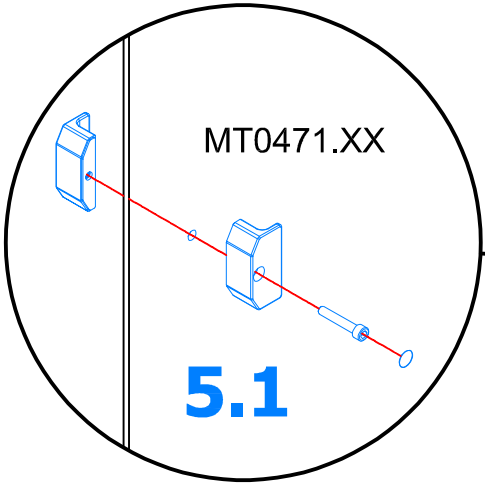


4.3

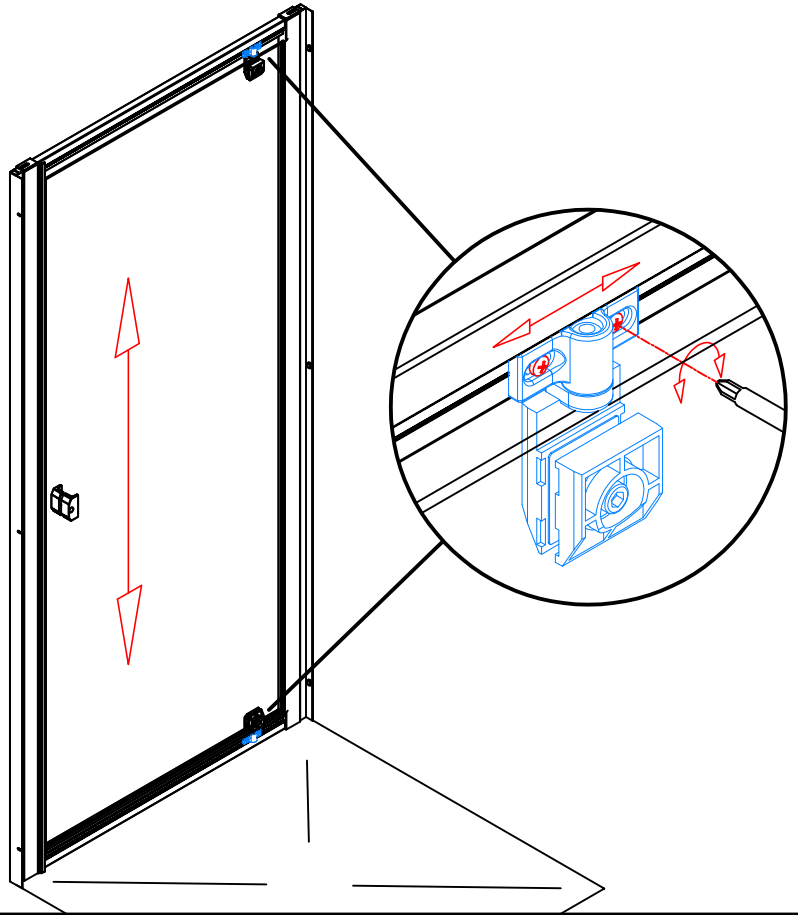
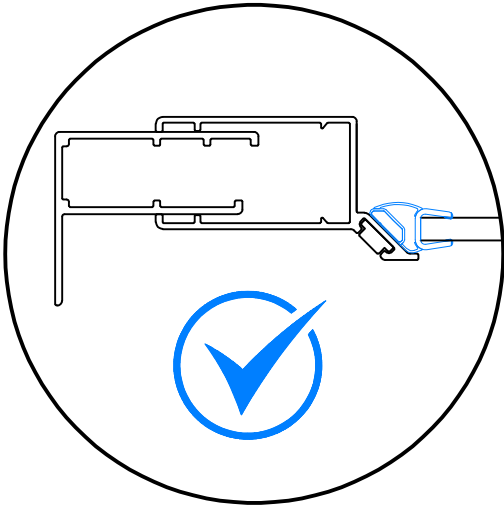
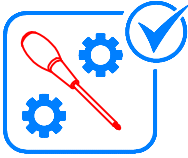


4.4

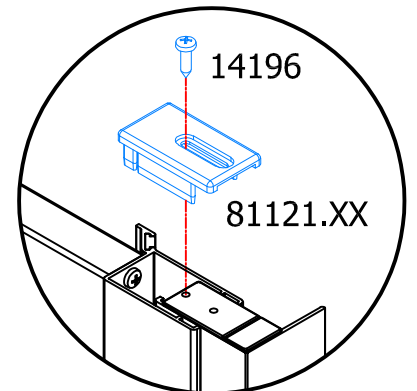
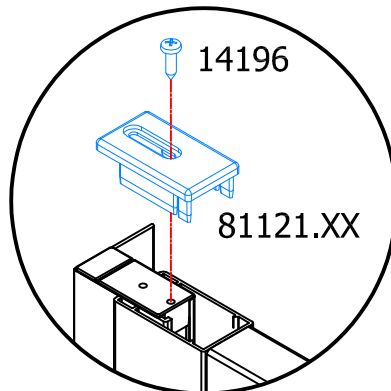
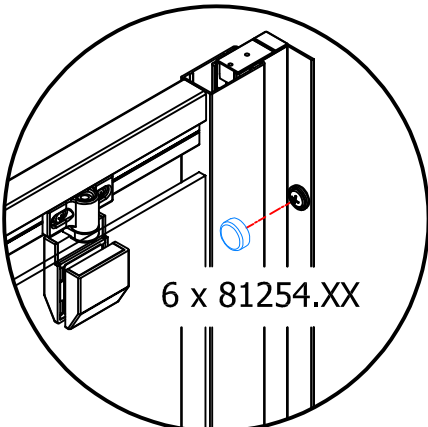
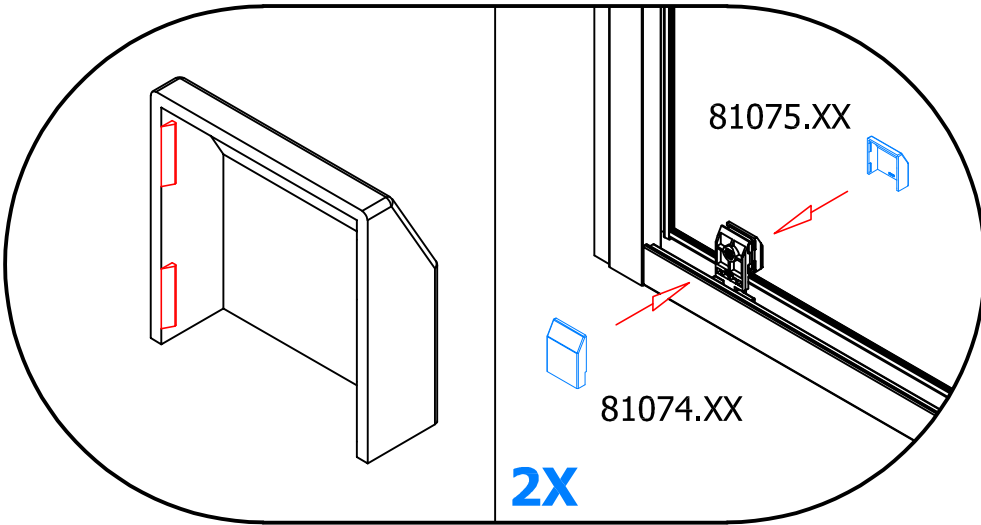
5.1 → 5.3



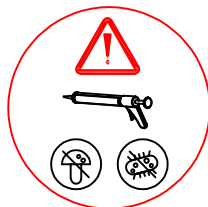
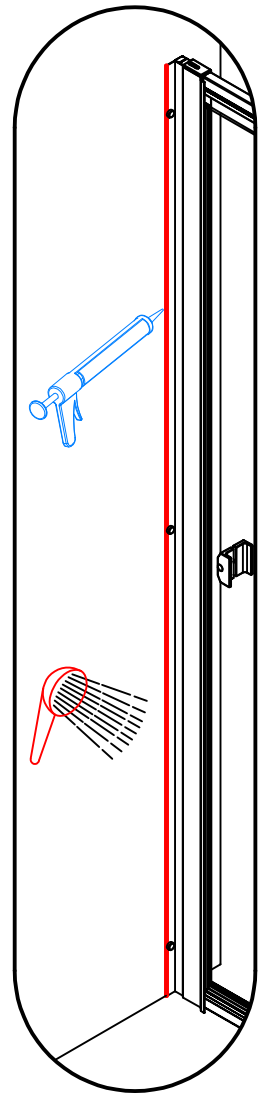
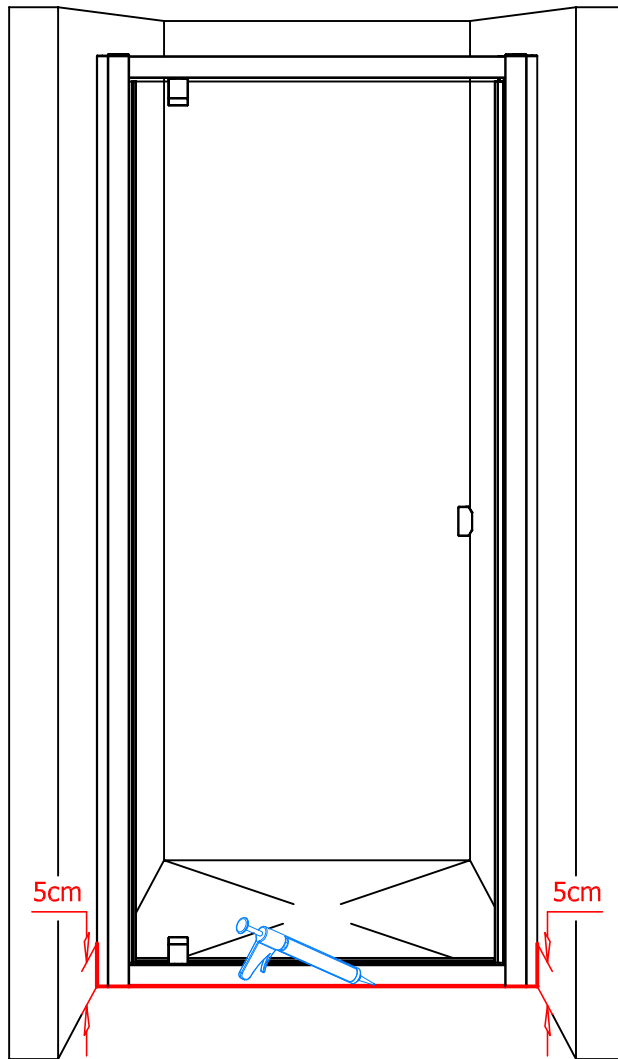
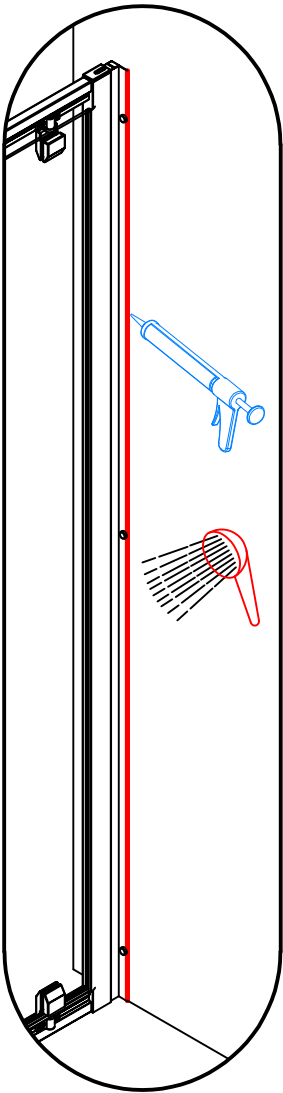
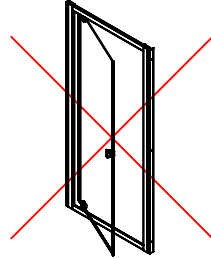
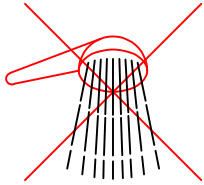
6.



7.

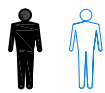
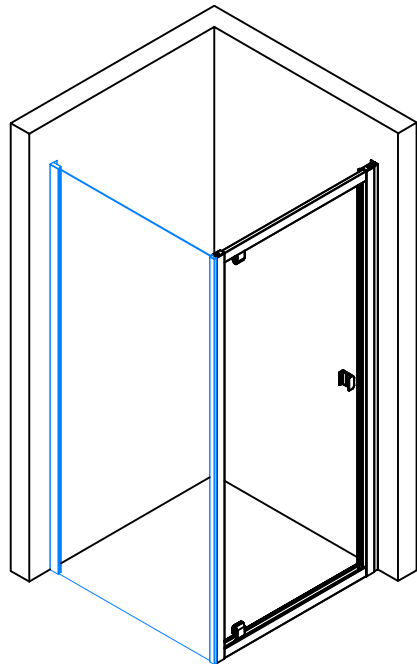
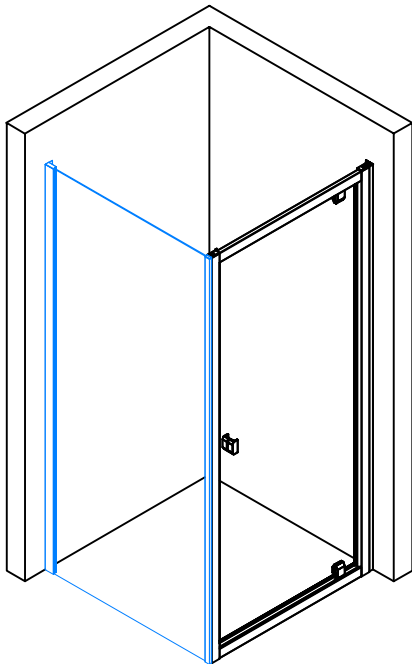
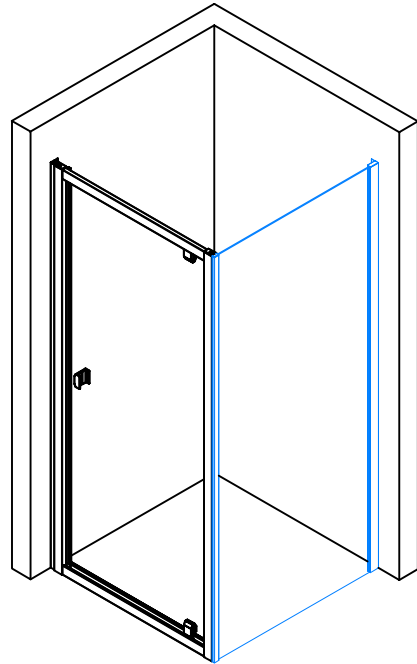
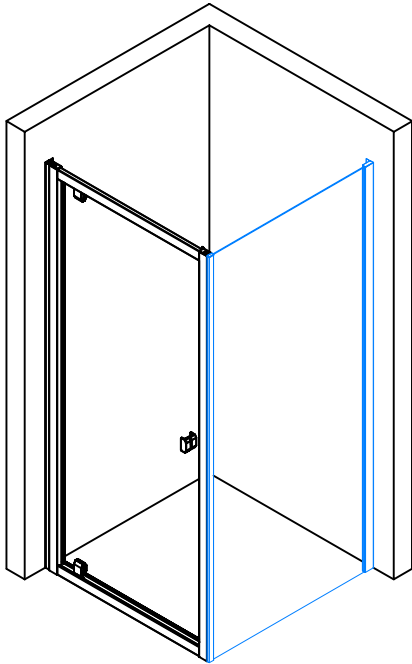


8.

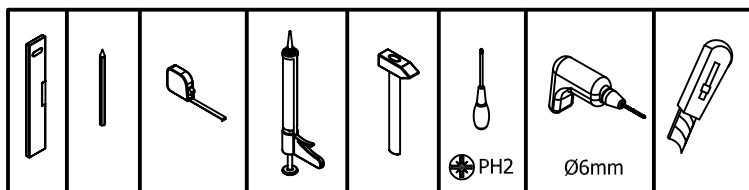


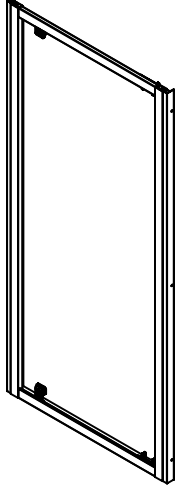








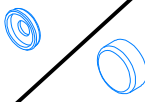



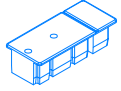
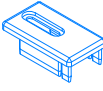



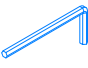

P10. → P21.

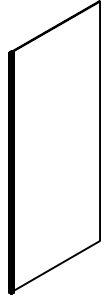

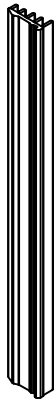

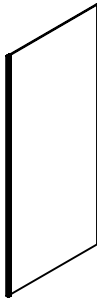





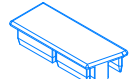
1x

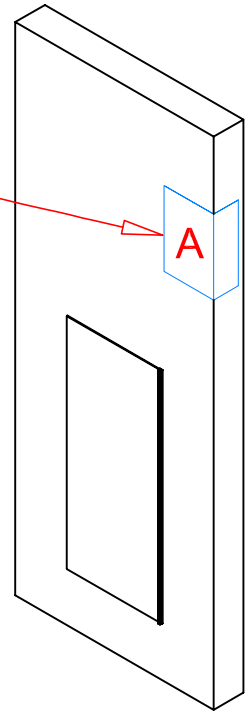
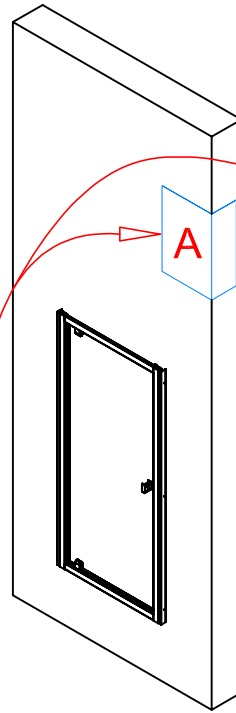
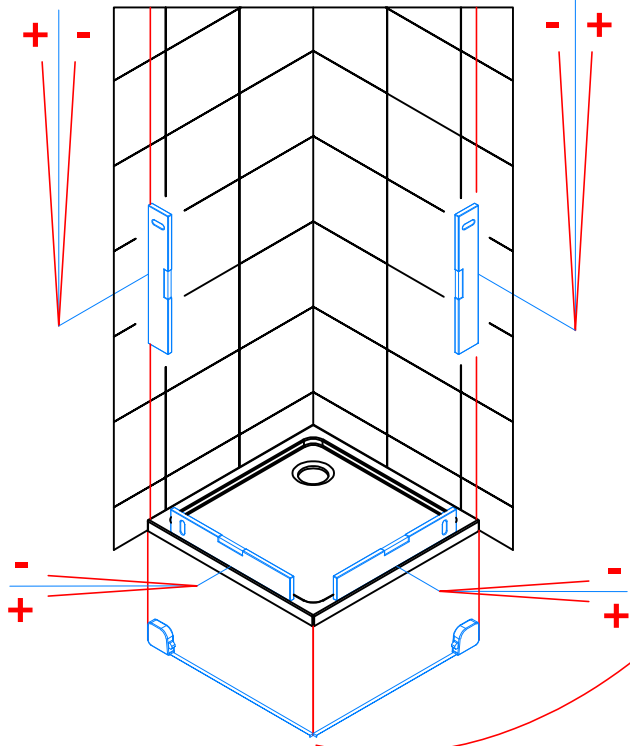


	<p>1X 82022.XXXX</p>  
	<p>1X 82023.XXX</p>  

	<p>6 x 81253</p>  <p>6 x 81254.XX</p>	 <p>6 x 14295 4.2x32mm</p>	 <p>6 x 16000 φ 6mm</p>	 <p>2 x 14196 3.5x13mm</p>
	 <p>2 x 81125.XX</p>	 <p>2 x 81121.XX</p>	 <p>2 x 81074.XX</p>	 <p>2 x 81075.XX</p>
	 <p>1 x MT0471.XX</p>	 <p>1 x 17156 5 mm</p>	 <p>1 x 11221</p>	

	<p>1X 82006.XXXX</p>  	 
---	--	---

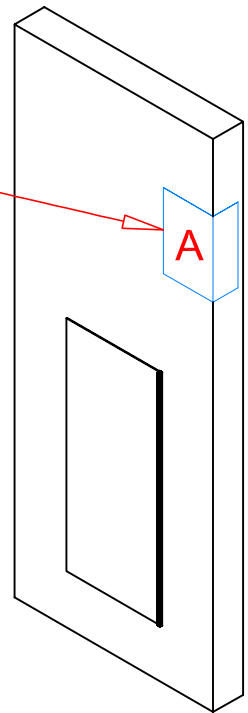
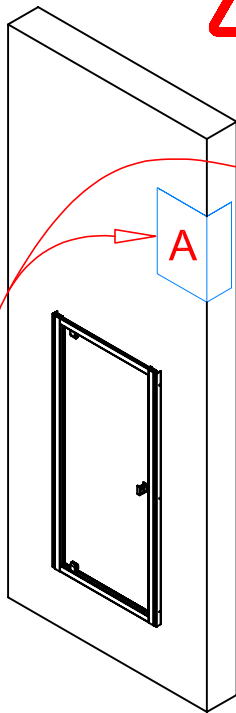
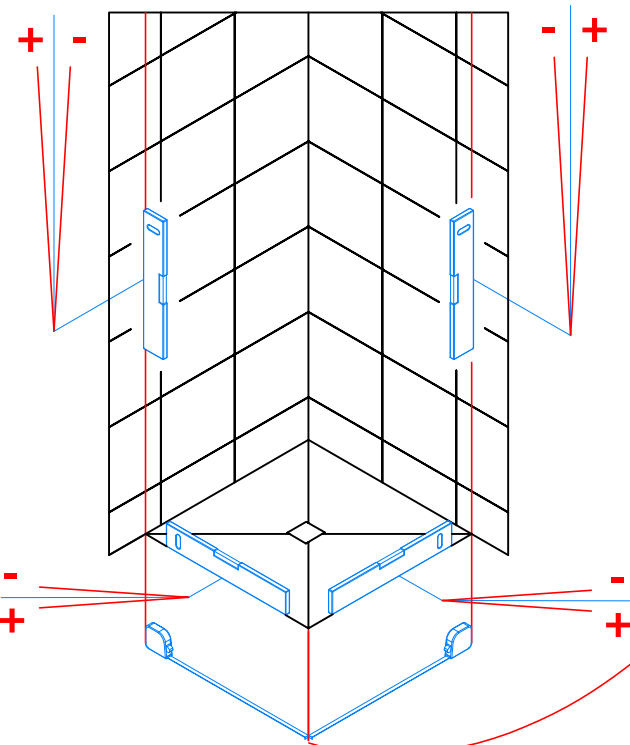
 <p>1 x 81122.XX</p>	 <p>51209</p>
 <p>1 x 81123.XX</p>	 <p>1 x 81124.XX</p>



A	
STD	SM
-20 ; +10	-10 ; +20

A	
STD	SM
-20 ; +5	-10 ; +15

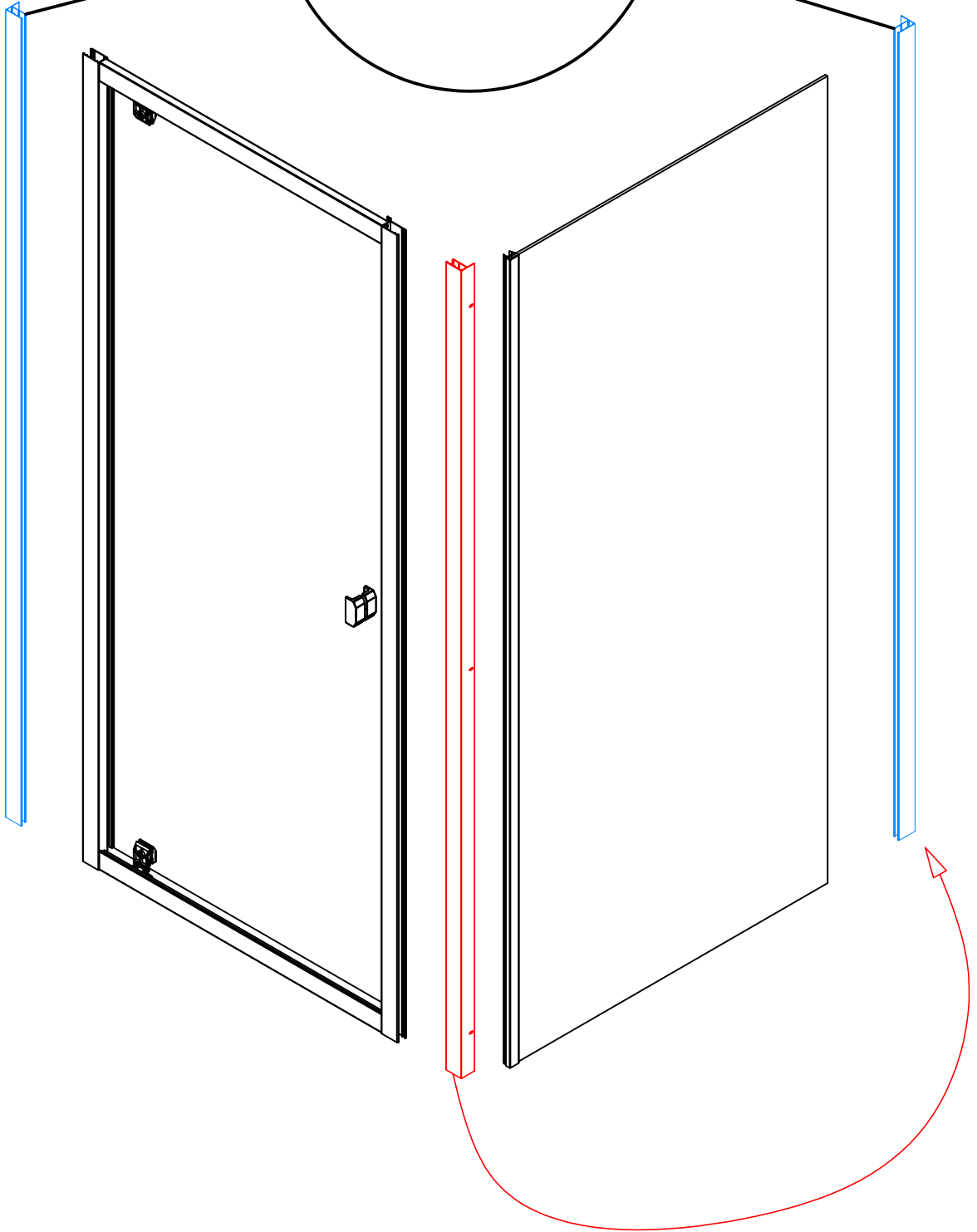
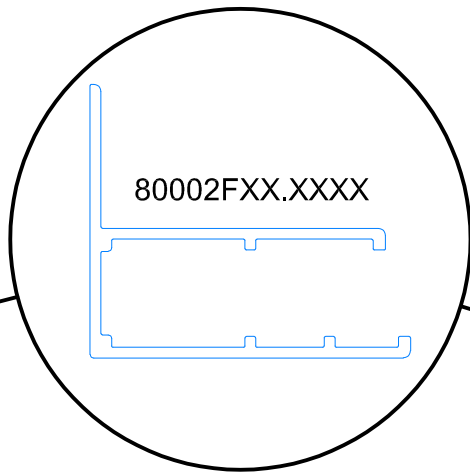
9.

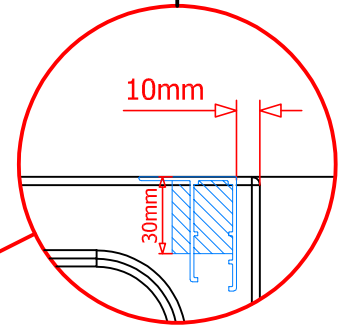
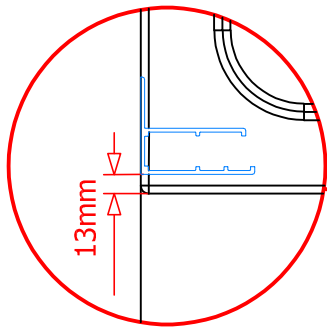
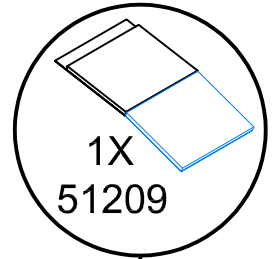
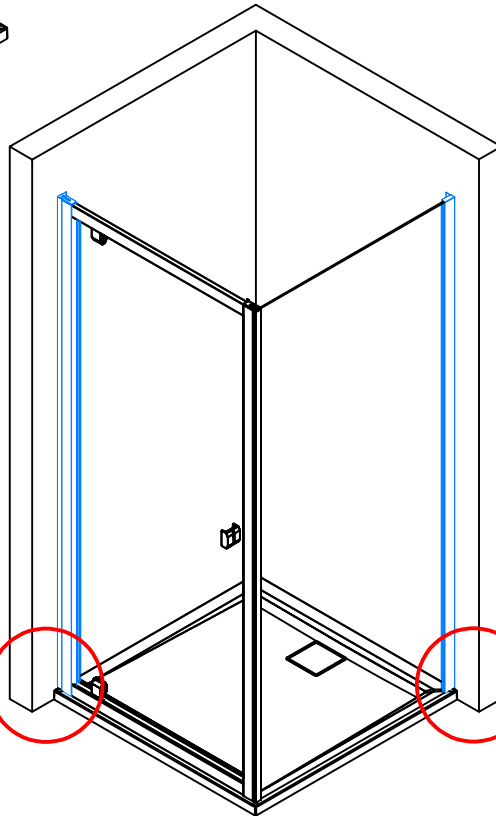
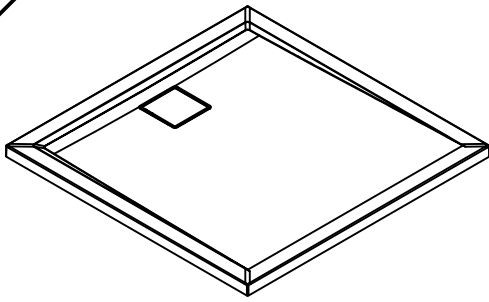


A	
STD	SM
-36 ; -6	-10 ; +20

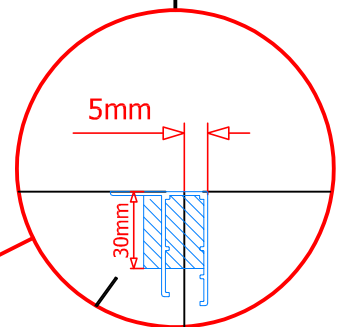
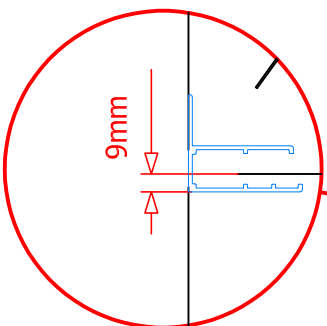
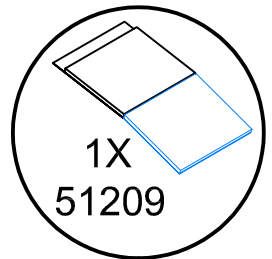
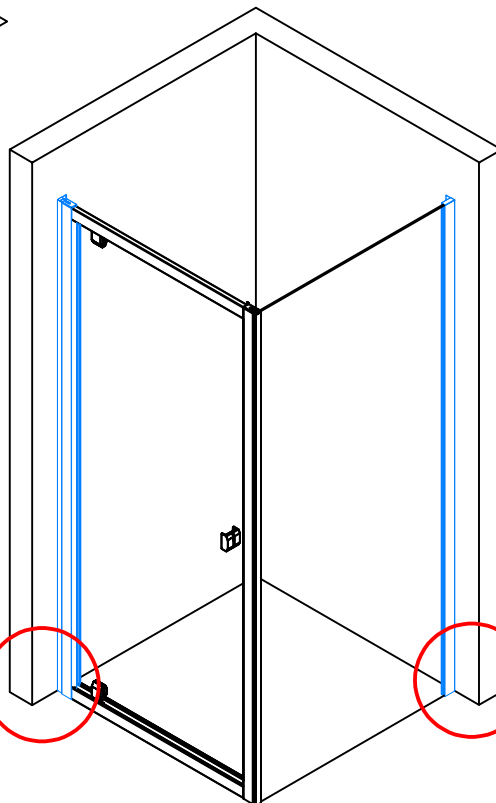
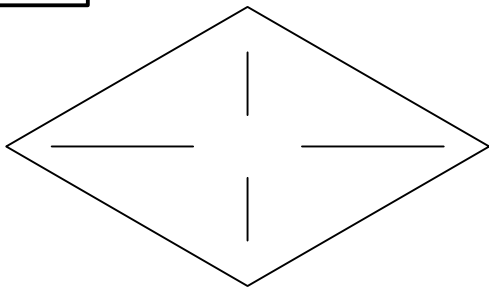
A	
STD	SM
-42 ; -17	-10 ; +15

10.

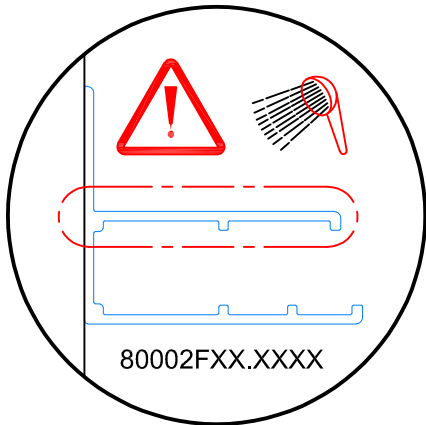
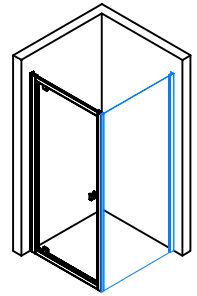




11.

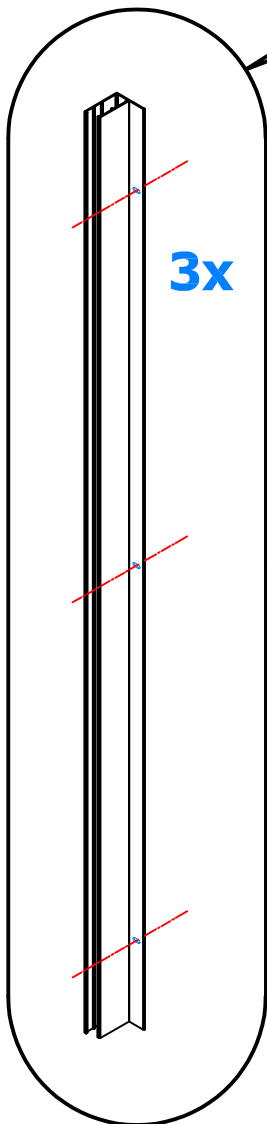
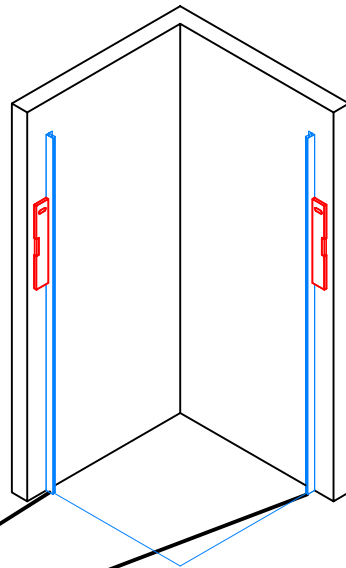


12.1 → 12.3

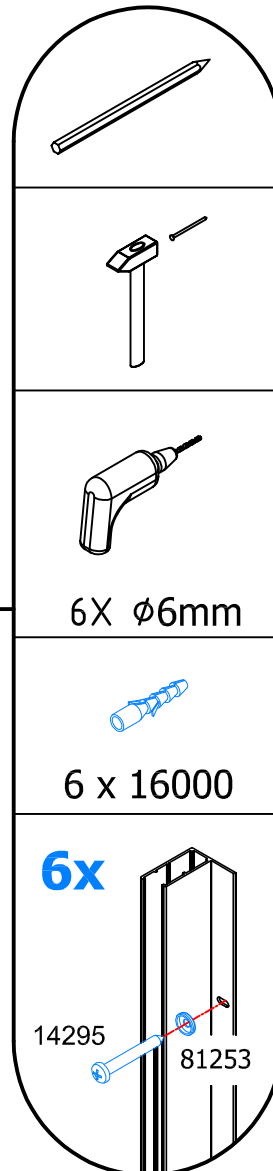


12.1

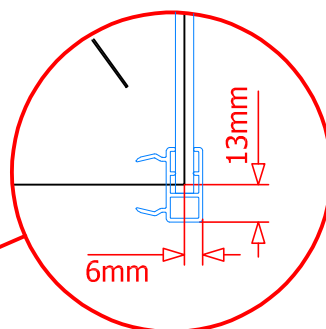
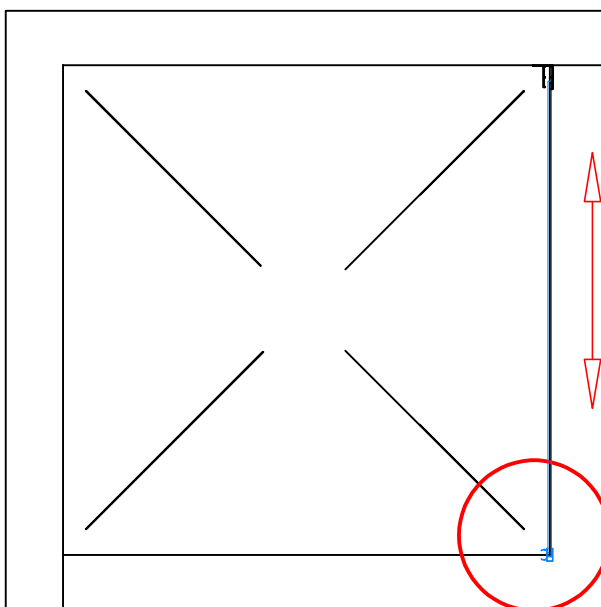
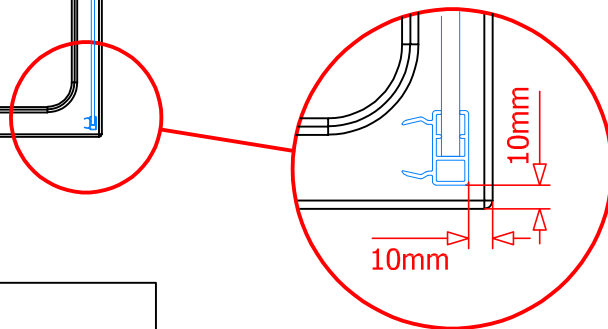
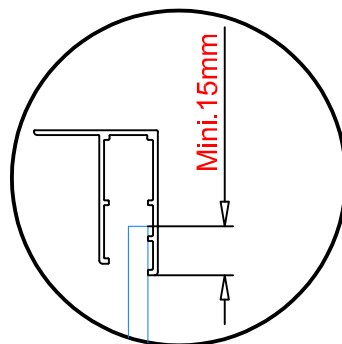
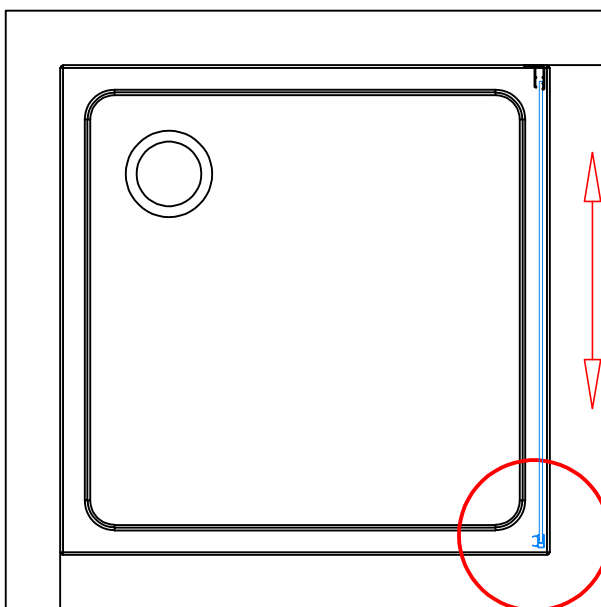
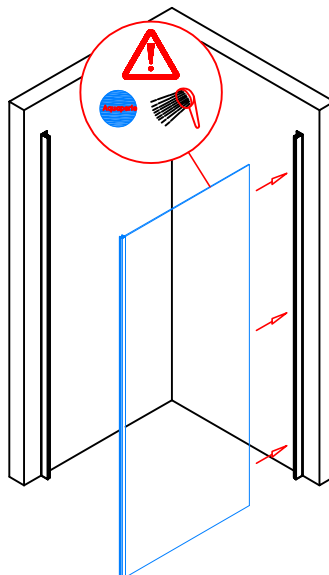
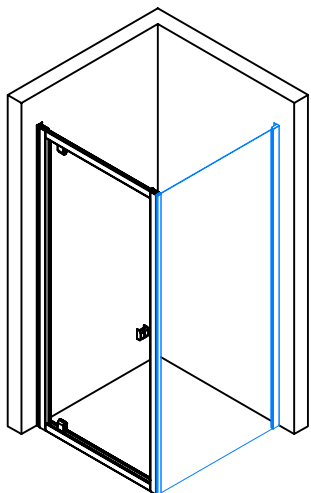
12.2



12.3

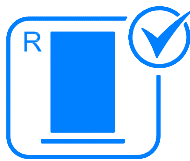
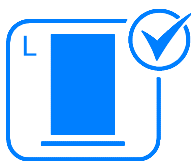
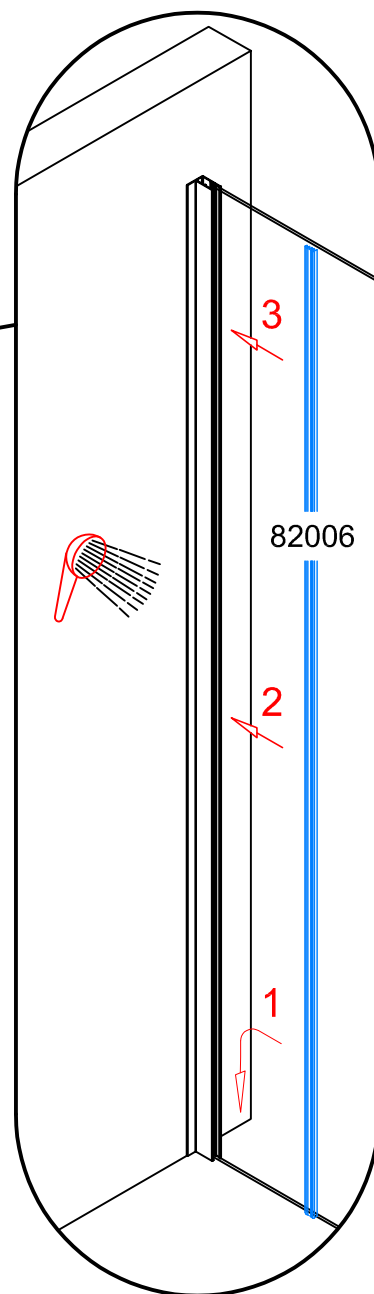
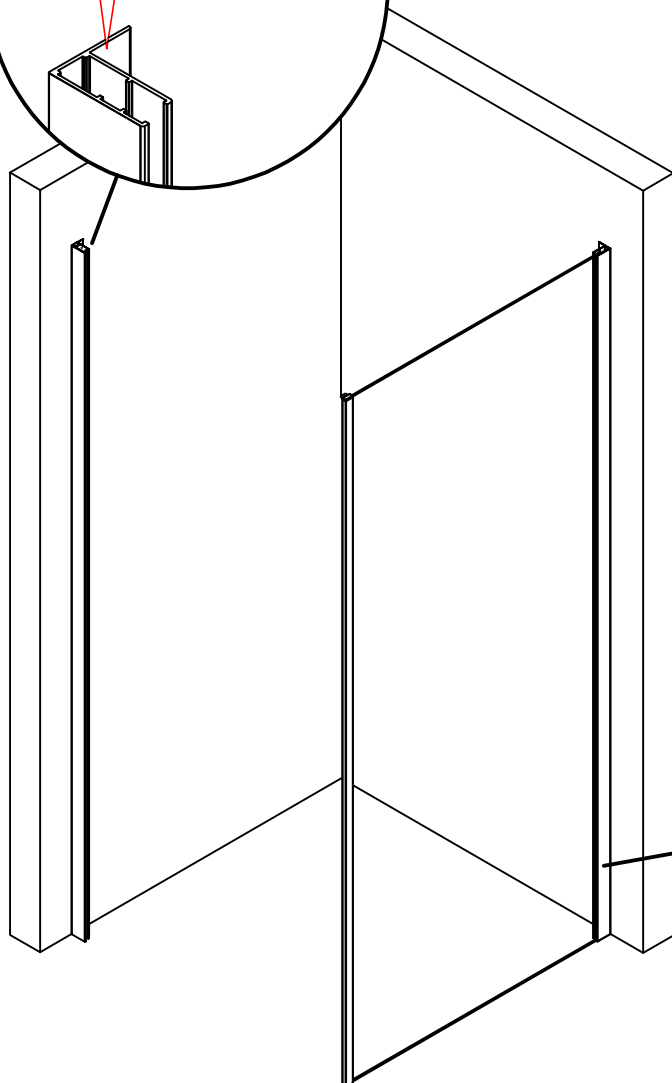
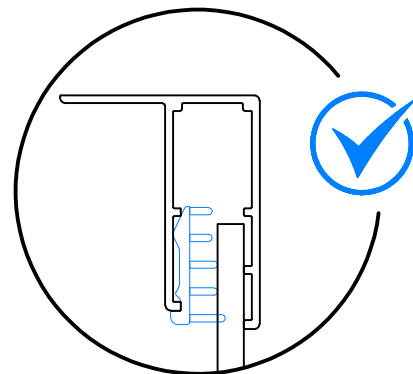
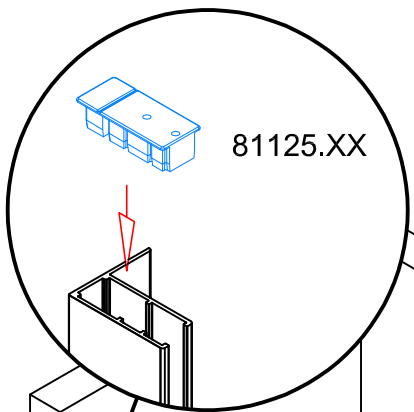


13.

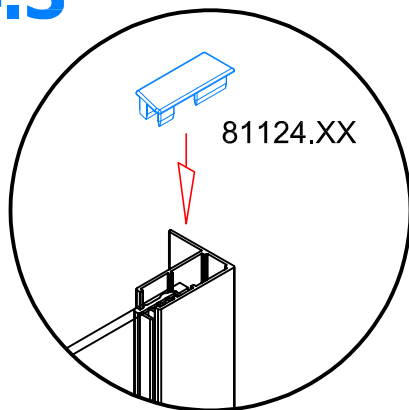
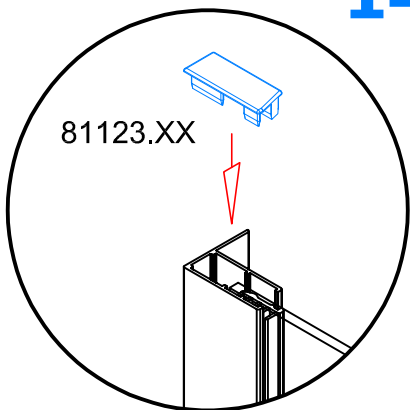


14.1 → 14.3

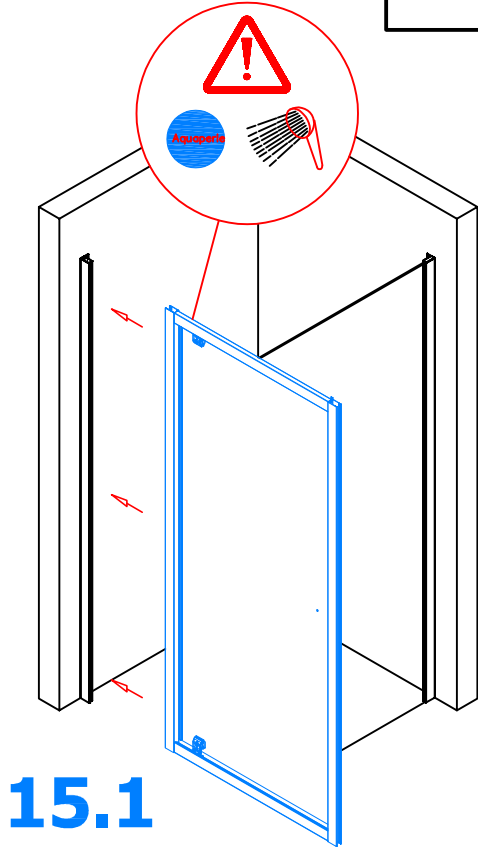
14.1



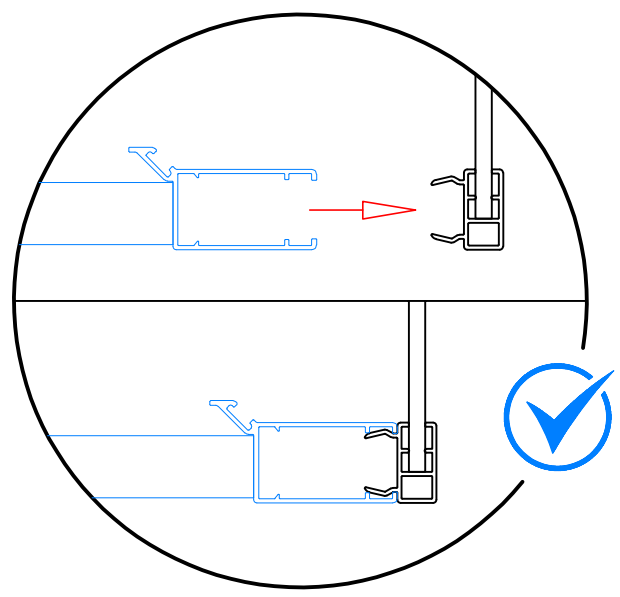
14.3



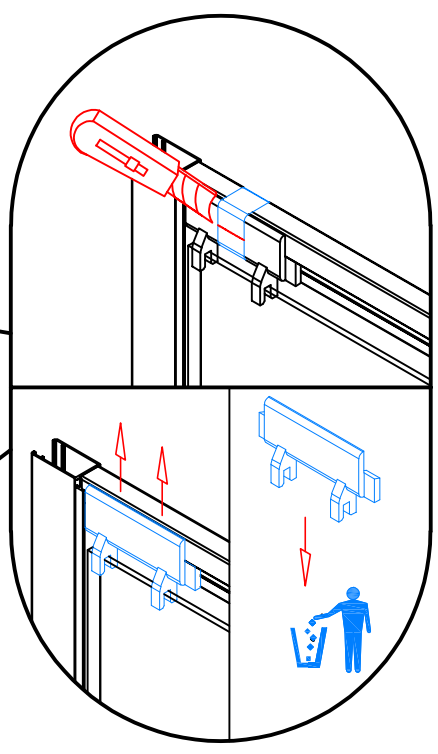
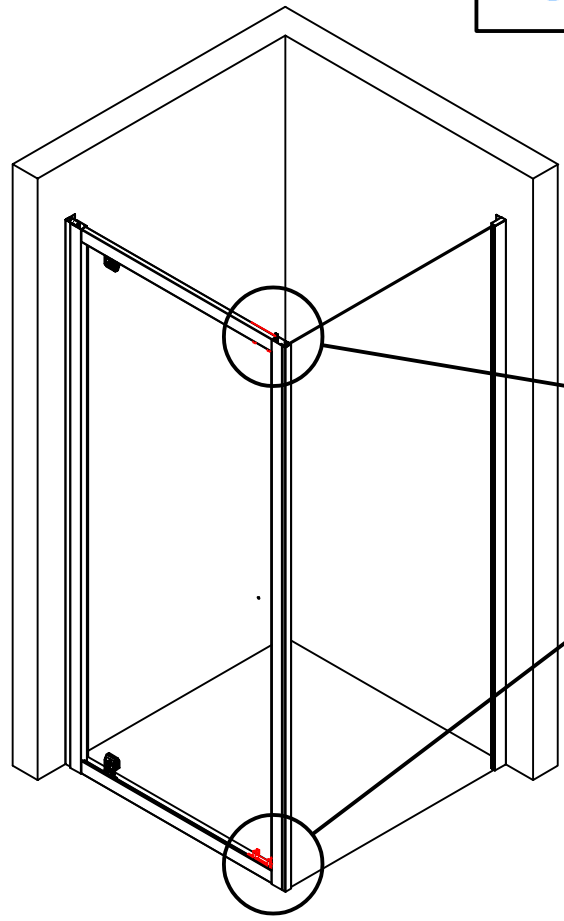
15.1 → 15.2



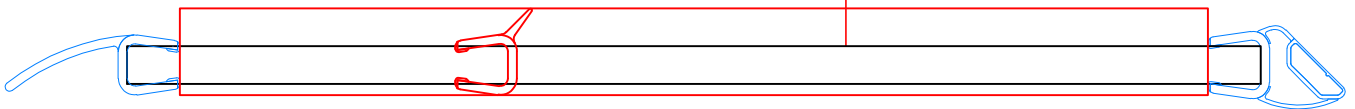
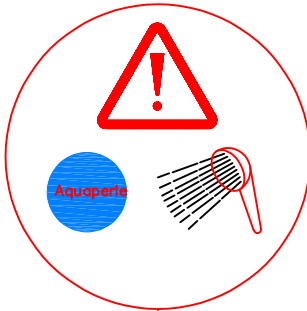
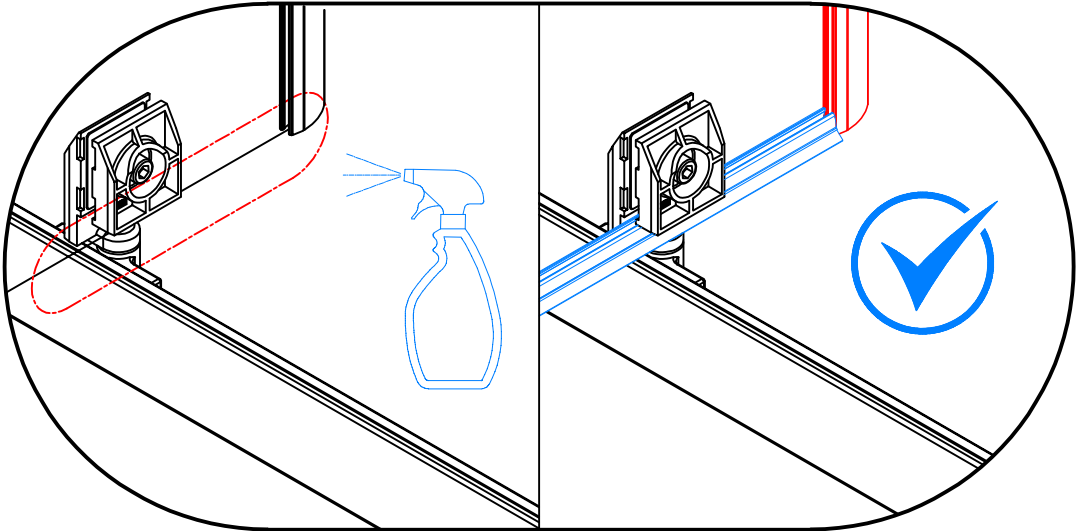
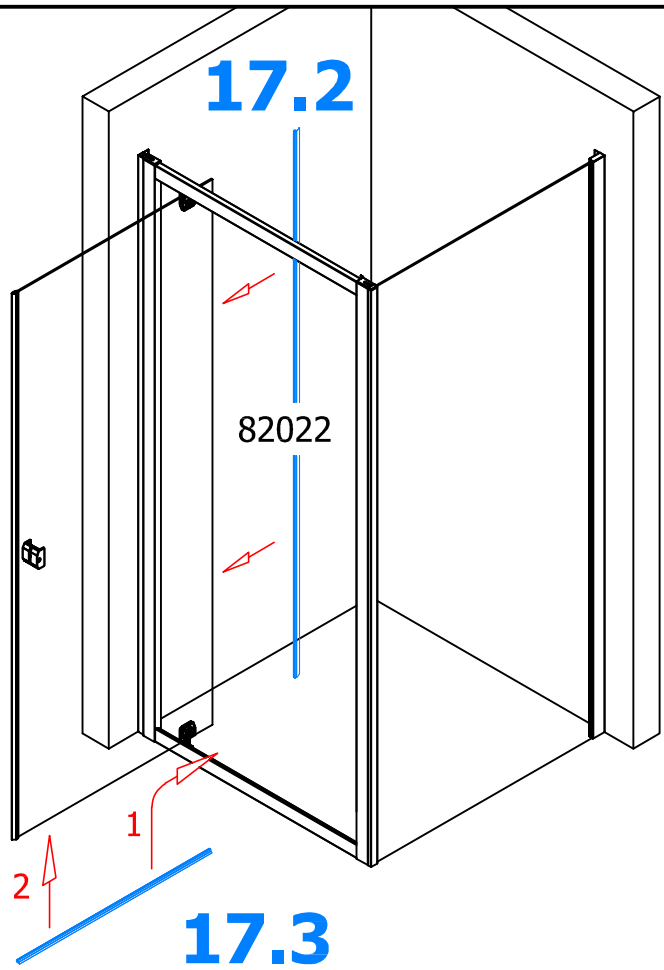
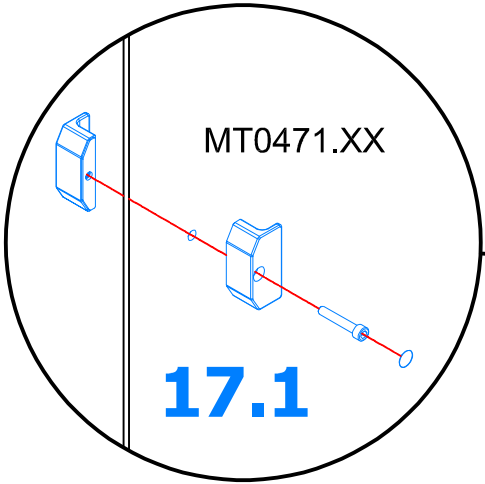
15.2



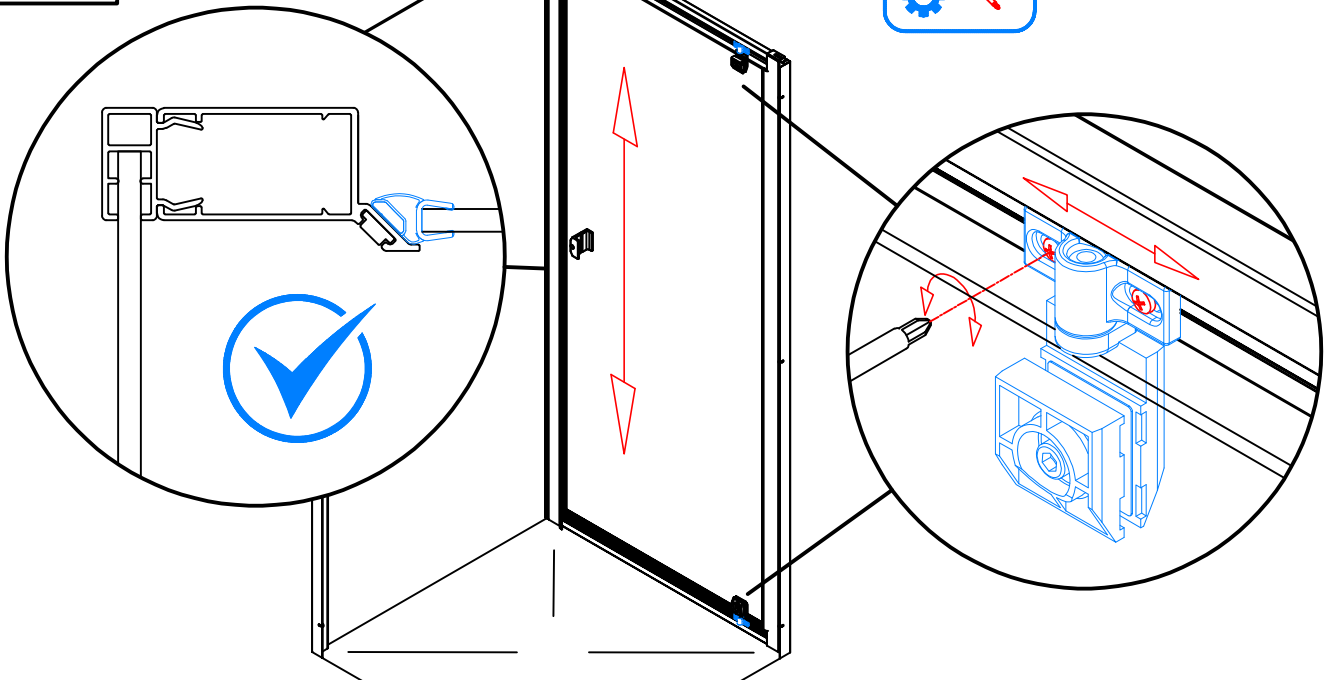
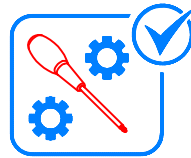
16.



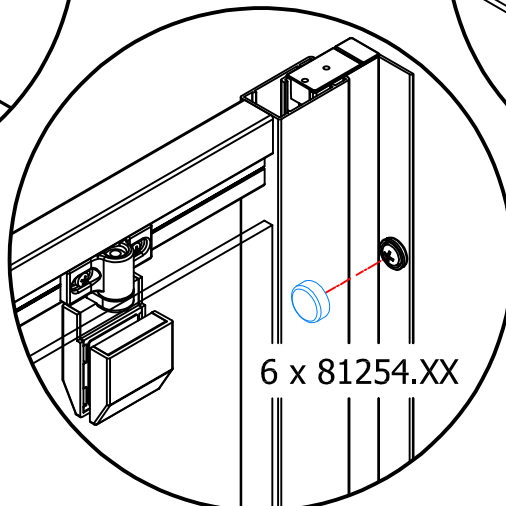
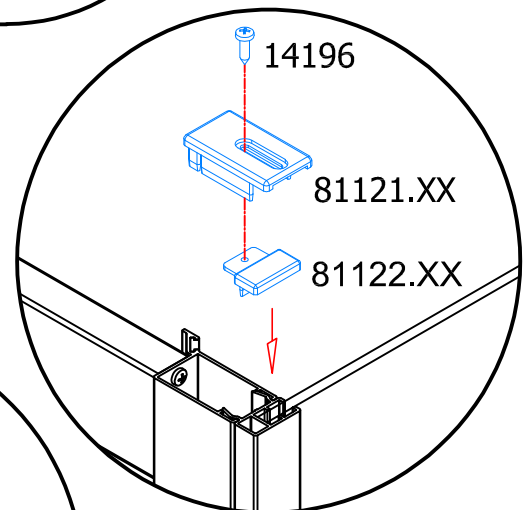
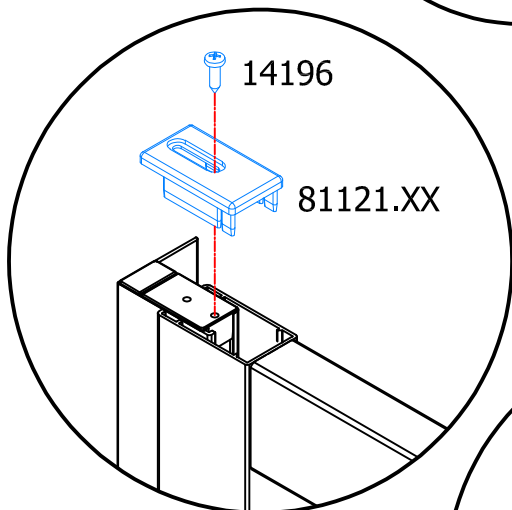
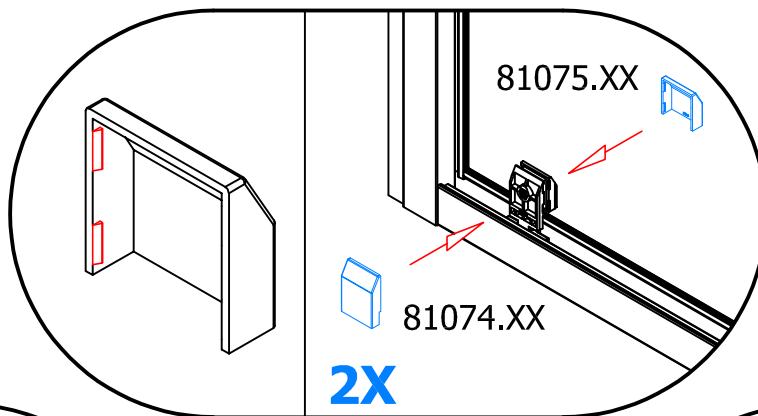
17.1 → 17.3



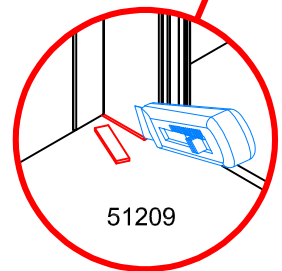
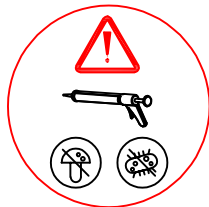
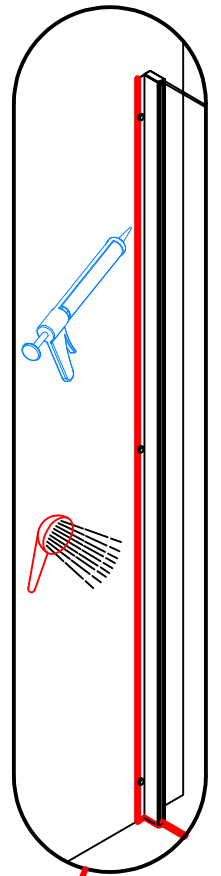
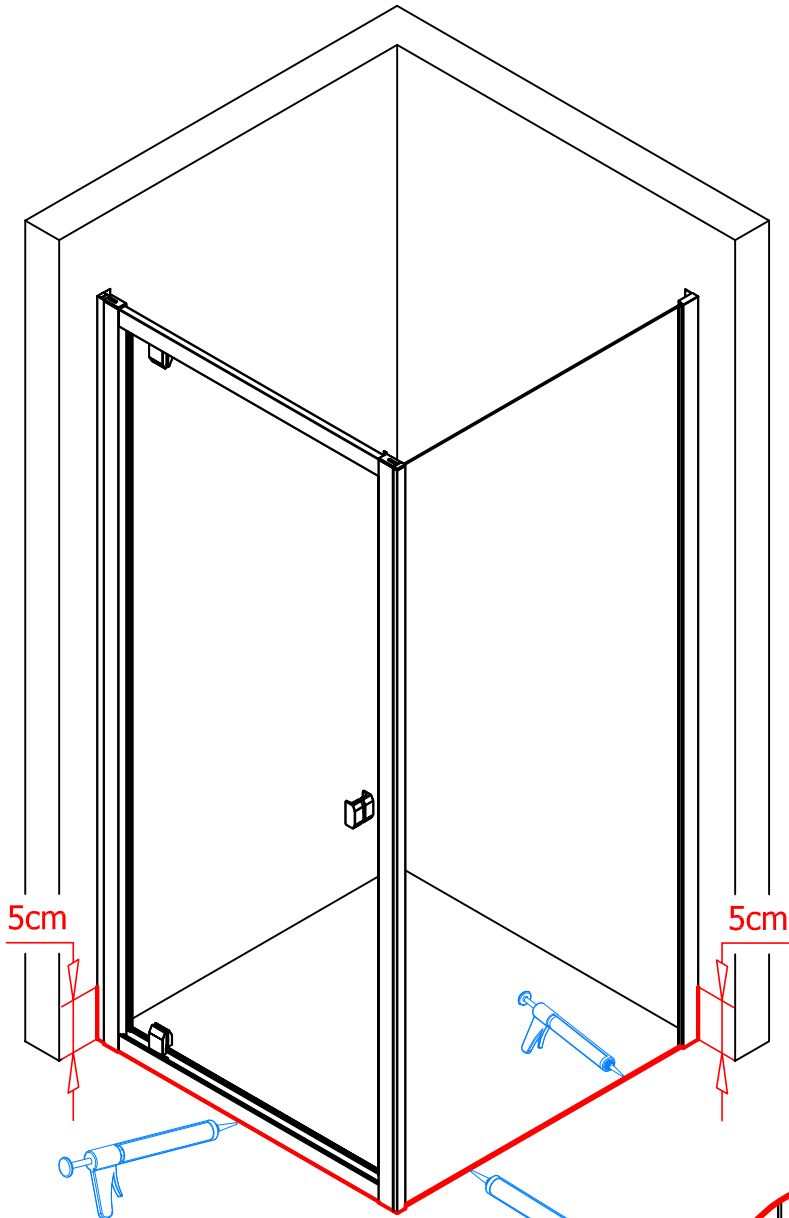
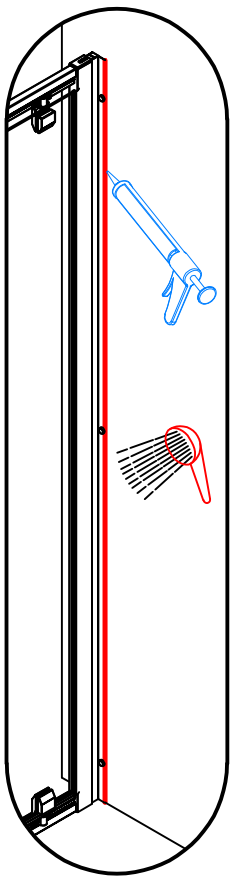
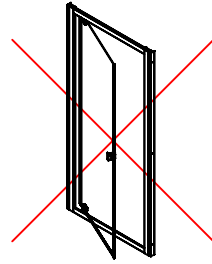
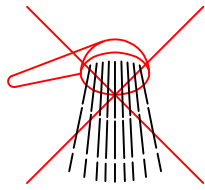
18.



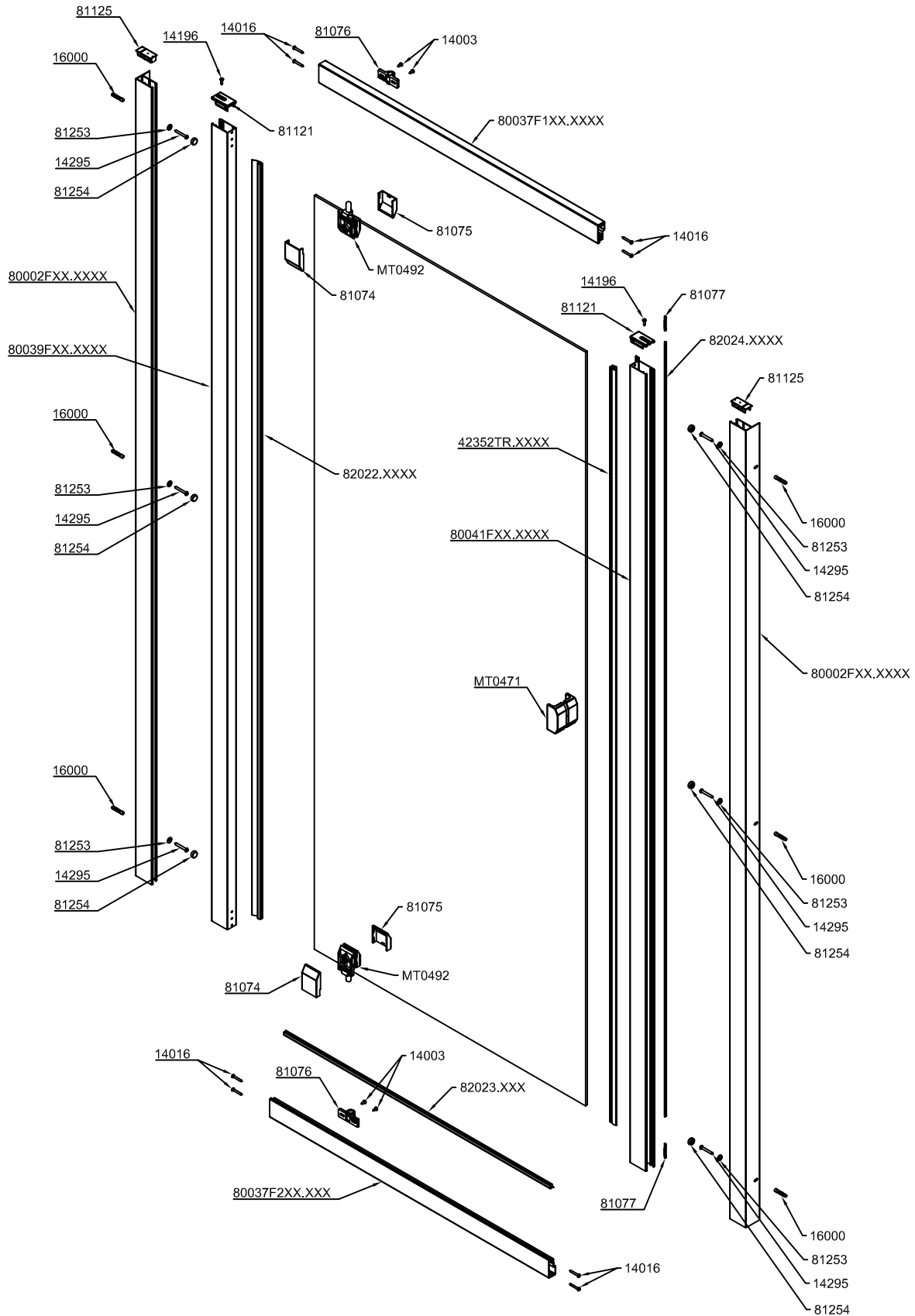
19.



20.

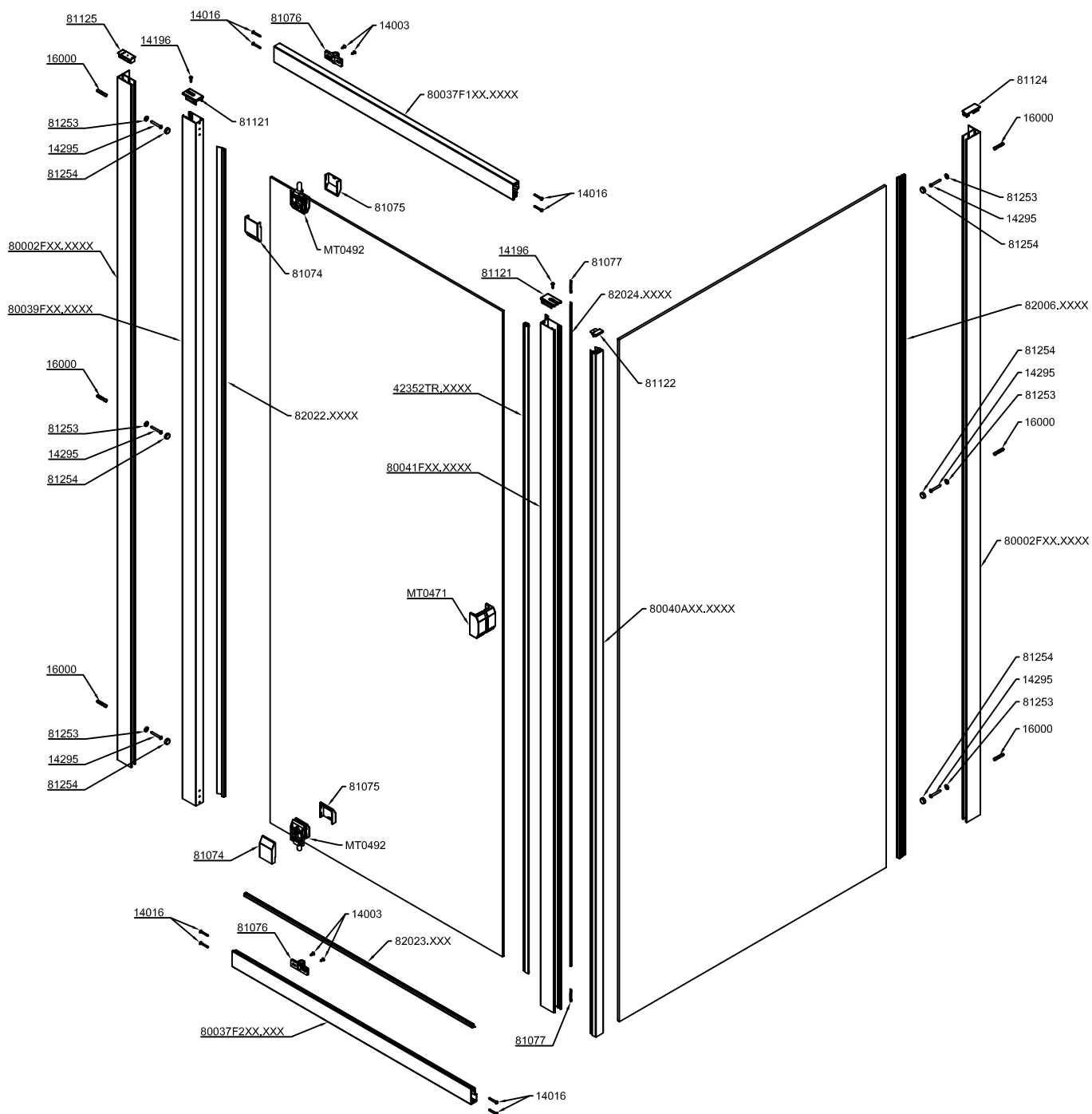


D20T1



D20T1

D20F1



D20T1

D20F1

