

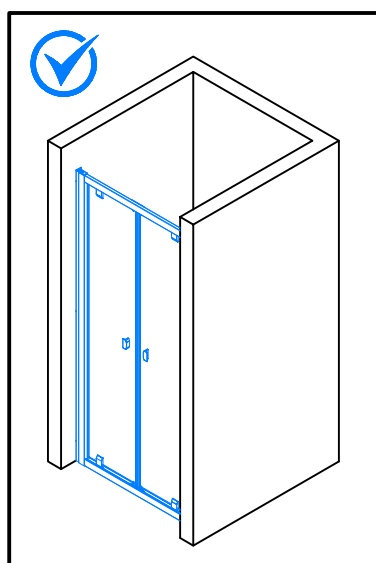
19862



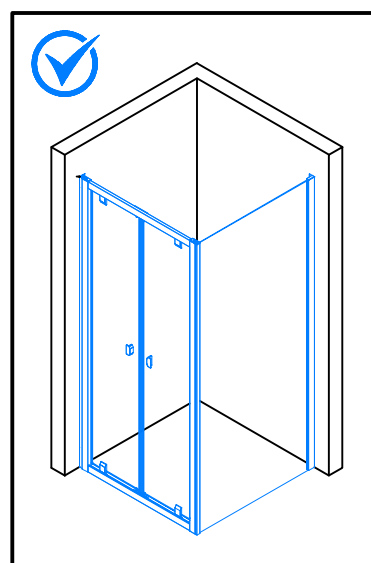
D20T2



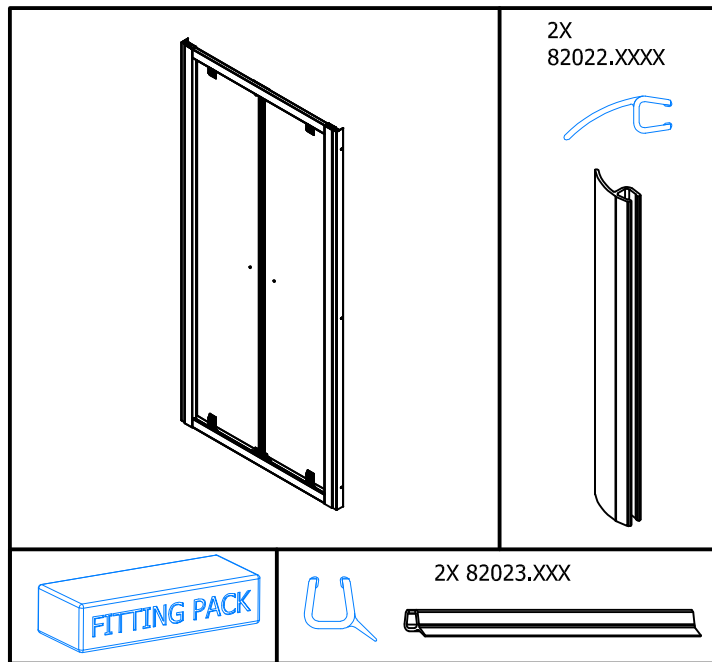
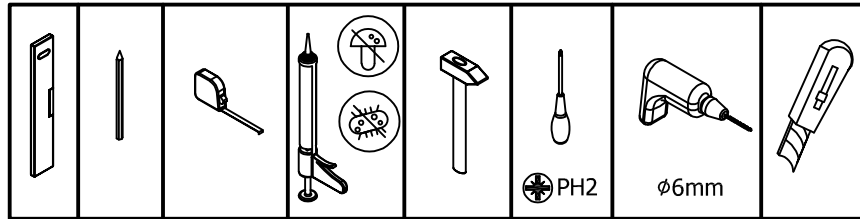
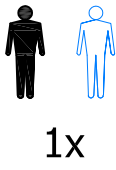
D20T2 + D20F1



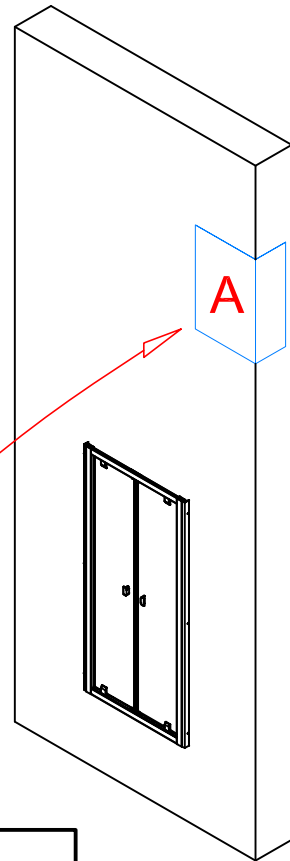
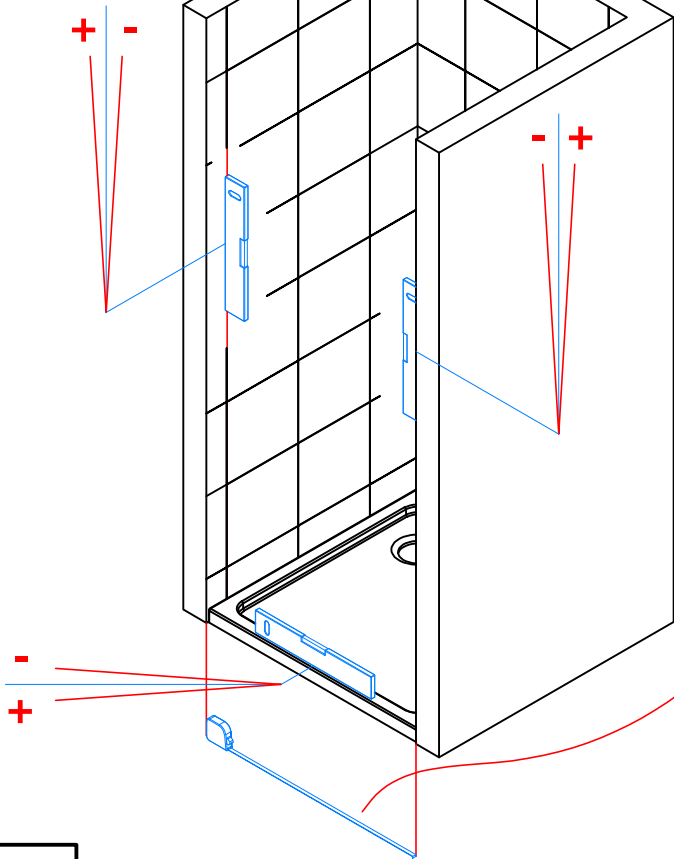
P1. → P9.



P10. → P21.

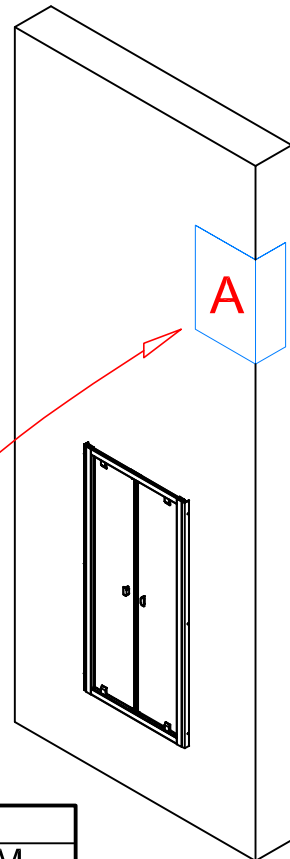
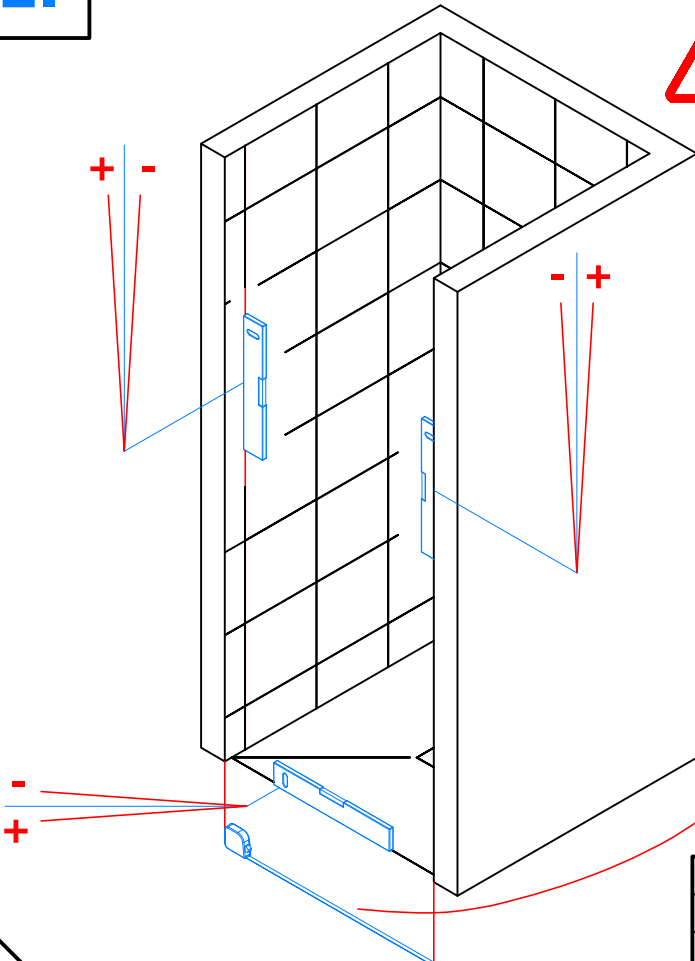


	<p>6 x 81253</p>	<p>6 x 14295 4.2x32mm</p>	<p>6 x 16000 ø 6mm</p>	<p>2 x 14196 3.5x13mm</p>
	<p>6 x 81254.XX</p>	<p>2 x 81125.XX</p>	<p>2 x 81121.XX</p>	<p>4 x 81074.XX</p>
	<p>2 x 81125.XX</p>	<p>2 x 81121.XX</p>	<p>4 x 81074.XX</p>	<p>4 x 81075.XX</p>
	<p>2 x MT0471.XX</p>	<p>1 x 81467.XX</p>	<p>2x 14003 3.5 X 9.5 mm</p>	<p>1 x 11221</p>
				<p>1 x 17156 5 mm</p>

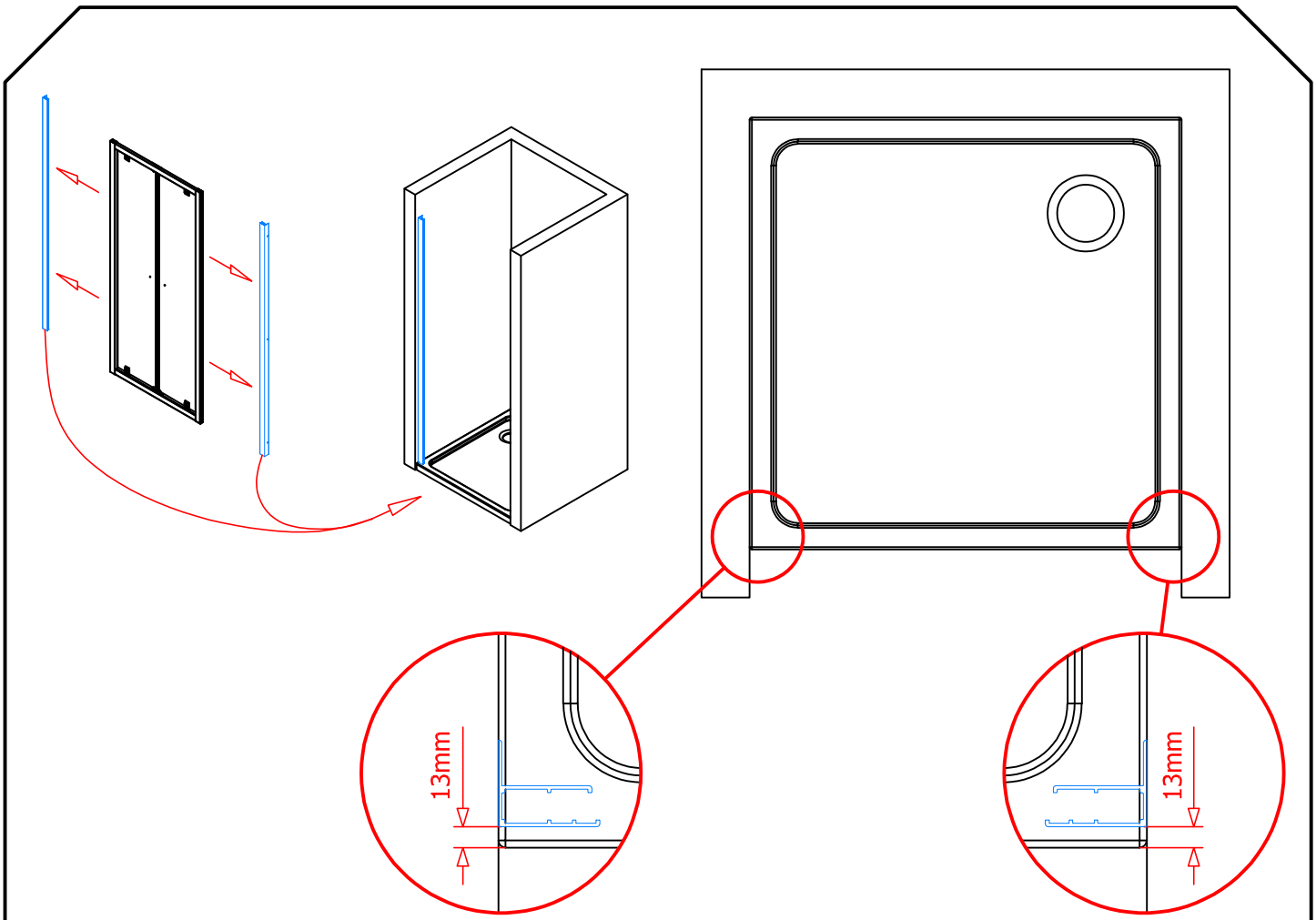


A	
STD	SM
-40 ; +20	-20 ; +40

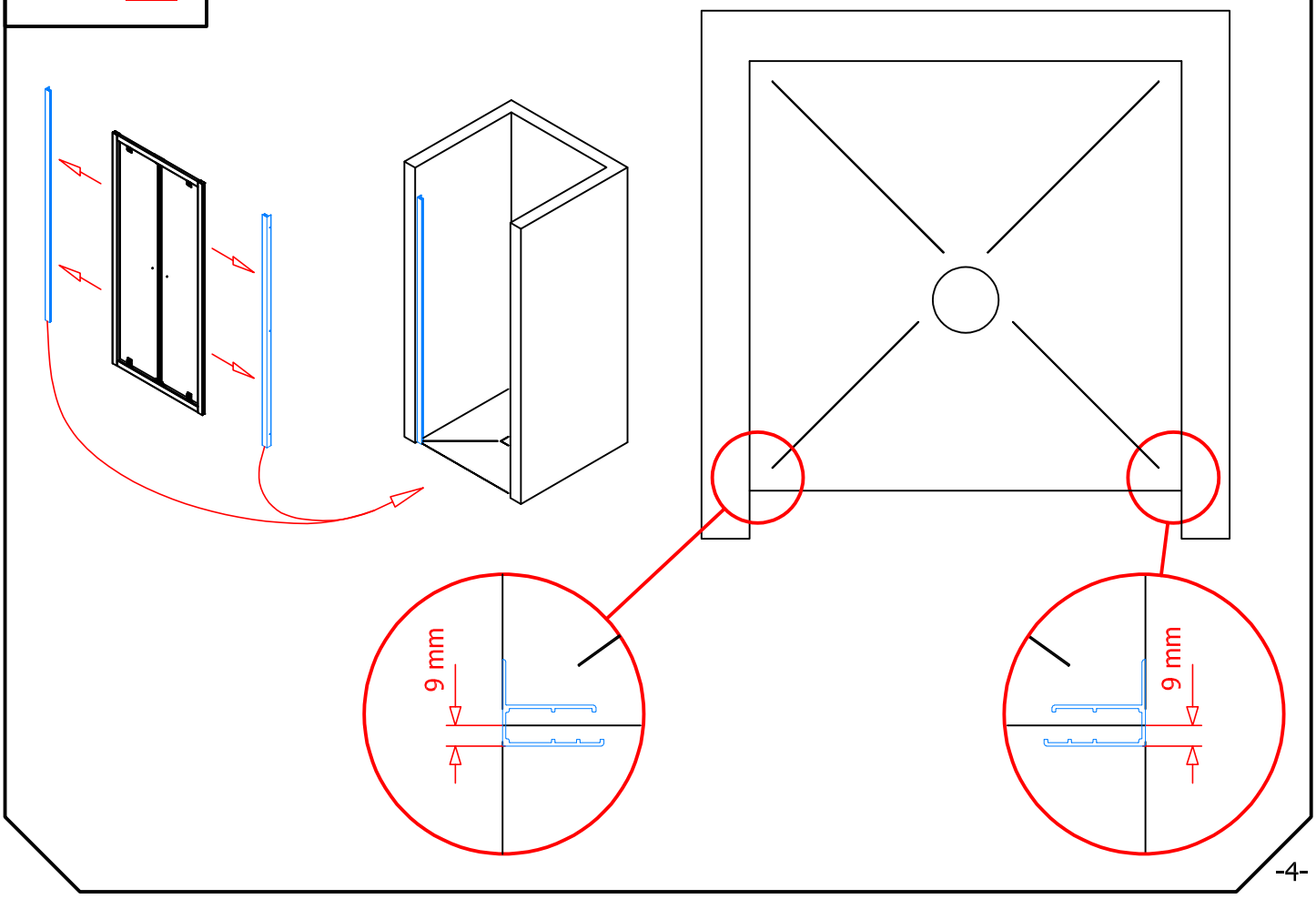
1.



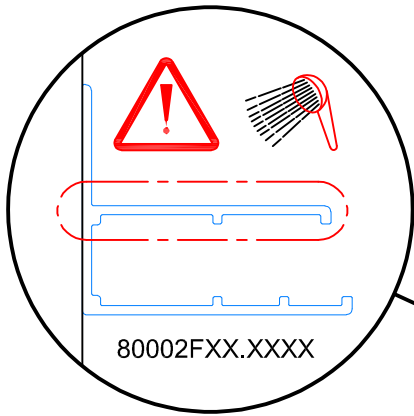
A	
STD	SM
-40 ; +20	-20 ; +40



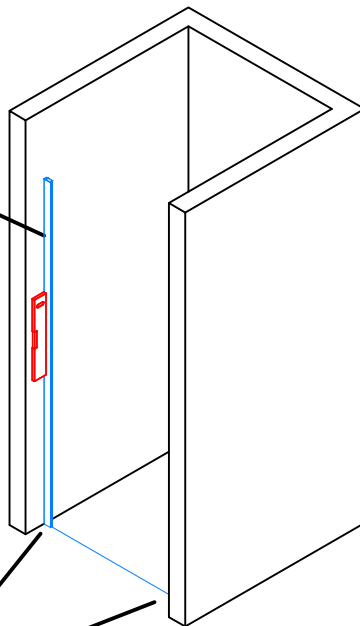
2.



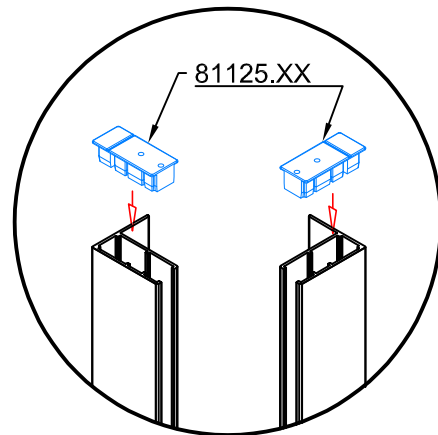
3.1 → 3.4



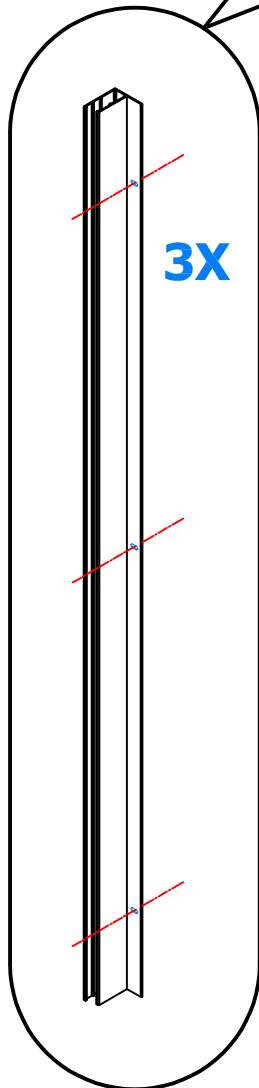
3.1



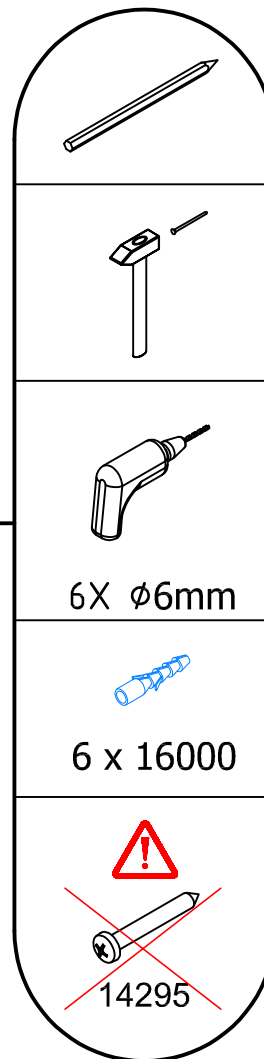
3.2



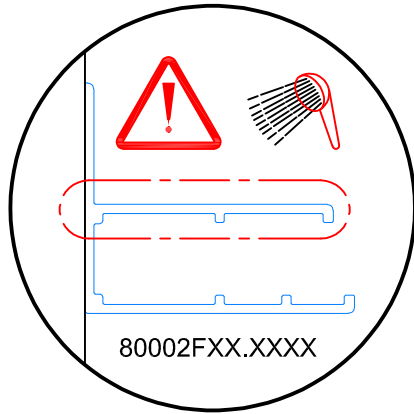
3.4



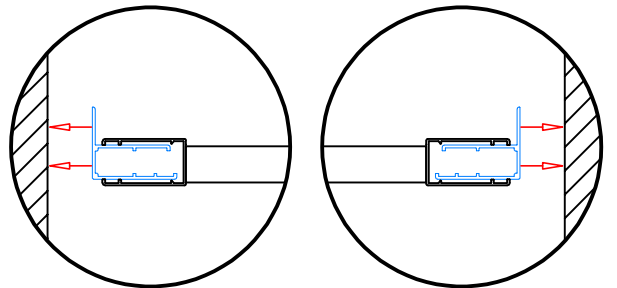
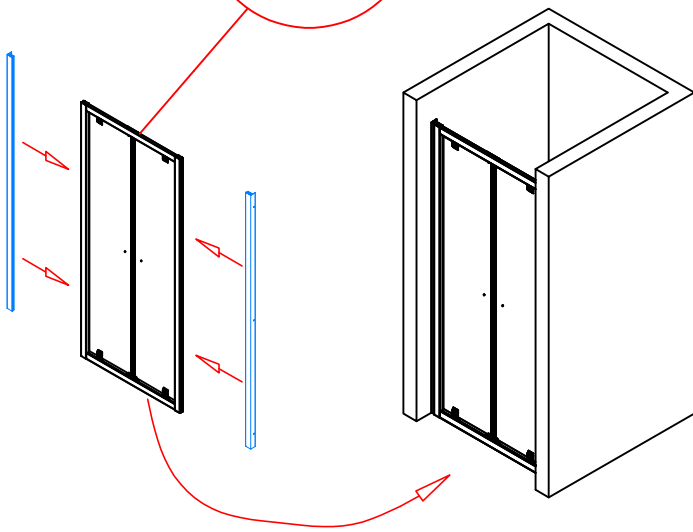
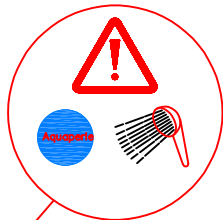
3.3



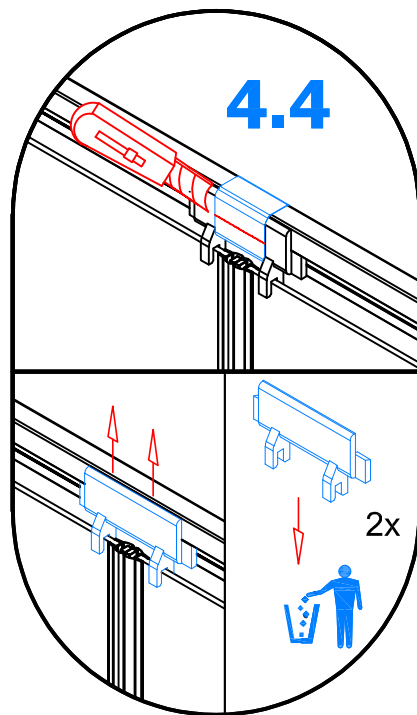
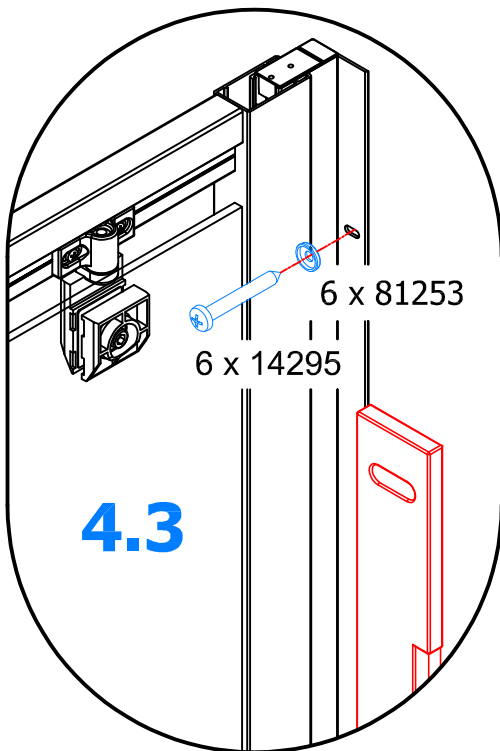
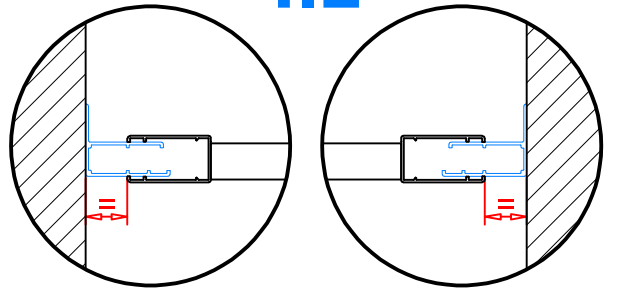
4.1 → 4.4



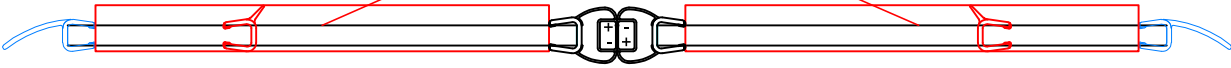
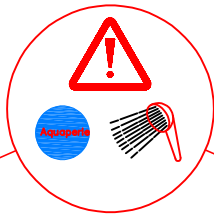
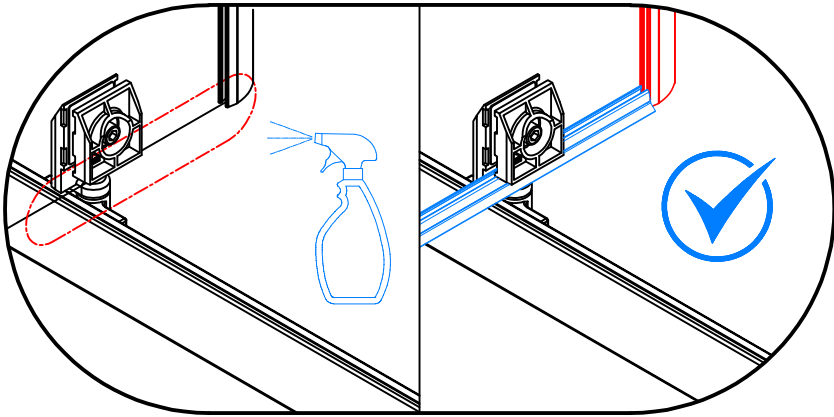
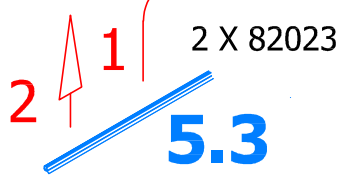
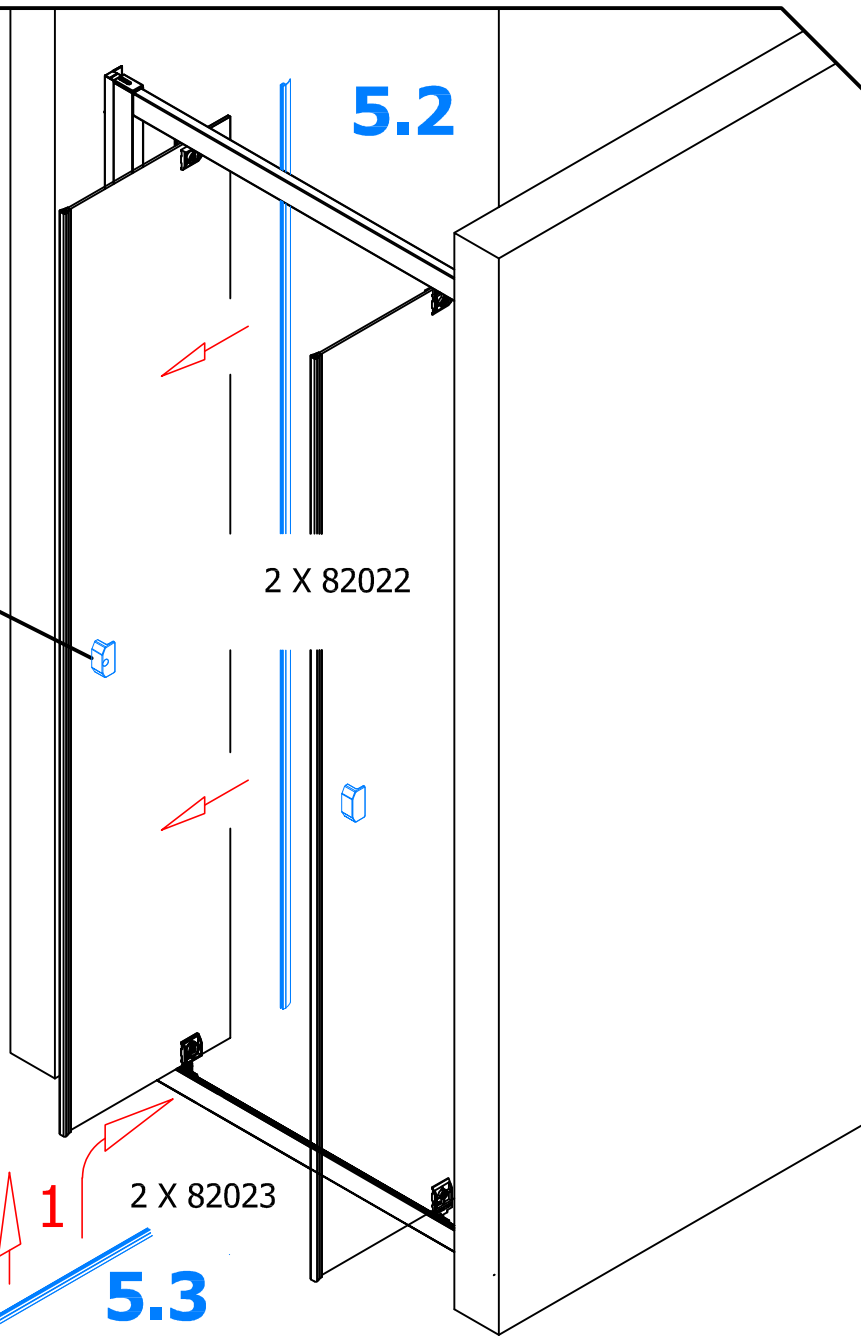
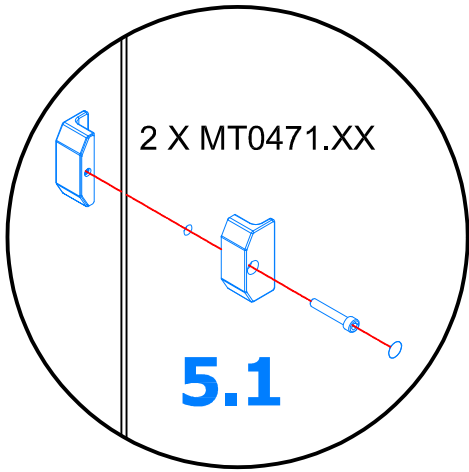
4.1



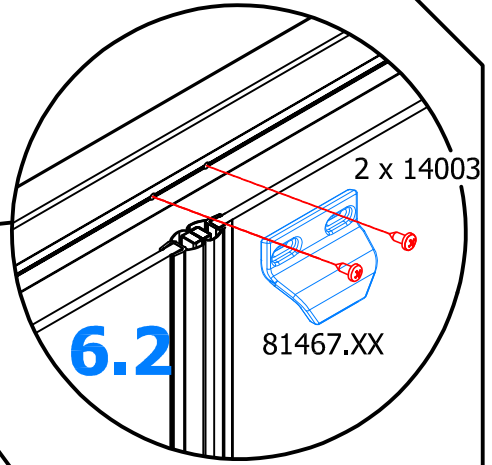
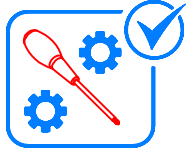
4.2



5.1 → 5.3

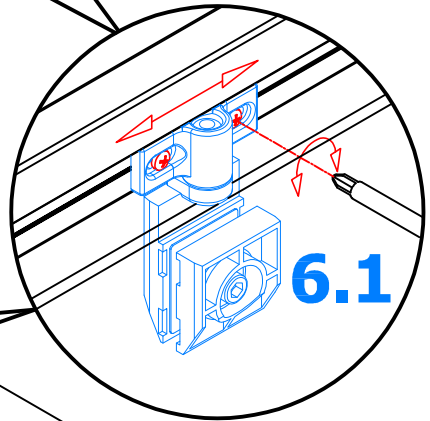


6.1 → 6.2

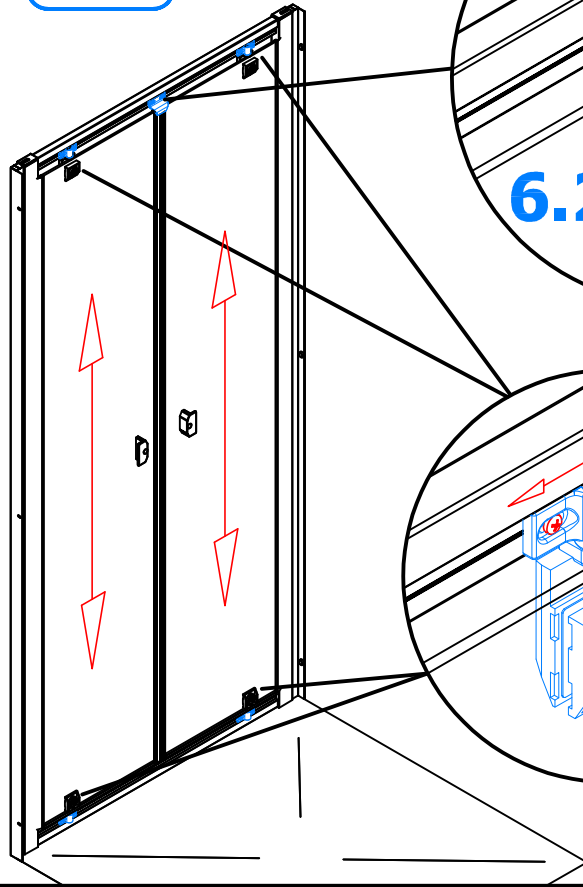
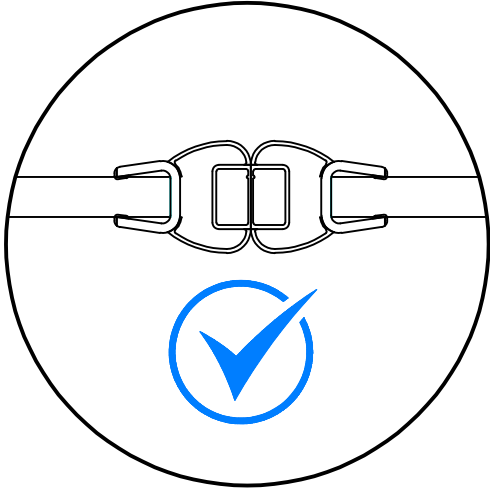


6.2

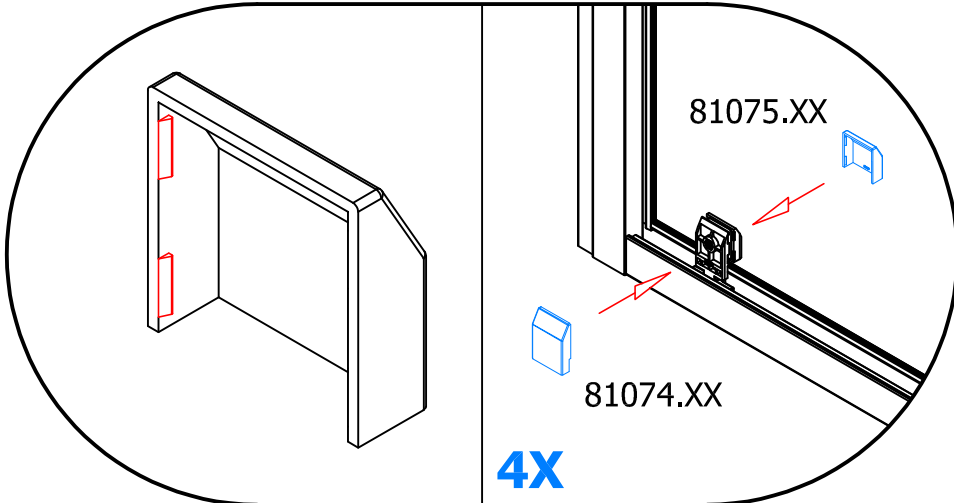
81467.XX



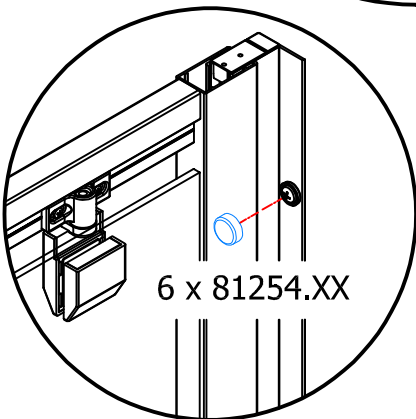
6.1



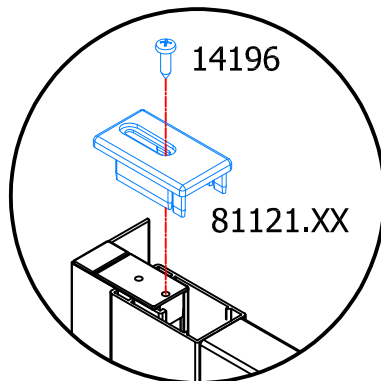
7.



4X

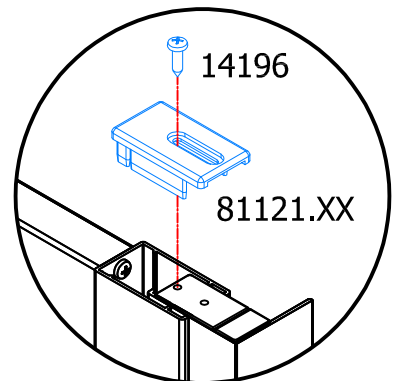


6 x 81254.XX



14196

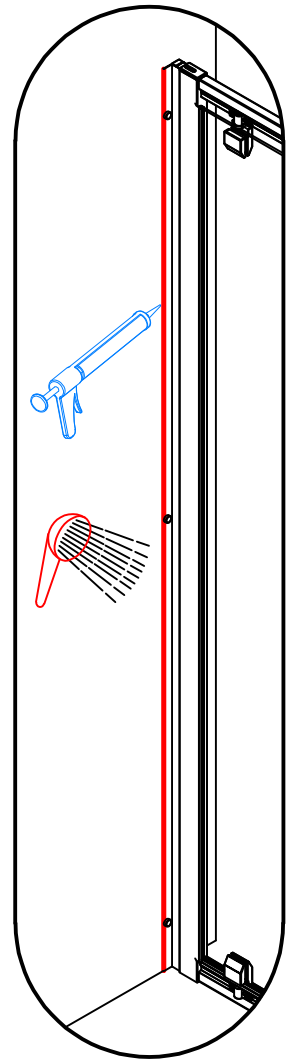
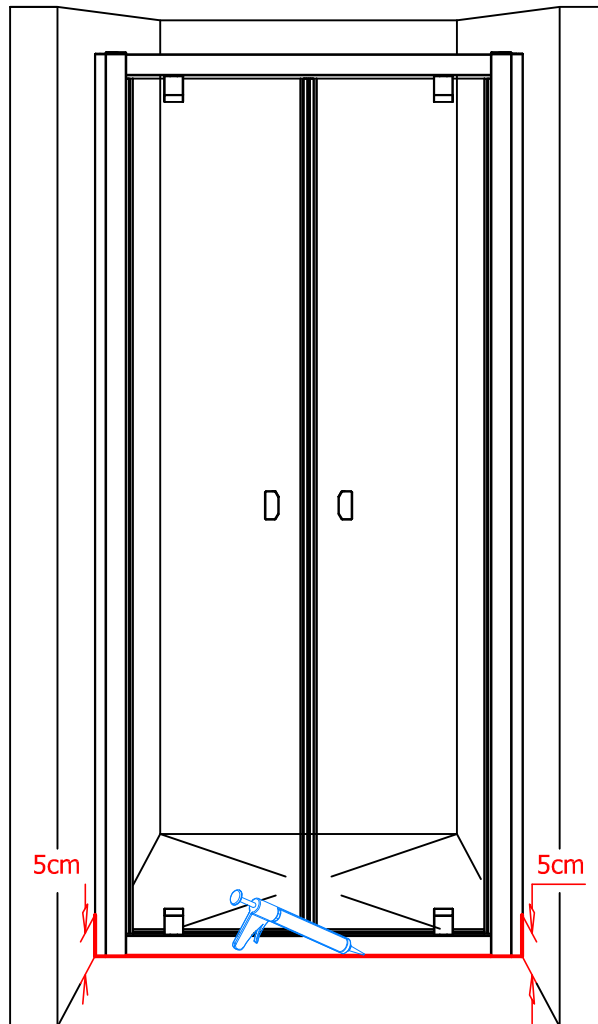
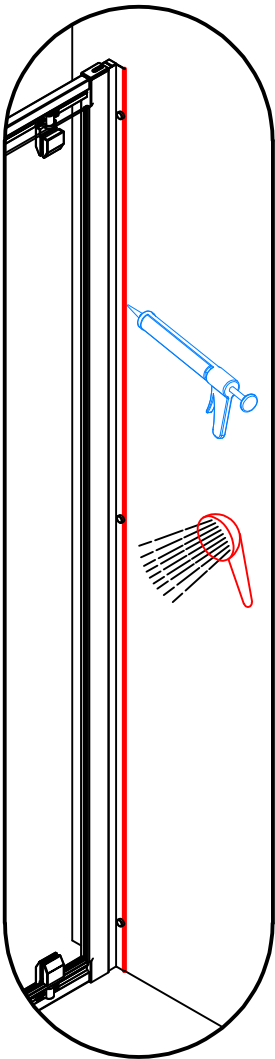
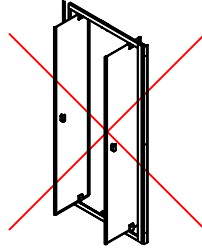
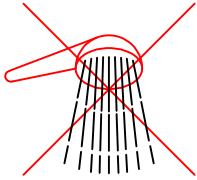
81121.XX



14196

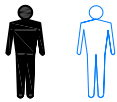
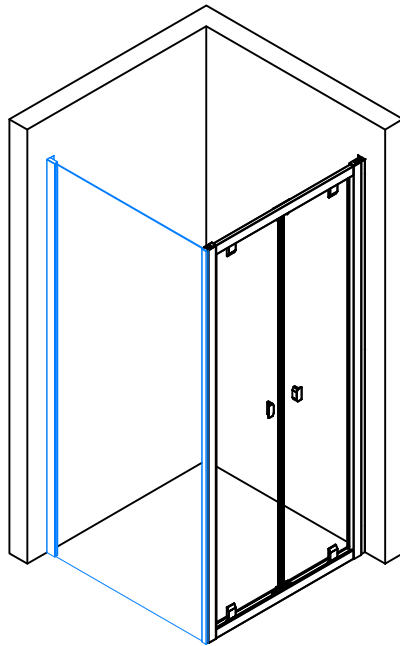
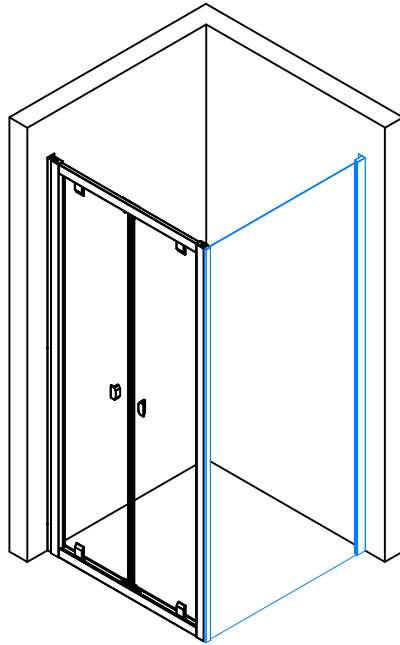
81121.XX

8.

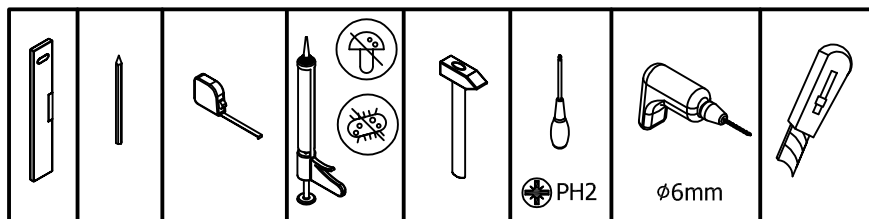


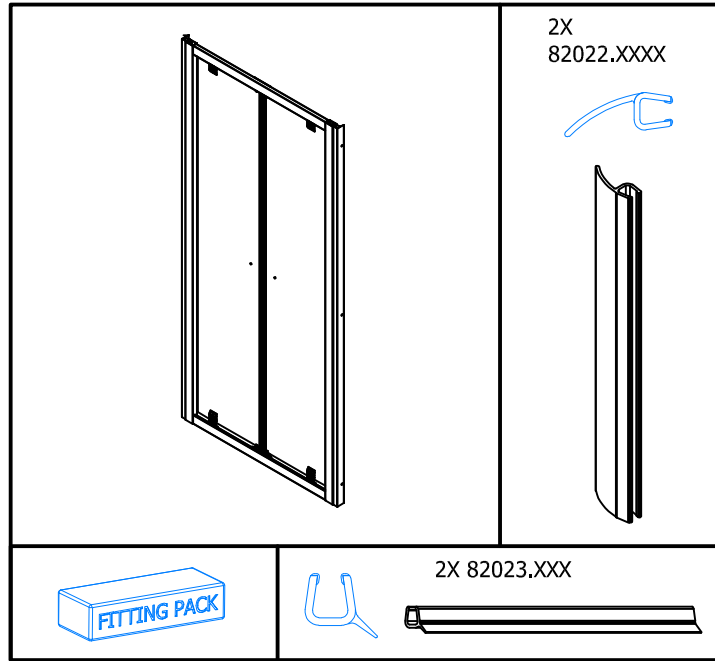


P10. → P21.

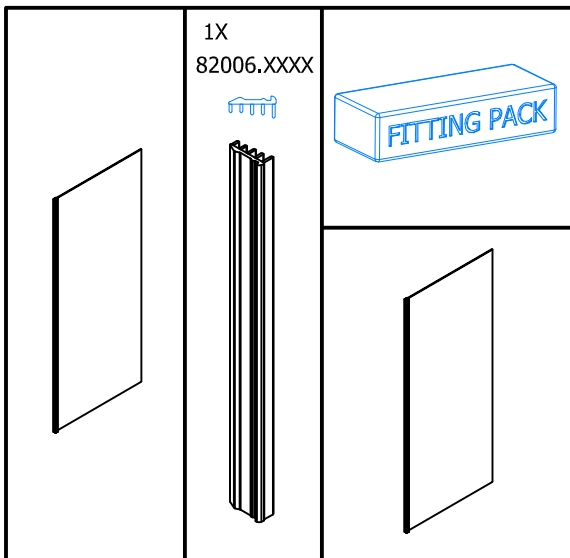


1x

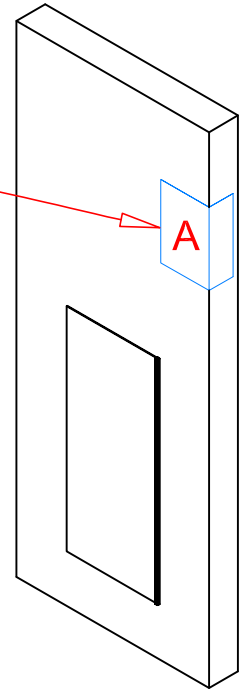
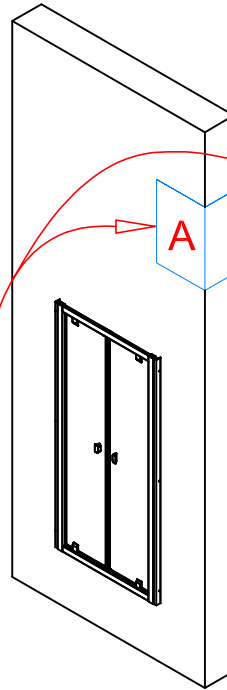
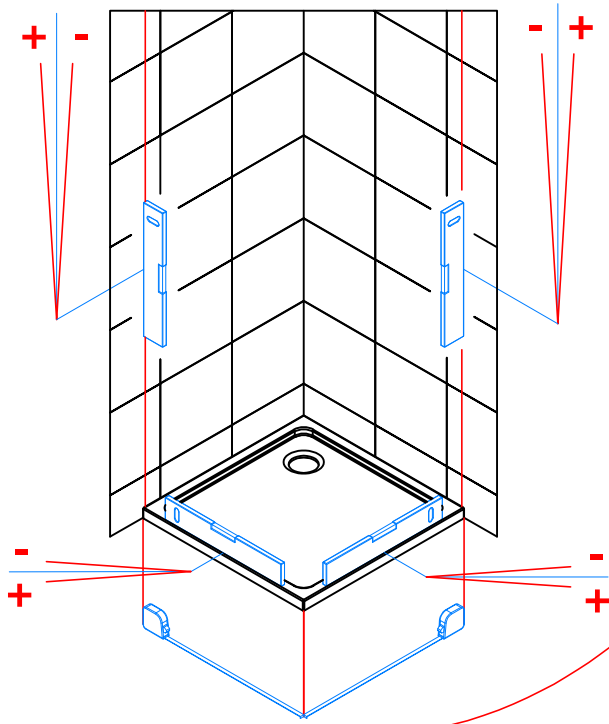




FITTING PACK	6 x 81253 6 x 81254.XX	6 x 14295 4.2x32mm 	6 x 16000 ø 6mm 	2 x 14196 3.5x13mm
	2 x 81125.XX 	2 x 81121.XX 	4 x 81074.XX 	4 x 81075.XX
	2 x MT0471.XX 	1 x 81467.XX 	2 x 14003 3.5 X 9.5 mm 	1 x 11221
			1 x 17156 5 mm 	



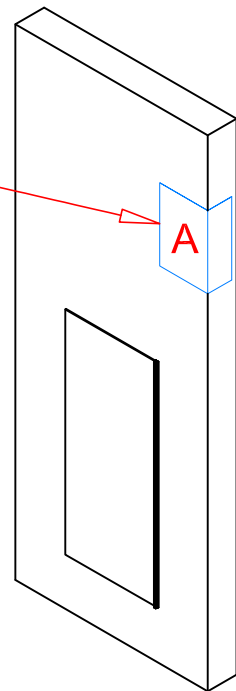
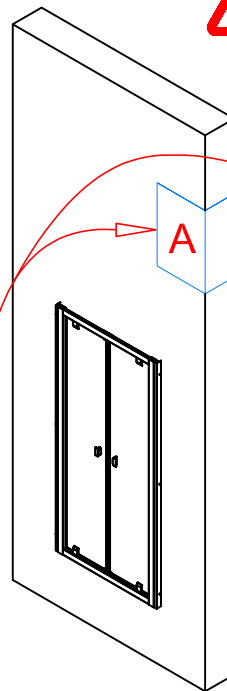
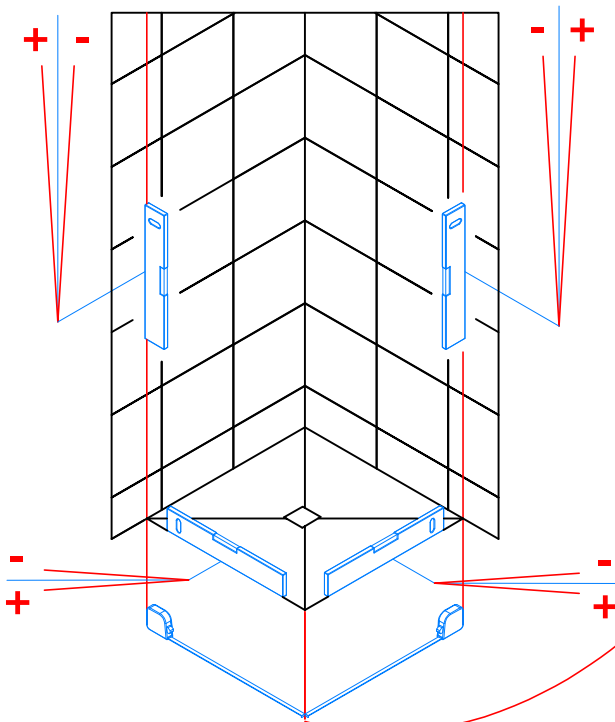
1 x 81122.XX 	51209
1 x 81123.XX 	1 x 81124.XX



A	
STD	SM
-20 ; +10	-10 ; +20

A	
STD	SM
-20 ; +5	-10 ; +15

9.

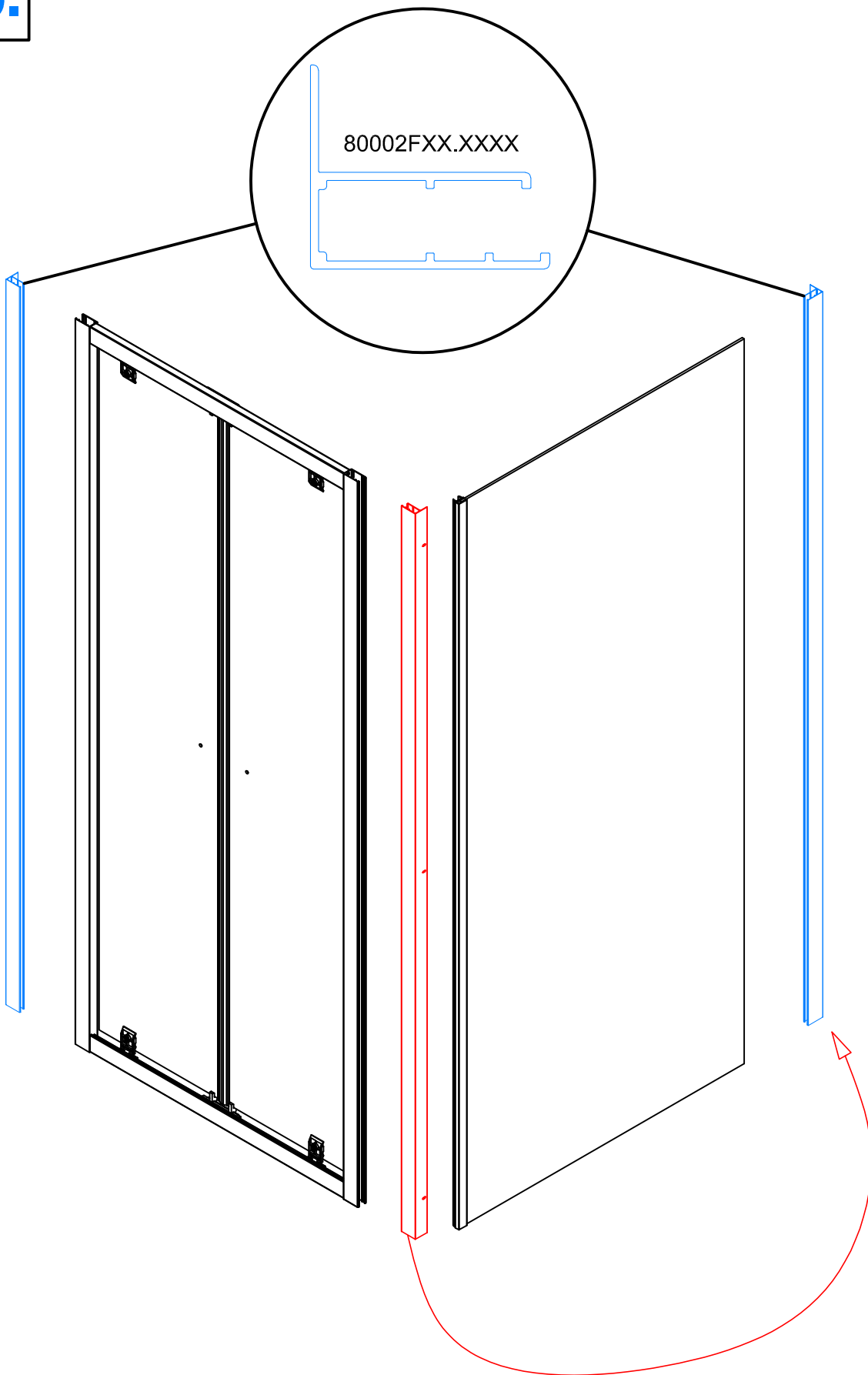


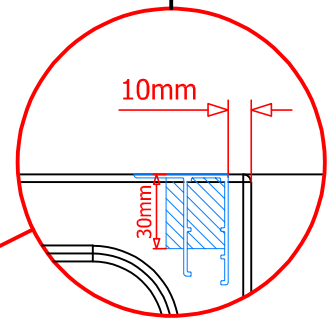
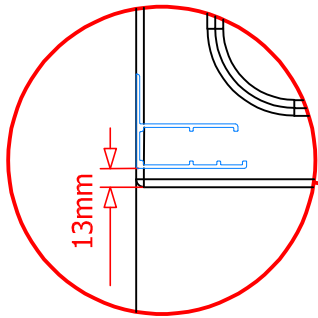
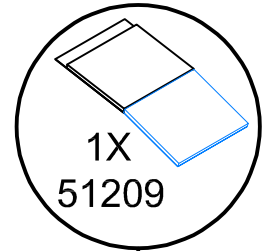
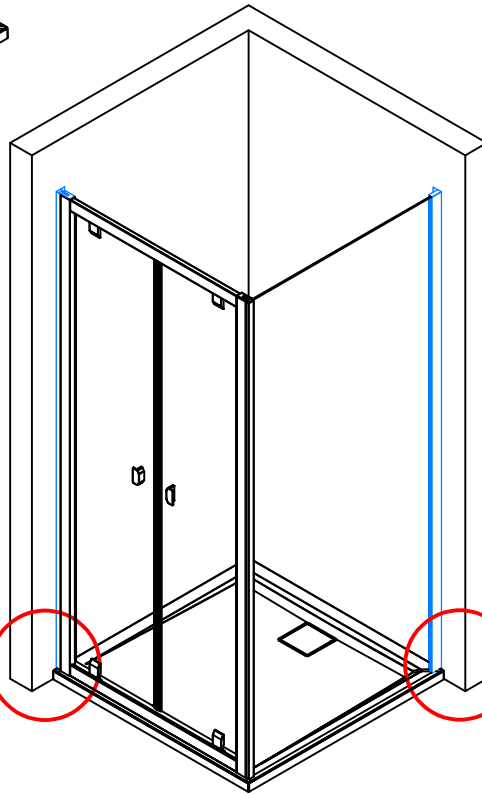
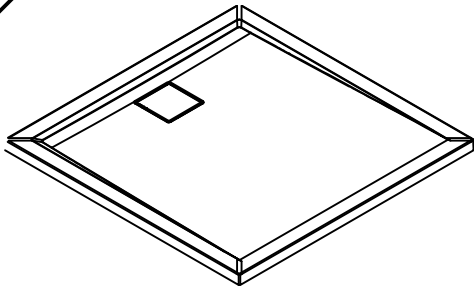
A	
STD	SM
-36 ; -6	-10 ; +20

A	
STD	SM
-42 ; -17	-10 ; +15

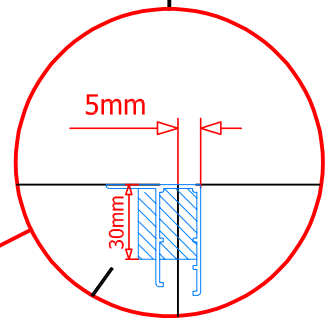
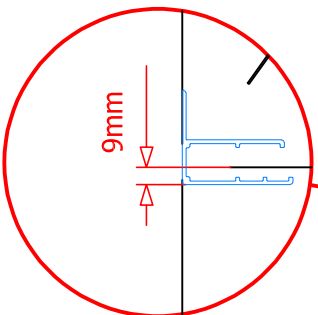
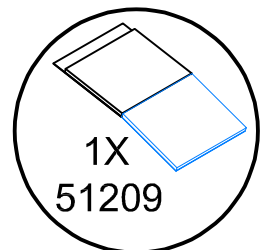
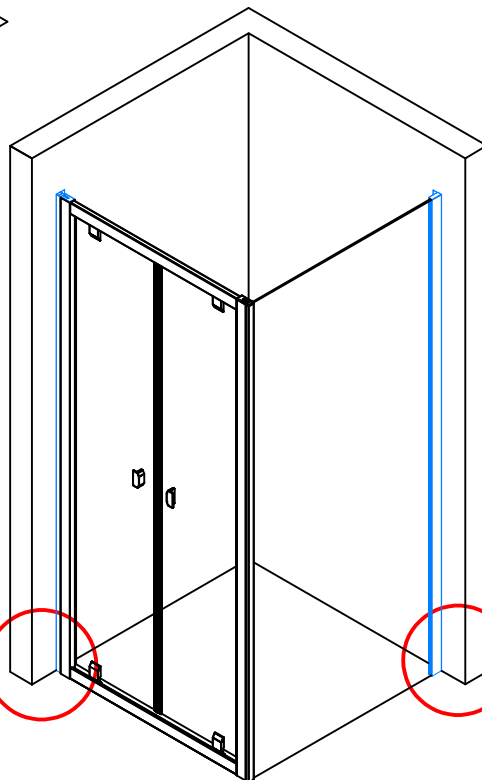
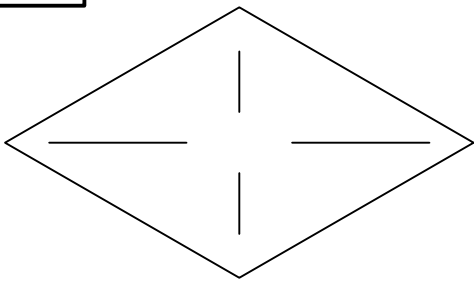
10.

80002FXX.XXXX

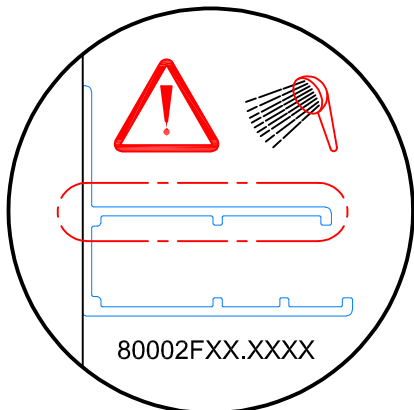
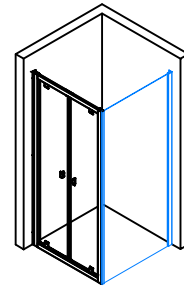




11.

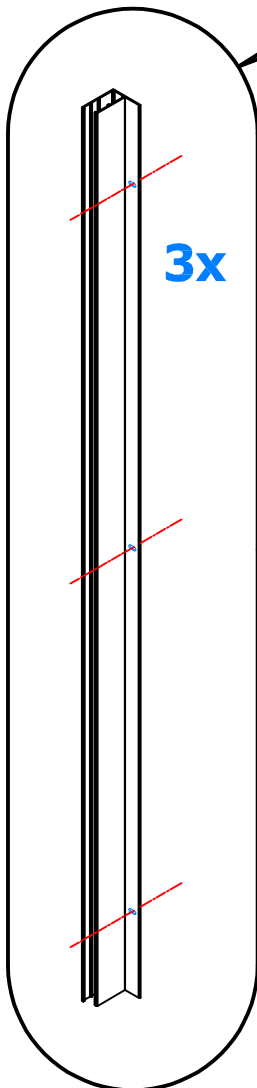
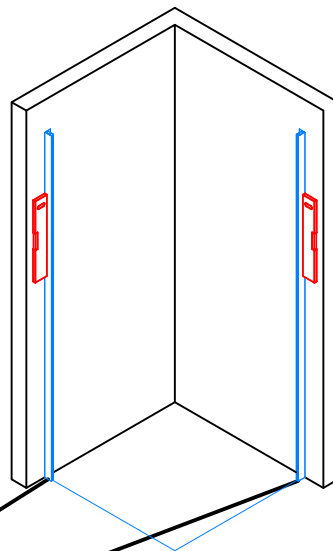


12.1 → 12.3

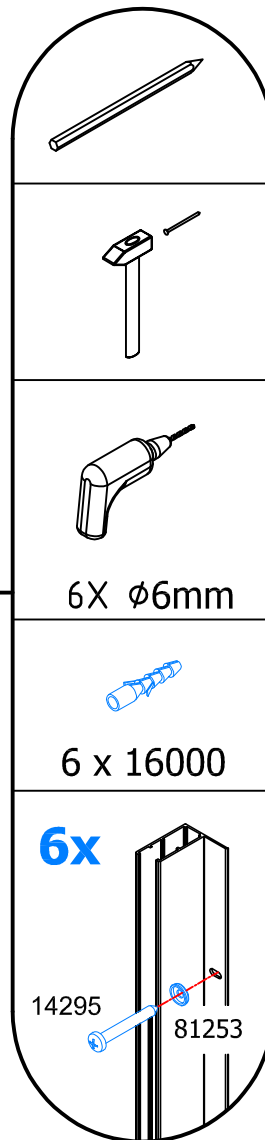


12.1

12.2



12.3

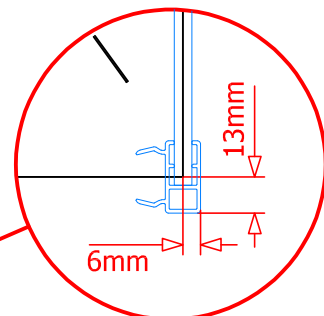
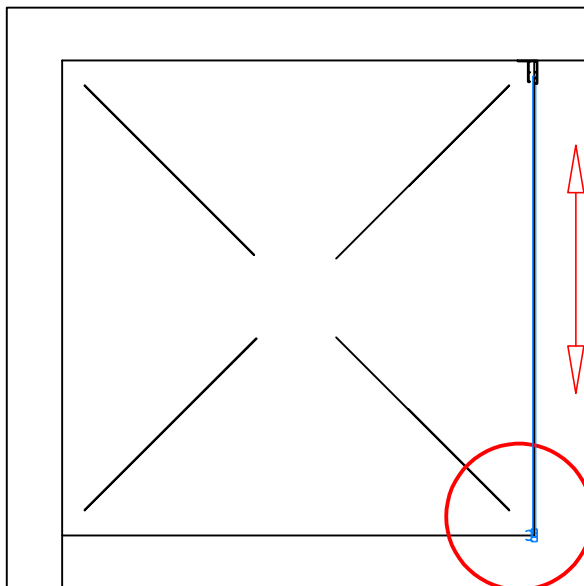
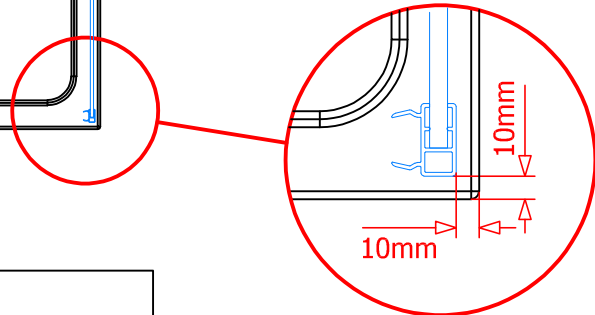
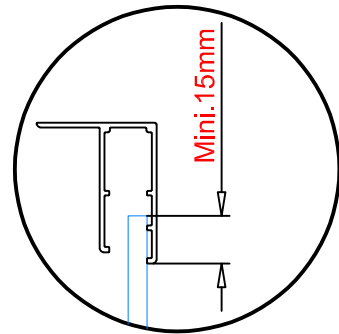
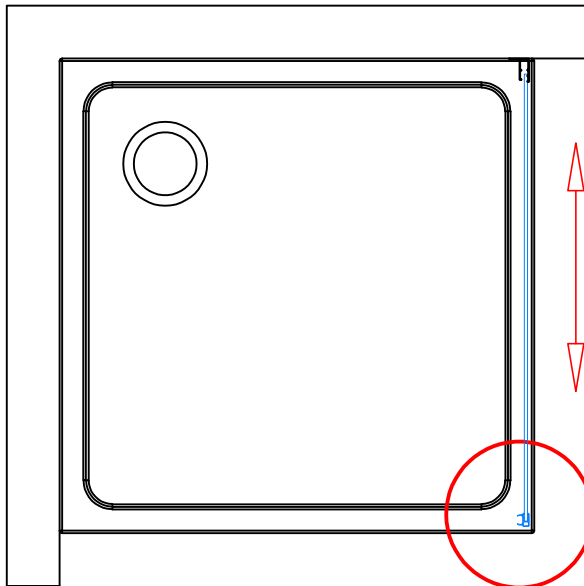
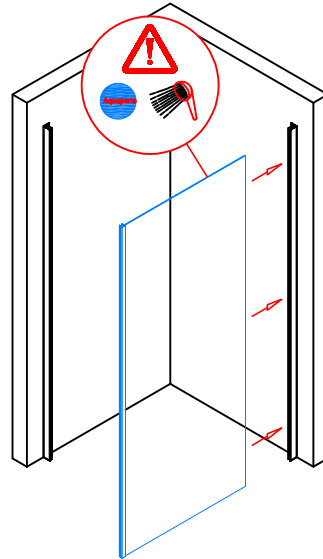
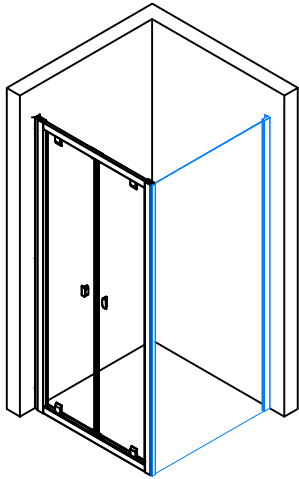


6x

14295

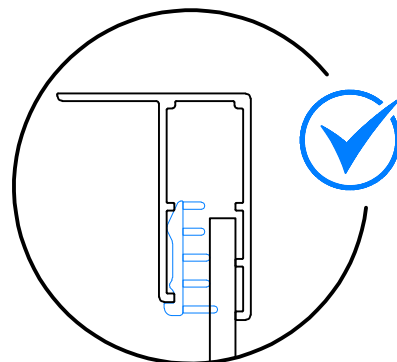
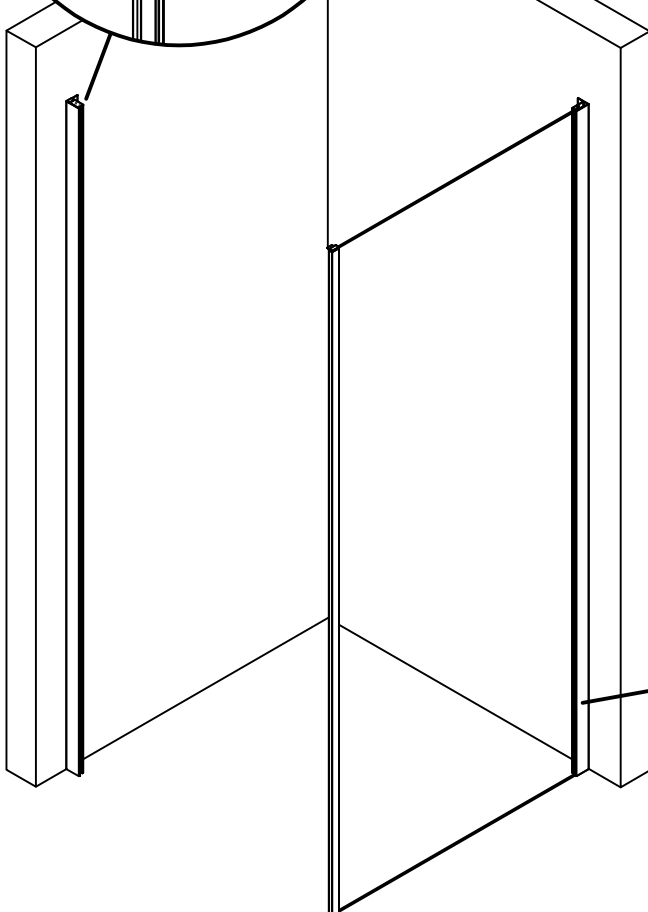
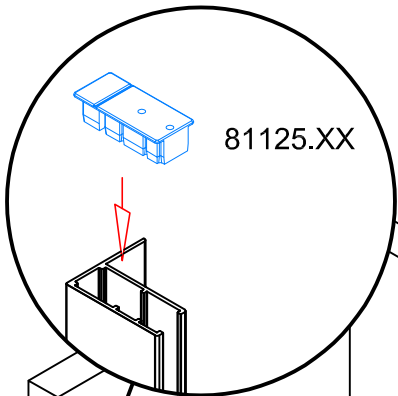
81253

13.

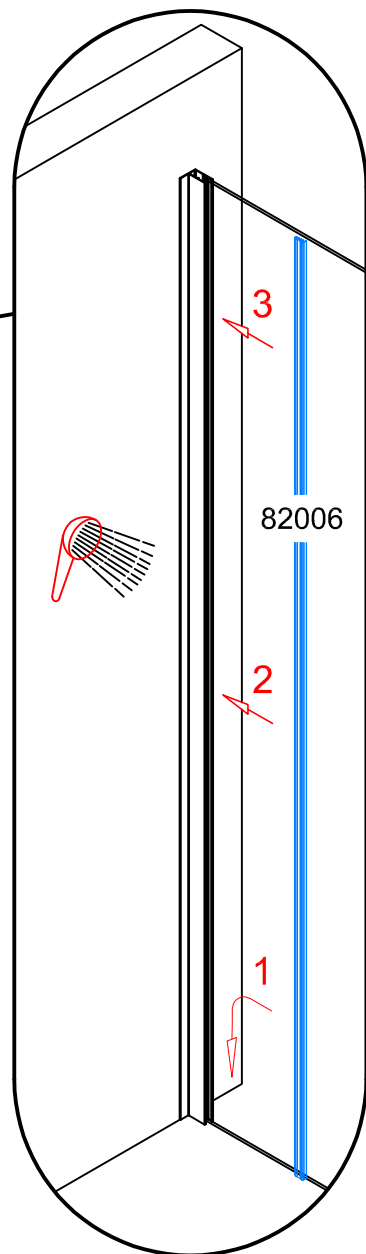


14.1 → 14.3

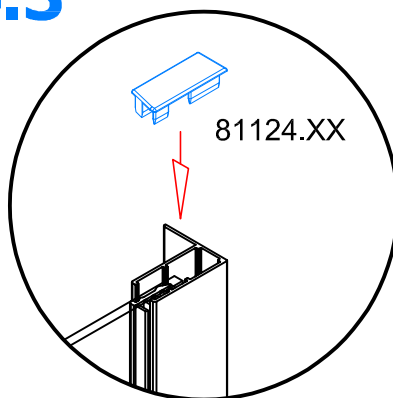
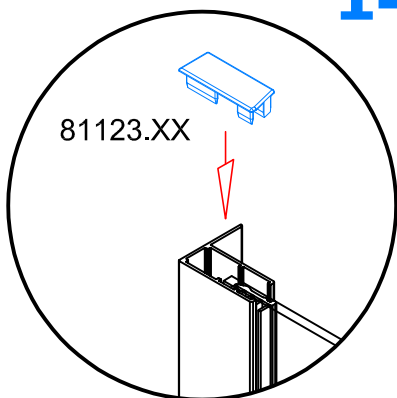
14.1



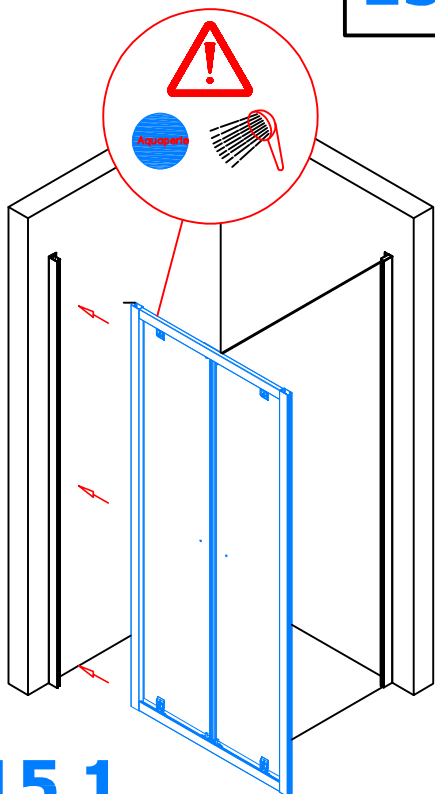
14.2



14.3

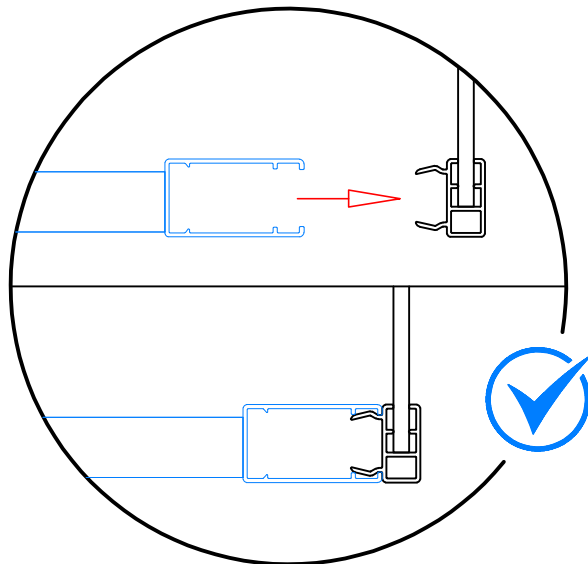


15.1 → 15.2

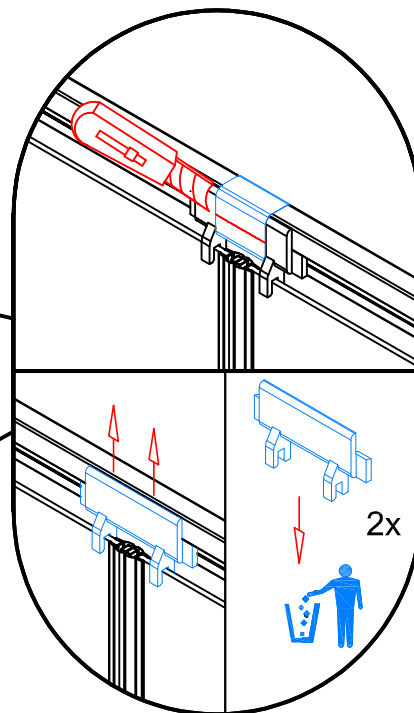
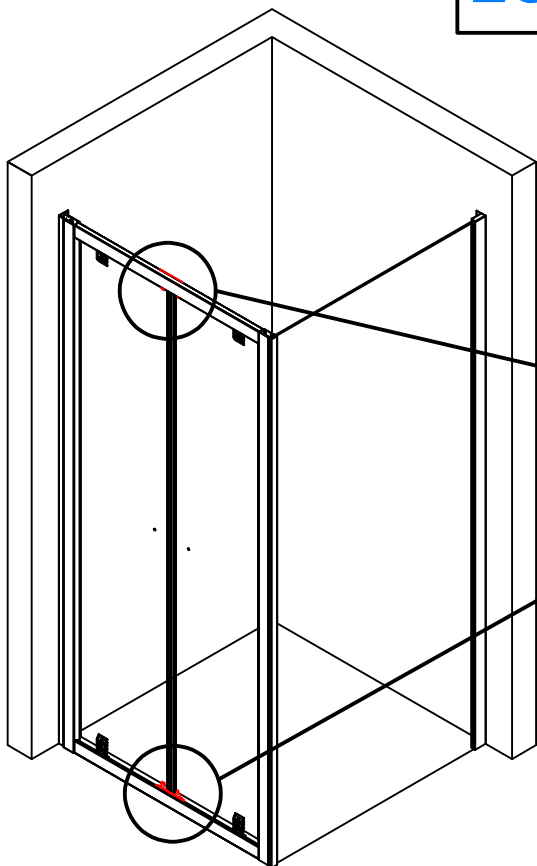


15.1

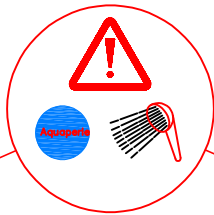
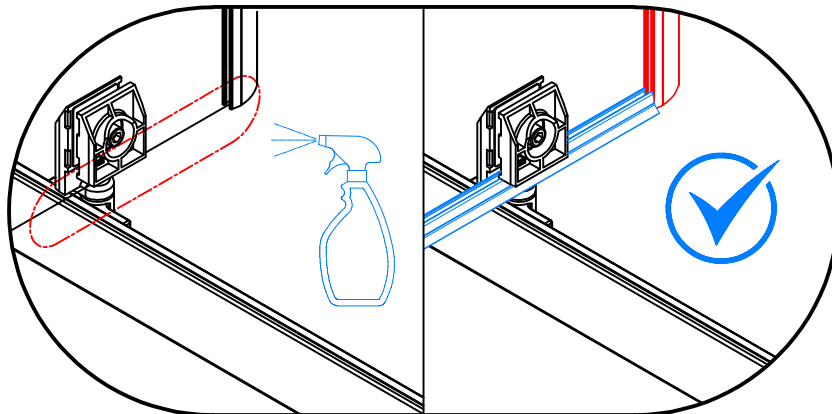
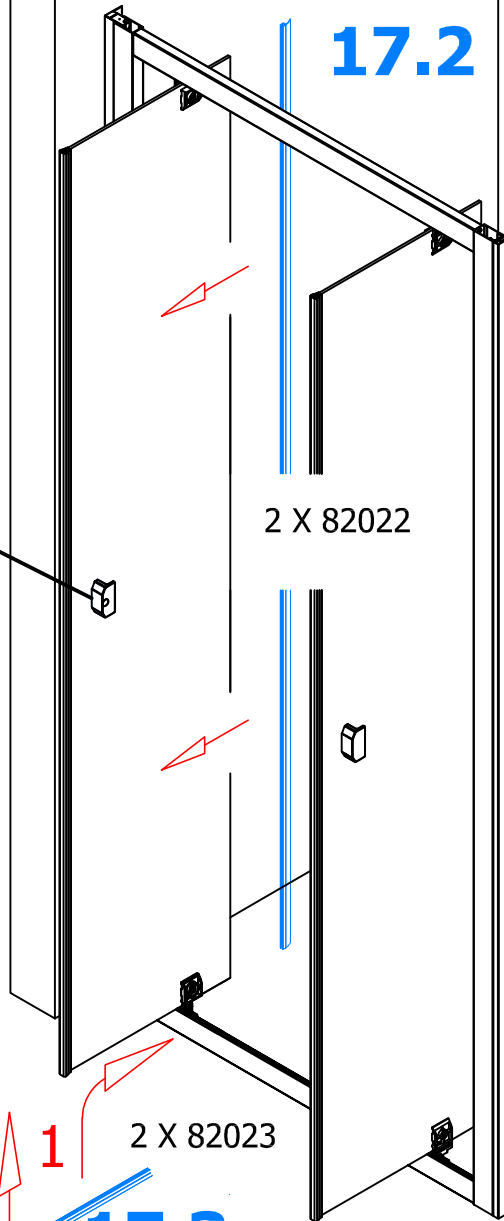
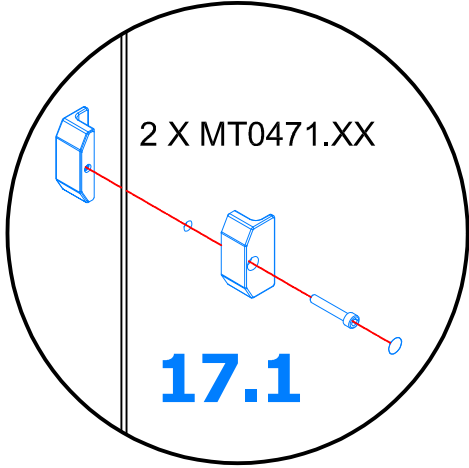
15.2



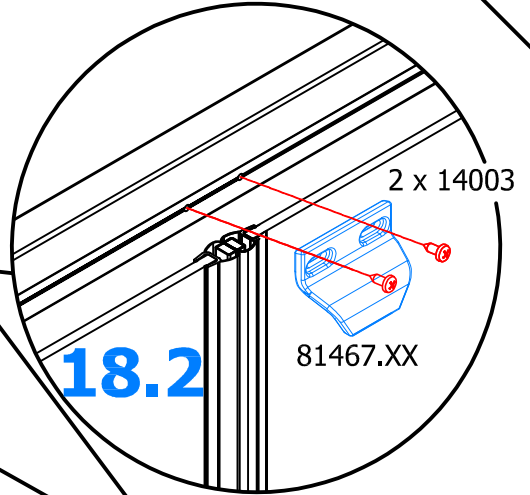
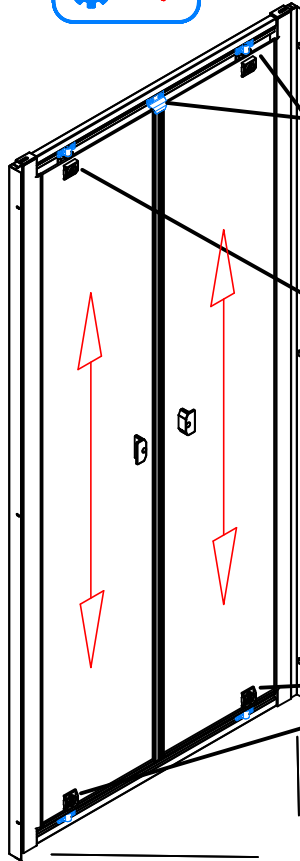
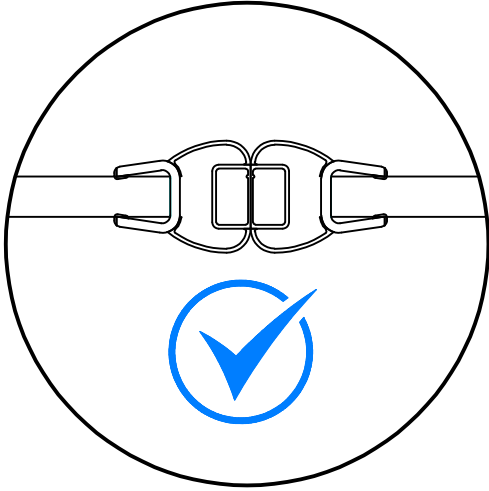
16.



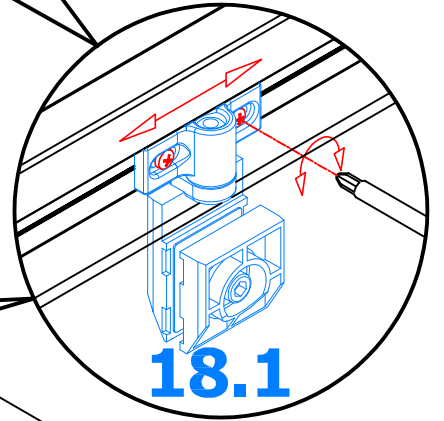
17.1 → 17.3



18.1 → 18.2

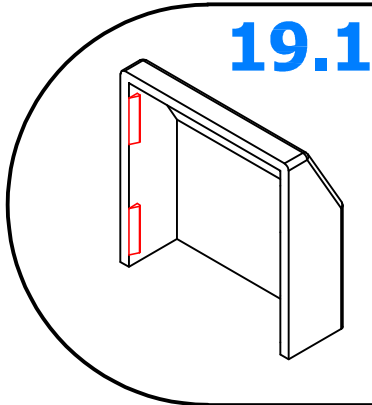


18.2

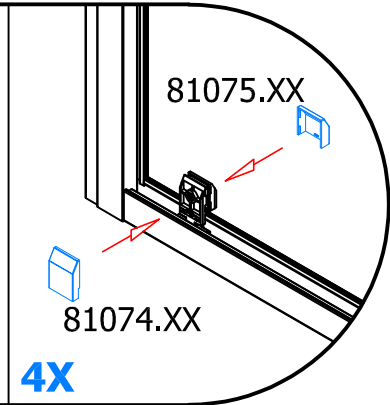


18.1

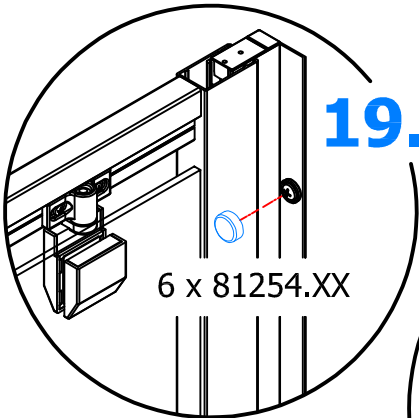
19.1 → 19.4



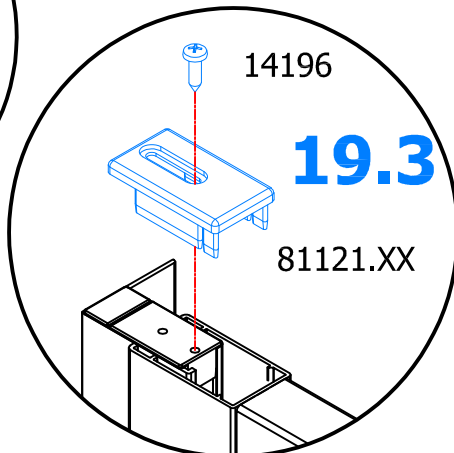
19.1



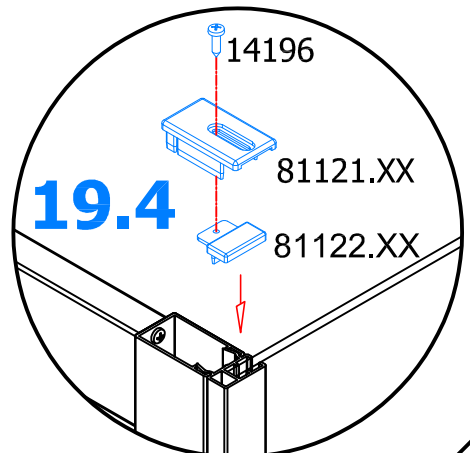
4X



19.2

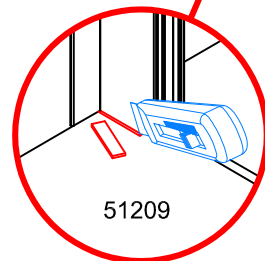
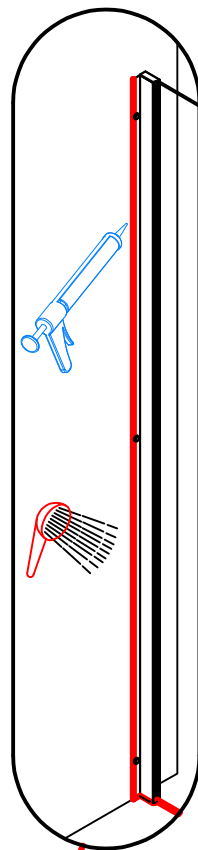
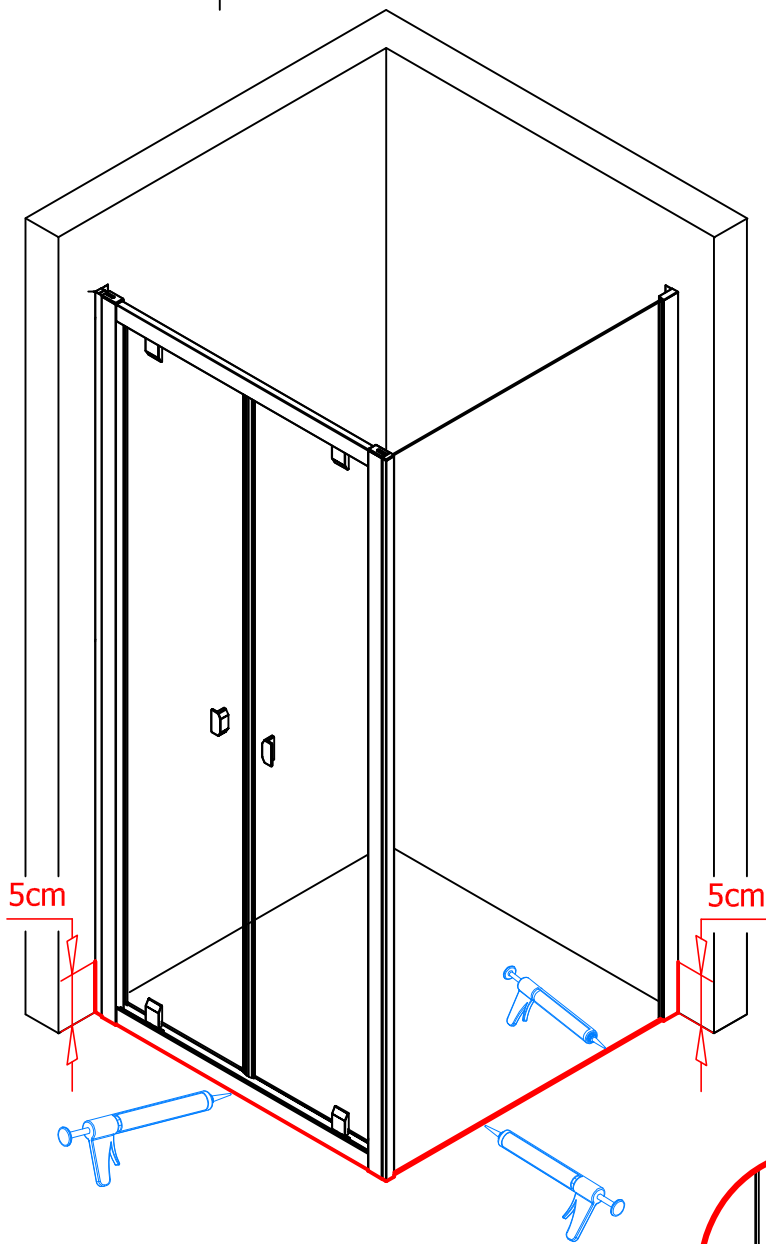
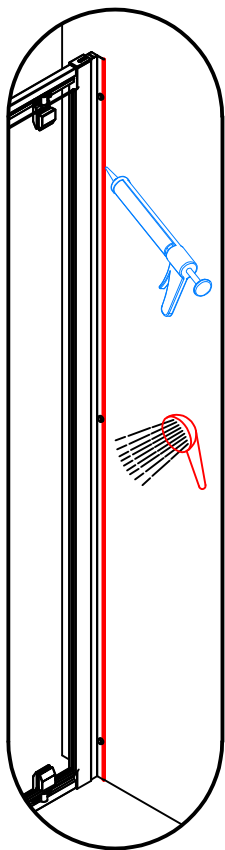
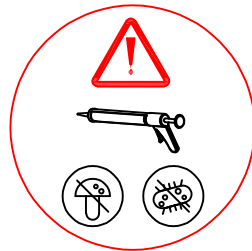
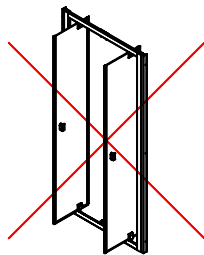
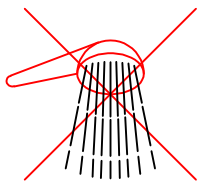


19.3

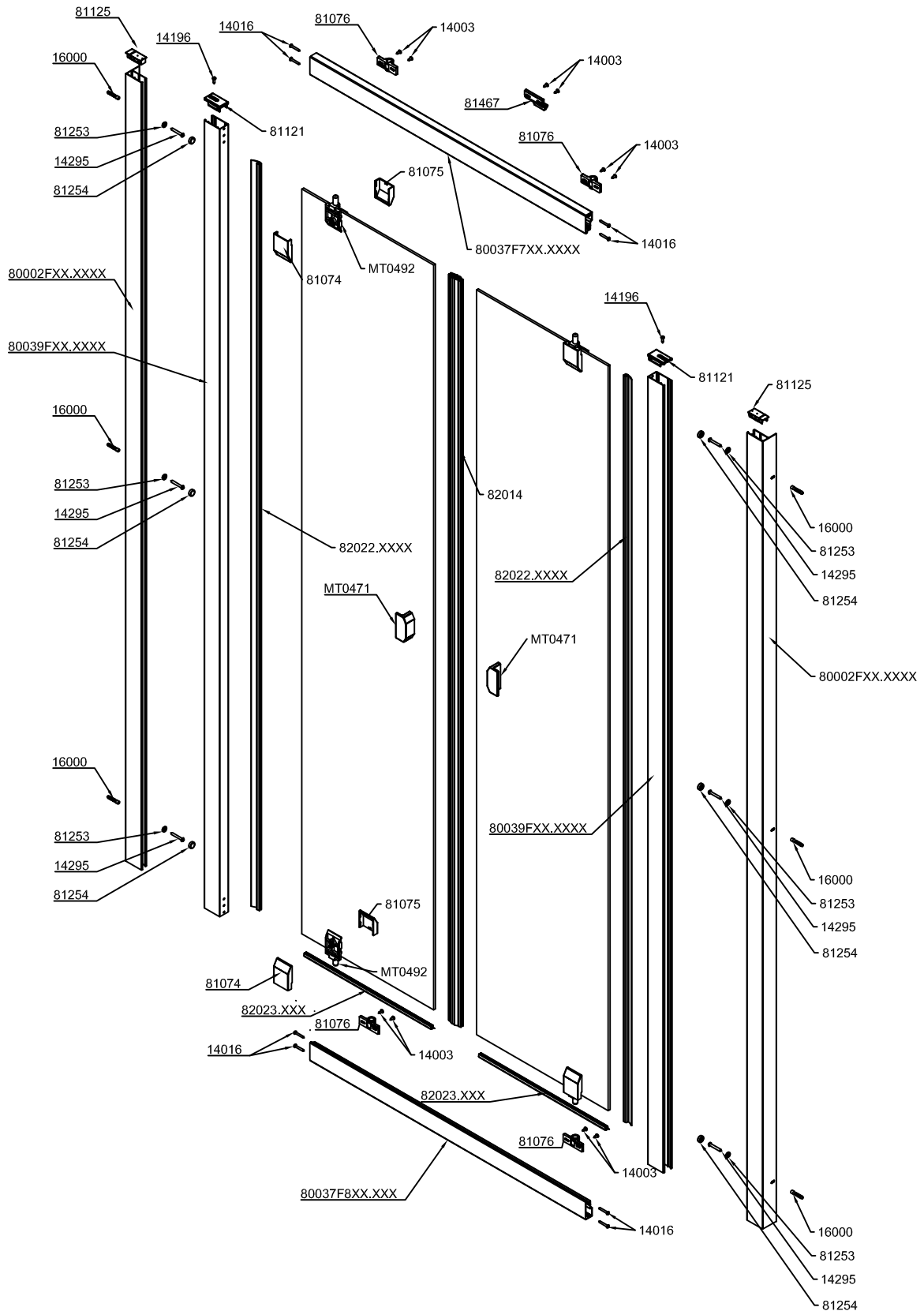


19.4

20.

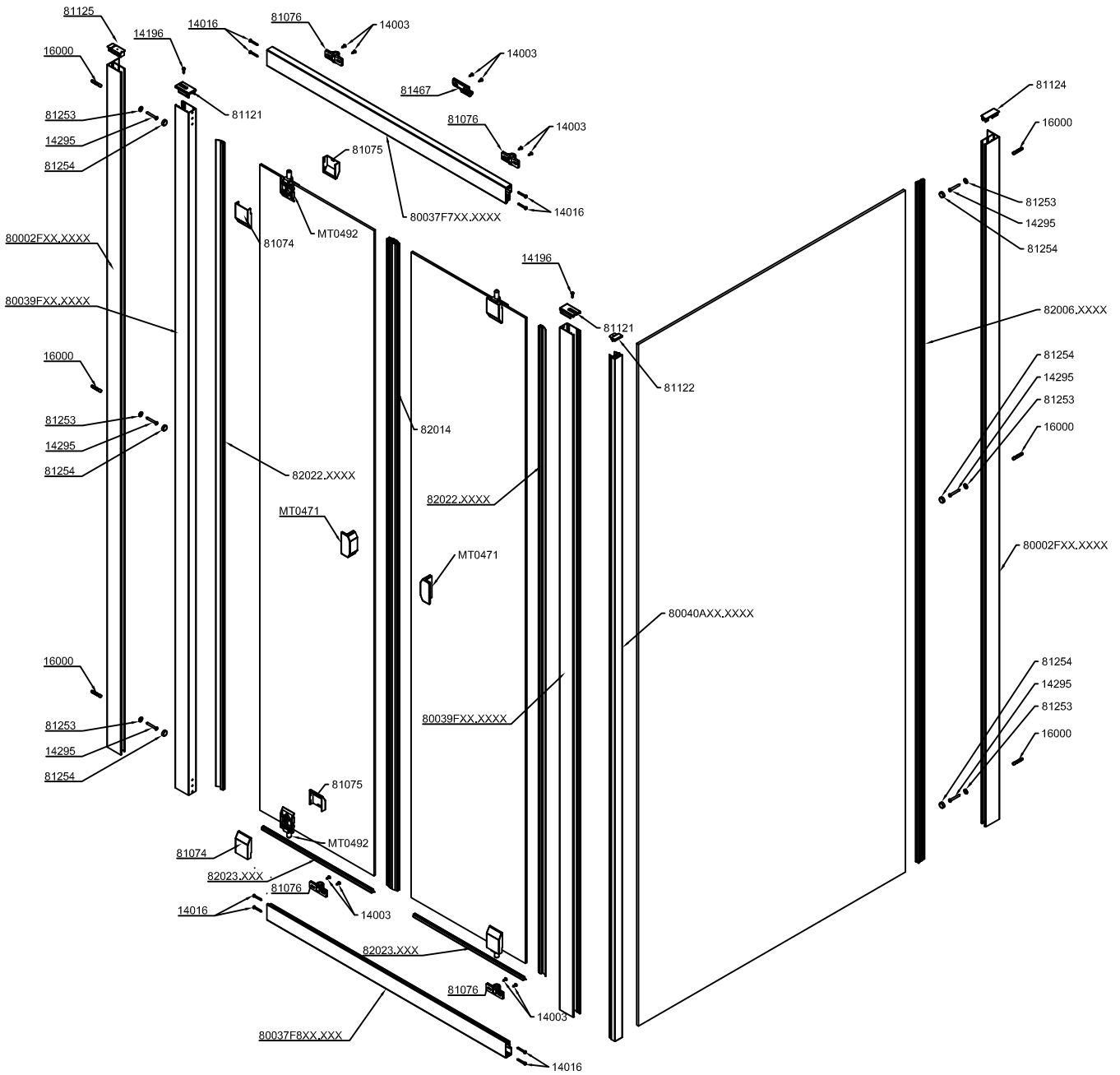


D20T2



D20T2

D20F1



D20T2

D20F1

