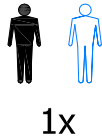
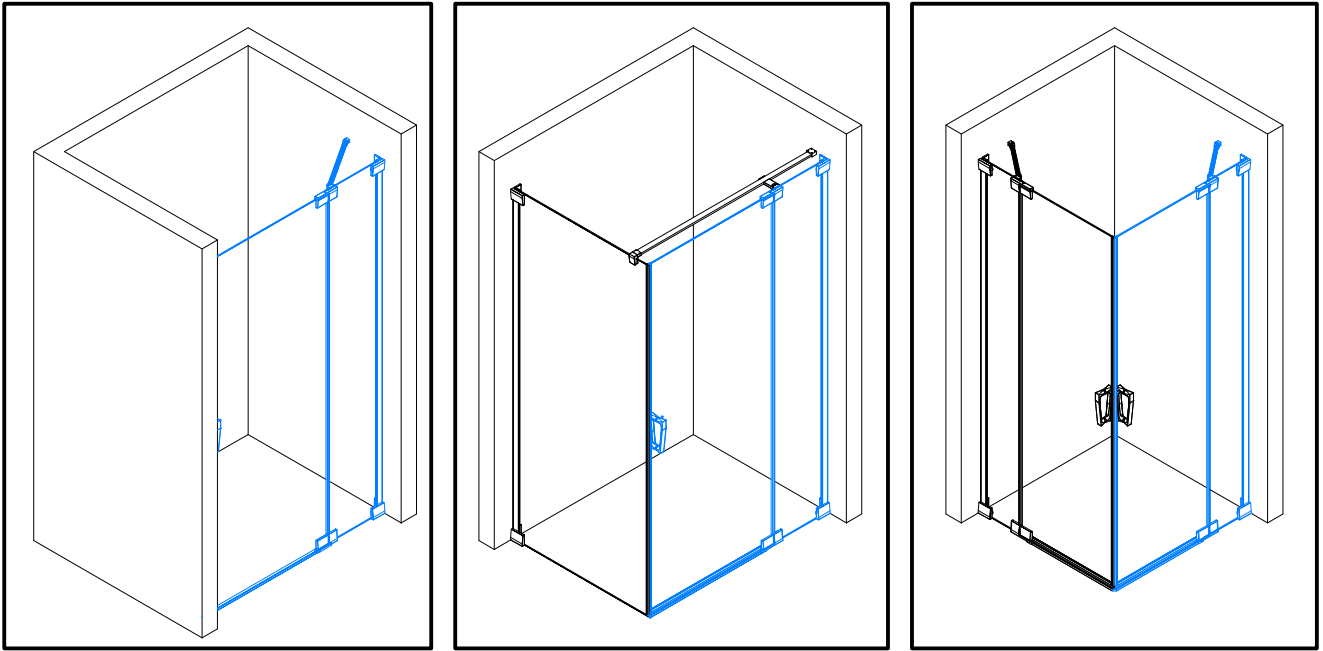
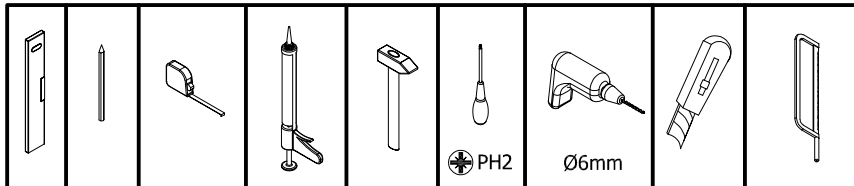


19615

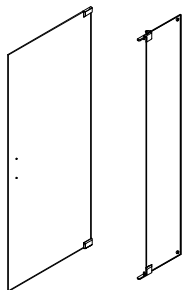


1x



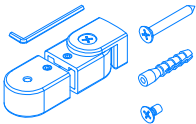
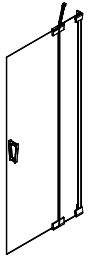



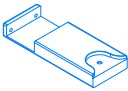


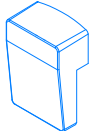


PH2

Ø6mm

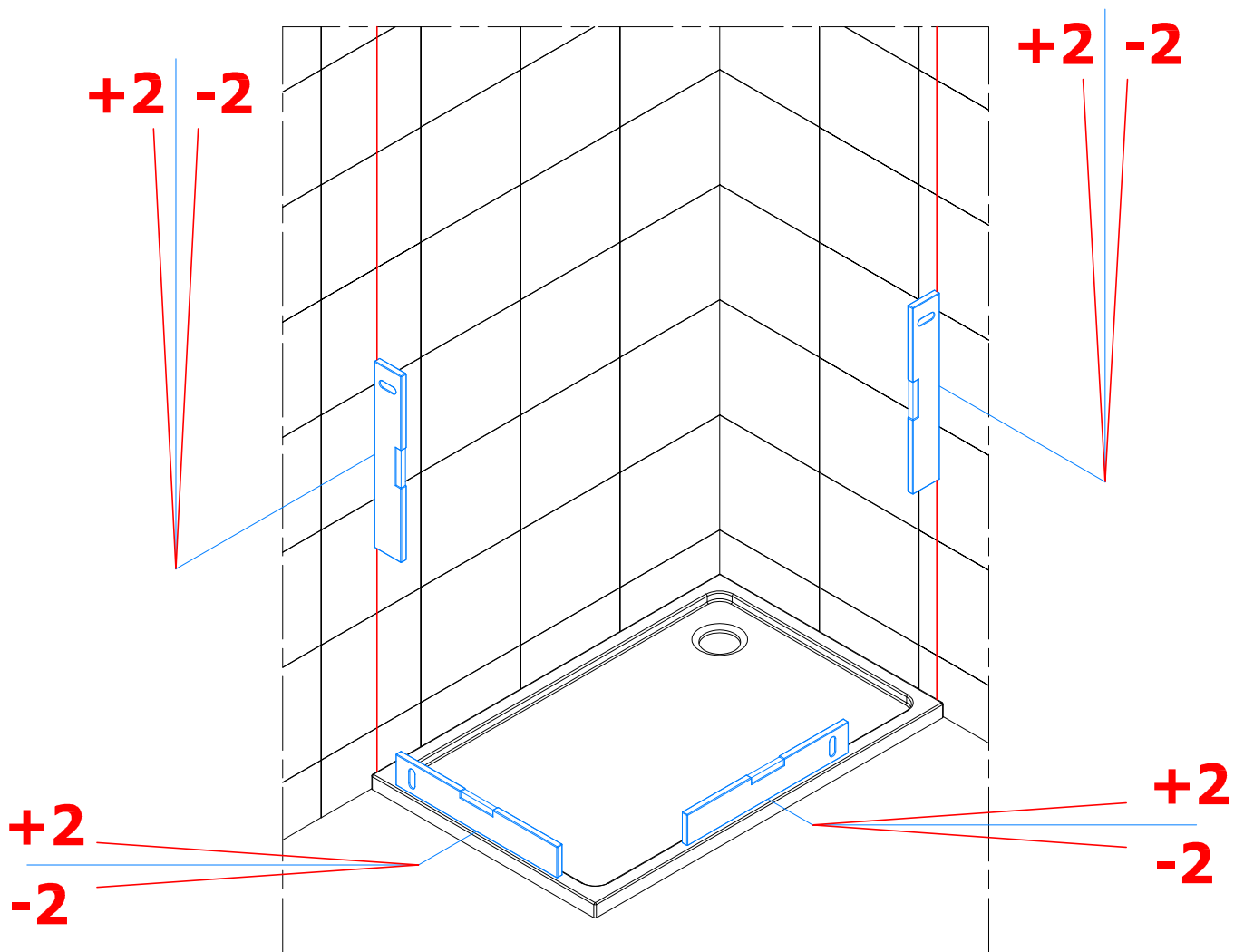


50015E1XX 2000 	50504.XX.XXX 	52203U. 1000.F 	42352TR. 1967 	52105. 2000 	MT0382.XX 	
						1 x 50302. XX.1000

 1 x 11221	 2 x 14001 4.2X38mm	 1 X MT0381.XX	SM.CA.XX	
	 3 x 16000 ϕ 6mm	 17156 - 5mm		
	 4 X 54164.XX	 MT0416.XX	 51253.XX	 51254.XX
			 51576.XX	

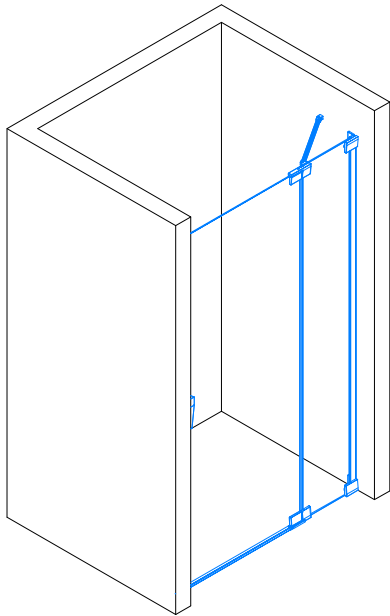


MAX ±2mm/800mm

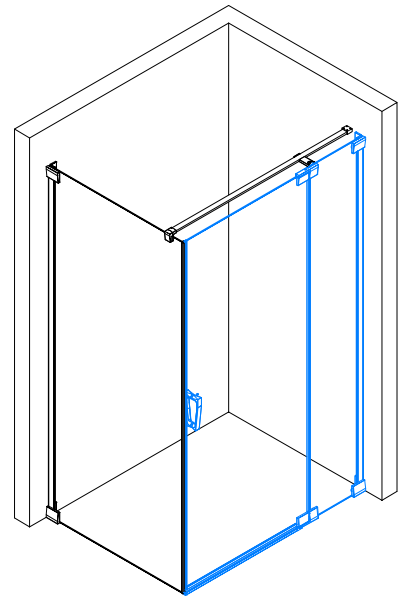




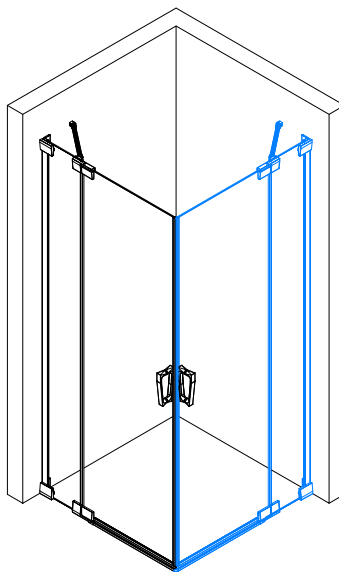
→ p.4 - p.17



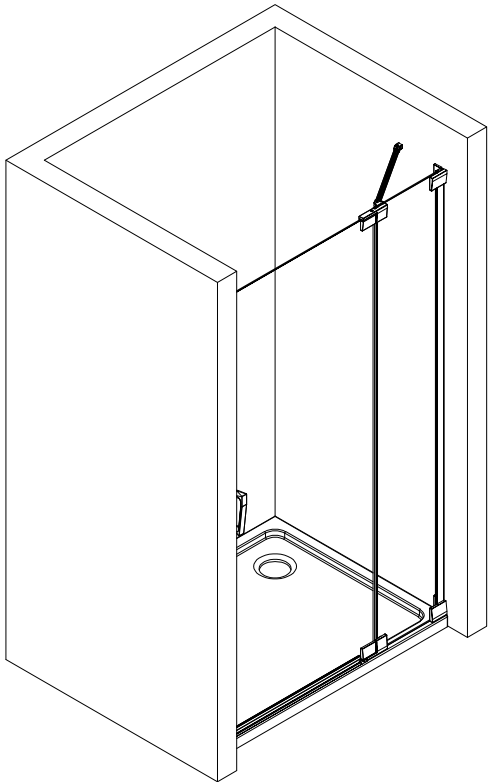
→ p.18 - p.32



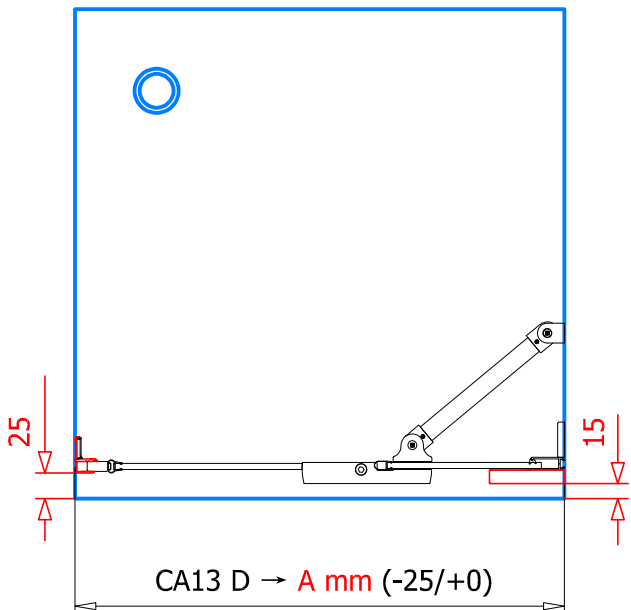
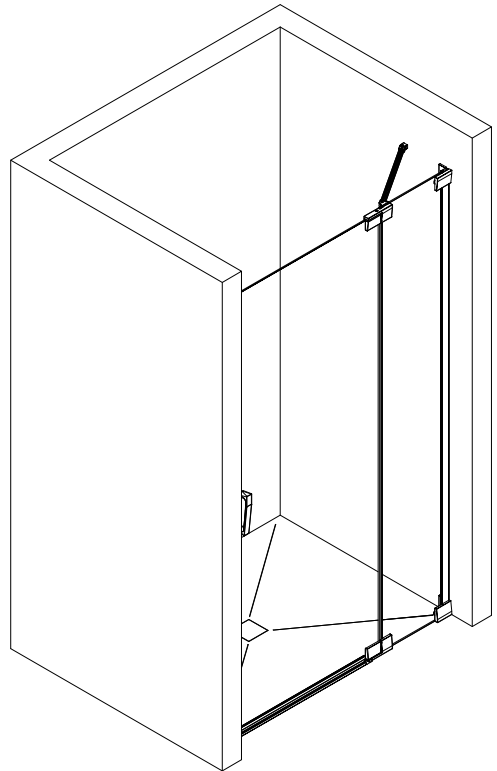
→ p.33 - p.46



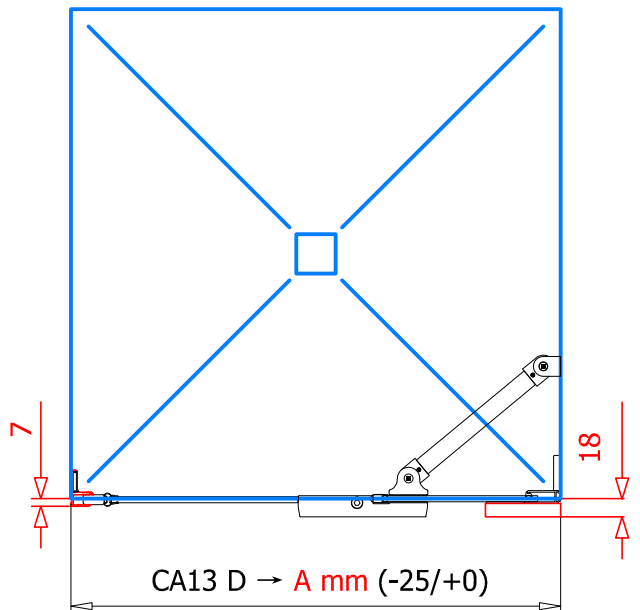
👁️ → **1.**



👁️ → **2.**

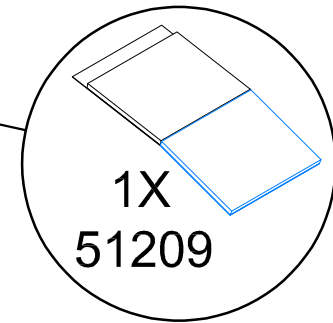
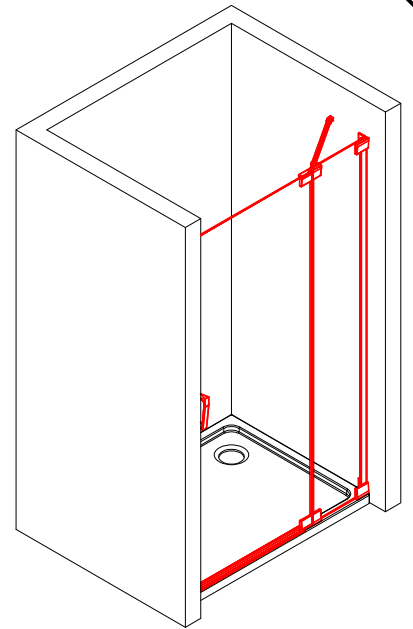
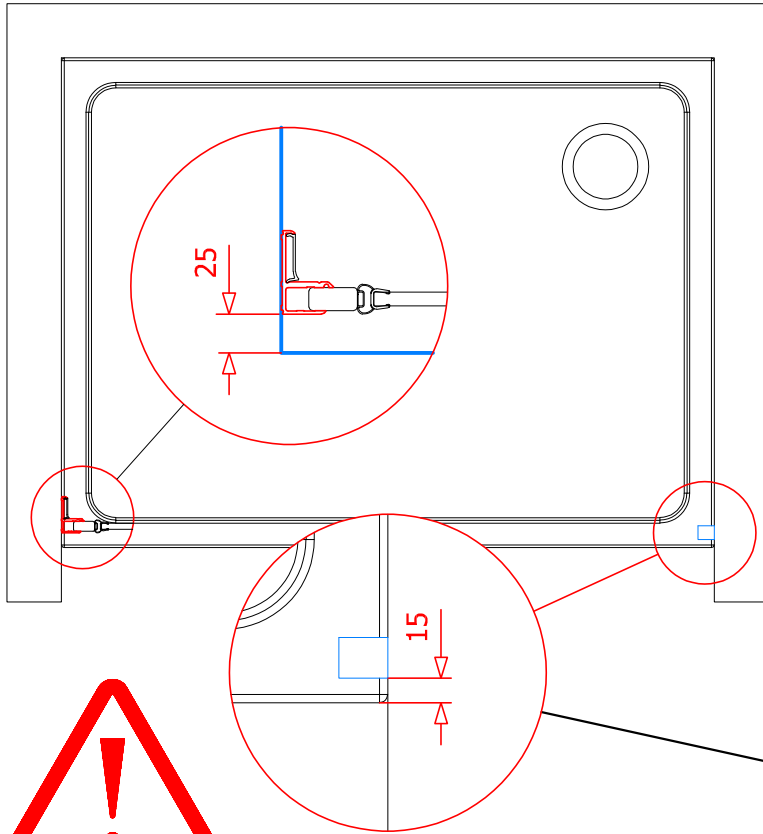


CA13 D SM → A mm (-15/+10)

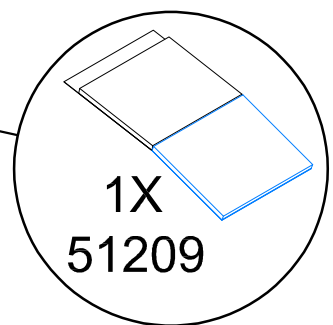
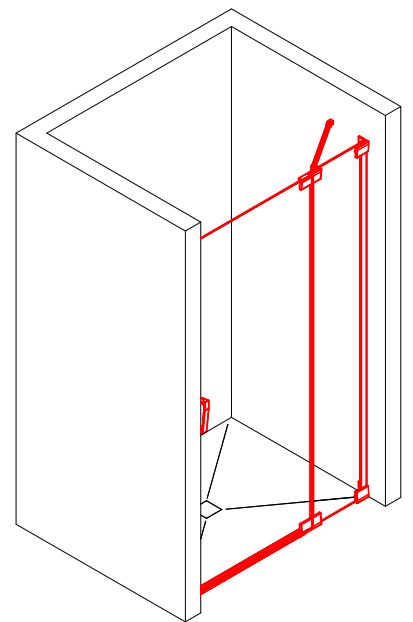
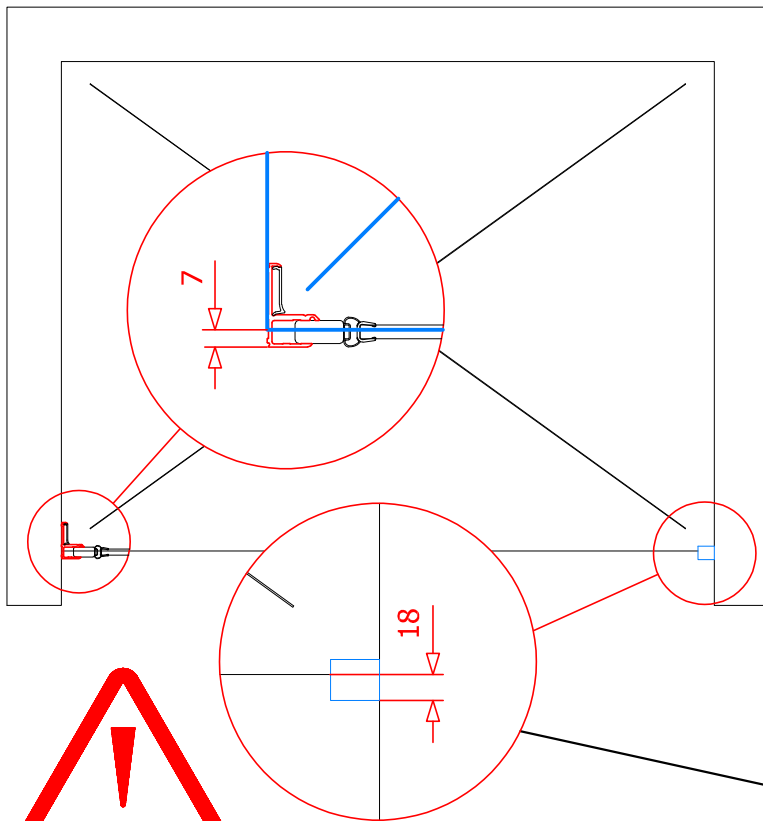


CA13 D SM → A mm (-15/+10)

1.

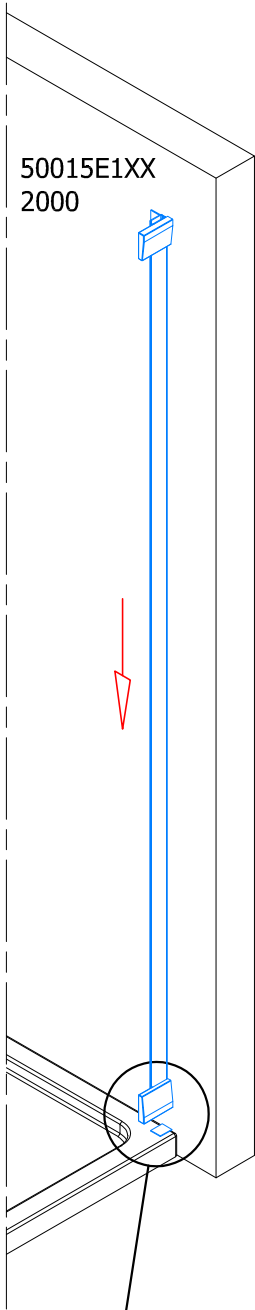


2.

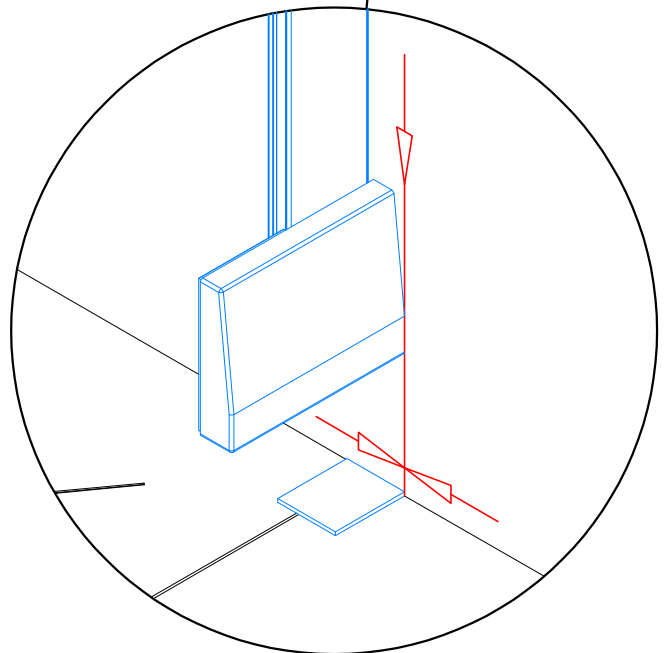
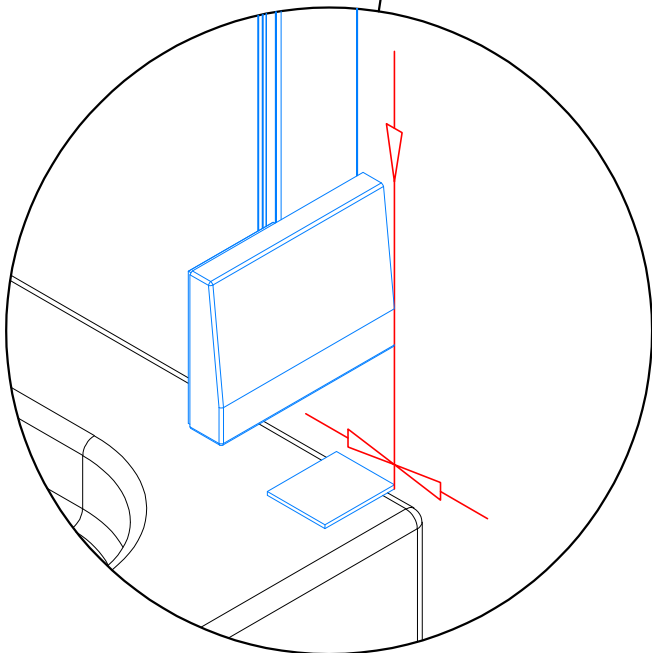
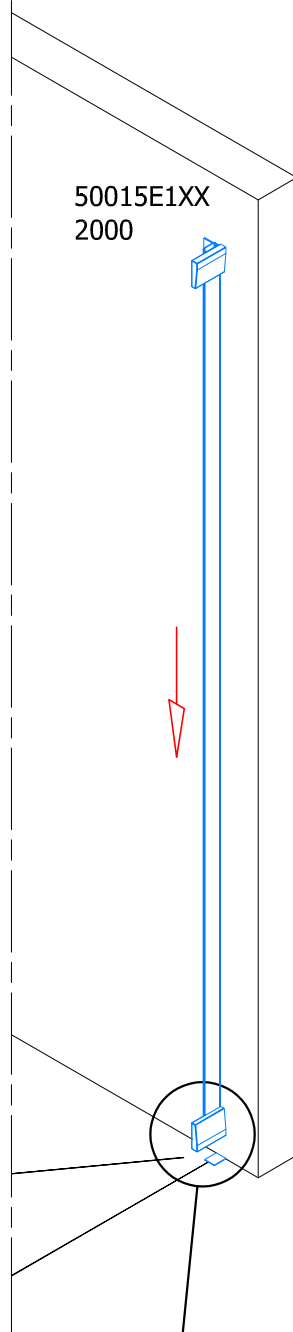


3.

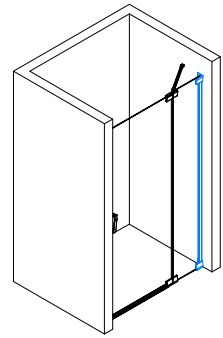
50015E1XX
2000



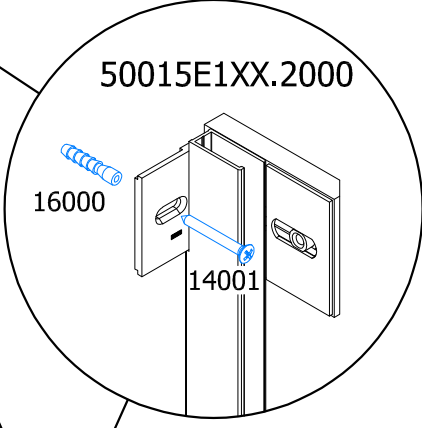
50015E1XX
2000



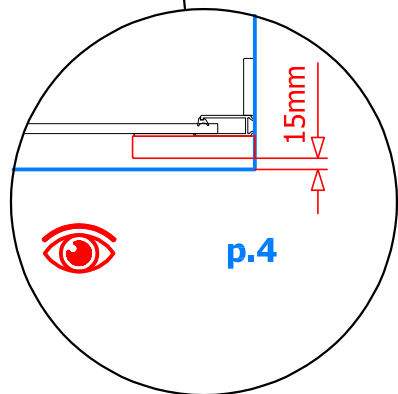
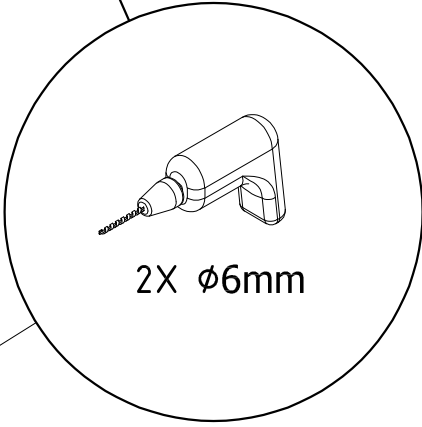
4.1 → 4.3



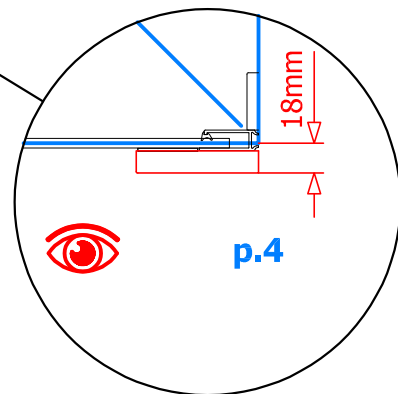
4.3



4.2

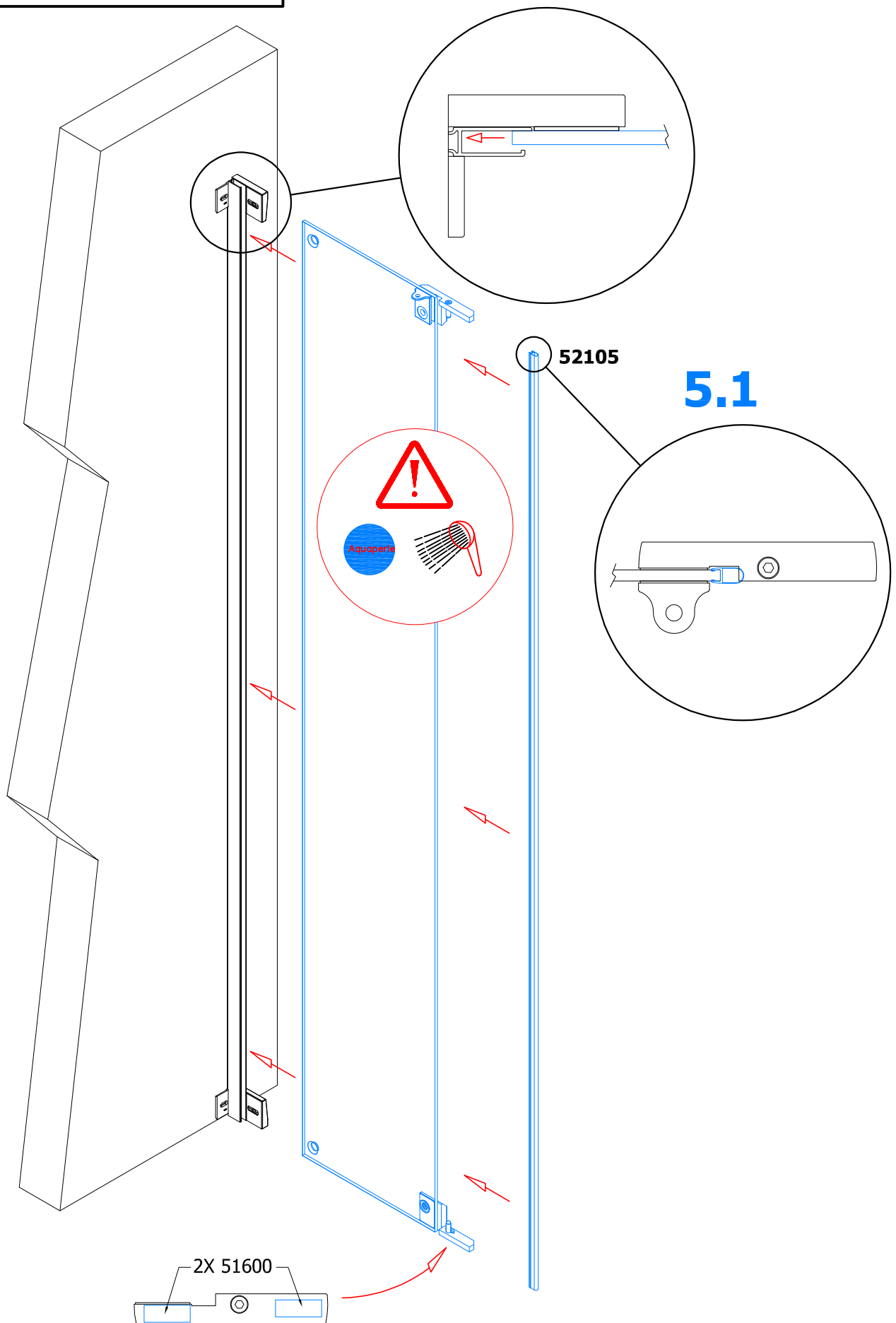


4.1



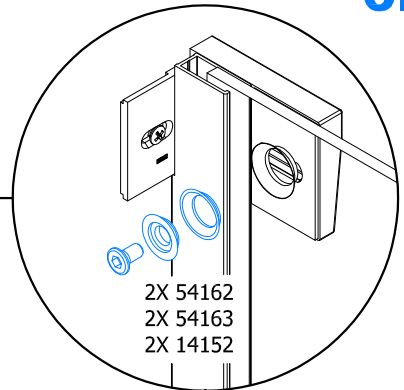
5.1 → 5.2

5.2

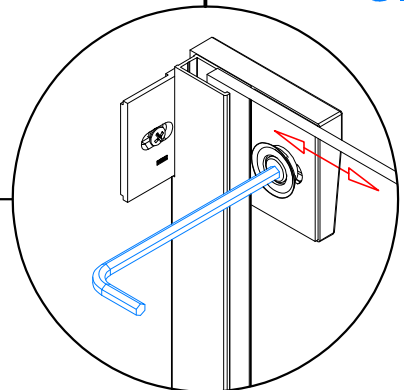


6.1 → 6.3

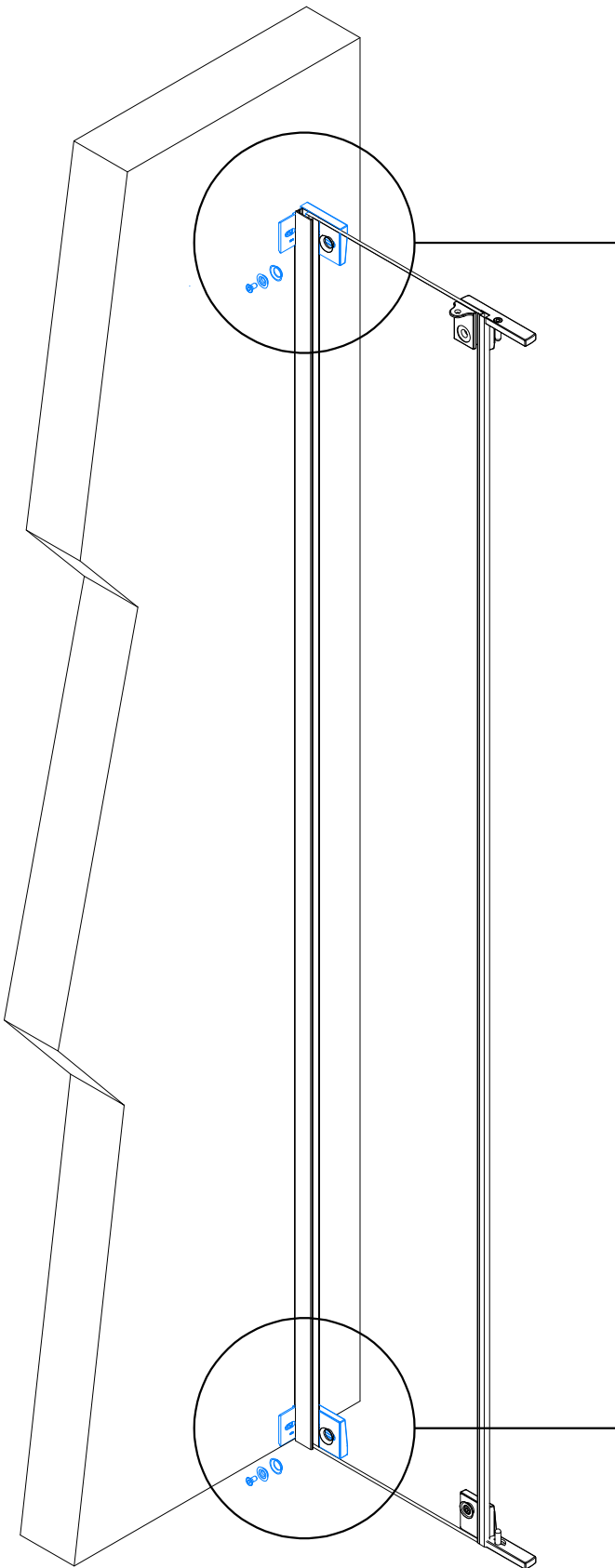
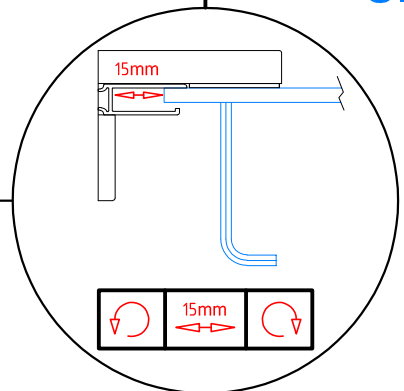
6.1



6.2

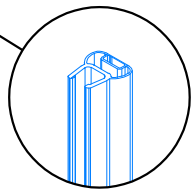
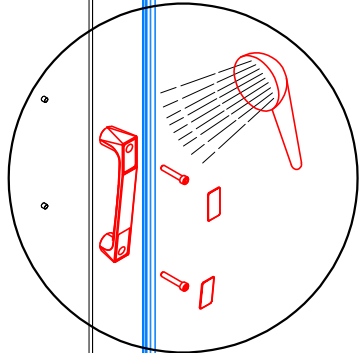
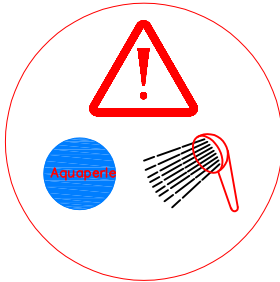
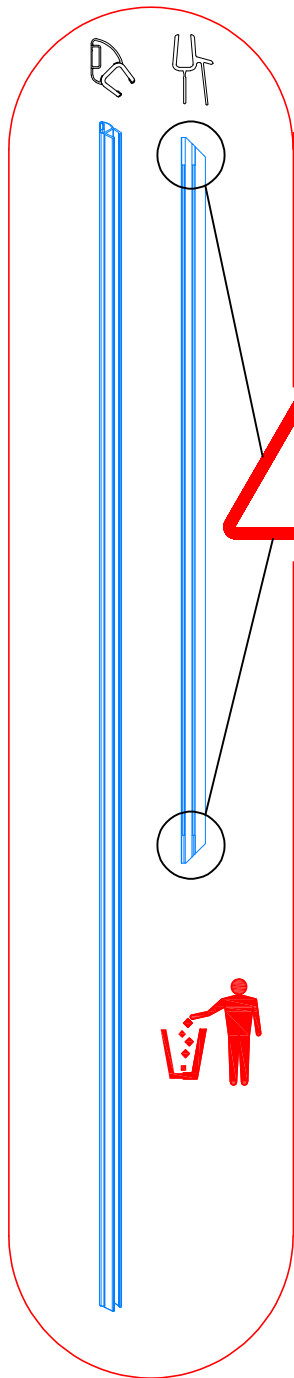
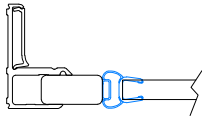
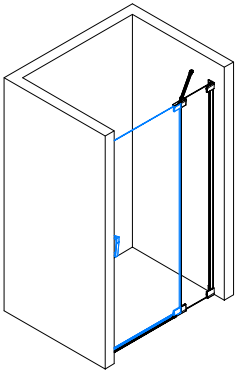


6.3





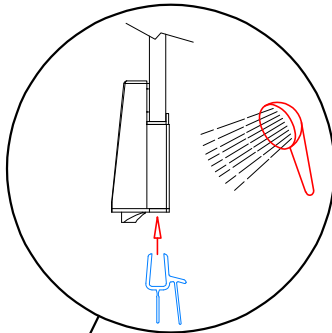
7.1 → 7.5



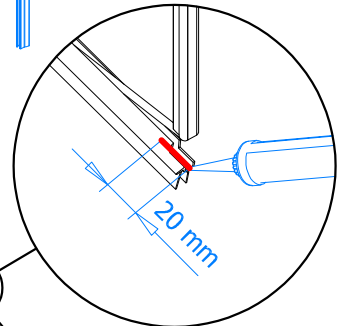
7.3

7.5

7.2



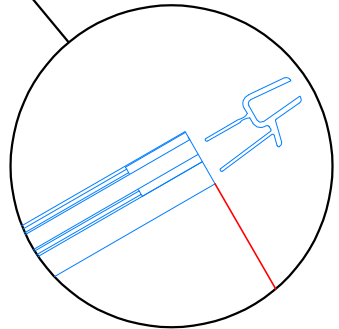
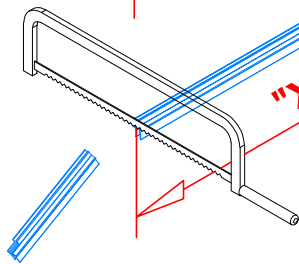
7.4



"X"

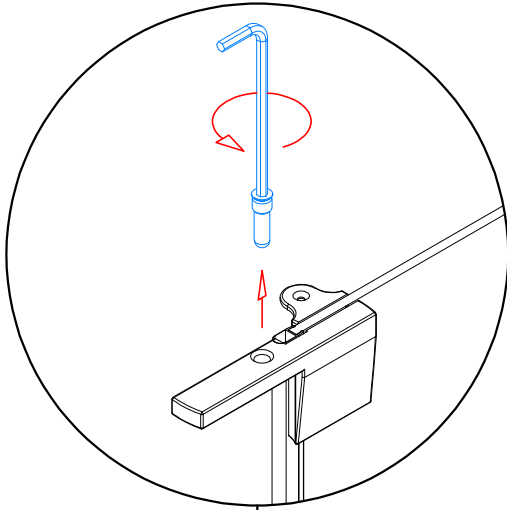
"X" + 7mm

7.1

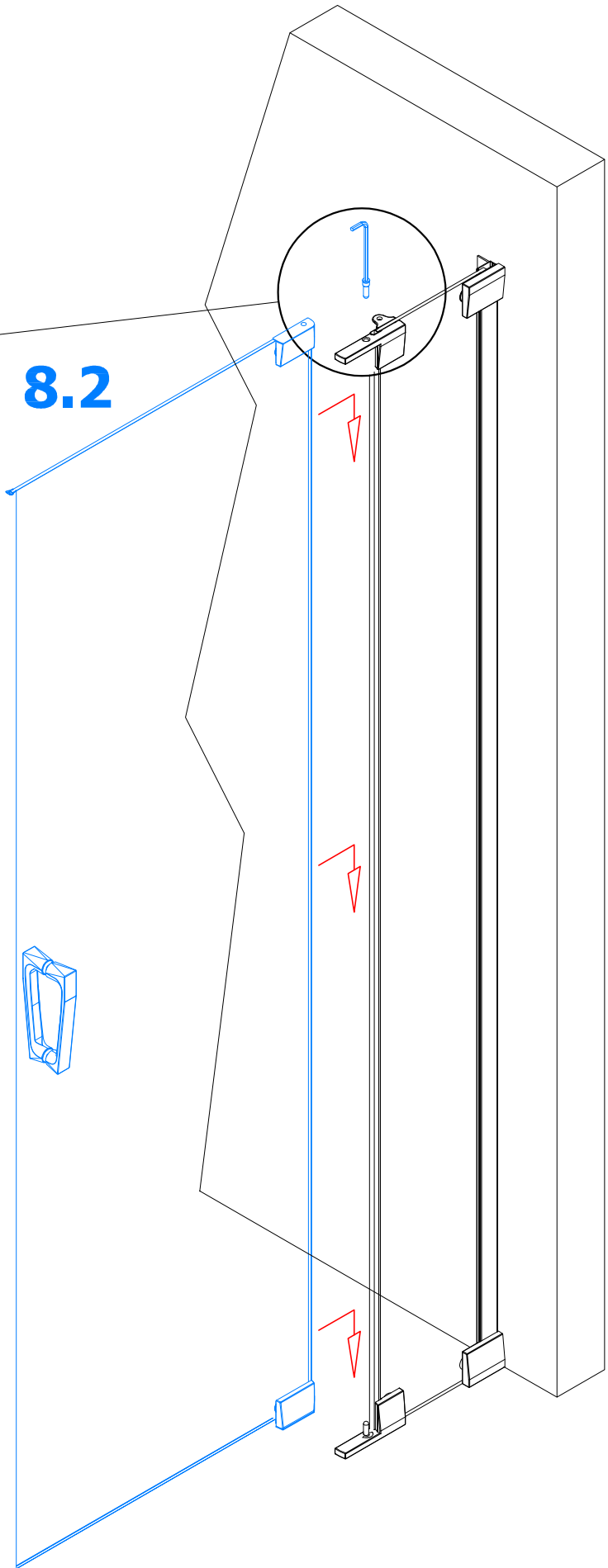


8.1 → 8.3

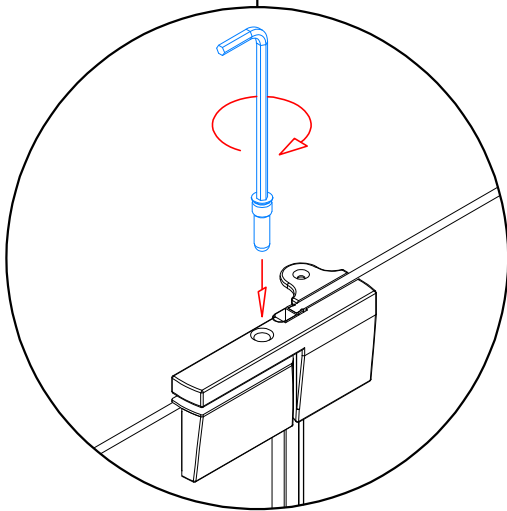
8.1



8.2

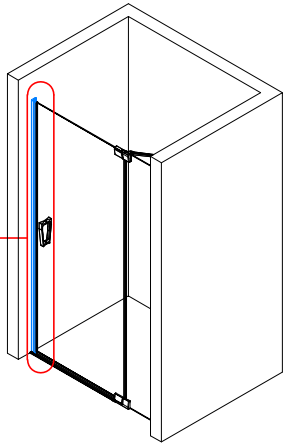
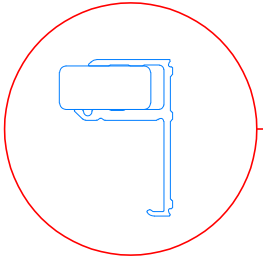


8.3

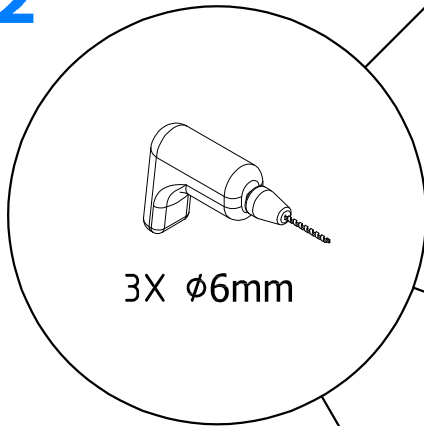


V2.CA.XX

9.1 → 9.3

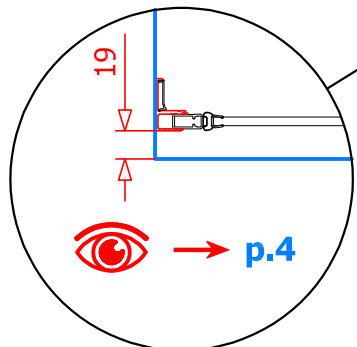
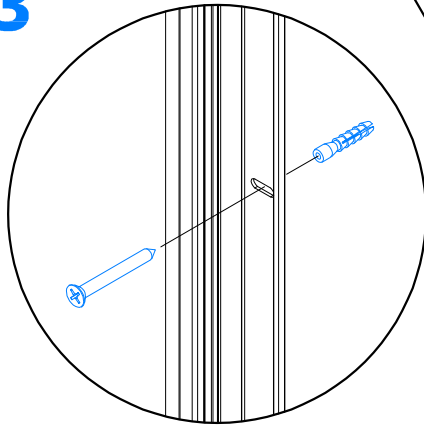


9.2



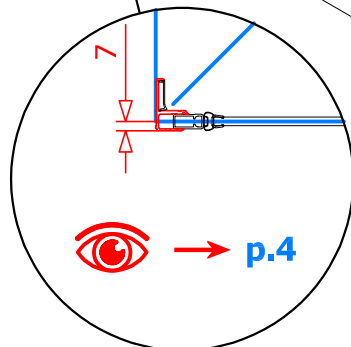
3X Ø6mm

9.3

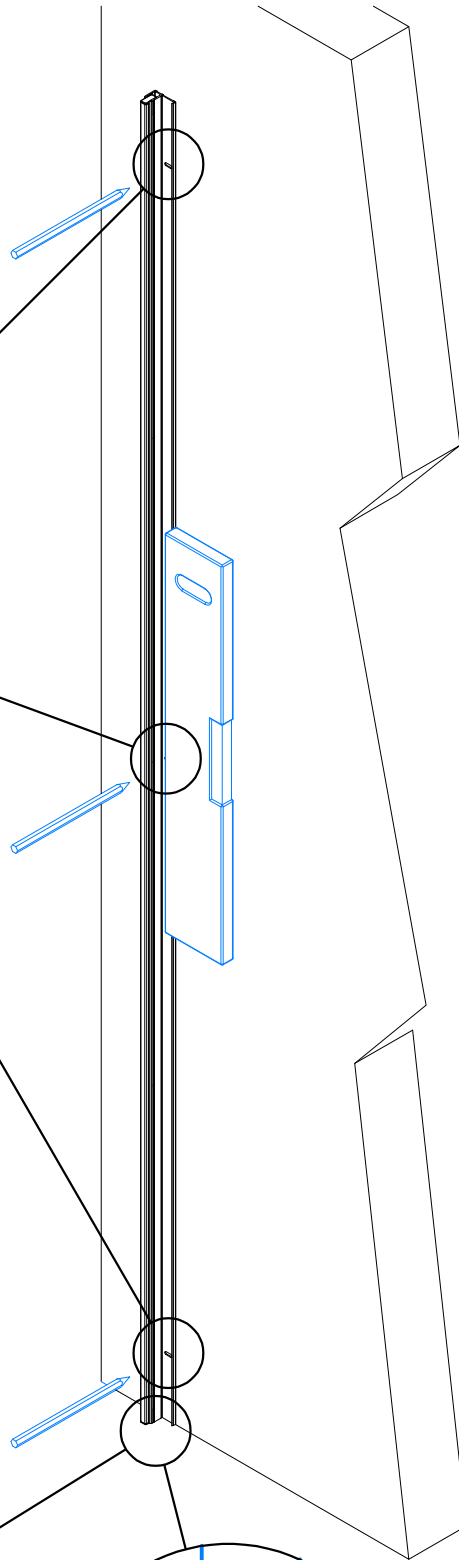


→ p.4

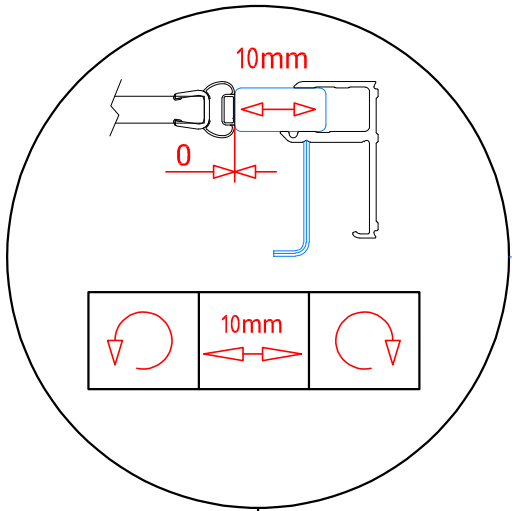
9.1



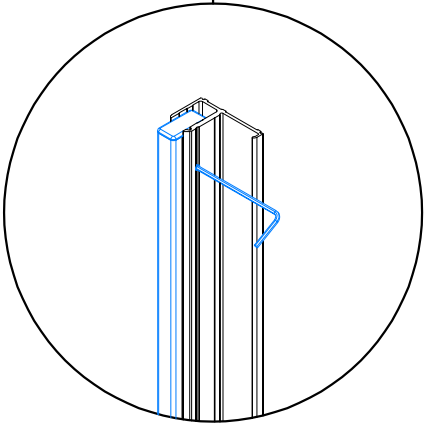
→ p.4



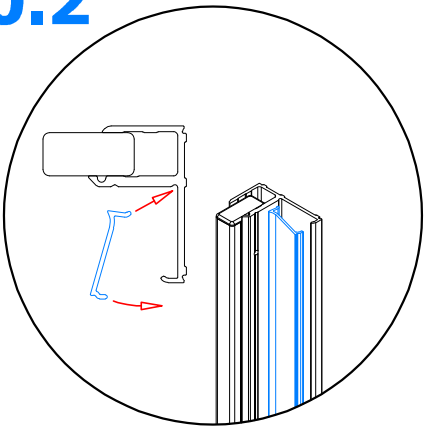
10.1 → 10.3



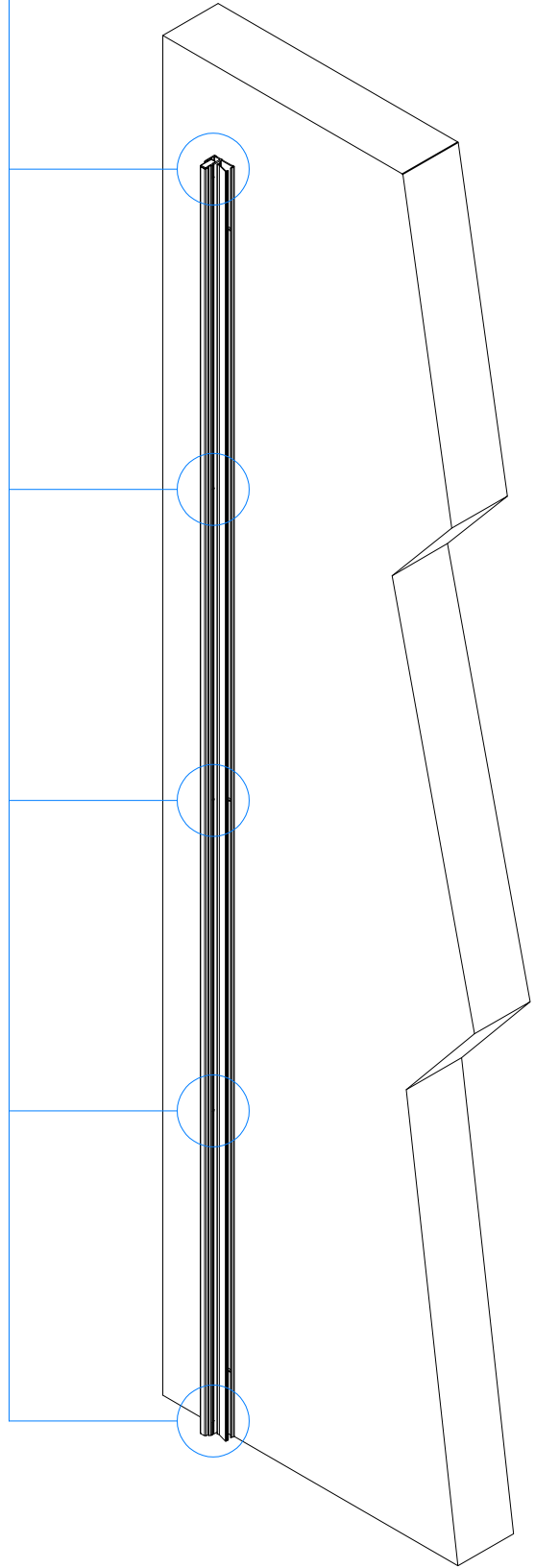
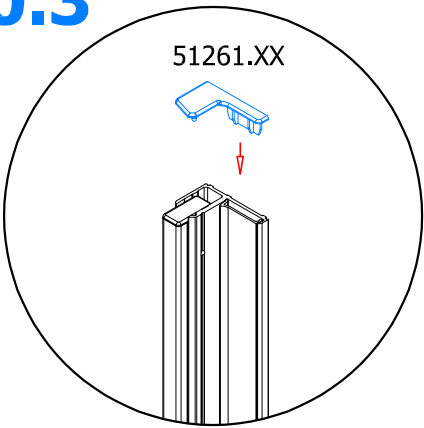
10.1



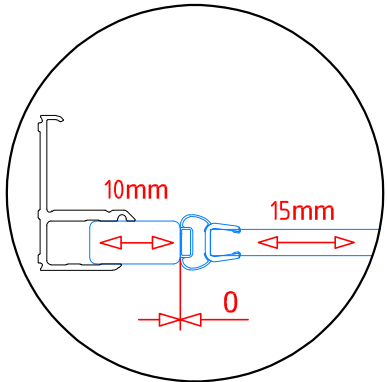
10.2



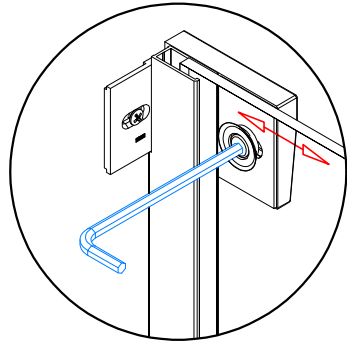
10.3



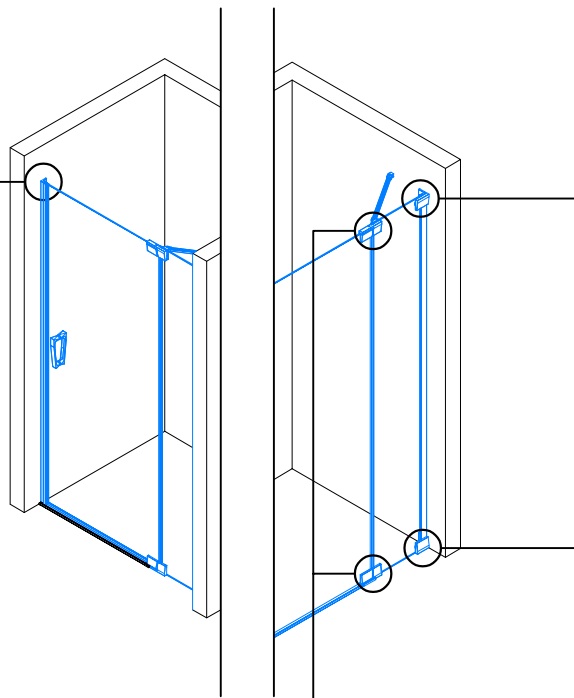
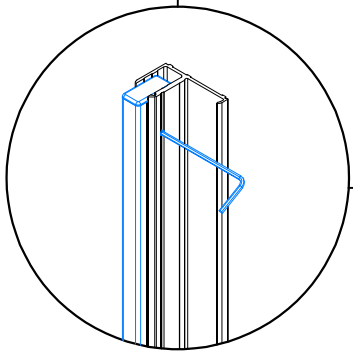
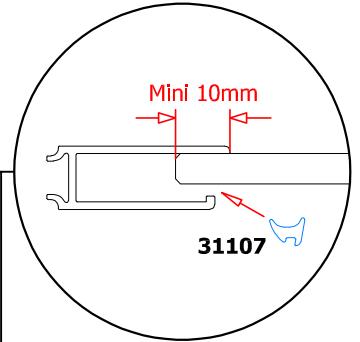
11.1 → 11.4



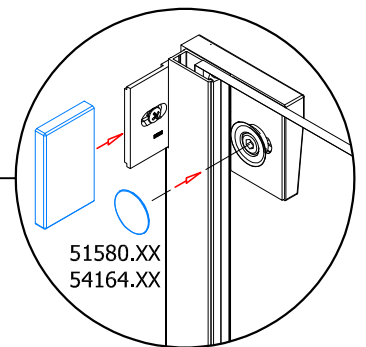
11.1



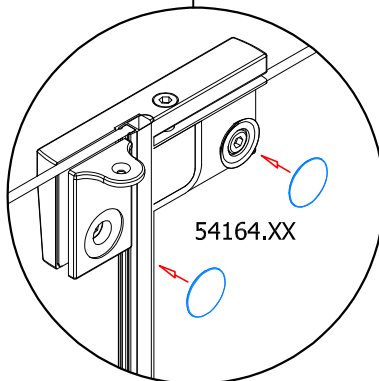
11.2



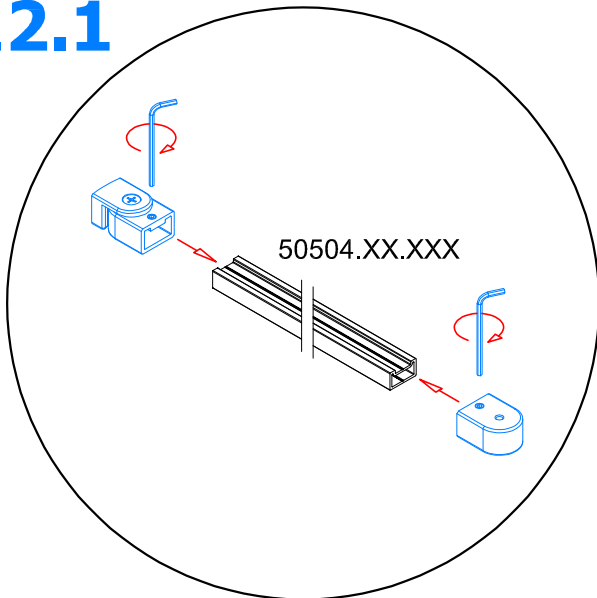
11.3



11.4

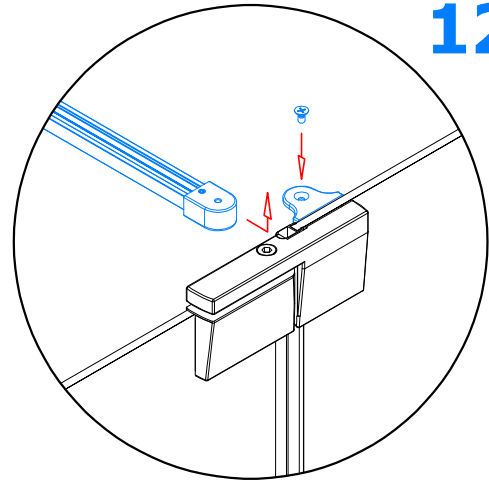


12.1

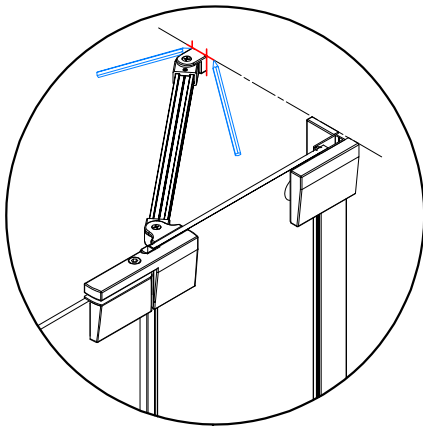


12.1 → 12.6

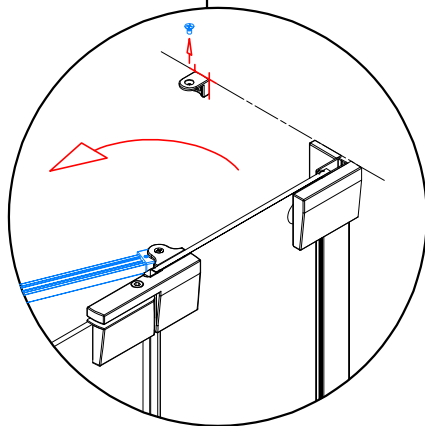
12.2



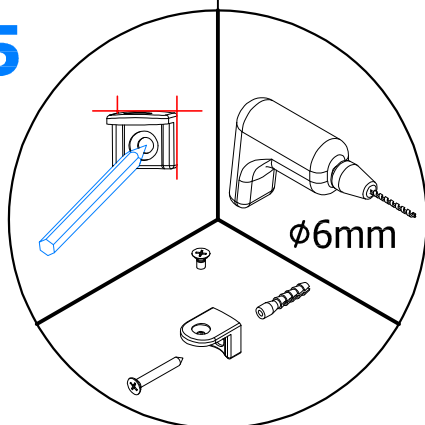
12.3



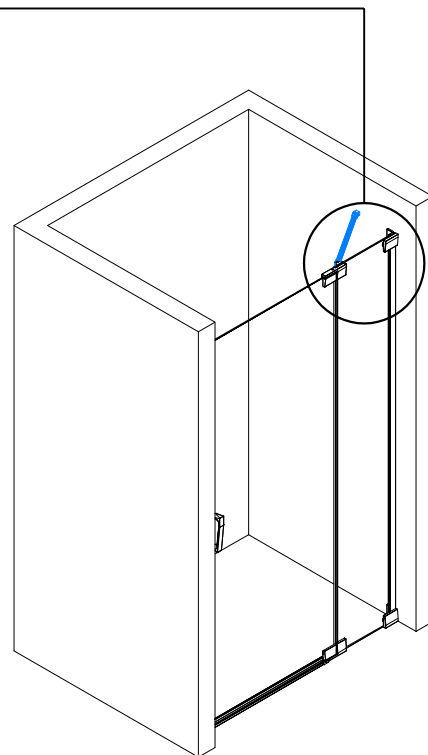
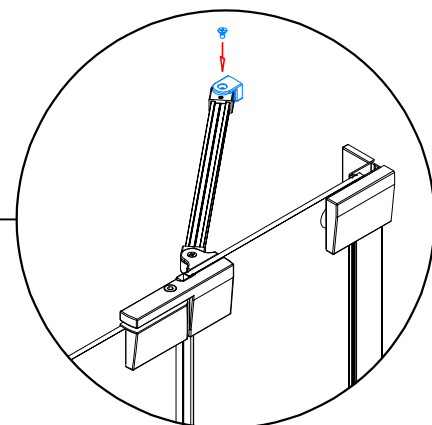
12.4



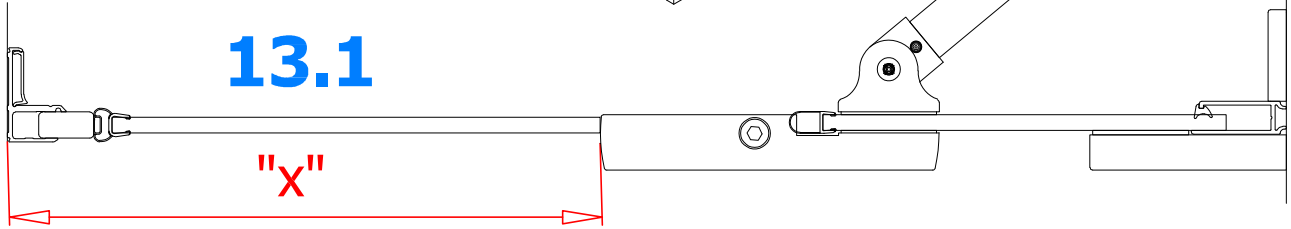
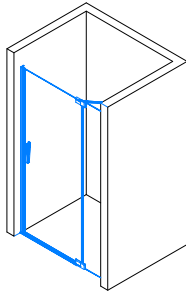
12.5



12.6



13.1 → 13.6

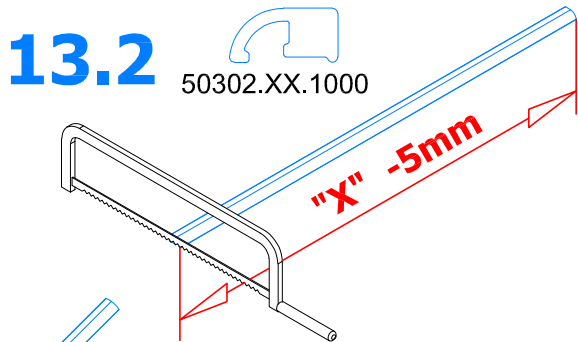


13.1

"X"

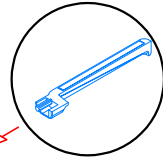
13.2

50302.XX.1000



"X" - 5mm

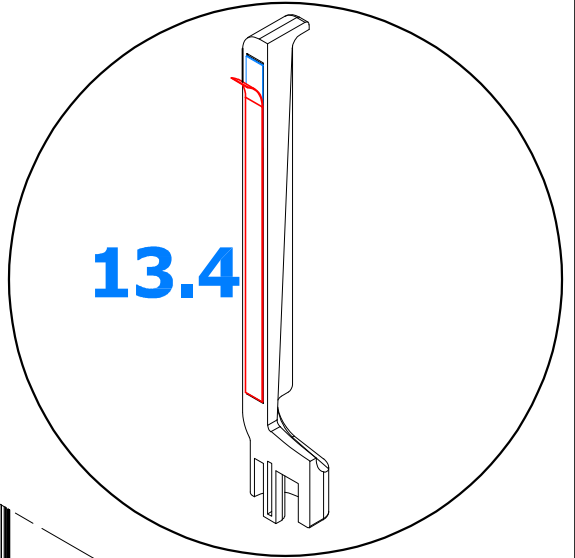
51625.XX



13.3

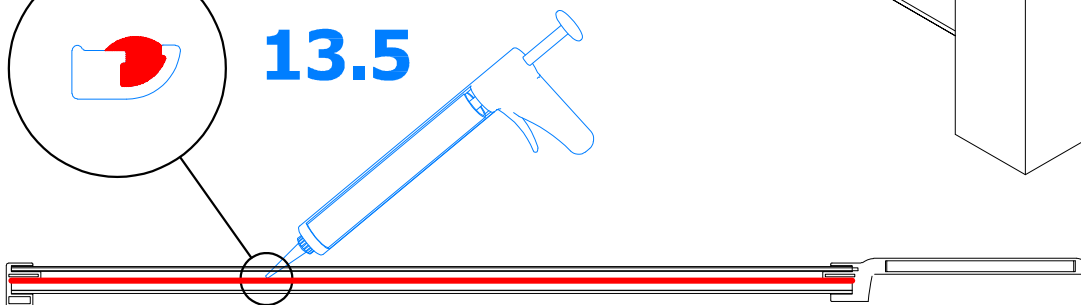
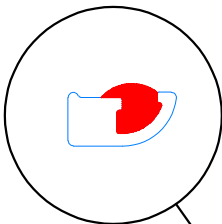
51254.XX

13.4

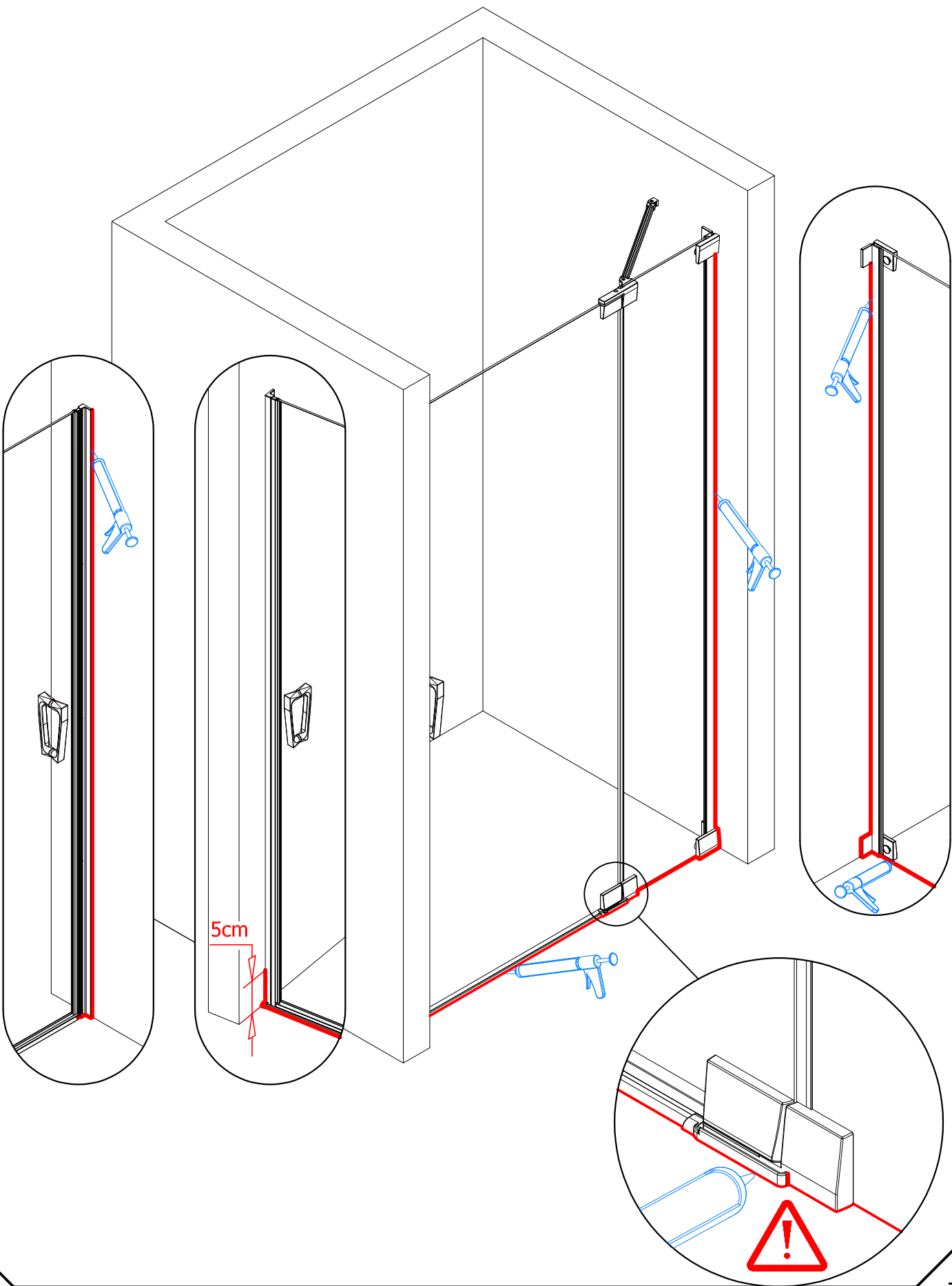


13.6

13.5



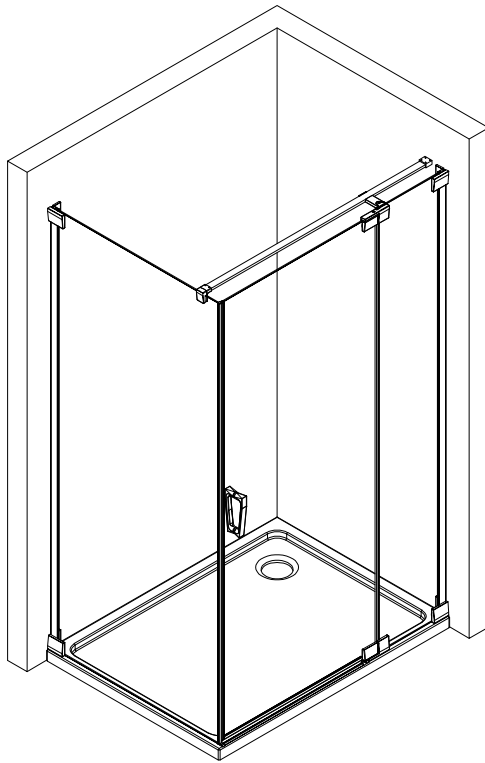
14.



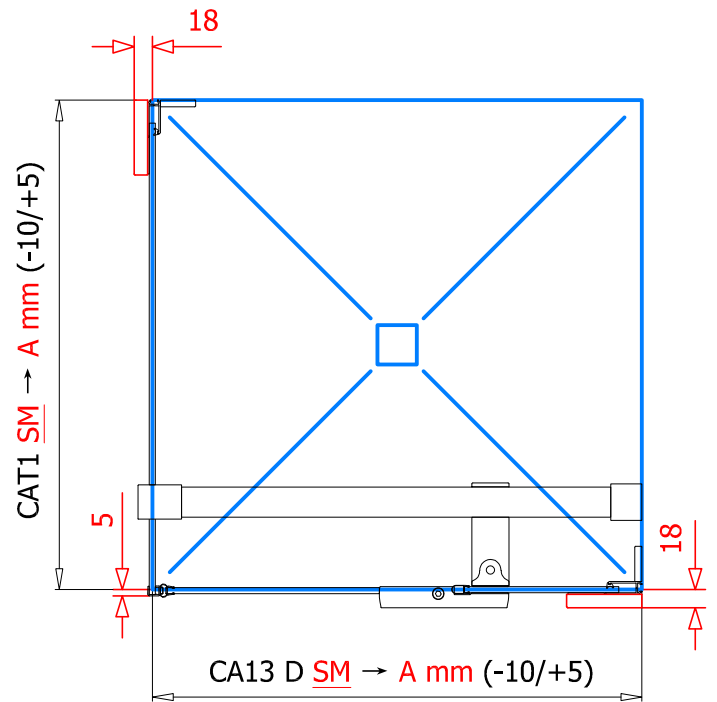
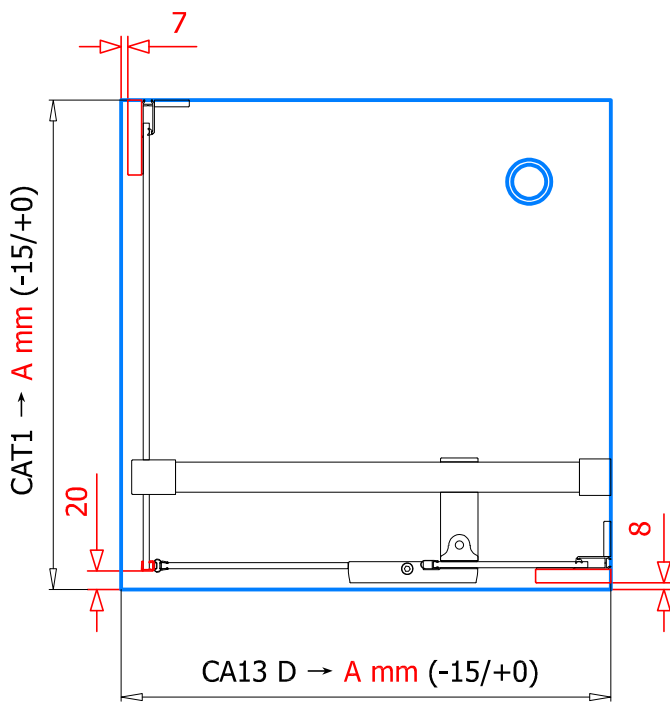
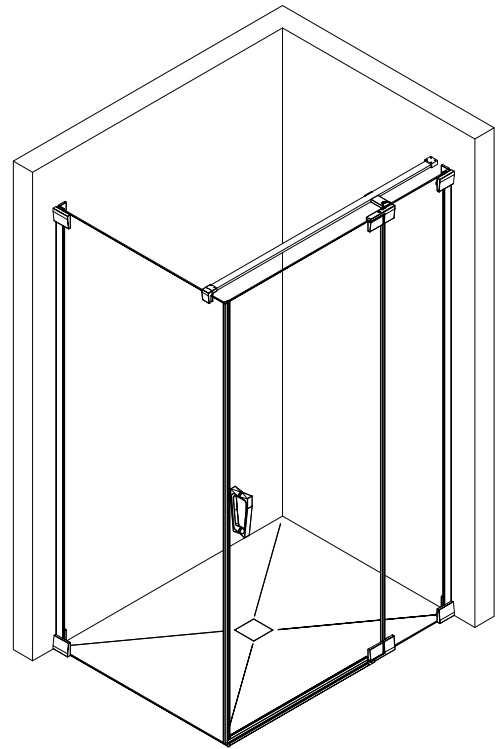
5cm



1.



2.

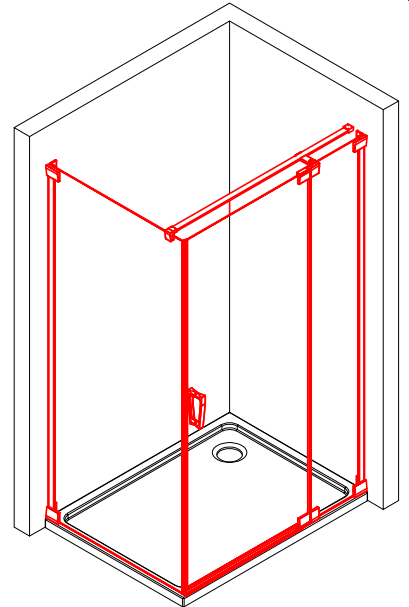
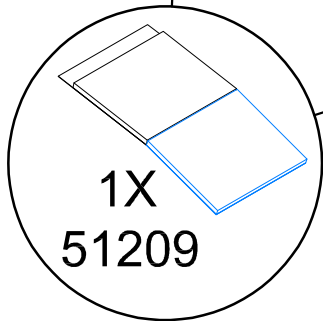
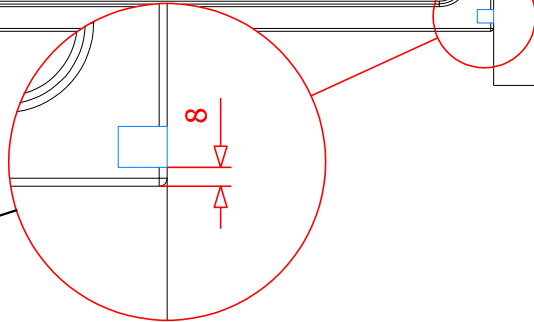
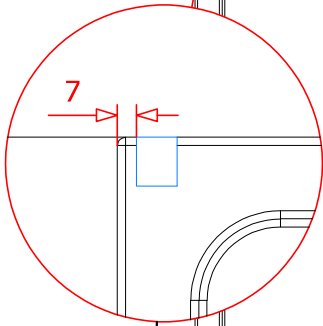


CAT1 SM → A mm (-10/+5)
 CA13 D SM → A mm (-10/+5)

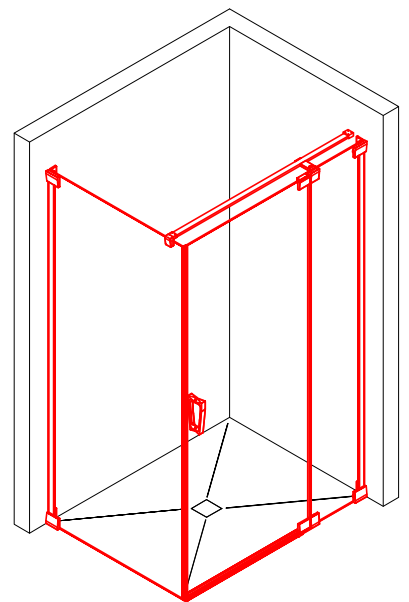
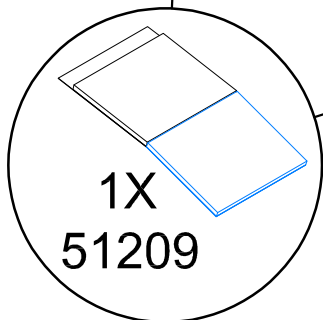
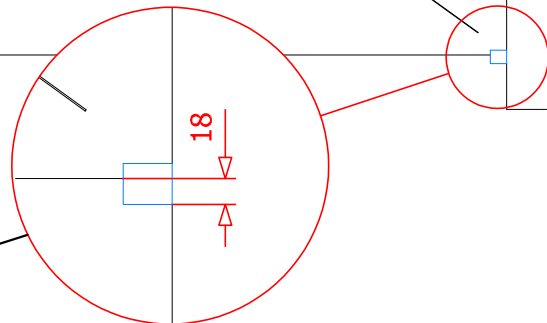
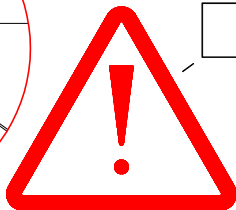
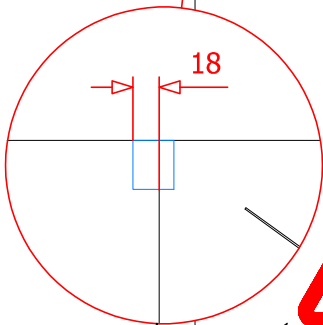


CAT1 SM → A mm (-10/+5)
 CA13 D SM → A mm (-10/+5)

1.

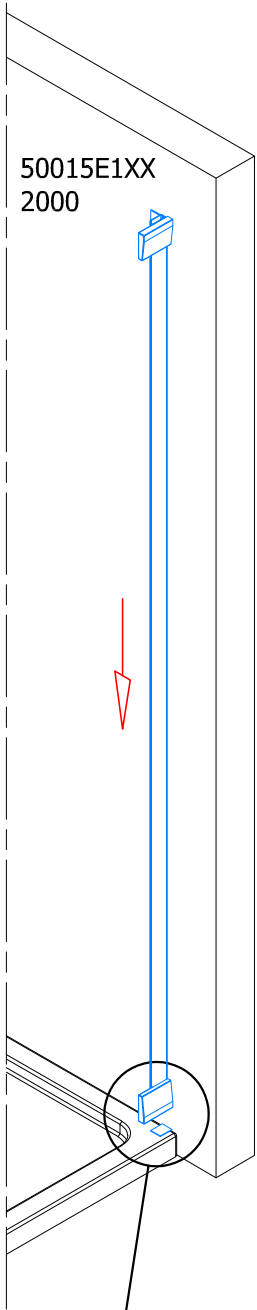


2.

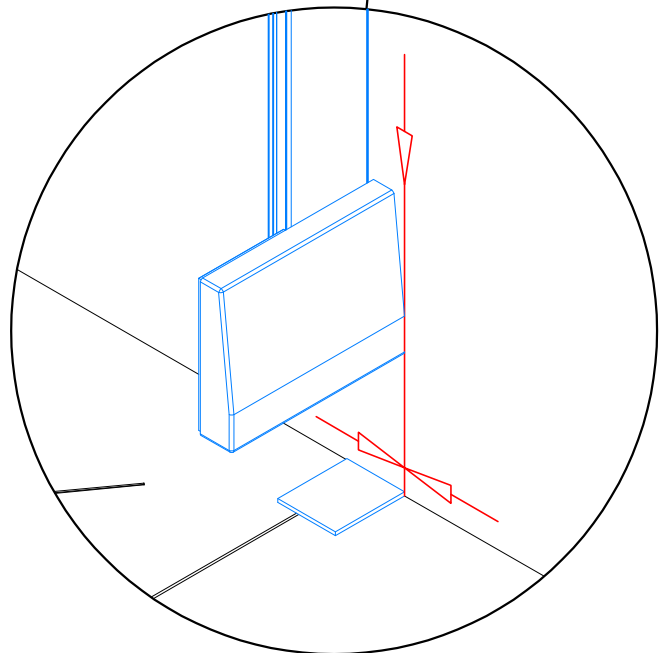
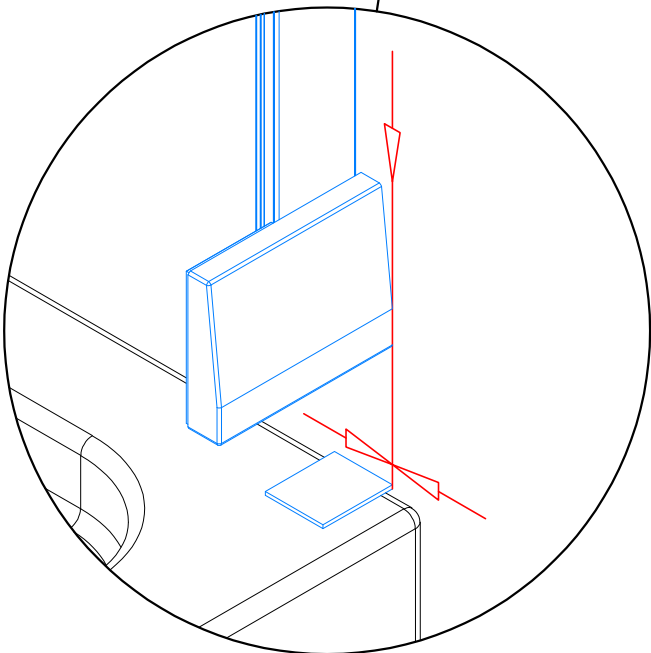
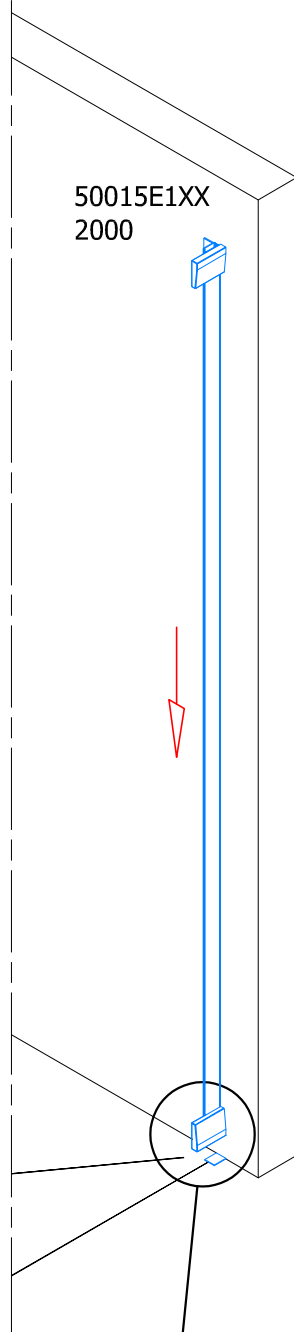


3.

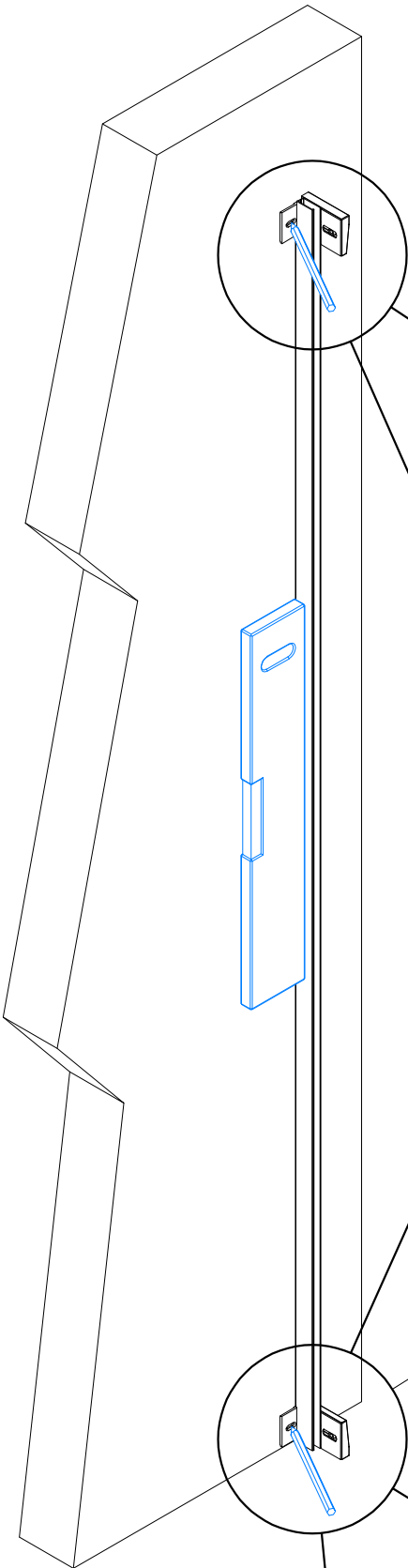
50015E1XX
2000



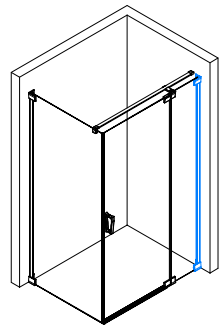
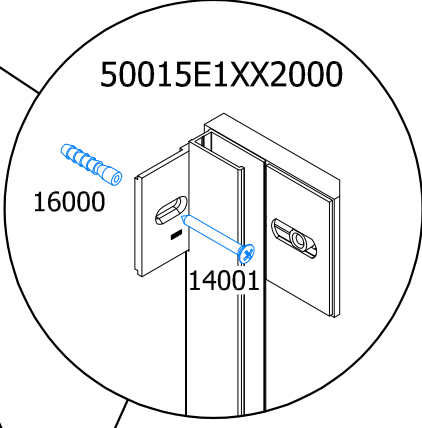
50015E1XX
2000



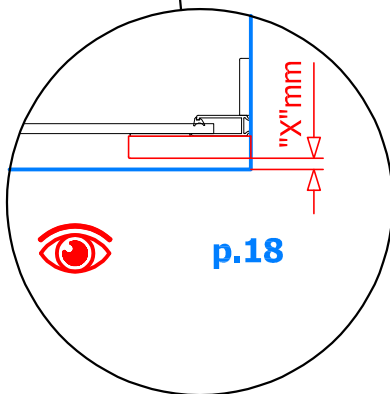
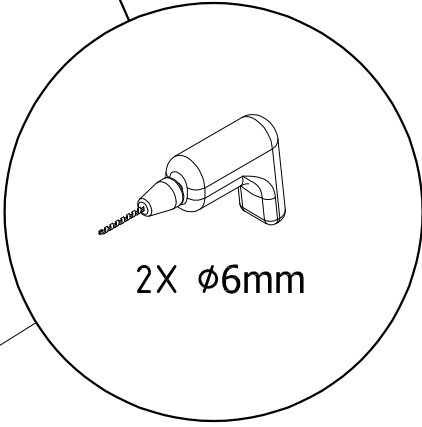
4.1 → 4.3



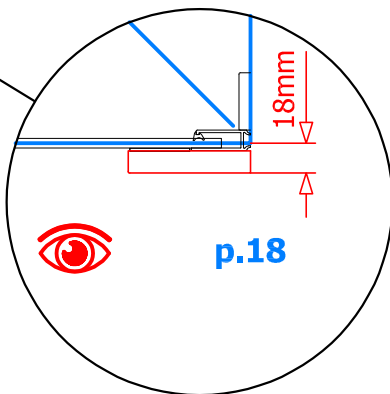
4.3



4.2

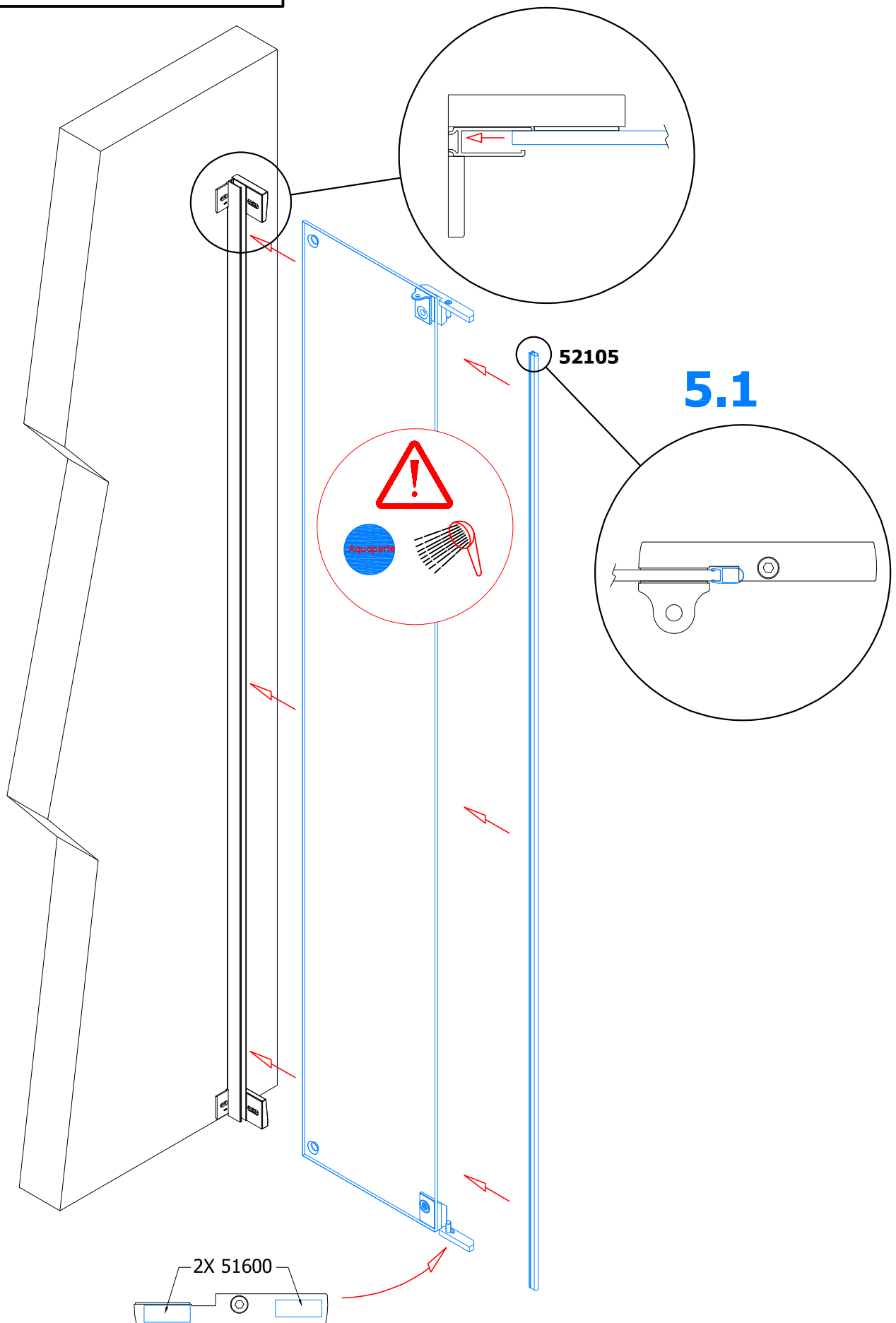


4.1



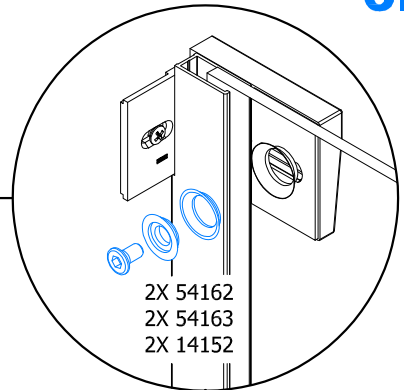
5.1 → 5.2

5.2

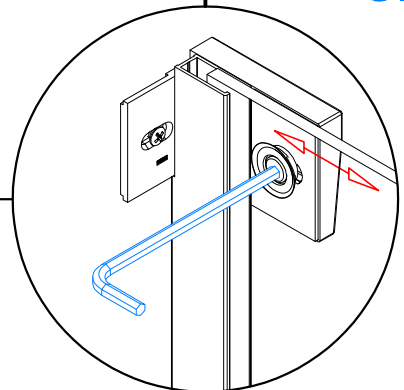


6.1 → 6.3

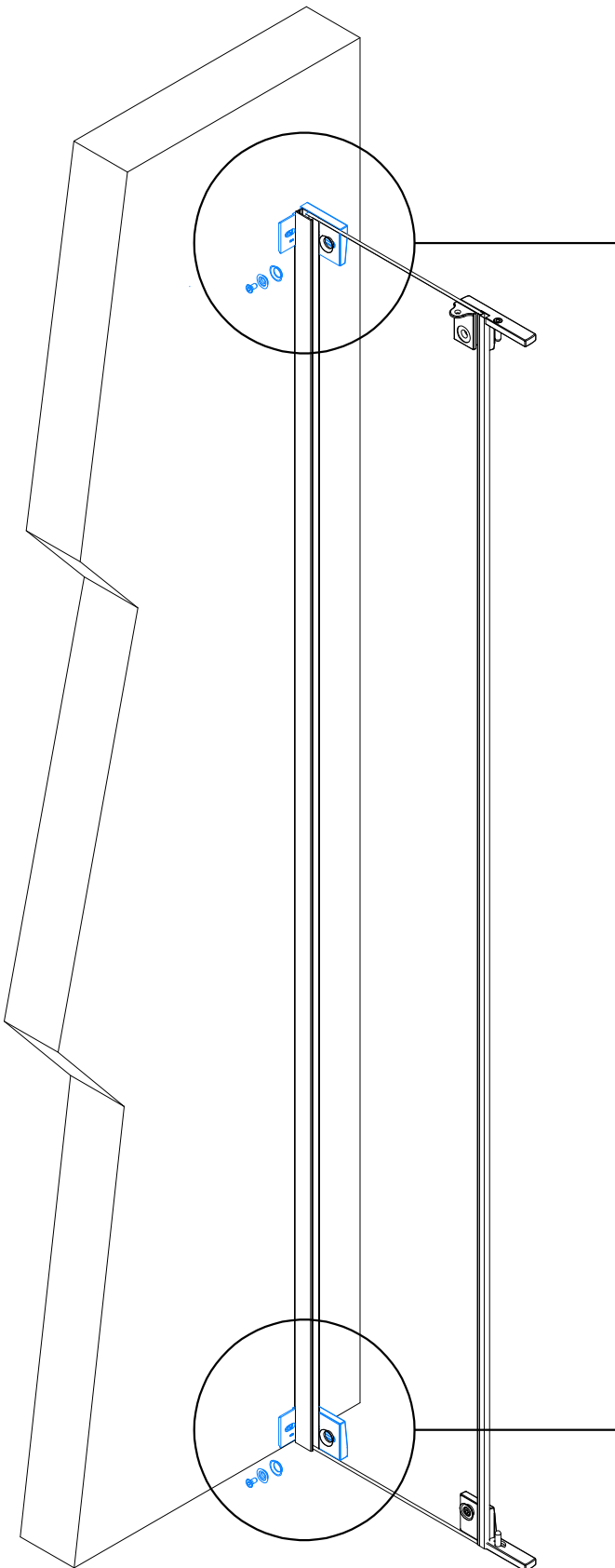
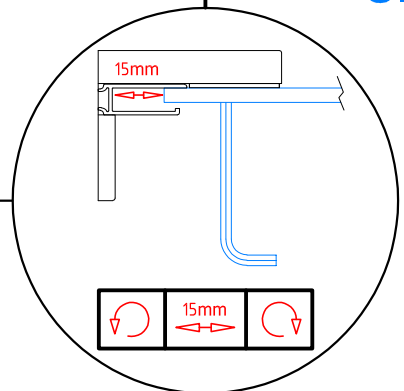
6.1



6.2

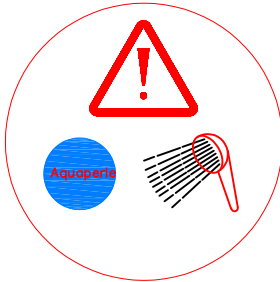
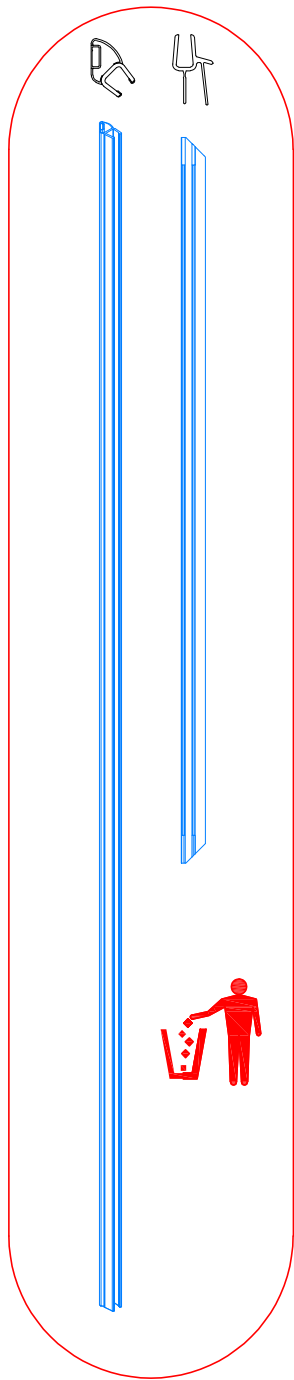
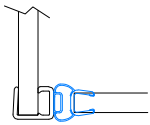
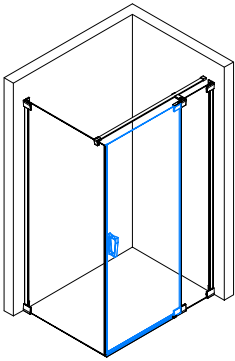


6.3

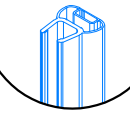




7.1 → 7.5

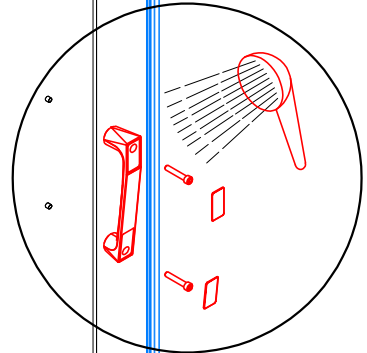


42356.1967

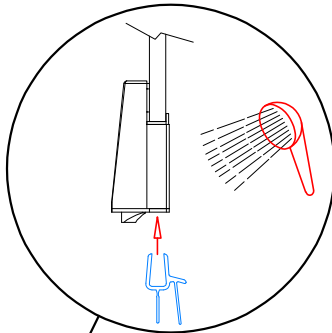


7.3

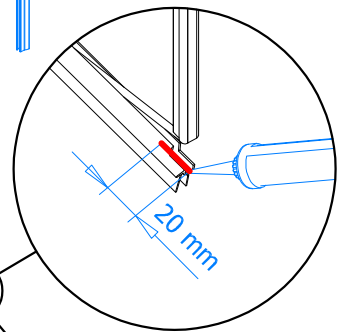
7.5



7.2



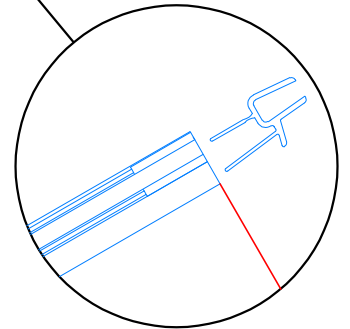
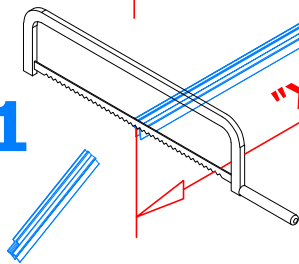
7.4



"X"

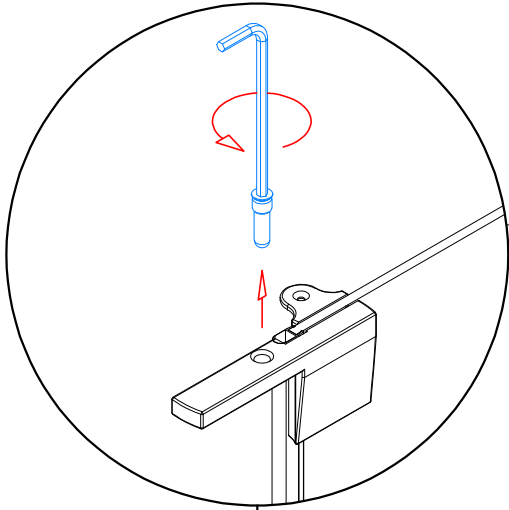
"X" + 7mm

4.1

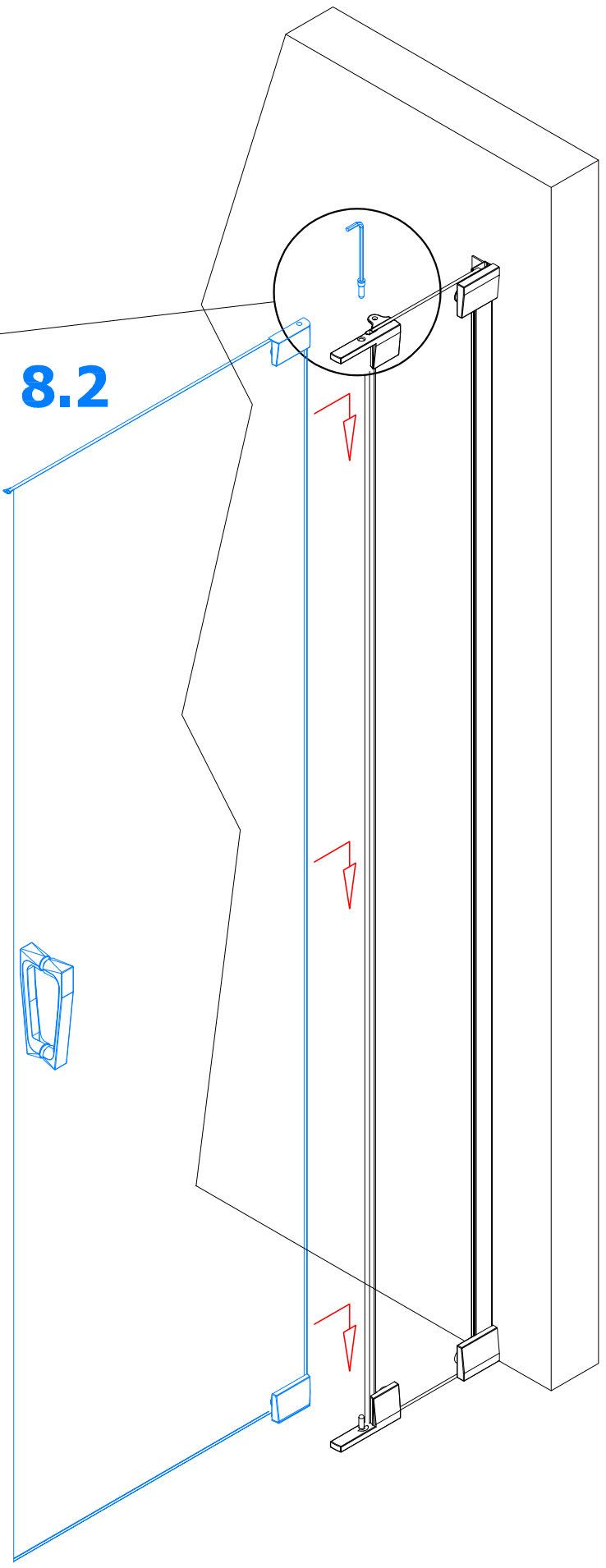


8.1 → 8.3

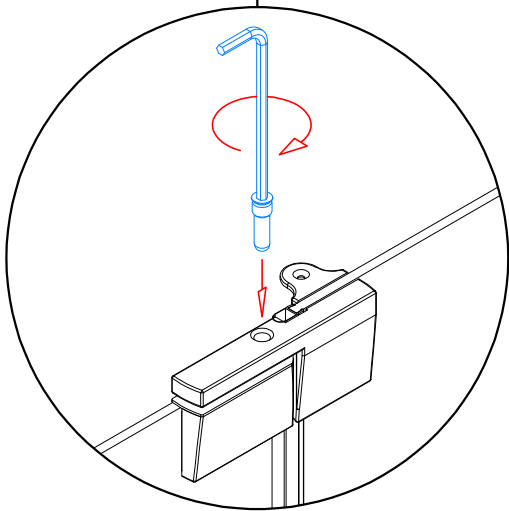
8.1



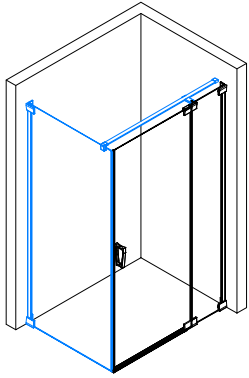
8.2



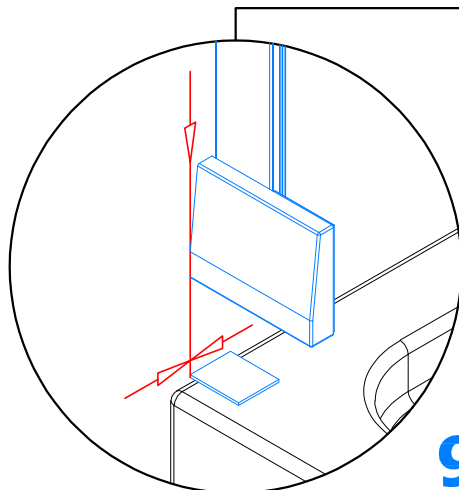
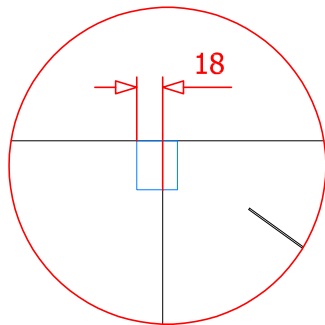
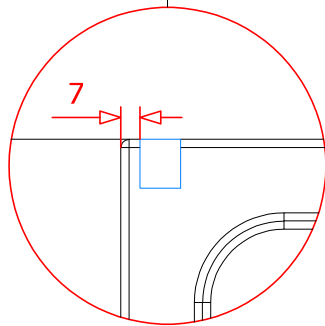
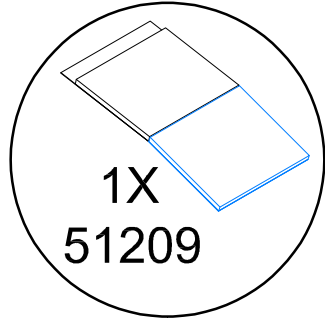
8.3



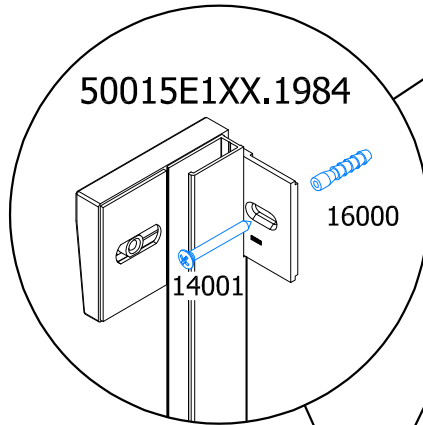
9.1 → 9.4



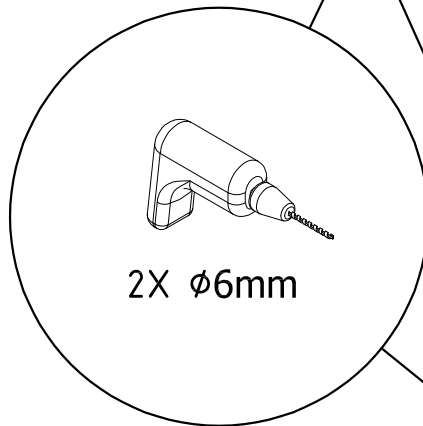
9.1



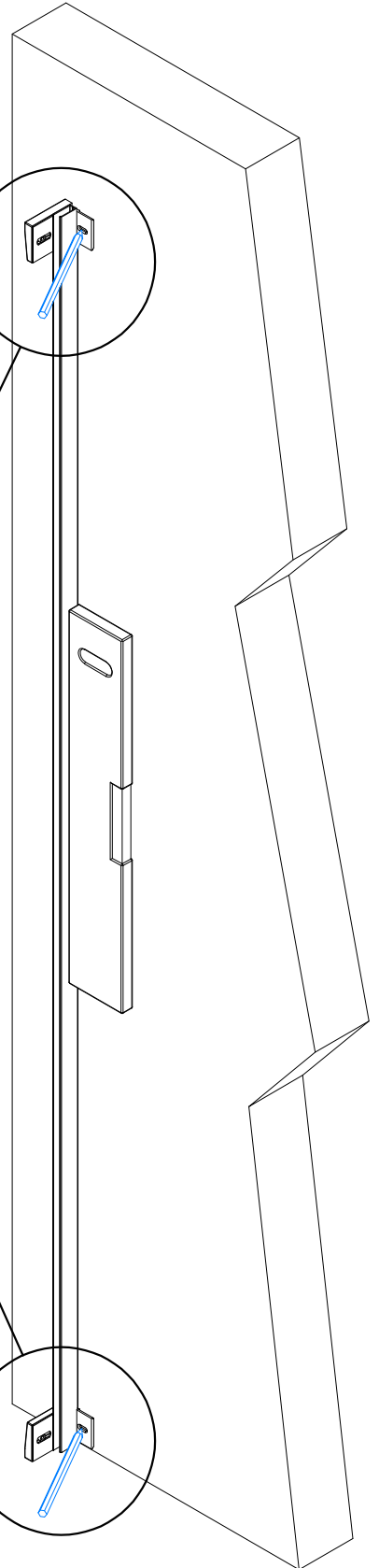
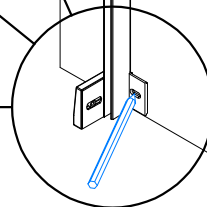
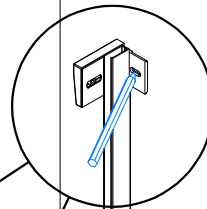
9.2



9.3

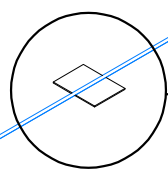
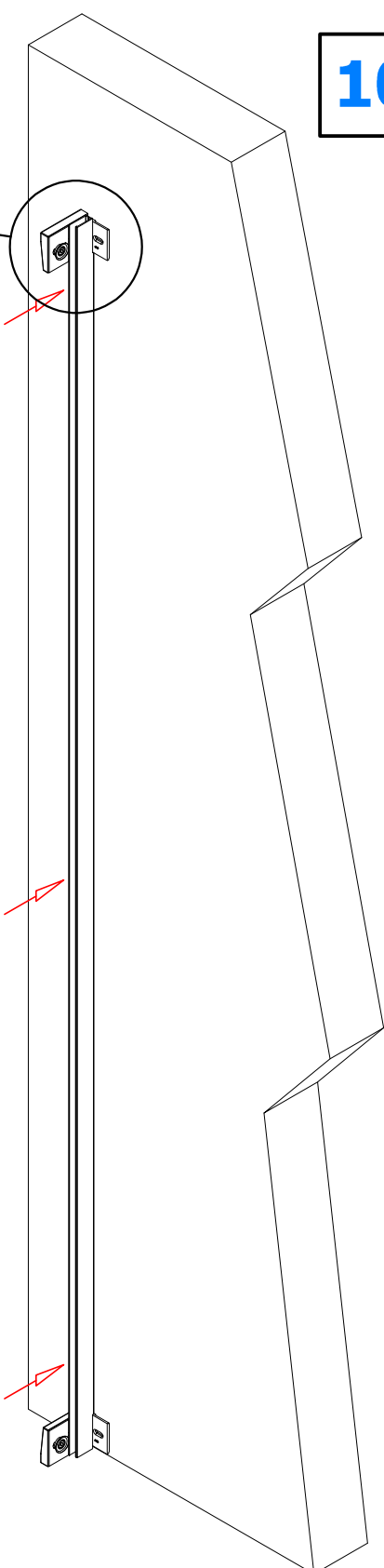
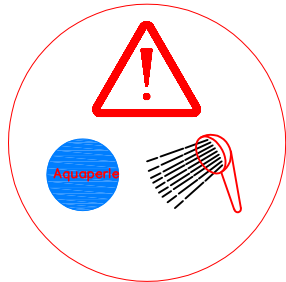
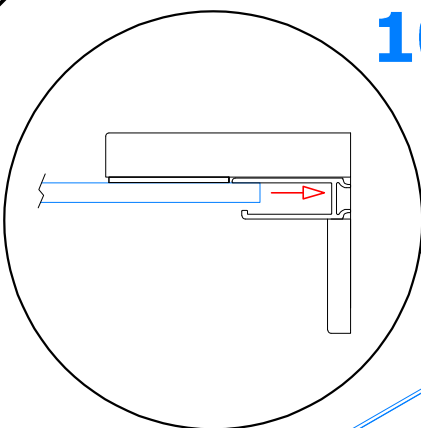


9.4

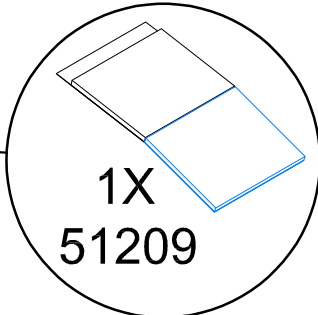


10.2

10.1 → 10.2

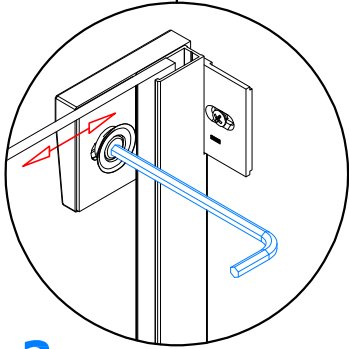
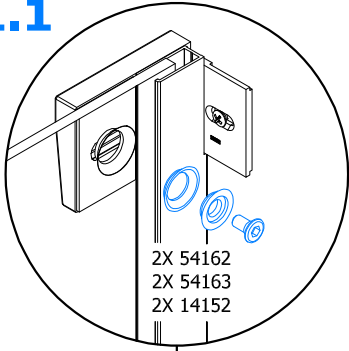


10.1

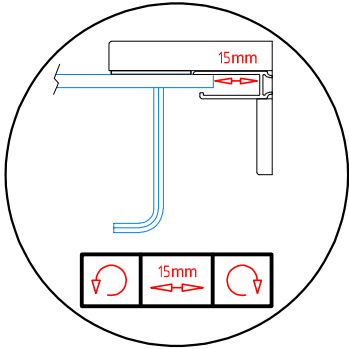


11.1 → 11.4

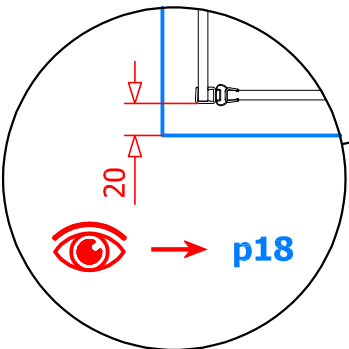
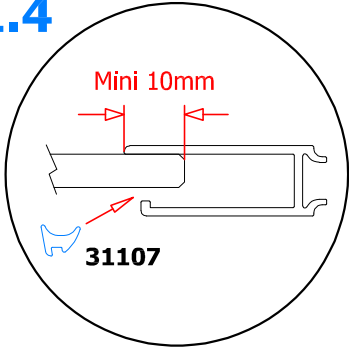
11.1



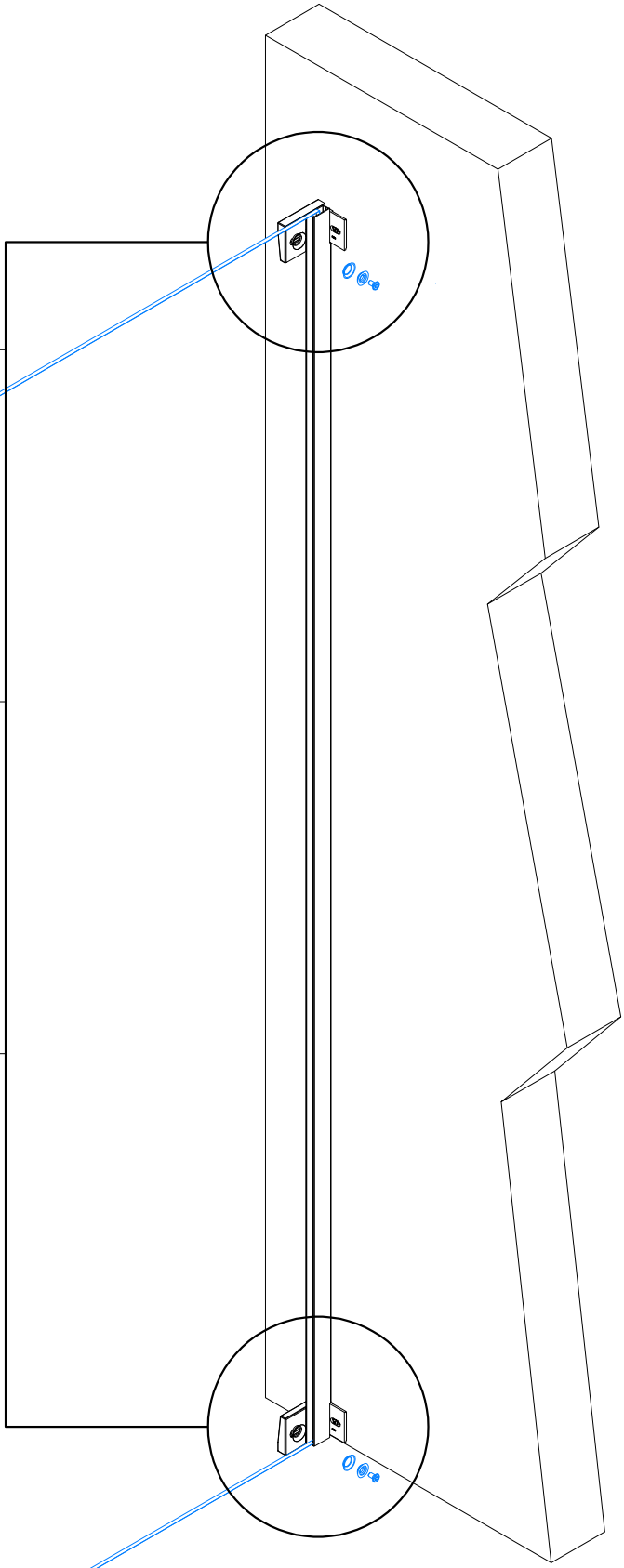
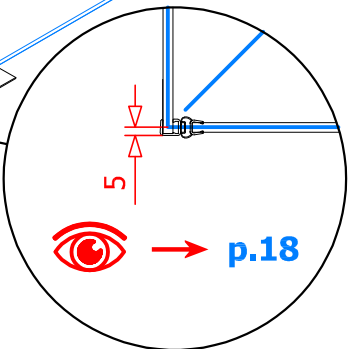
11.3



11.4



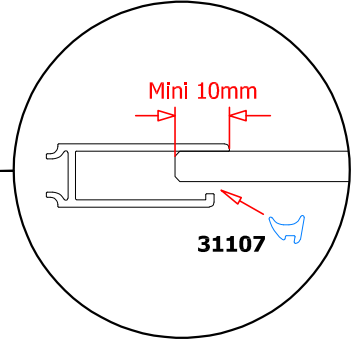
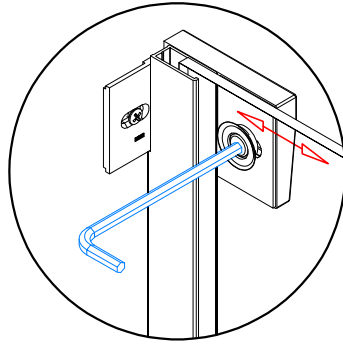
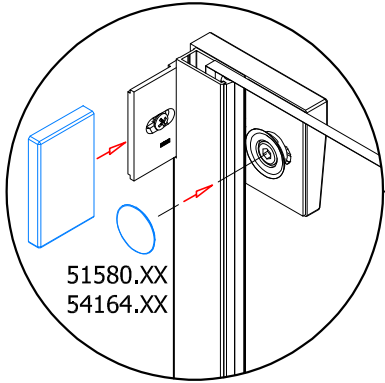
11.2



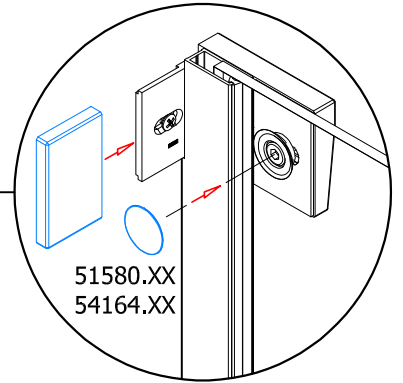
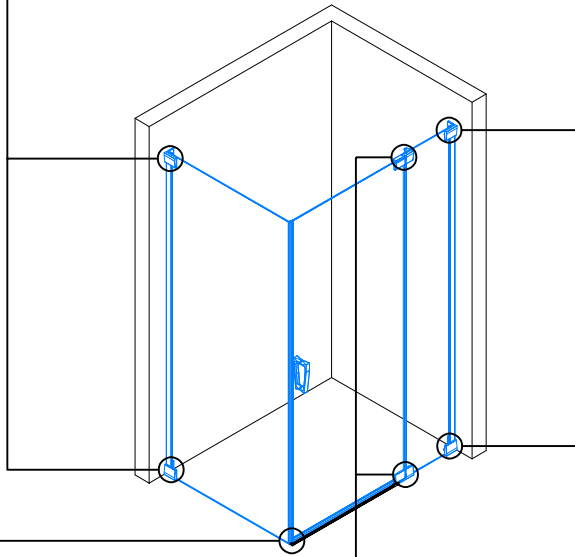
12.1 → 12.5

12.1

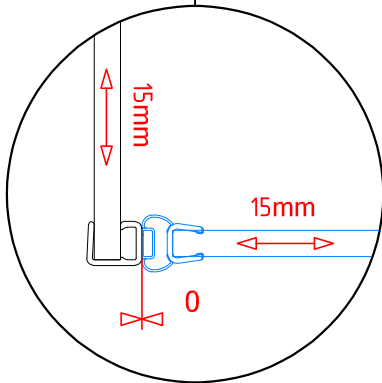
12.5



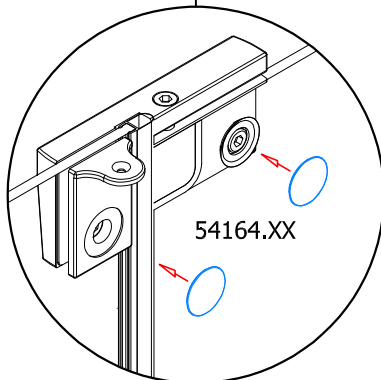
12.3



12.2



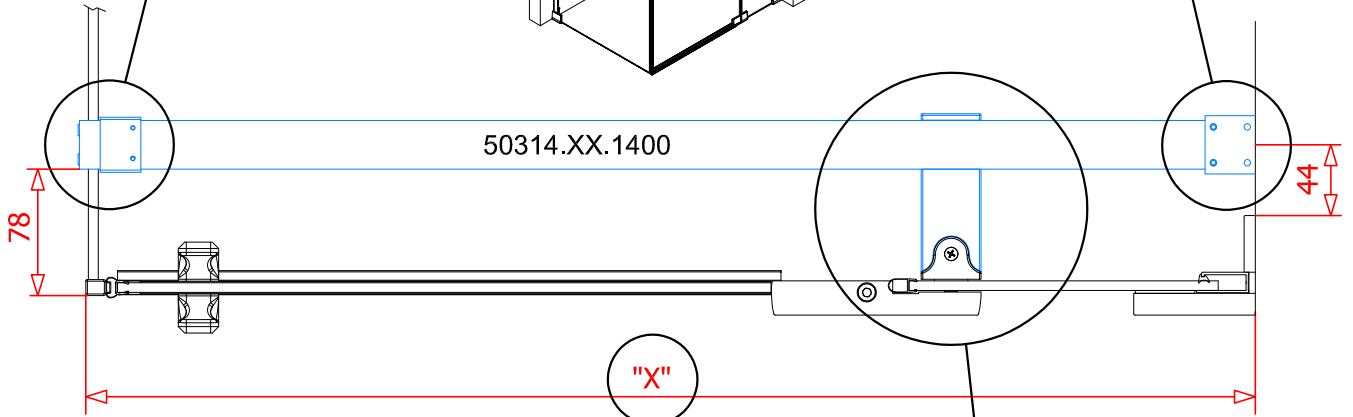
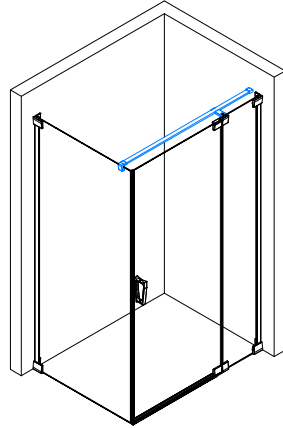
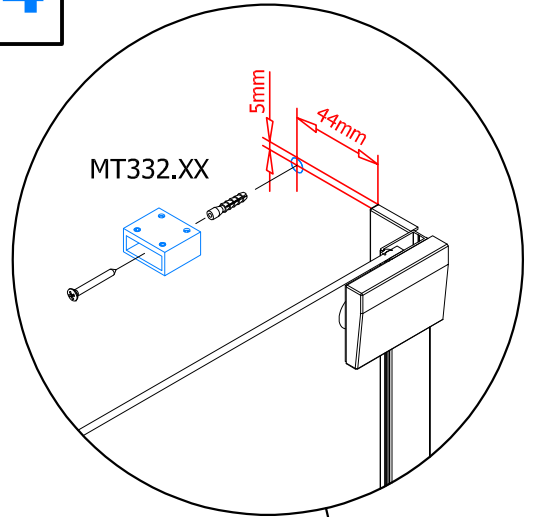
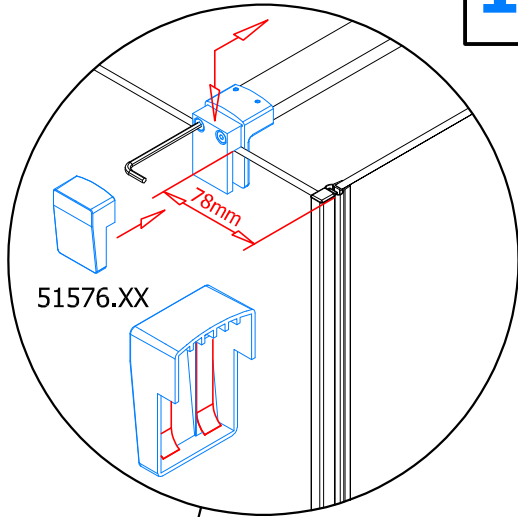
12.4



13.4

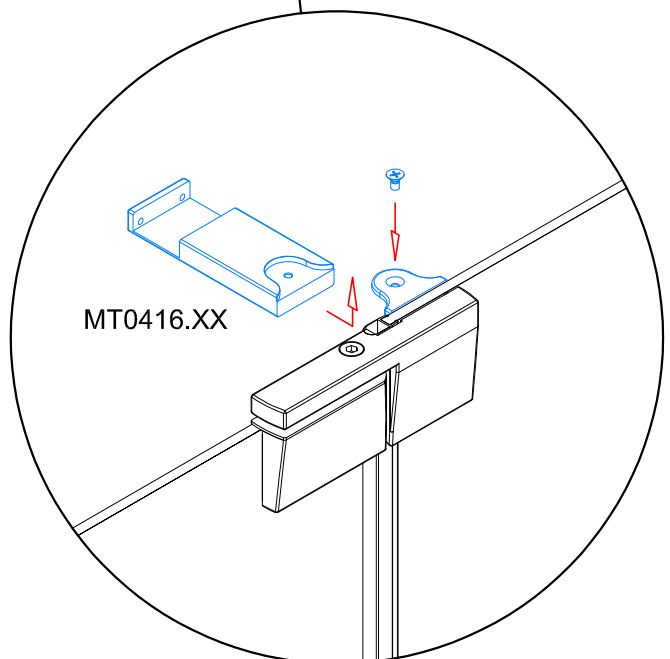
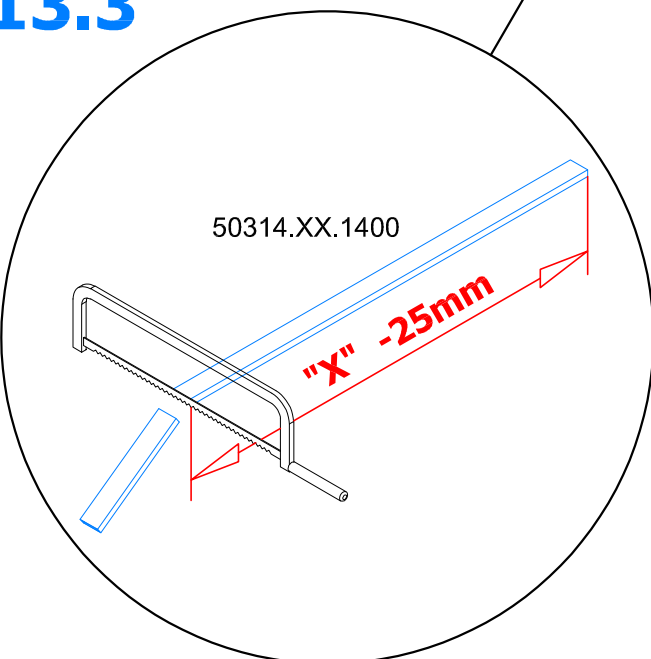
13.1 → 13.4

13.1

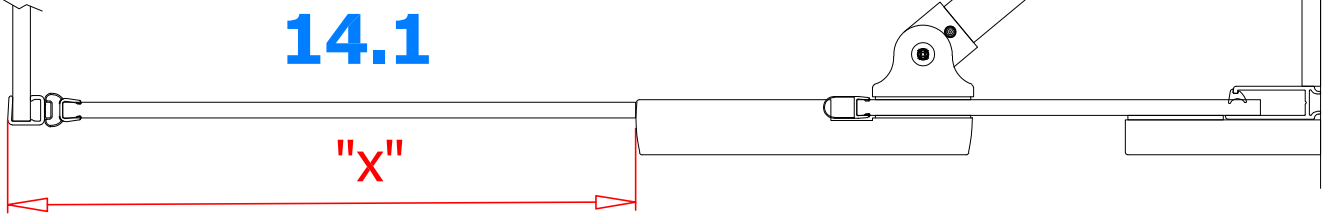
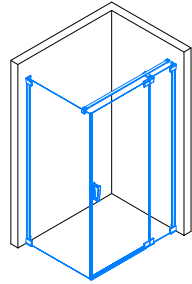


13.3

13.2



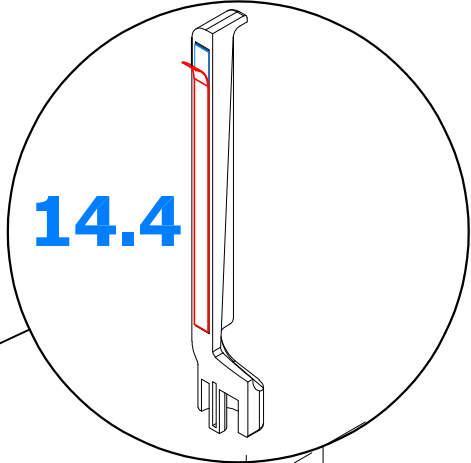
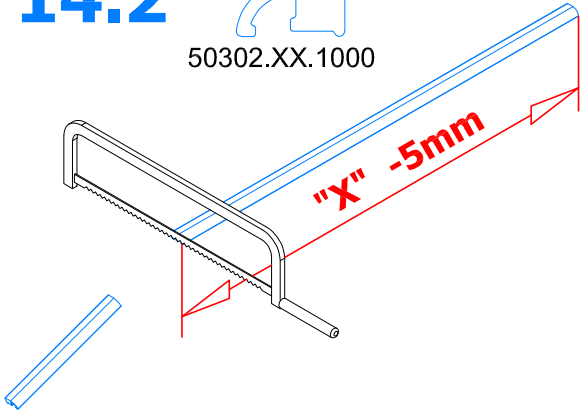
14.1 → 14.5



14.2



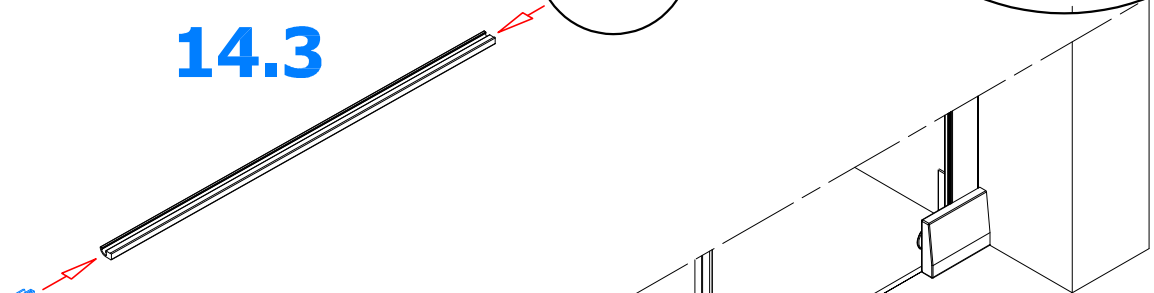
50302.XX.1000



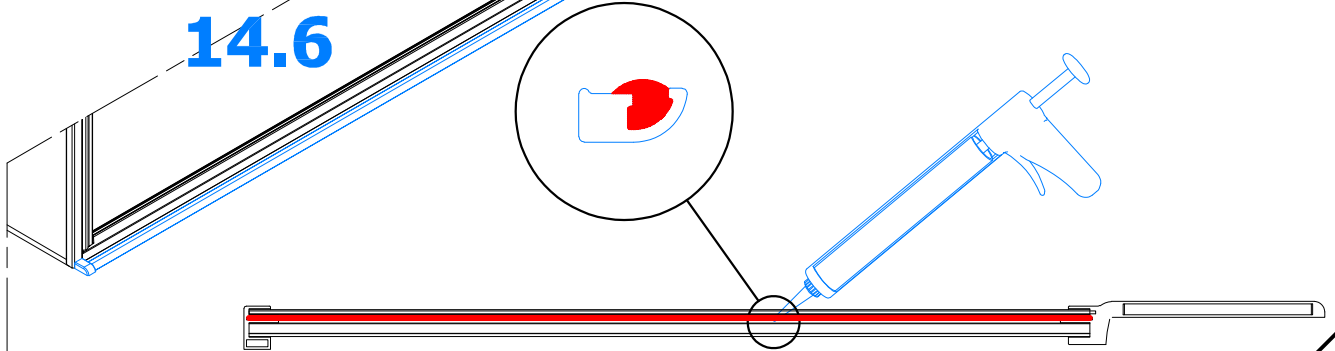
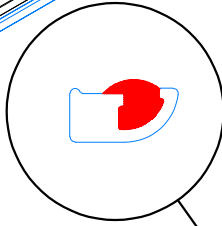
51625.XX

14.3

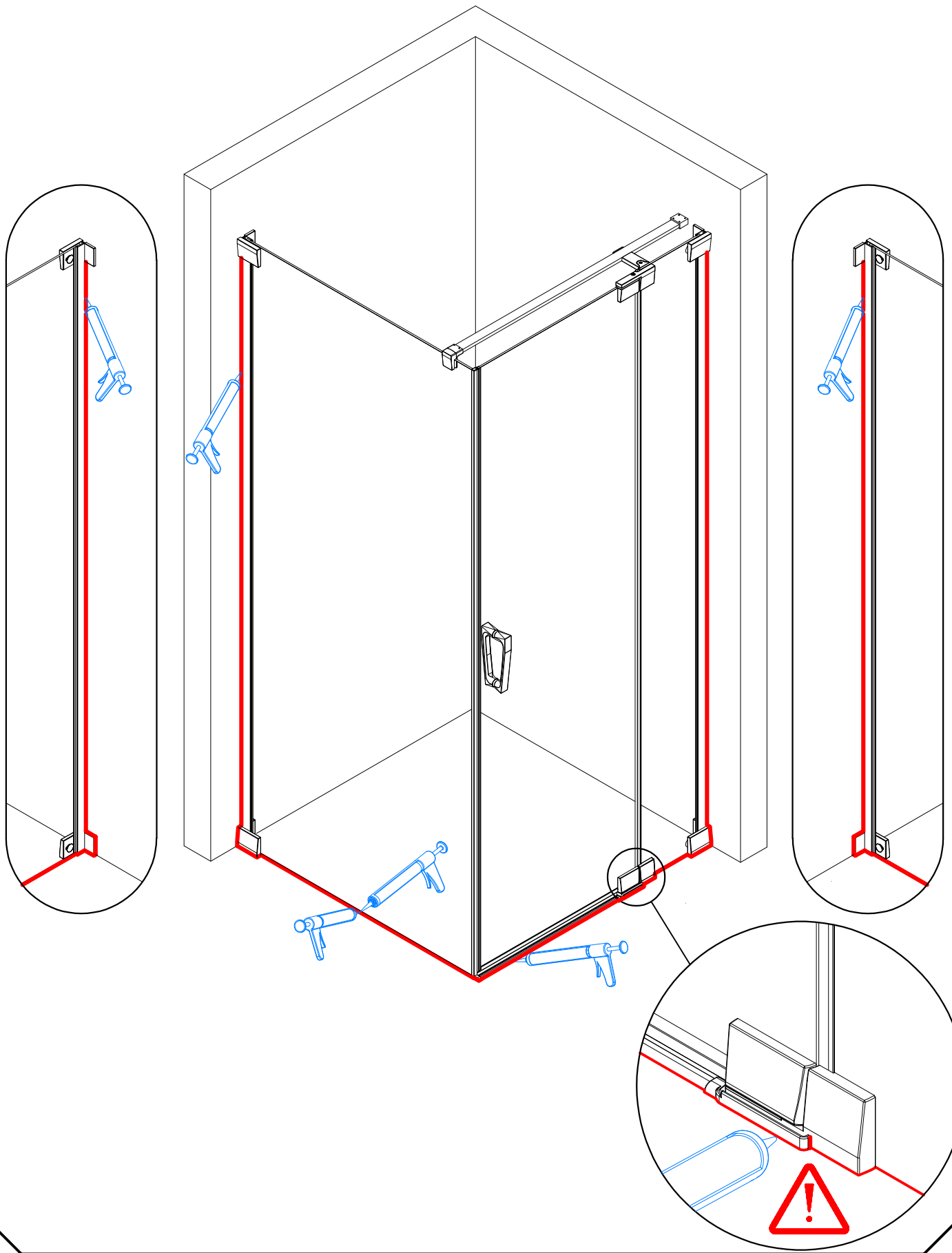
51254.XX



14.6

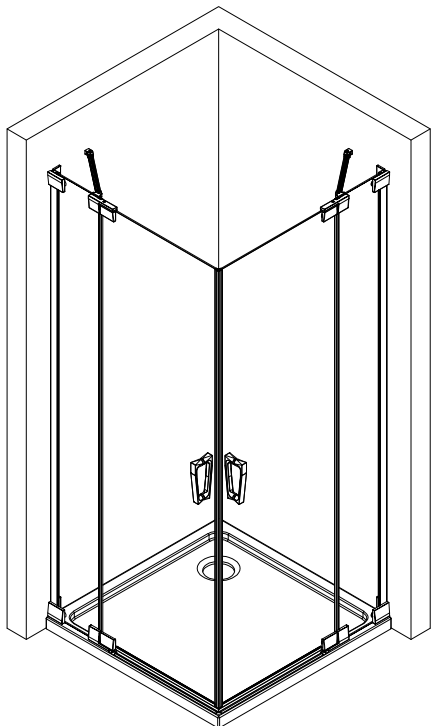


15.

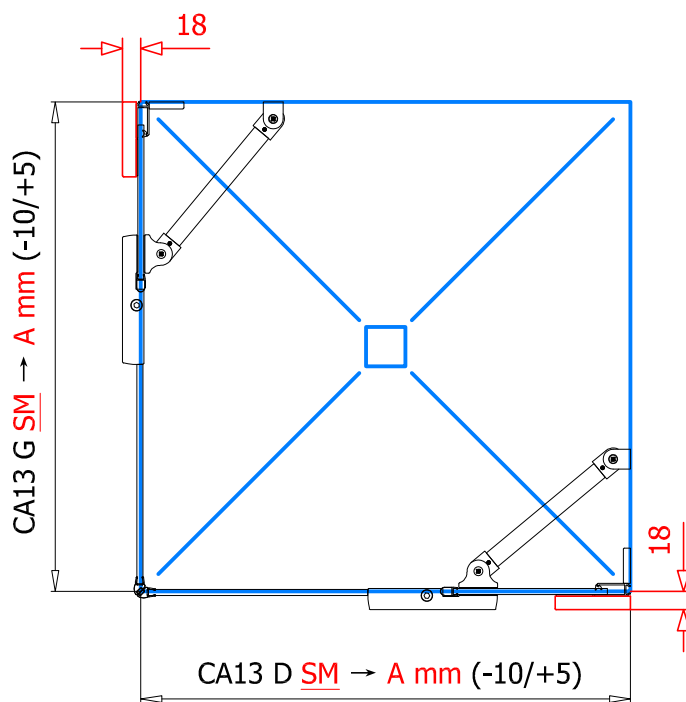
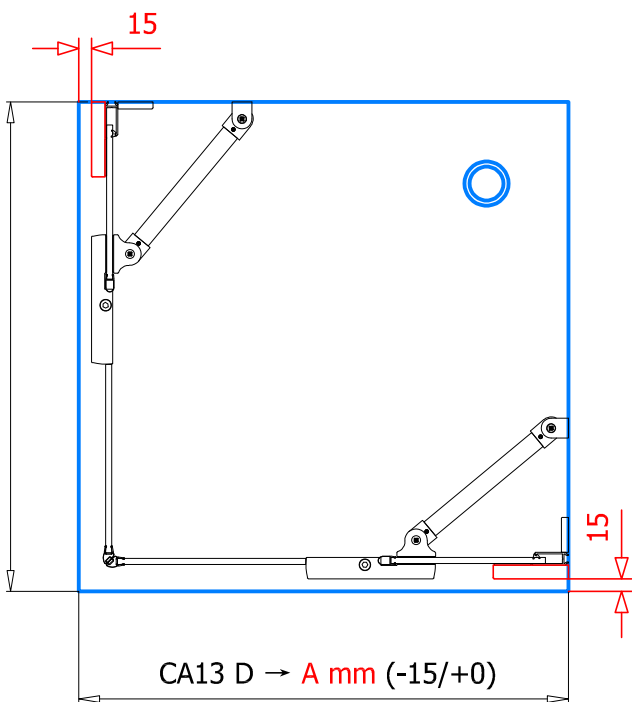
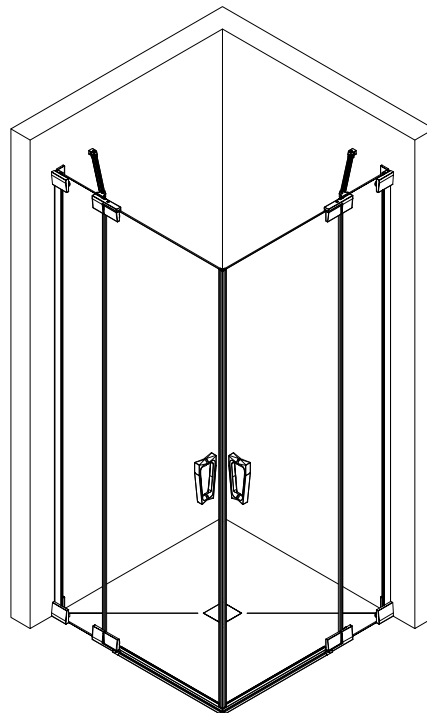




1.



2.



CA13 D SM → A mm (-10/+5)

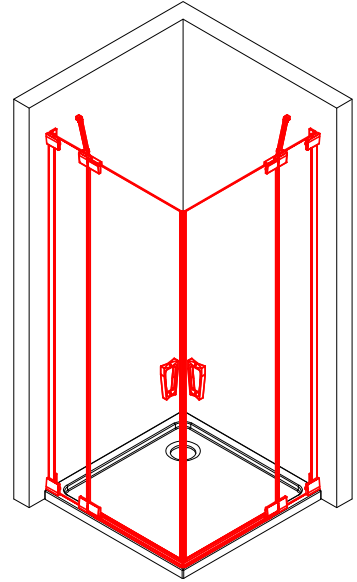
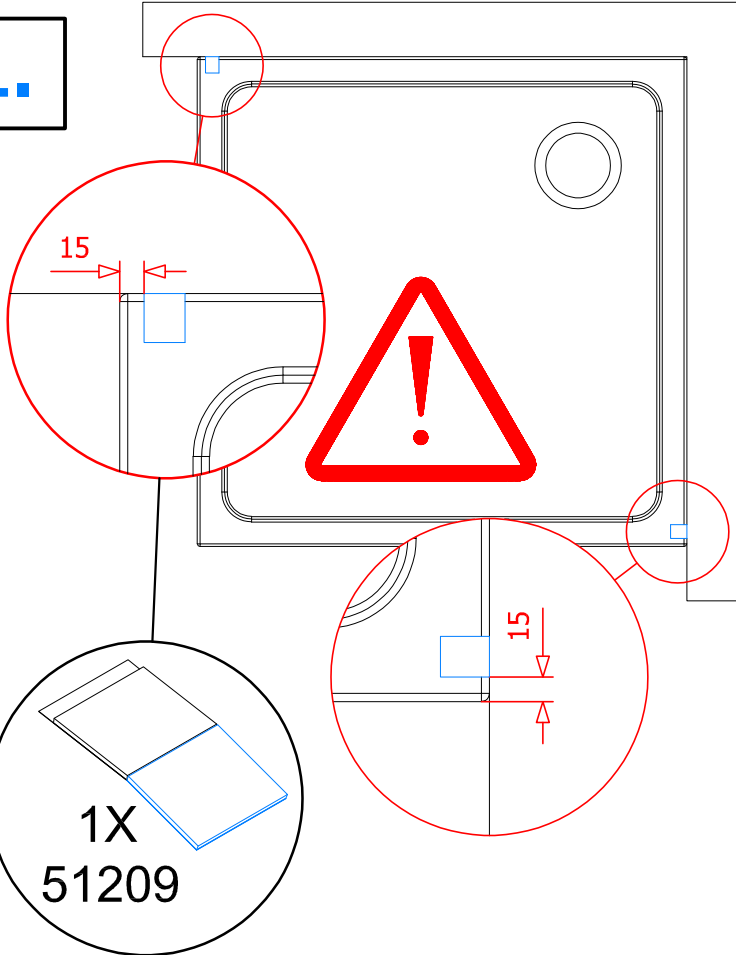
CA13 G SM → A mm (-10/+5)



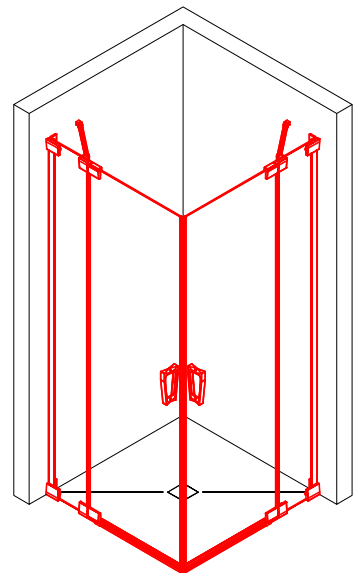
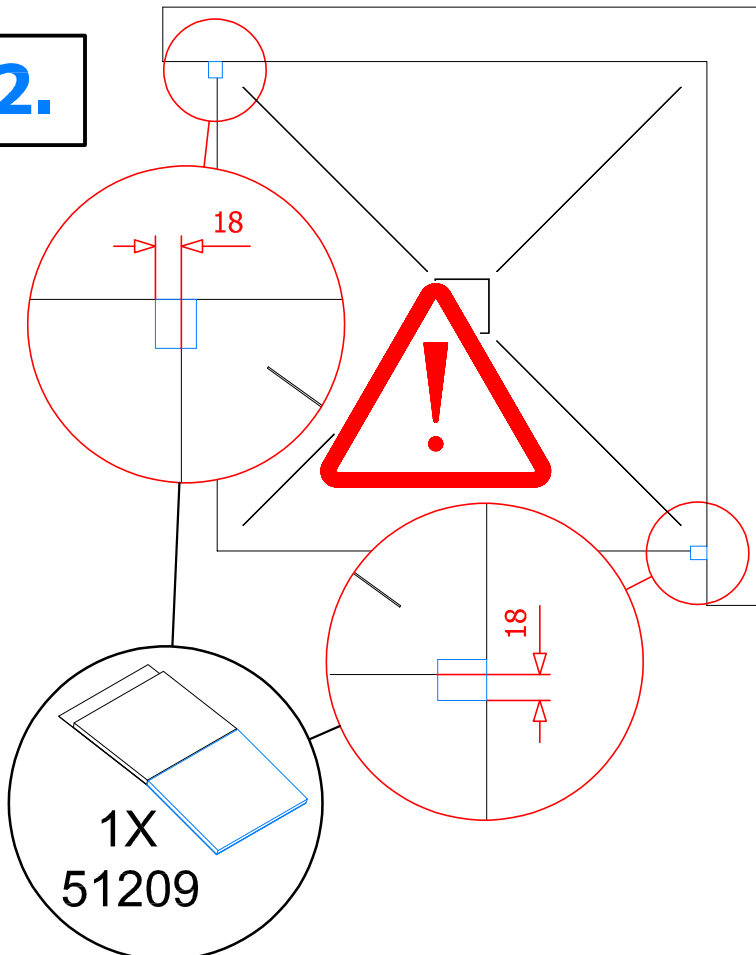
CA13 D SM → A mm (-10/+5)

CA13 G SM → A mm (-10/+5)

1.

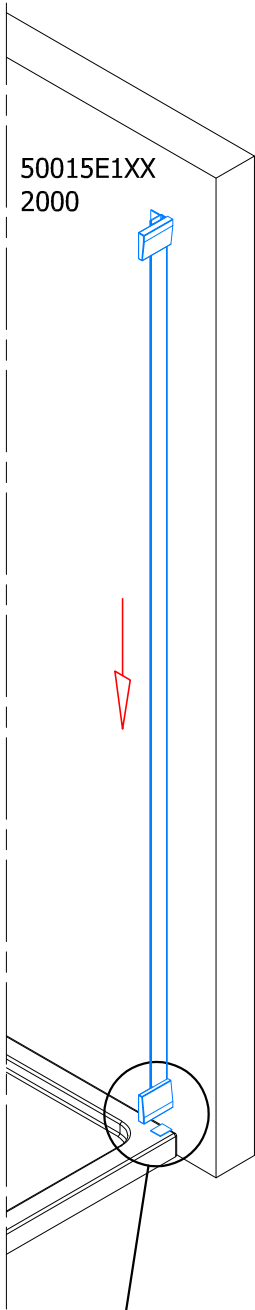


2.

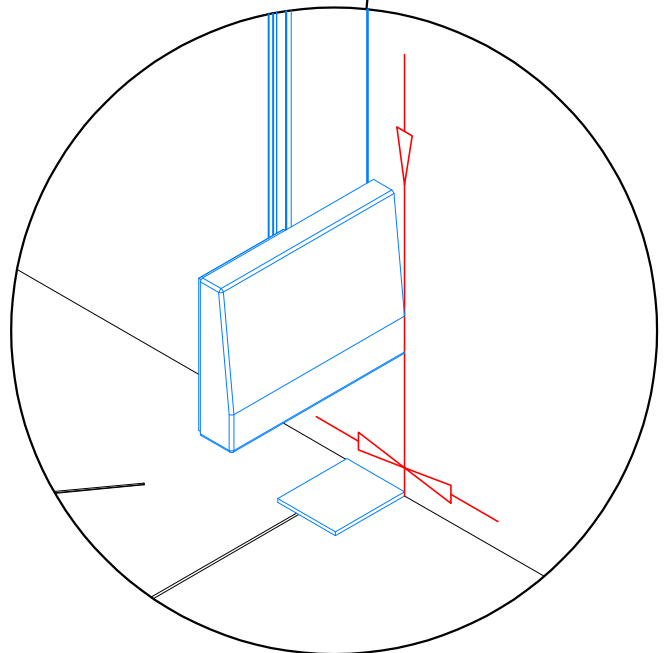
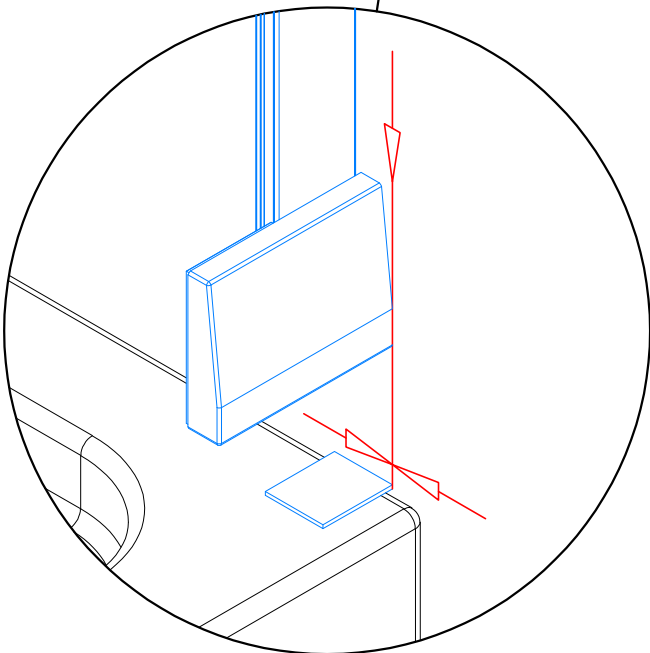
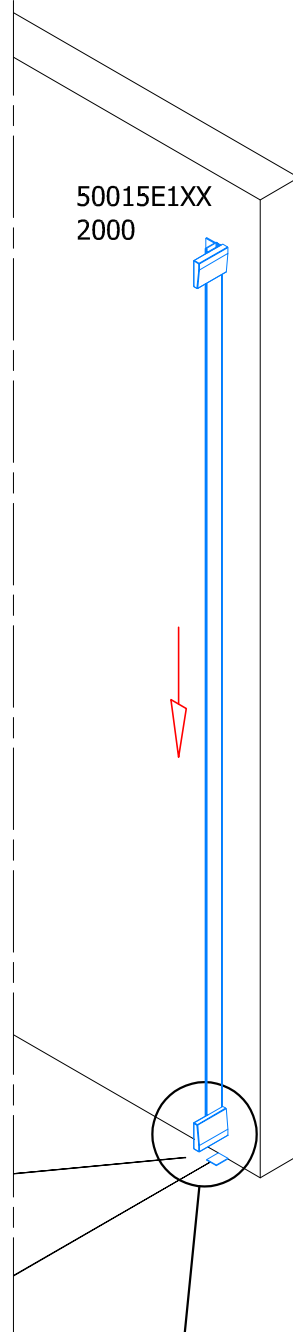


3.

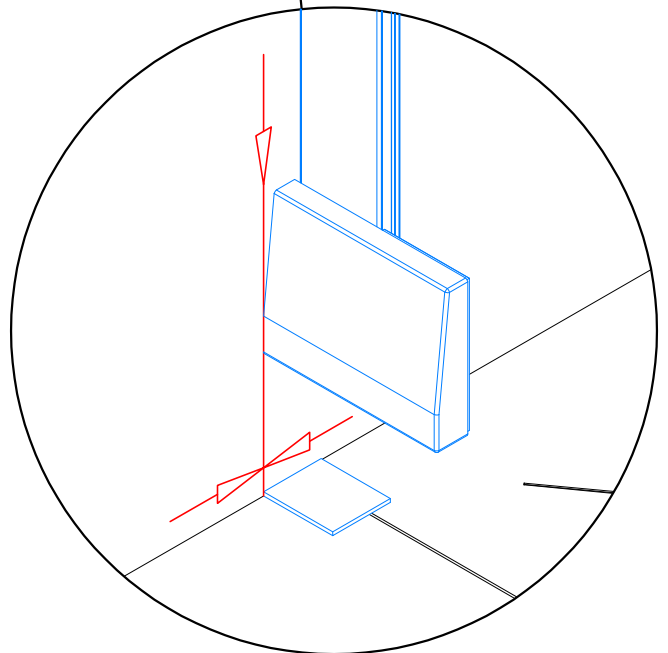
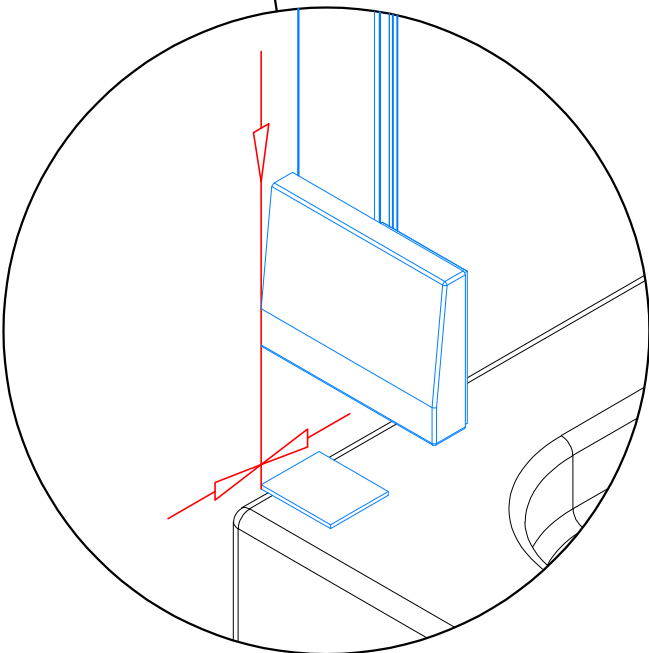
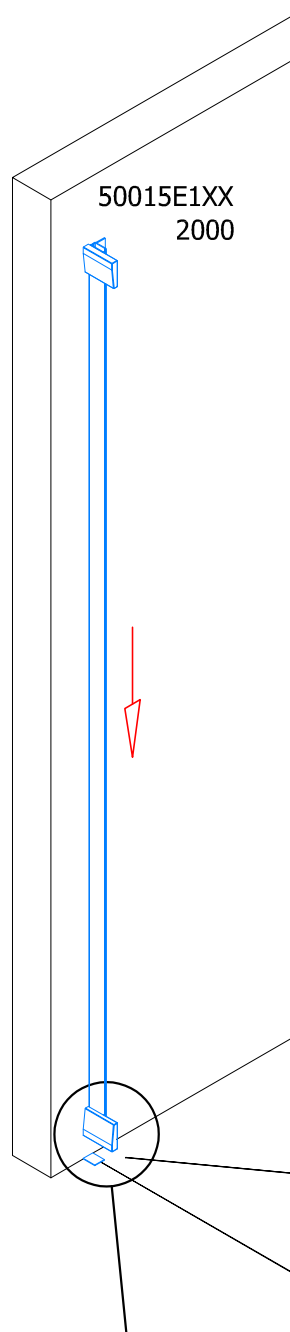
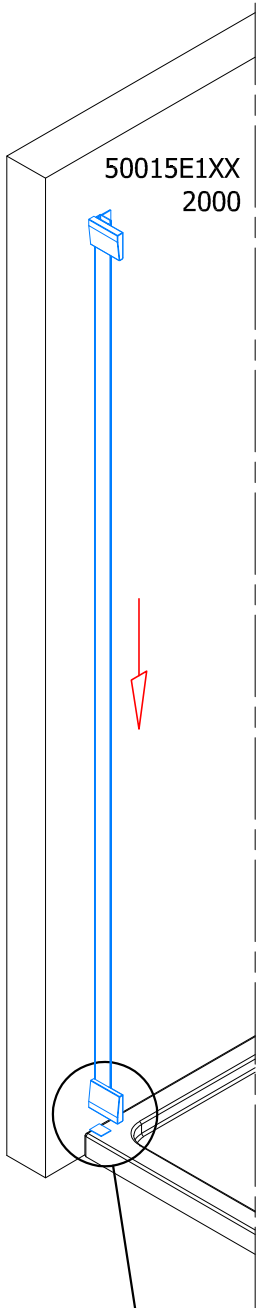
50015E1XX
2000



50015E1XX
2000

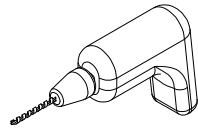


4.



5.1 → 5.3

5.2



2X $\phi 6\text{mm}$

5.3

50015E1XX2000

16000

14001

18mm

p.33

5.1

"X" mm

p.33

"X" mm

p.33

5.1

18mm

p.33

6.1 → 6.2

6.2

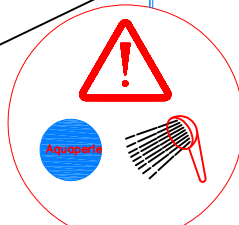
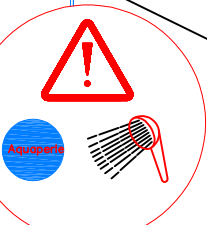
6.1

52105

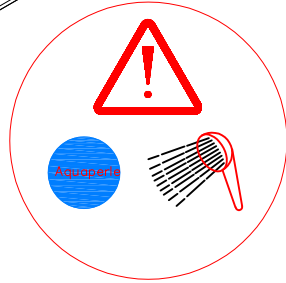
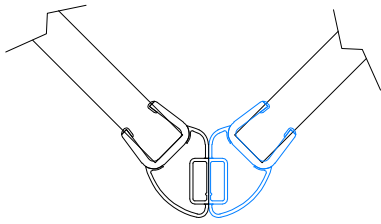
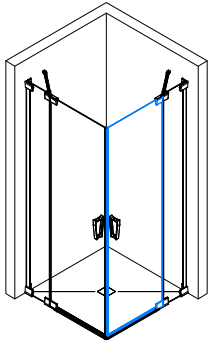
52105

2X 51600

2X 51600



7.1 → 7.5



7.3

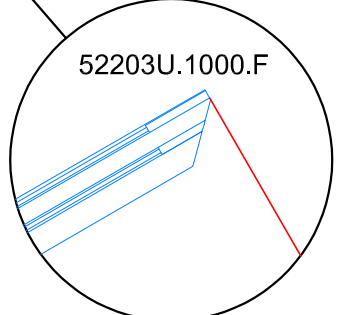
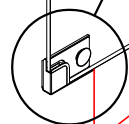
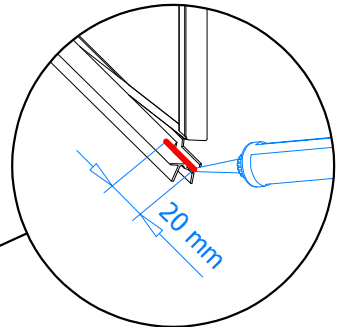
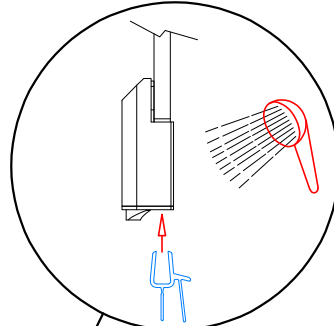
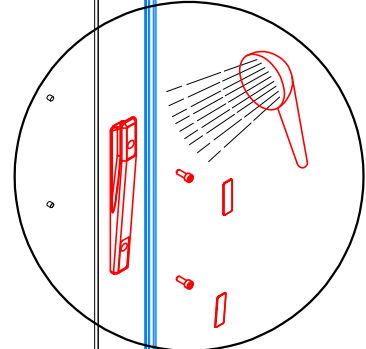
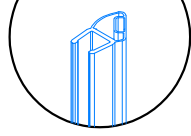
7.5

7.4

7.2

7.1

42352TR.1967



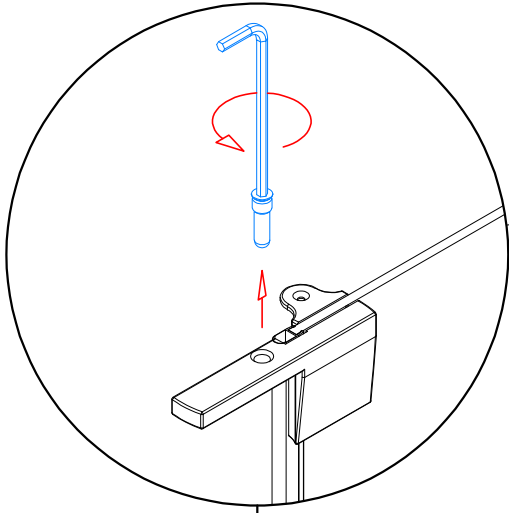
52203U.1000.F

"X"

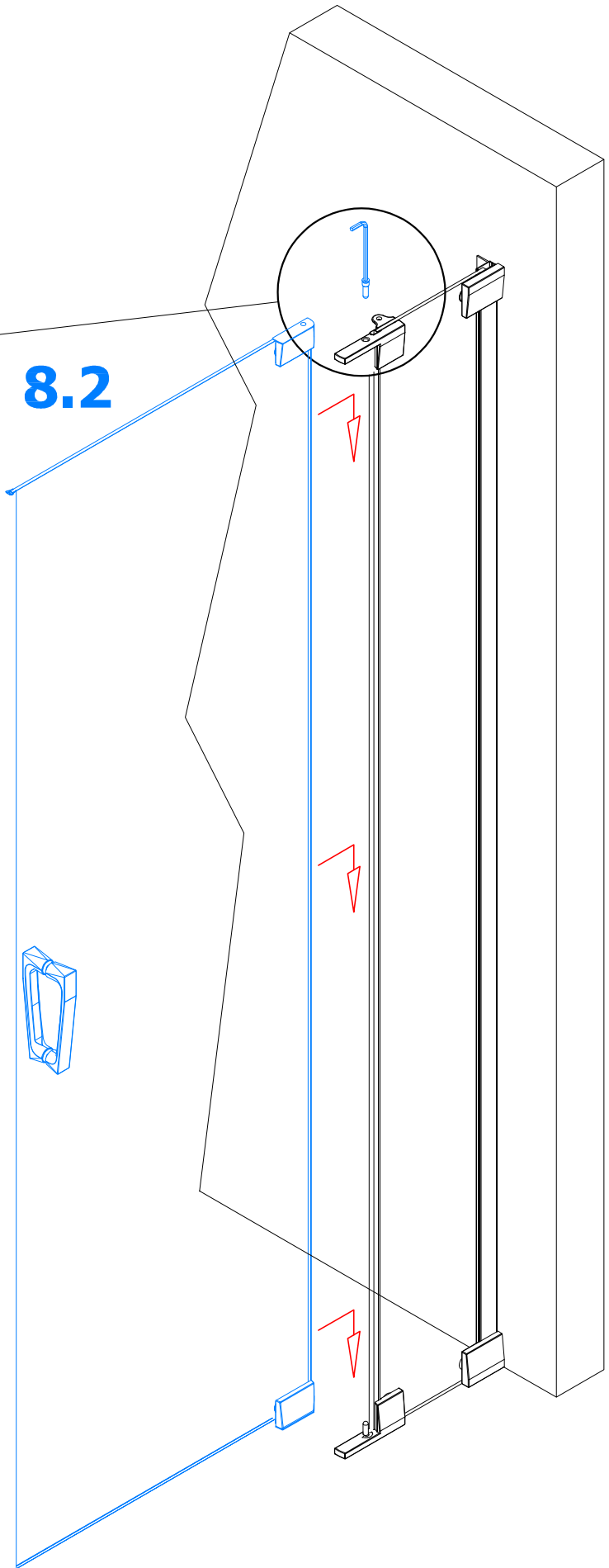
"X" + 10mm

8.1 → 8.3

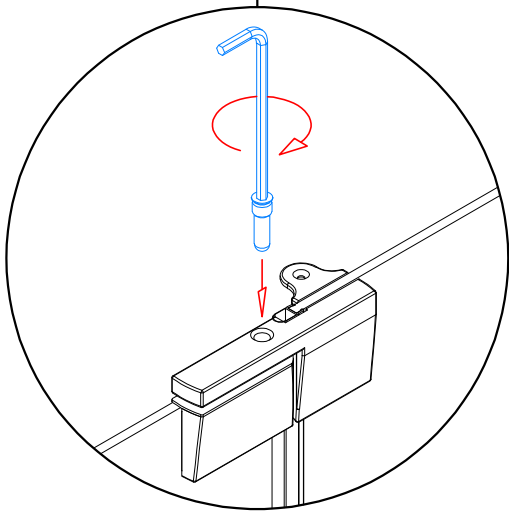
8.1



8.2



8.3



9.1 → 9.5

42352TL.1967

9.3

9.5

9.4

20 mm

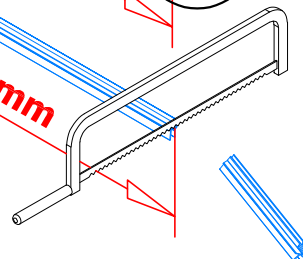
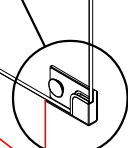
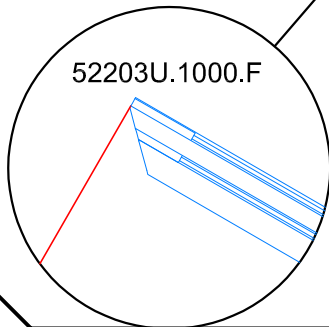
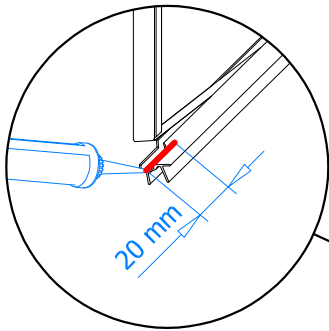
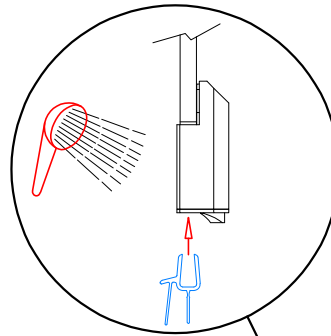
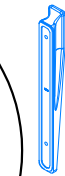
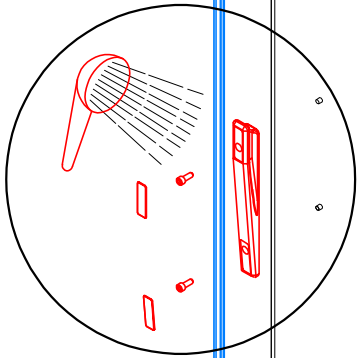
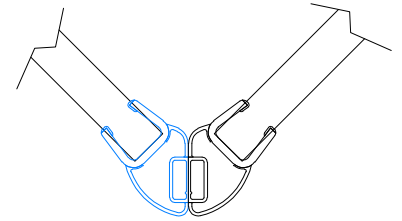
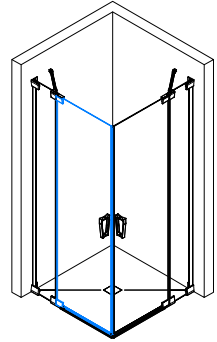
52203U.1000.F

9.2

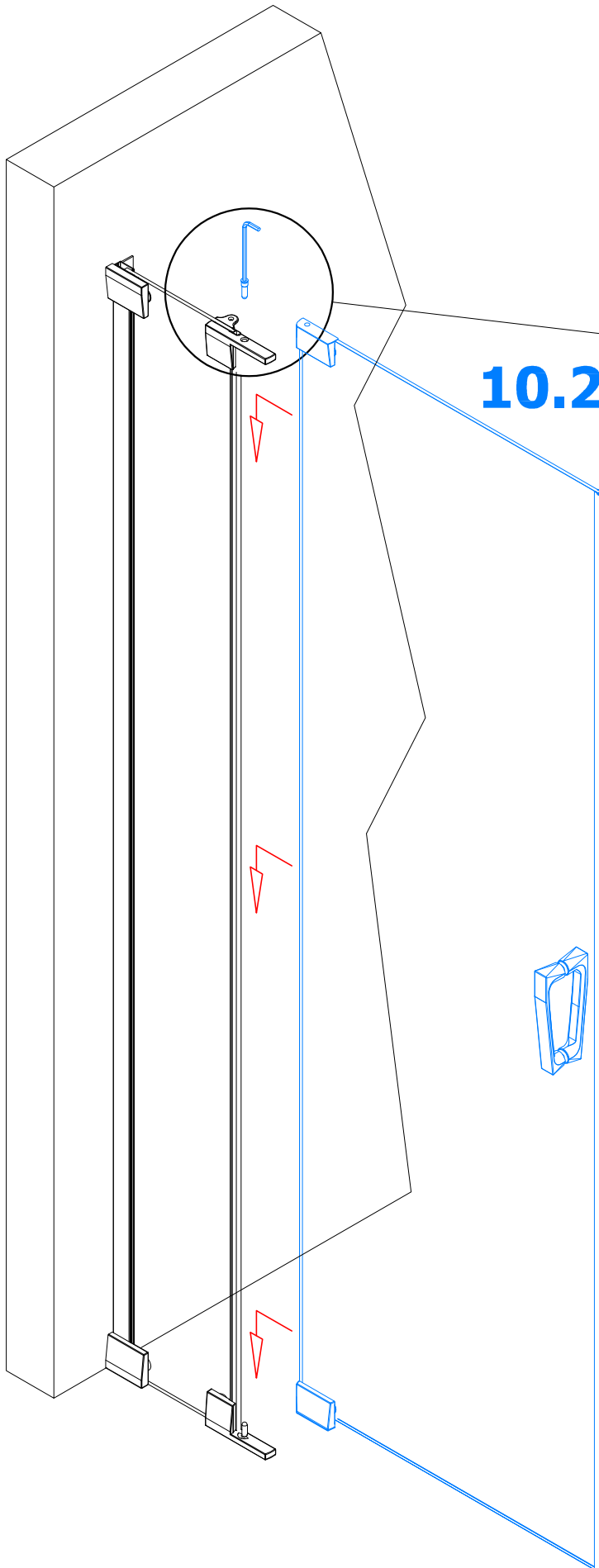
"X"

"X" + 10mm

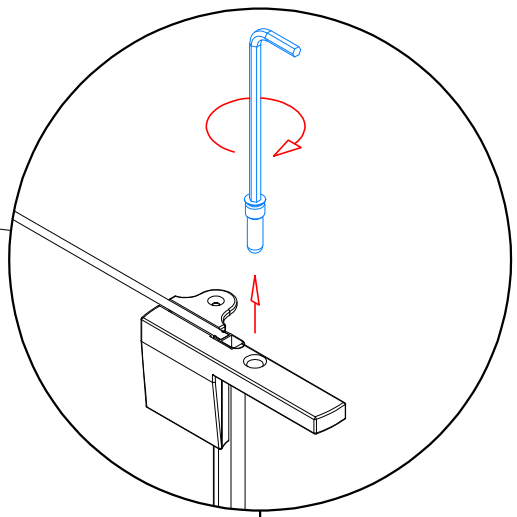
9.1



10.1 → 10.3

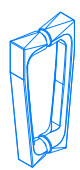
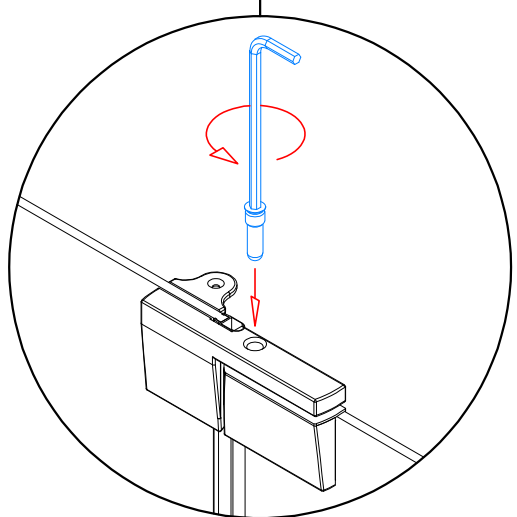


10.1



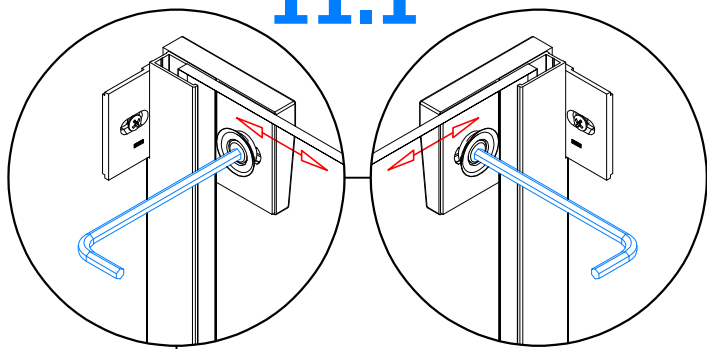
10.2

10.3

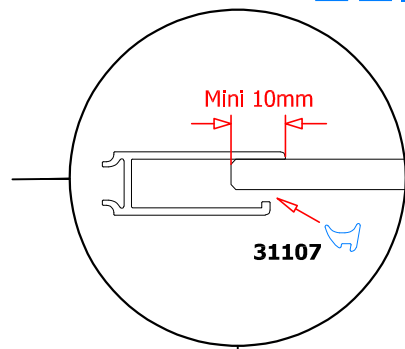


11.1 → 11.4

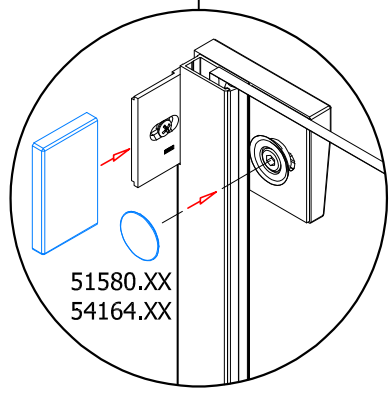
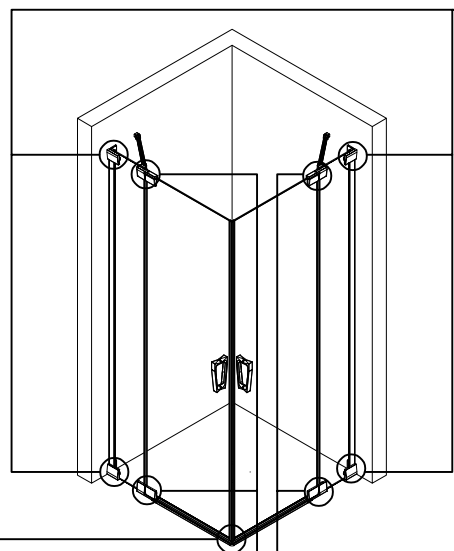
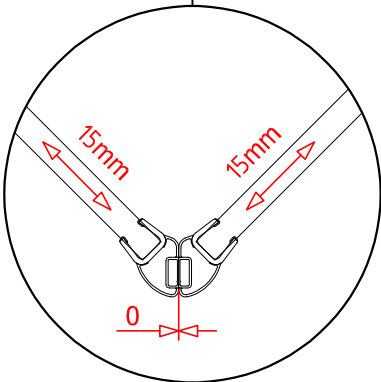
11.1



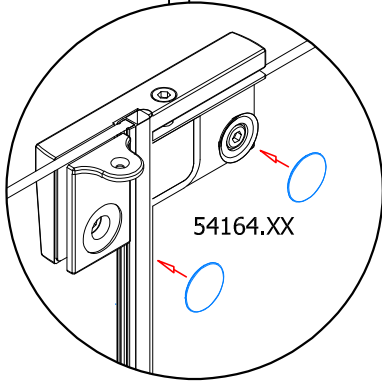
11.2



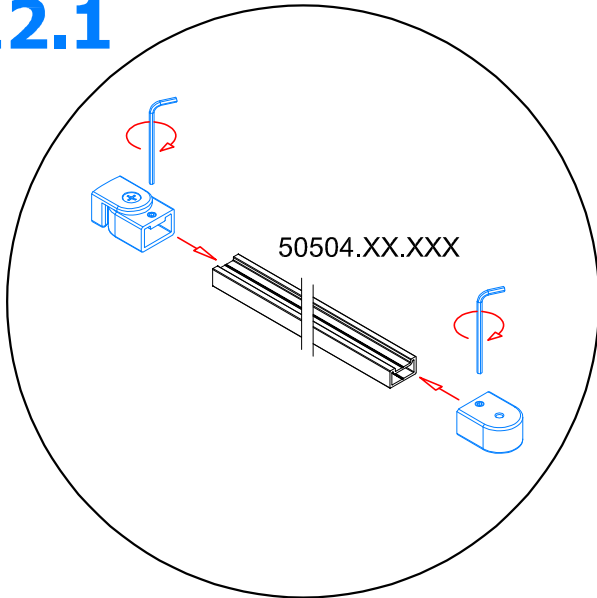
11.3



11.4

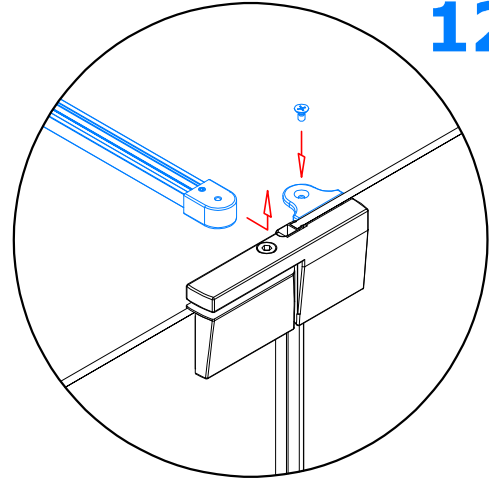


12.1

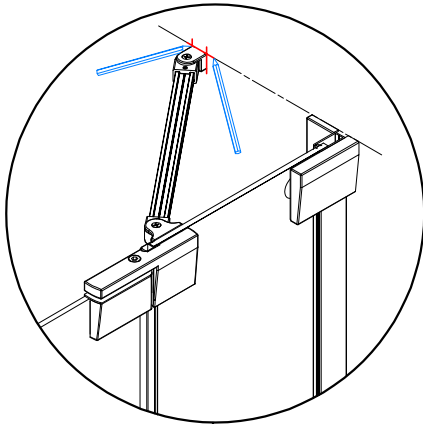


12.1 → 12.6

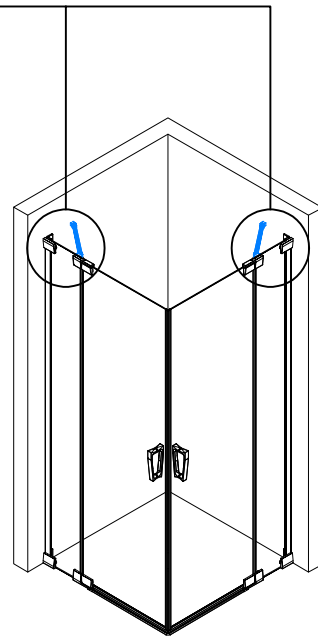
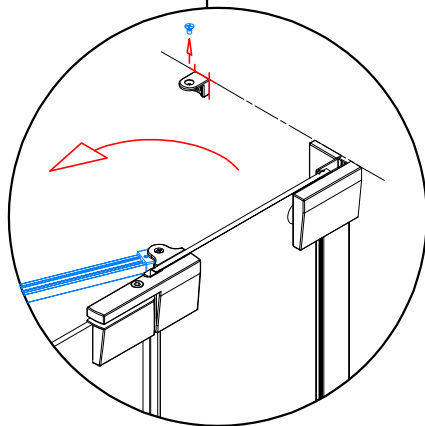
12.2



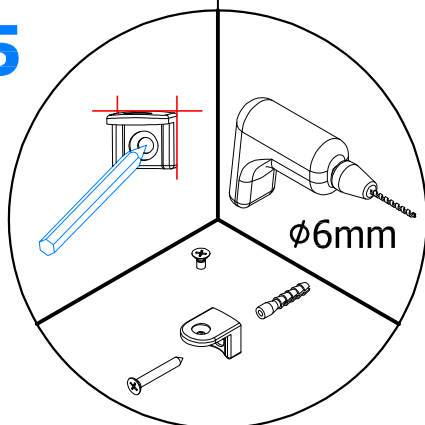
12.3



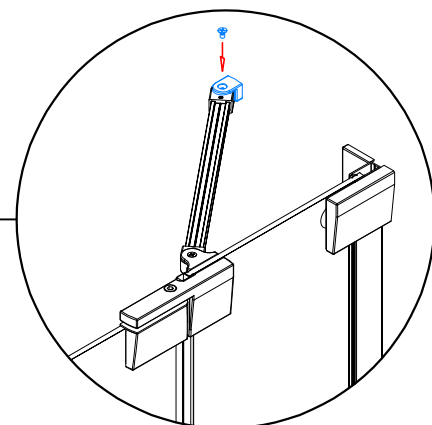
12.4



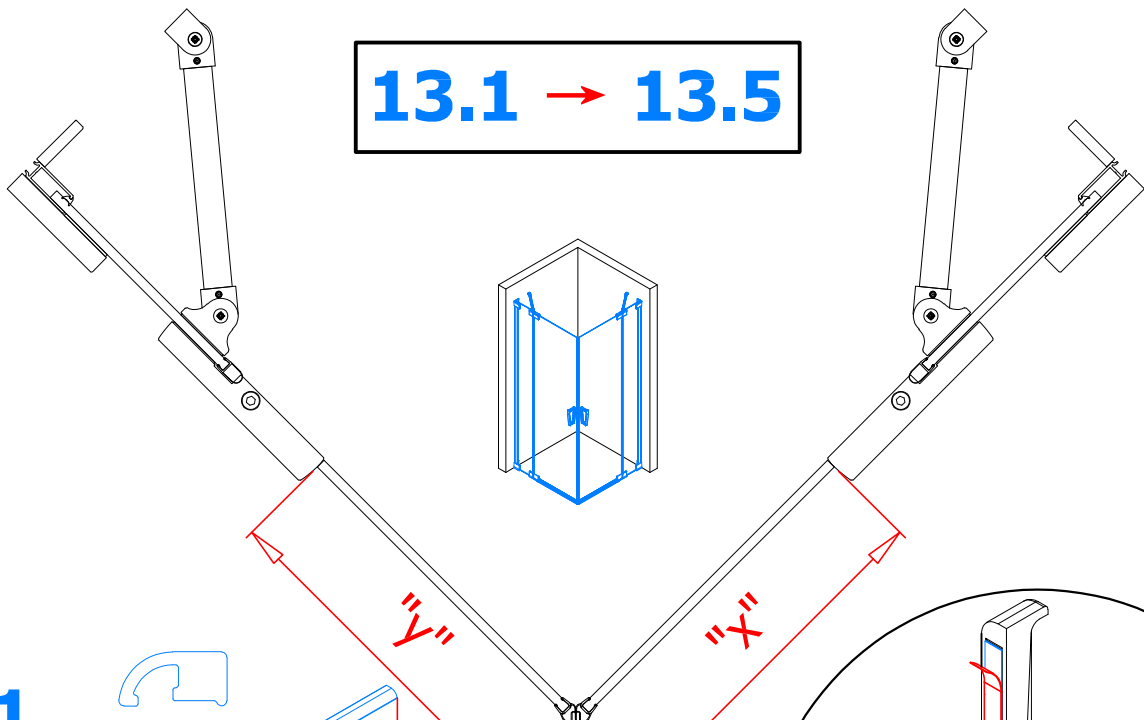
12.5



12.6

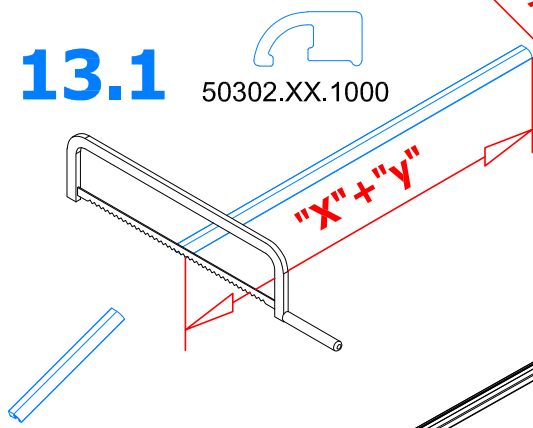


13.1 → 13.5



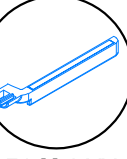
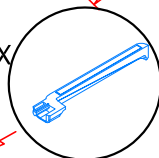
13.1

50302.XX.1000



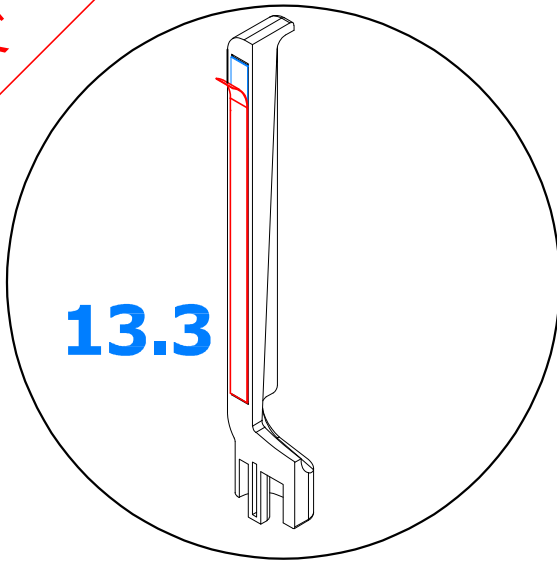
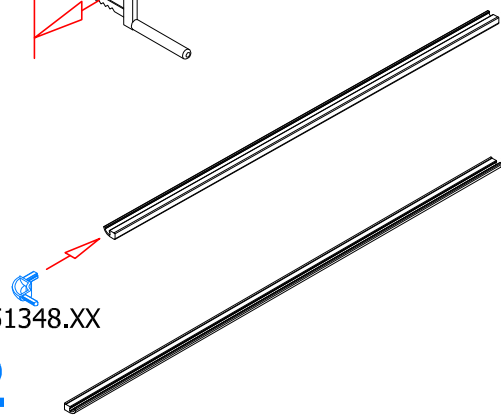
"X" + "Y"

51625.XX



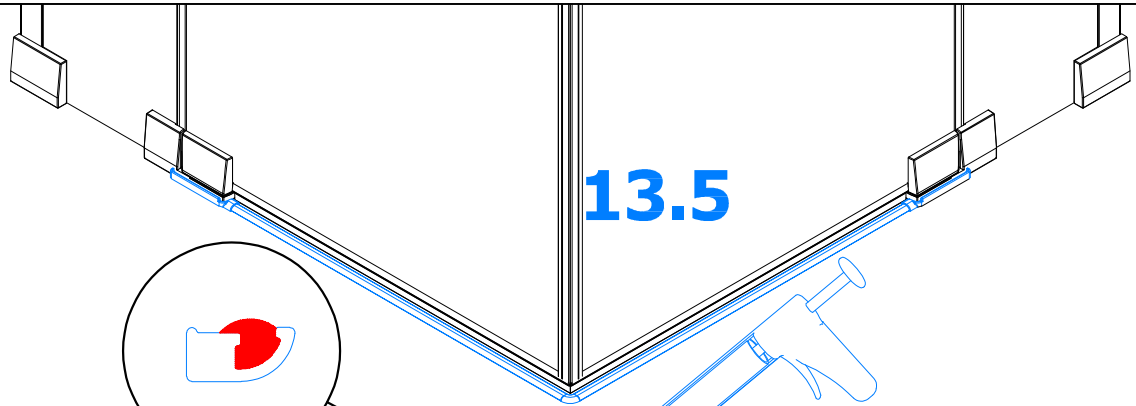
51624.XX

51348.XX

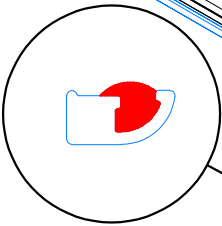


13.3

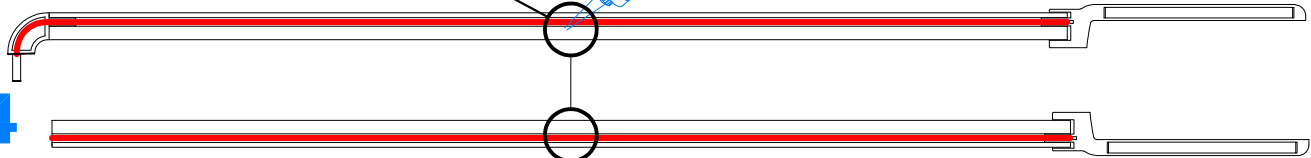
13.2



13.5



13.4



14.

