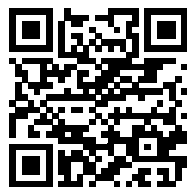
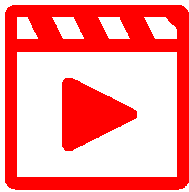


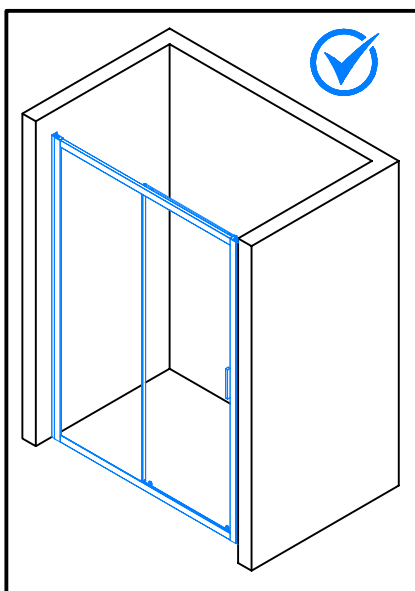
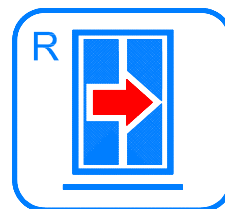
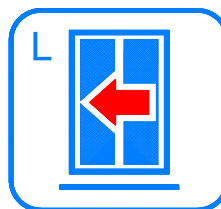
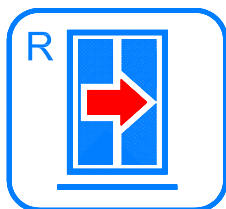
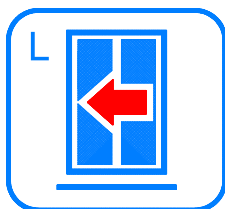
# 19884



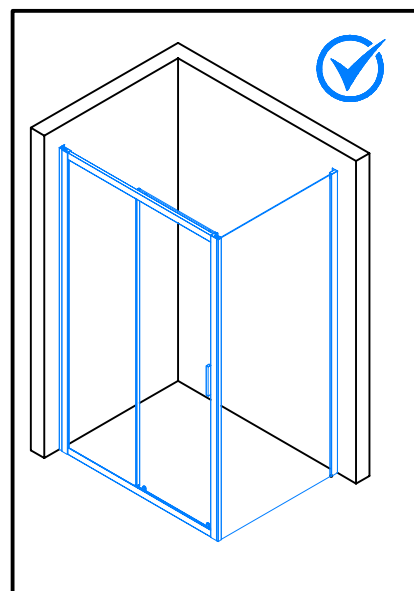
D21S2



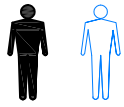
D21S2 + D21F1



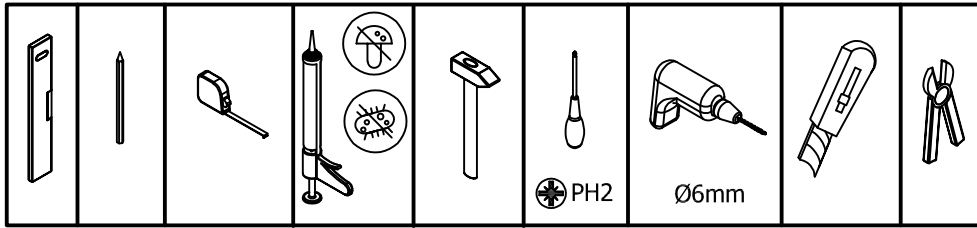
**P1. → P12.**



**P13. → P27.**

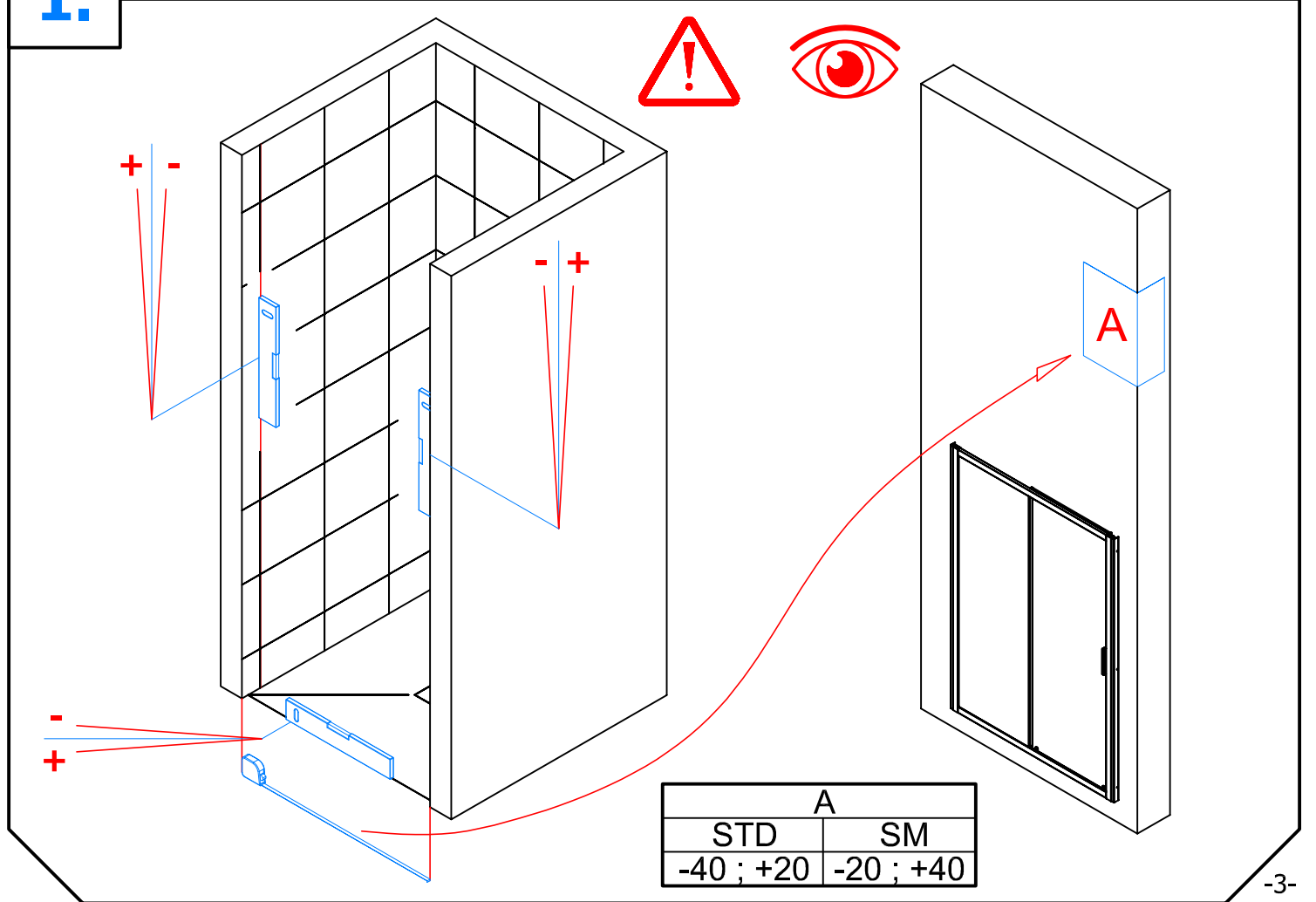
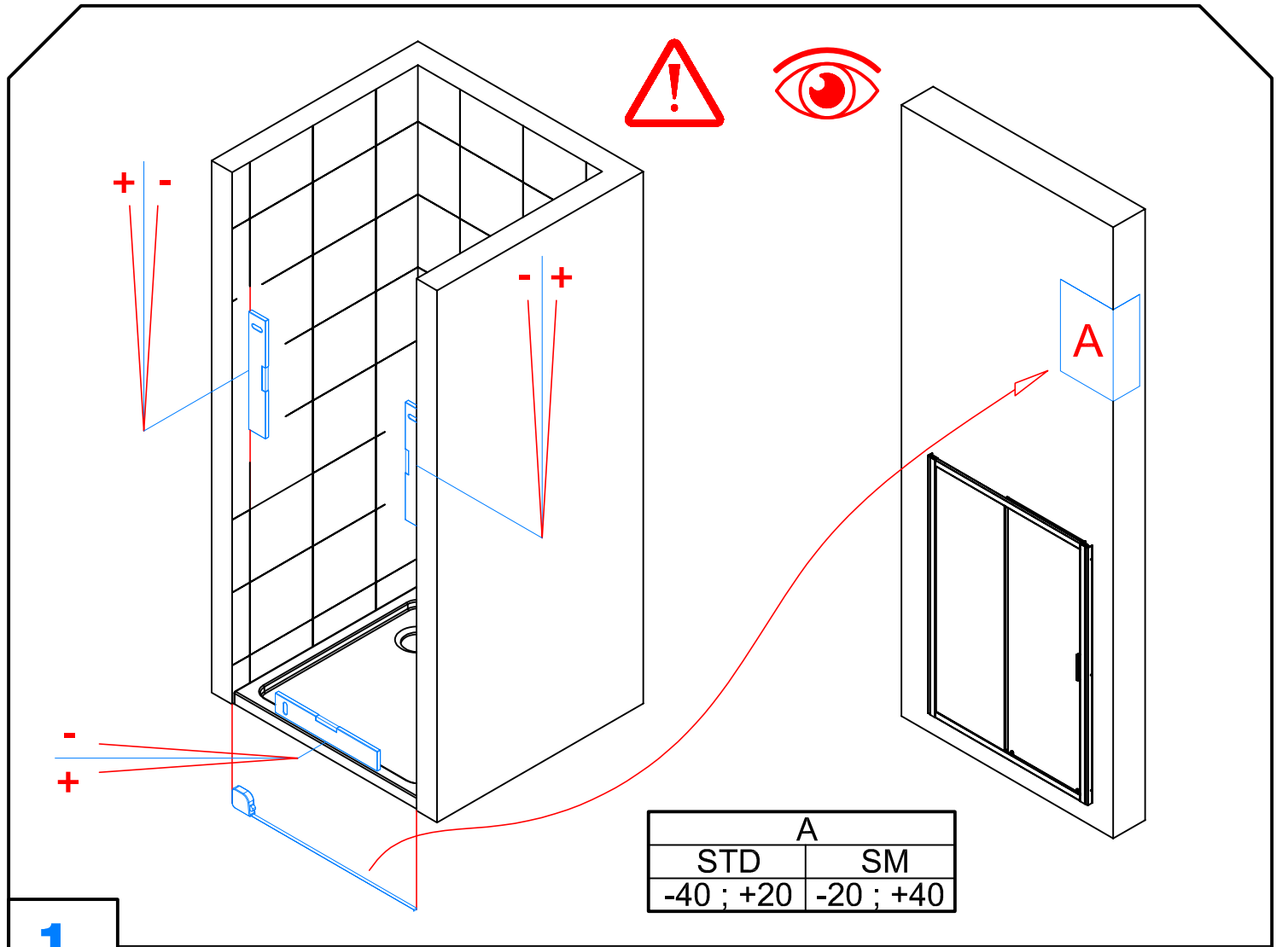


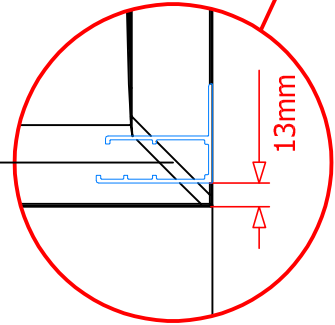
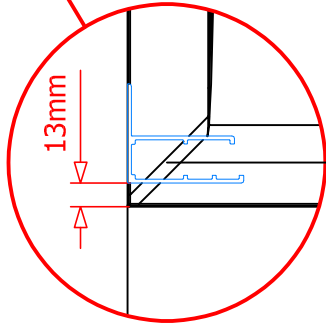
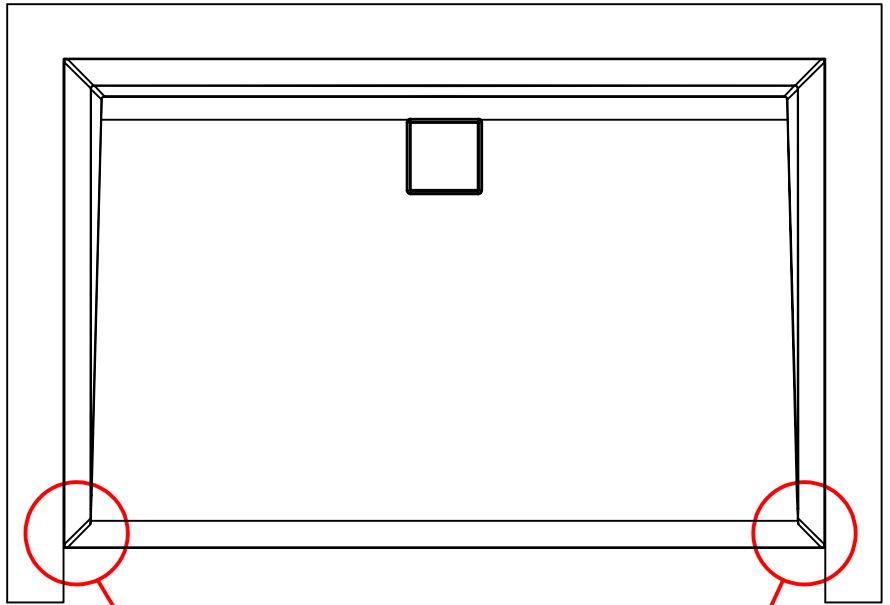
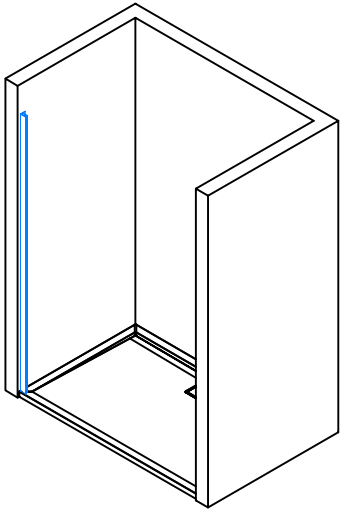
1X



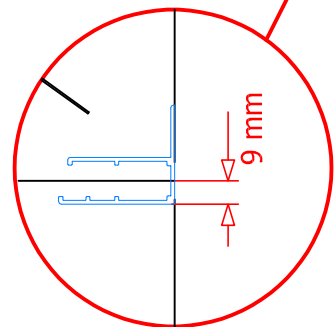
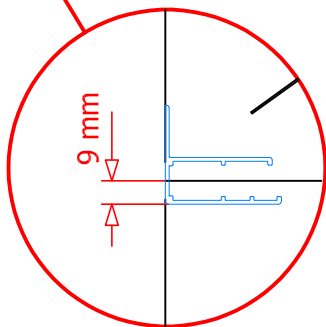
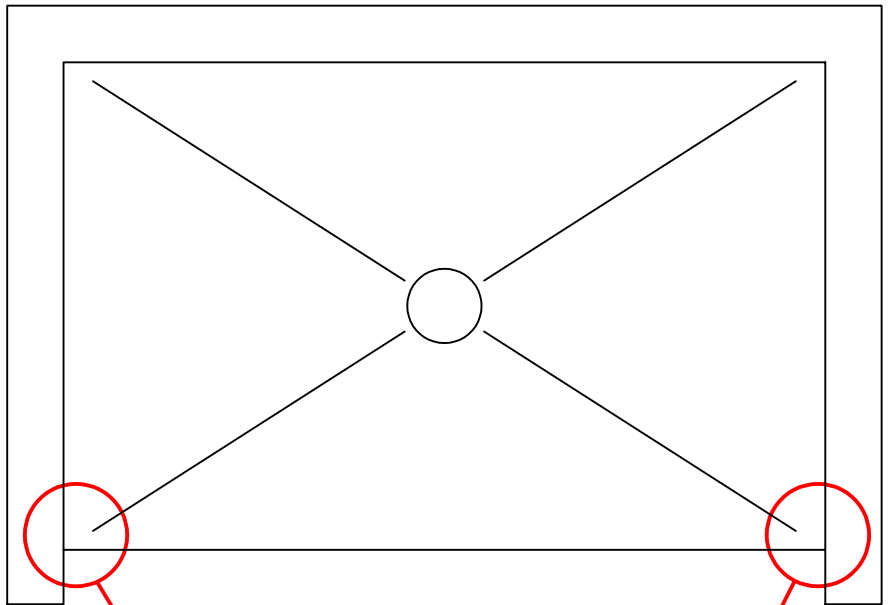
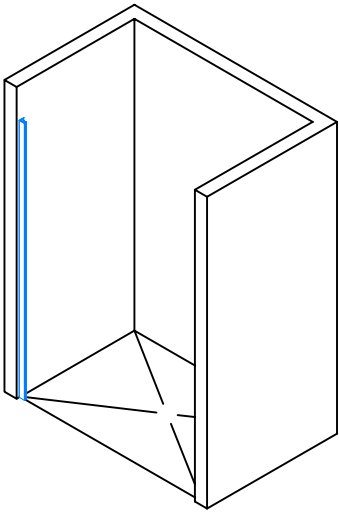
	<p>1X 42352TL.XXXX 1X 42352TR.XXXX</p>	<p>2X 80002F</p>	<p>1X 80401F1</p>	<p>2X 82025FXXXX 2X 82025.XXXX</p>	
	<p>80602E2XX.XXXX</p>		<p>82212.XXXX</p>		
	<p>80602E1XX.XXXX</p>				

	<p>6 x 16000 Ø 6mm</p>	<p>6 x 14295 4.2 X 32mm</p>	<p>4 x 81393.XX</p>	<p>2 x MT8004.XX</p>	<p>2 x MT8002.XX</p>	
	<p>2 x 14196 3.5 X 13mm</p>	<p>8 x 14016 3.5 X 25mm</p>	<p>2 x 81121.XX</p>	<p>2 x 81125.XX</p>	<p>1 x 81376</p>	
	<p>6 x 81253</p>	<p>6 x 81254.XX</p>	<p>1 x 11221</p>			<p>1 x 81377</p>

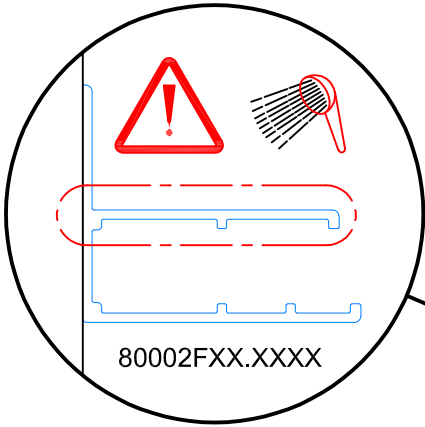




2. 

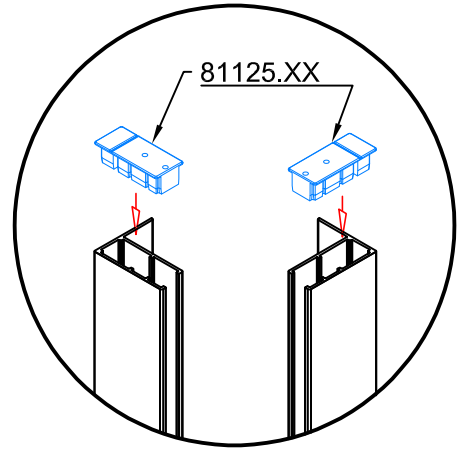
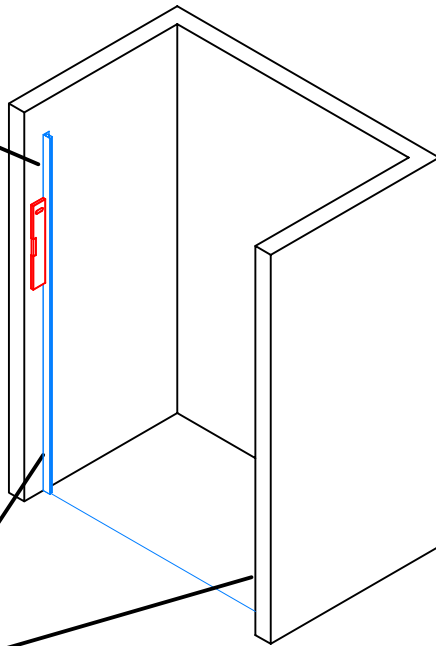


**3.1 → 3.4**

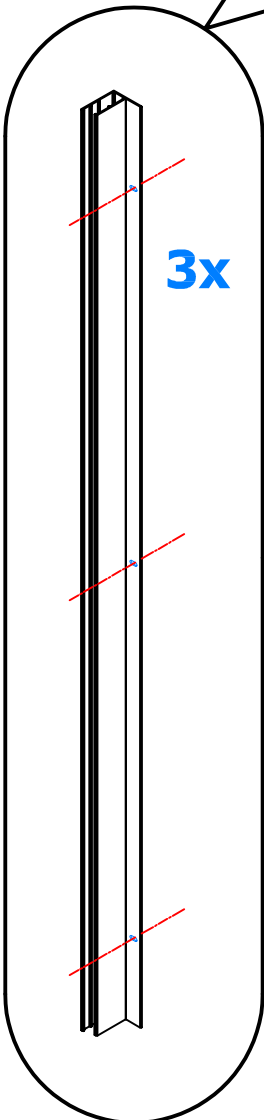


**3.1**

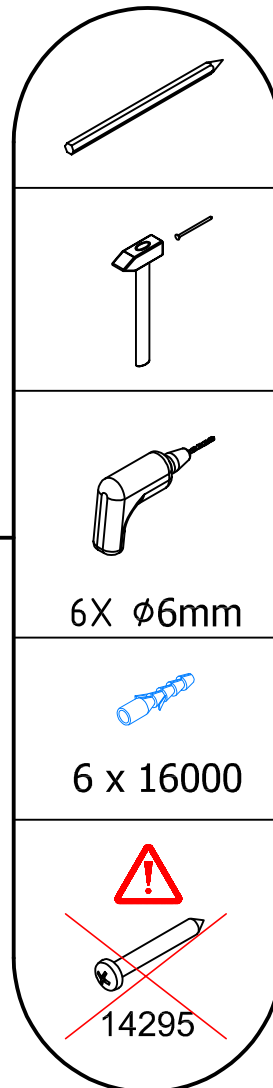
**3.2**



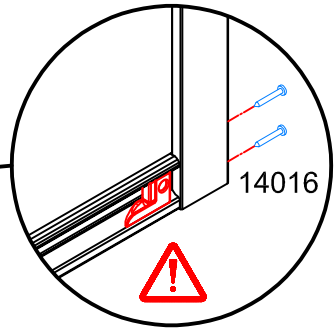
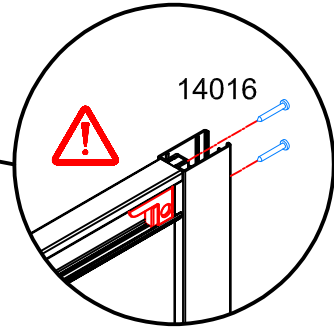
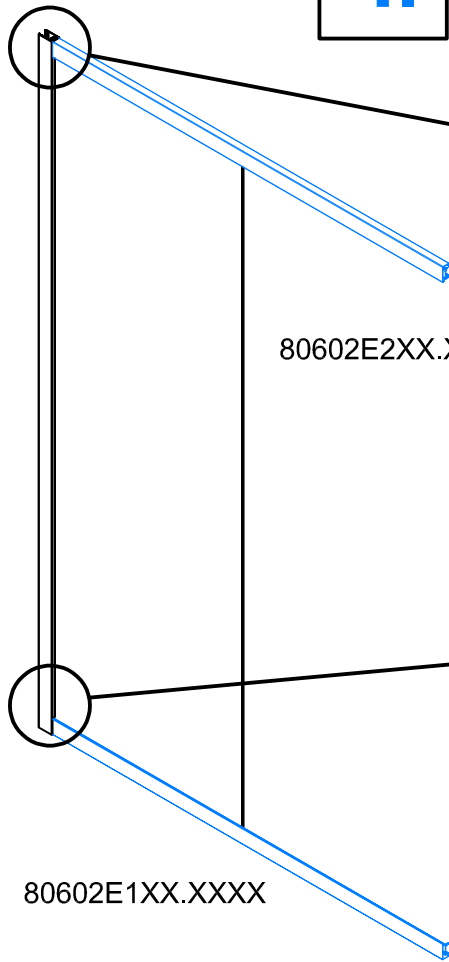
**3.4**



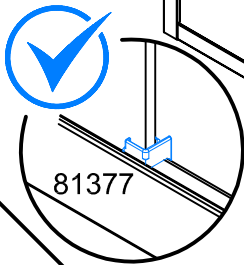
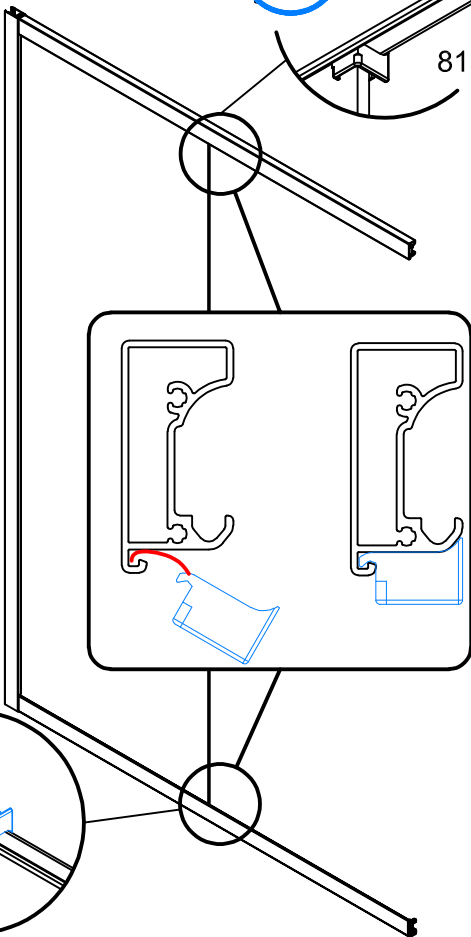
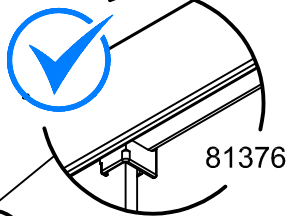
**3.3**



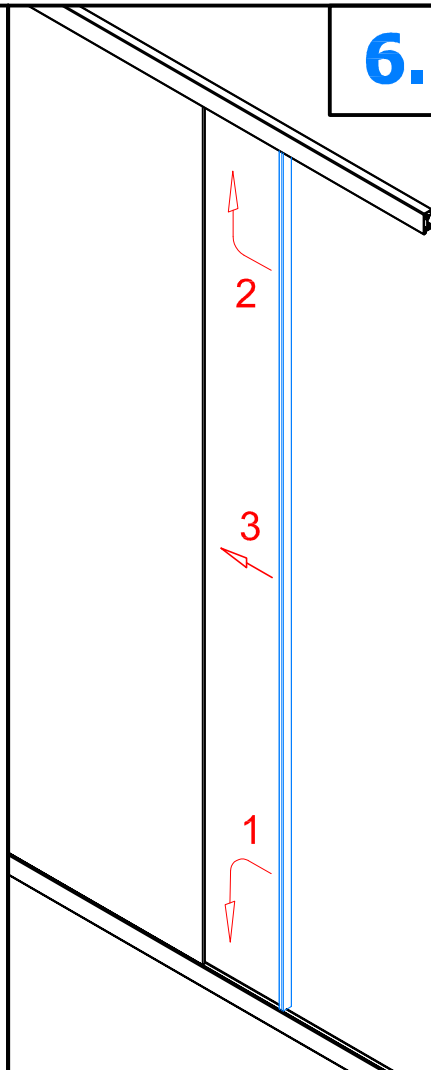
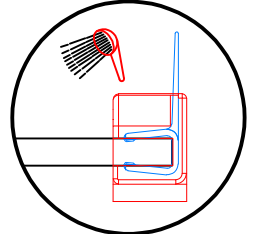
4.



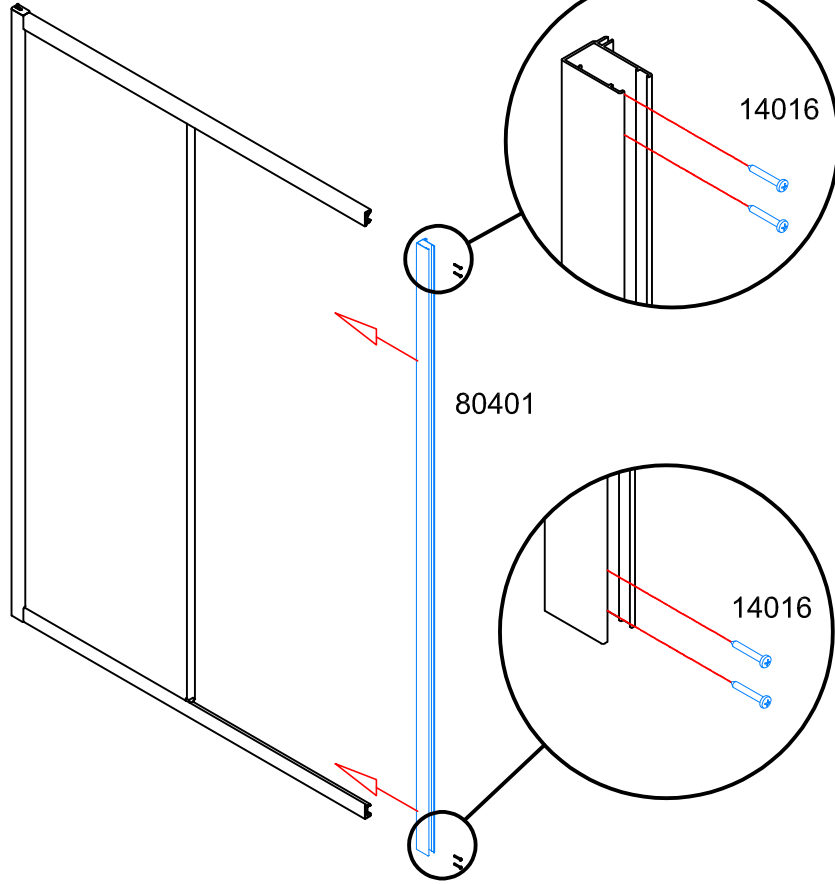
5.



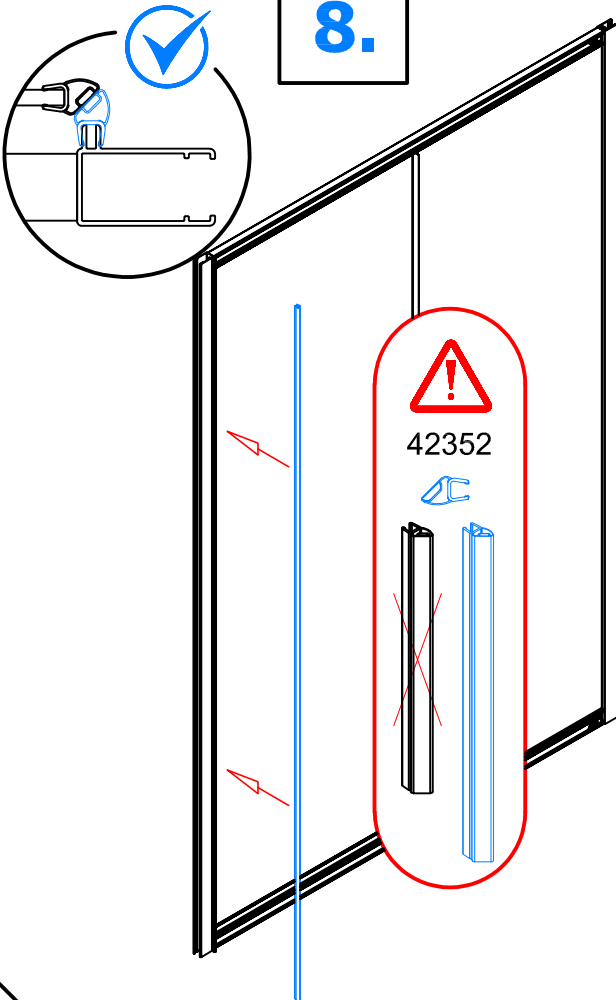
6.



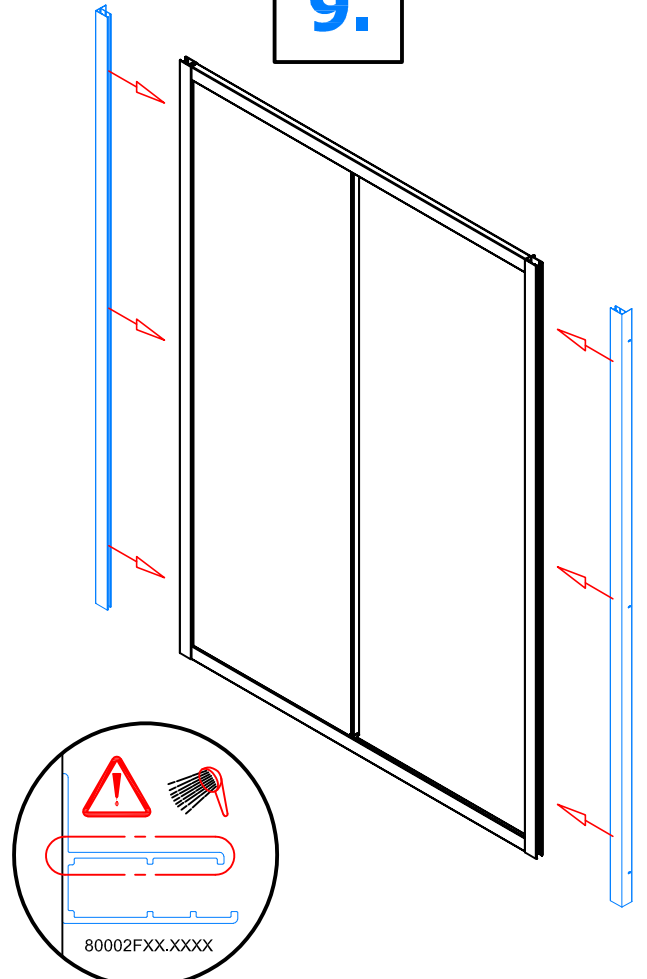
7.



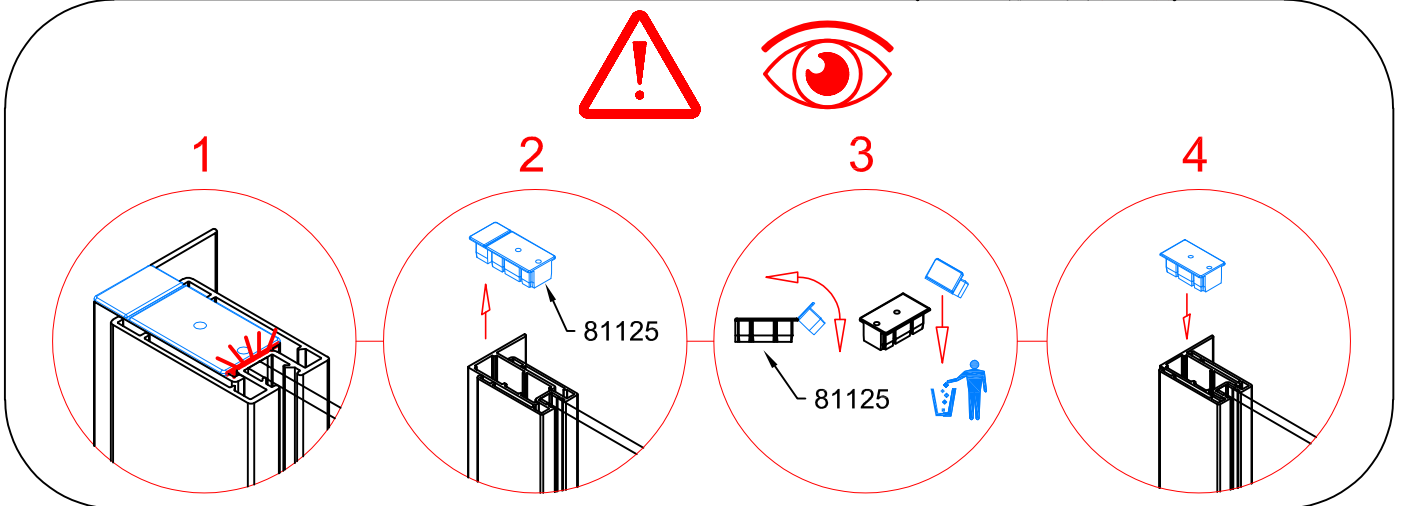
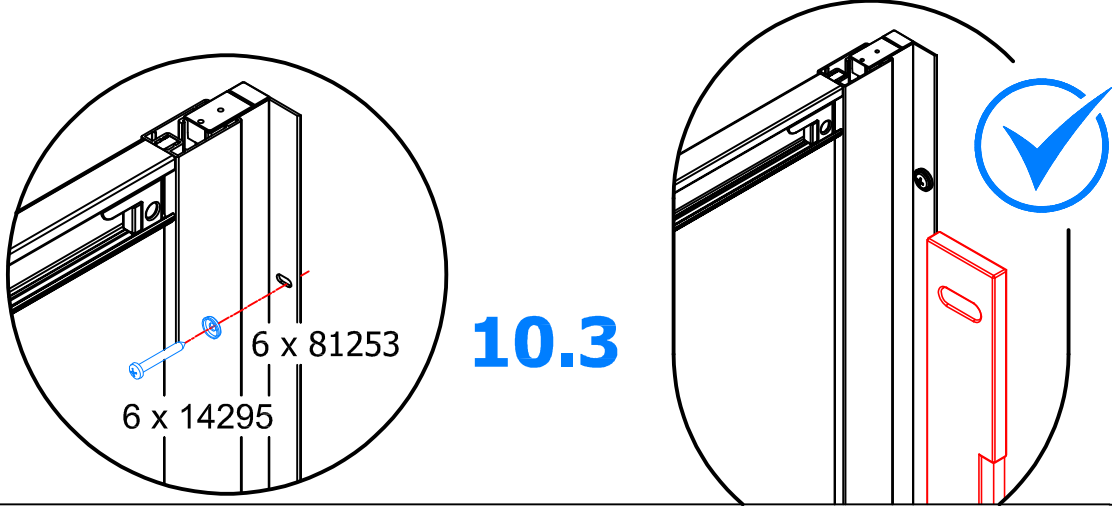
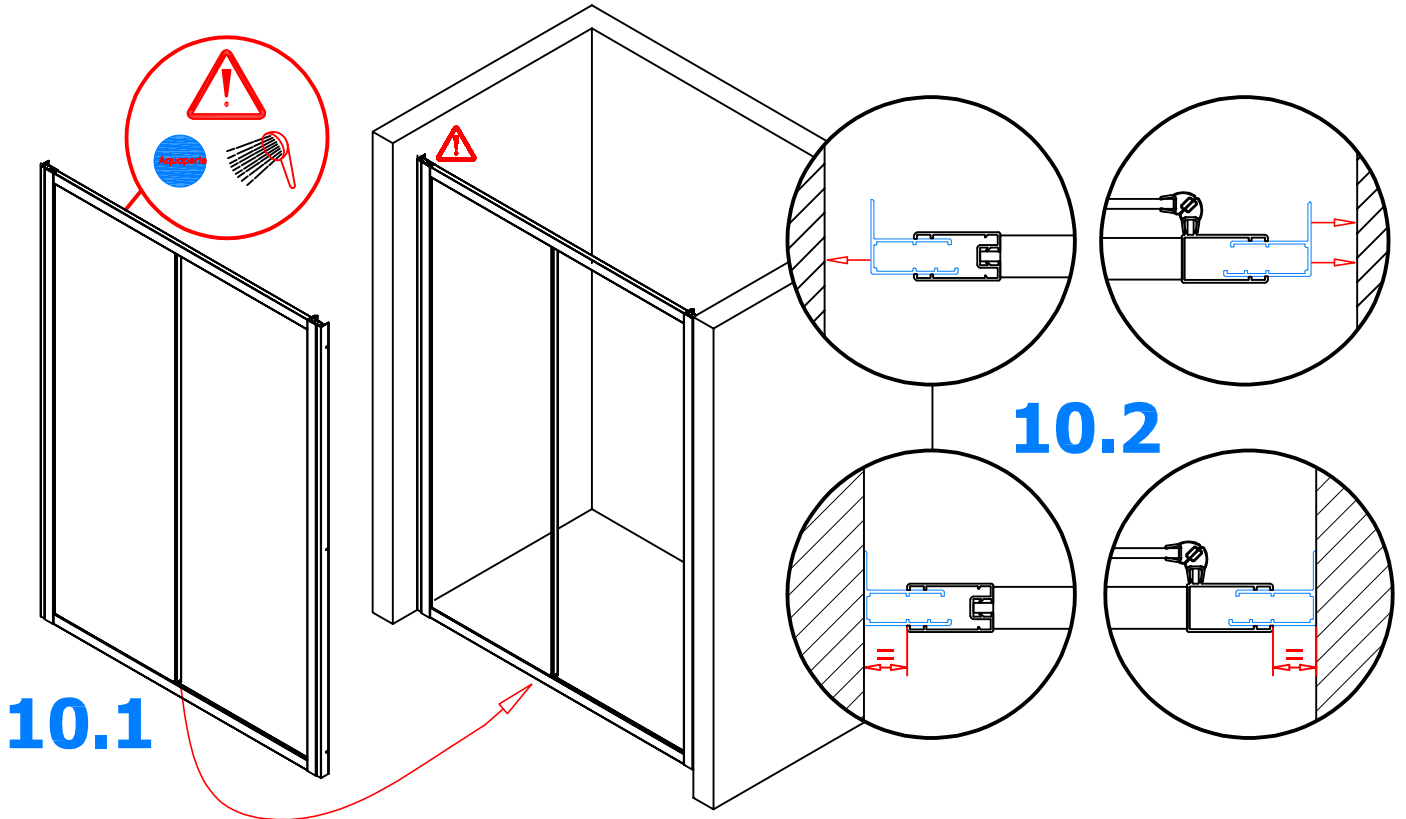
8.



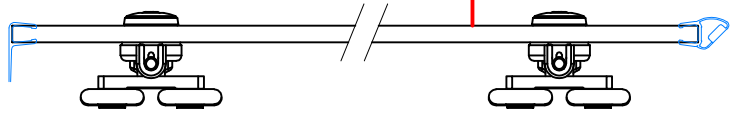
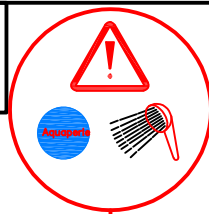
9.



10.1 → 10.3

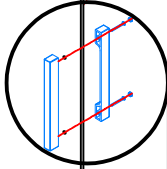


**11.1 → 11.4**

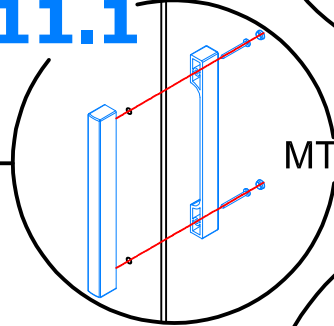


2xMT8004.XX  
+81393

**11.2**



**11.1**



MT0519.XX

2xMT8002.XX  
+81393

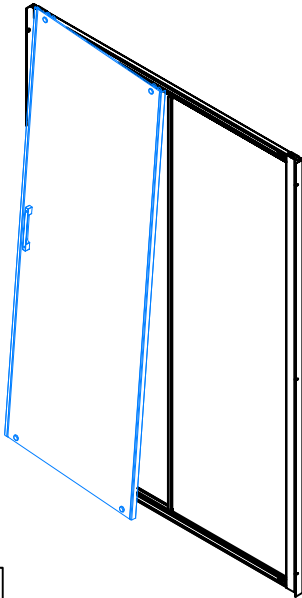
**11.3**

82025

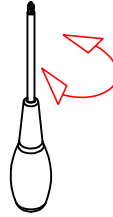
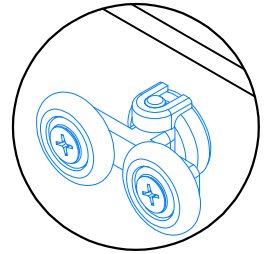
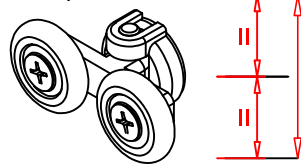
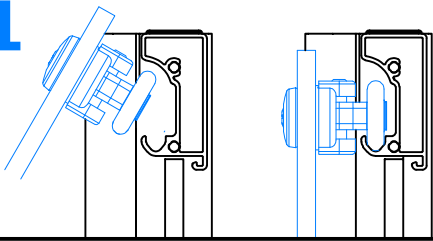
**11.4**

42352

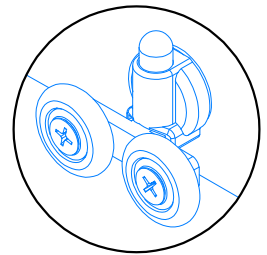
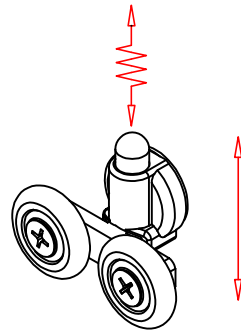
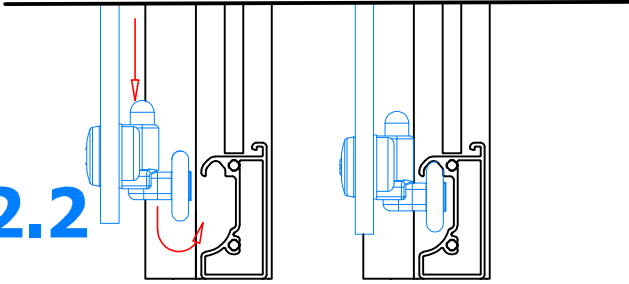
# 12.1 → 12.2



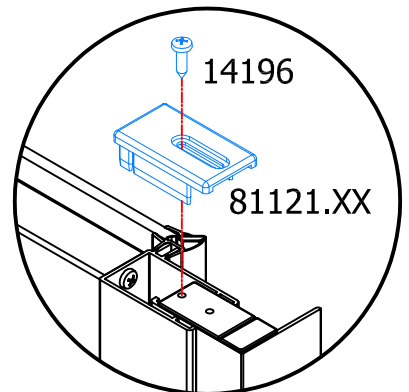
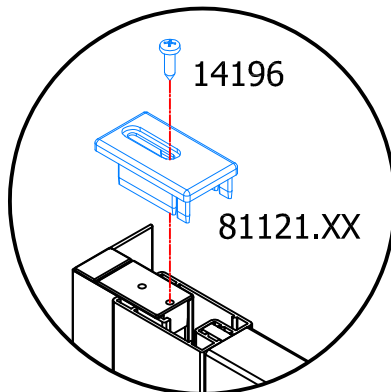
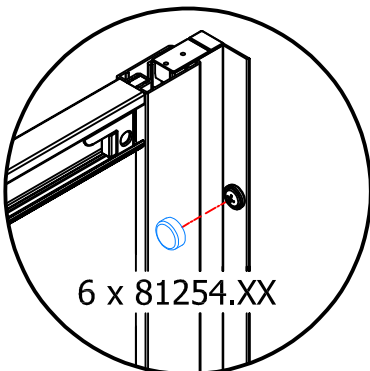
## 12.1



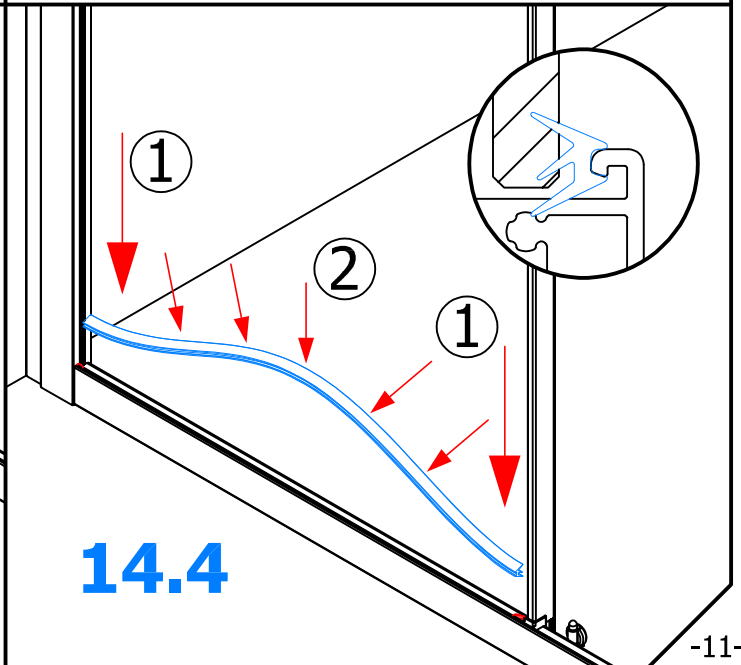
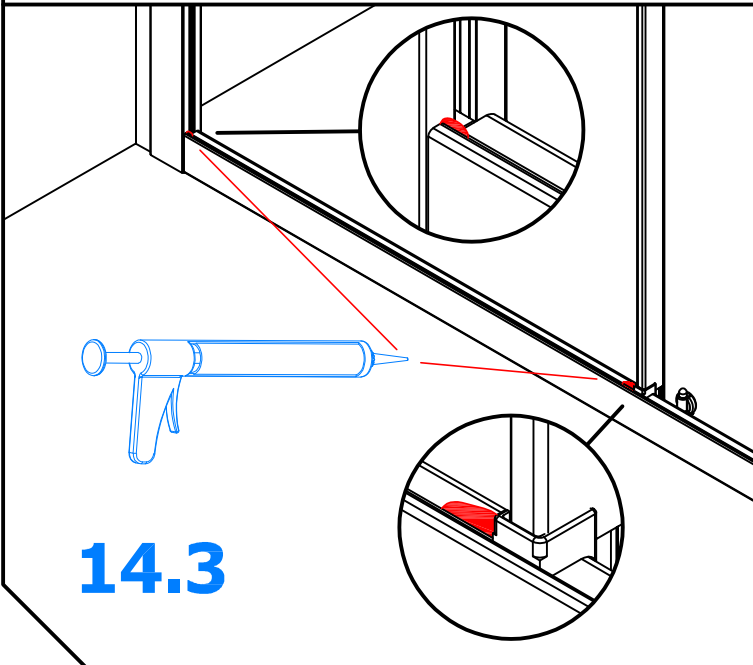
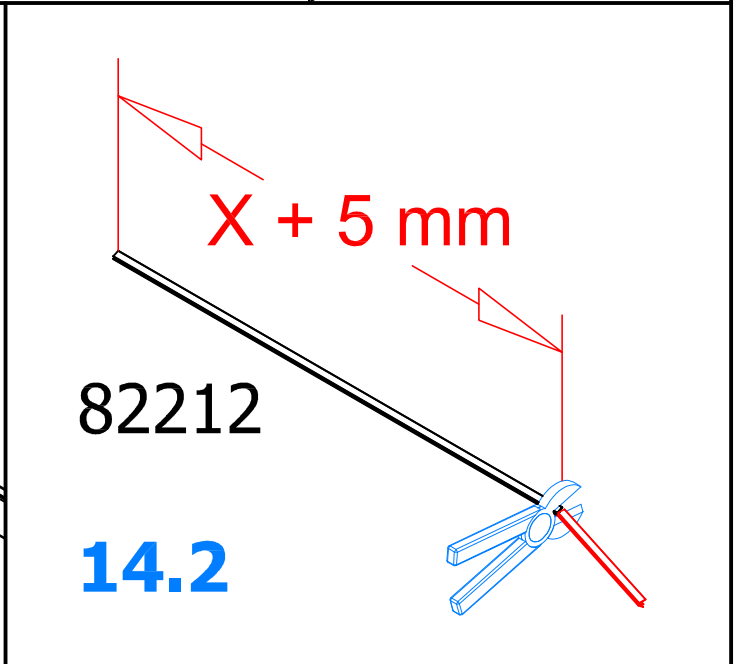
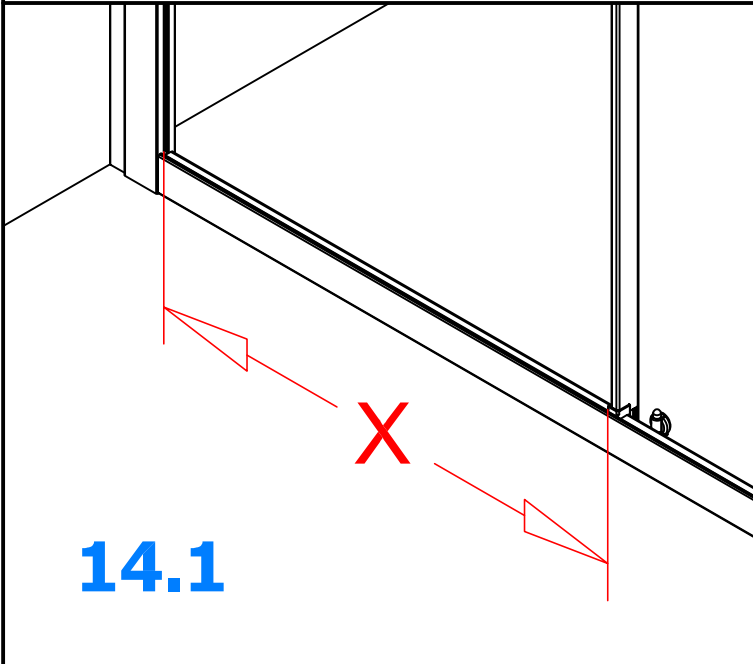
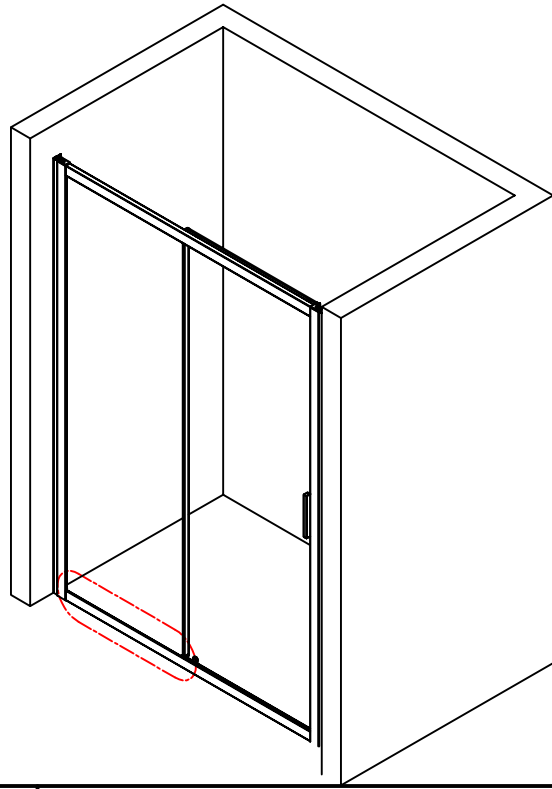
## 12.2



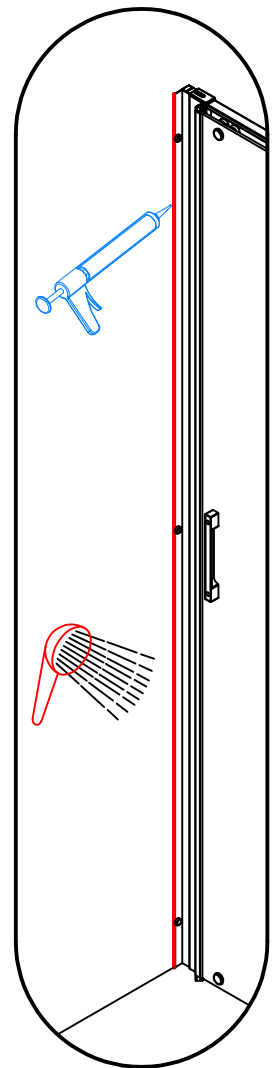
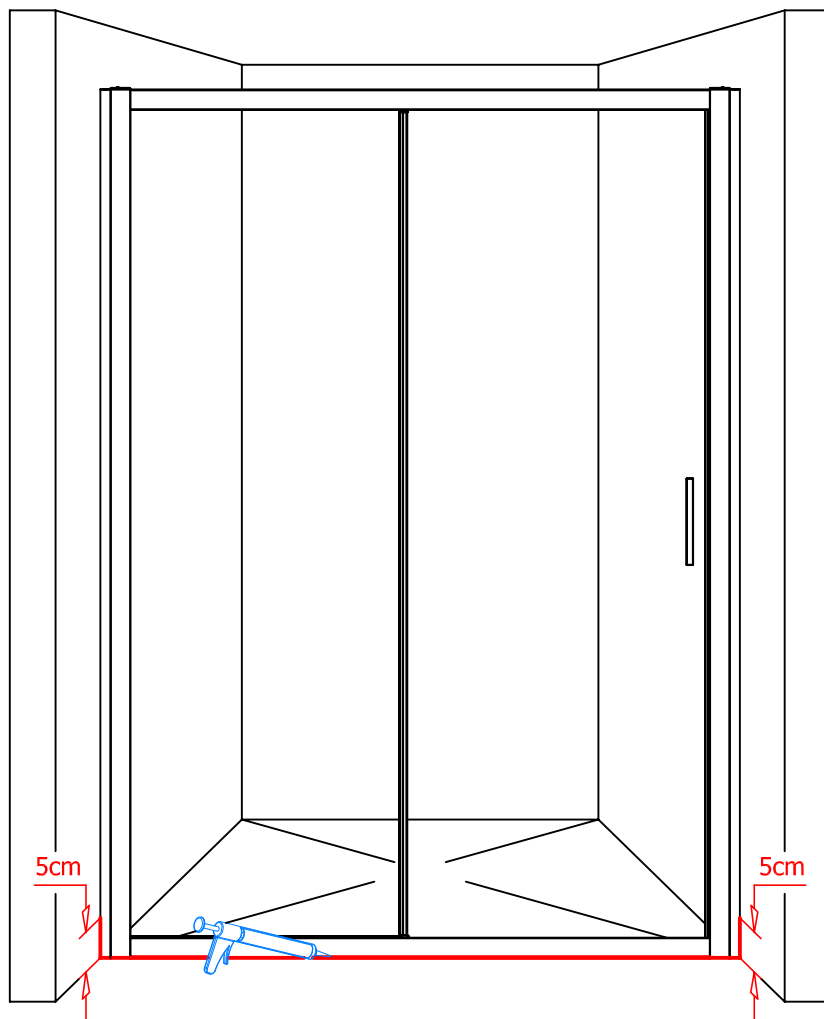
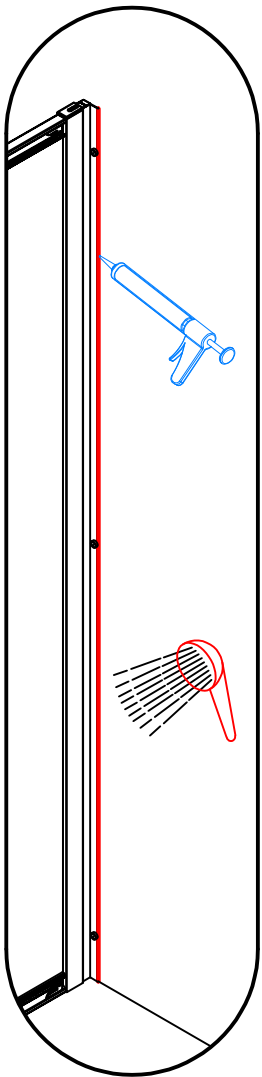
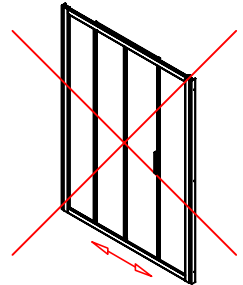
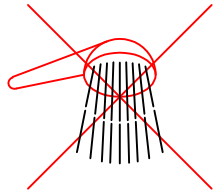
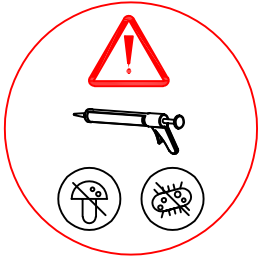
## 13.



**14.1 → 14.4**

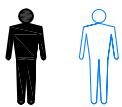
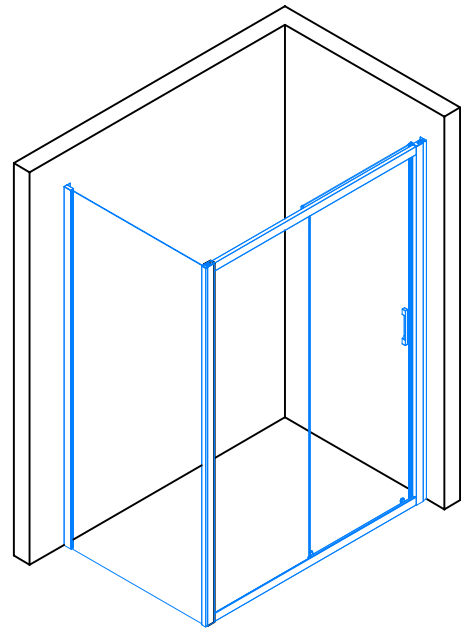
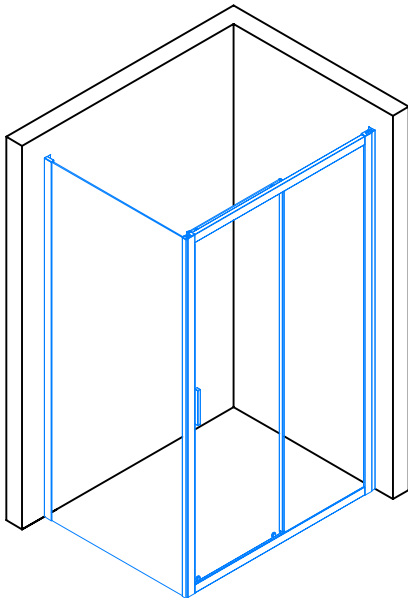
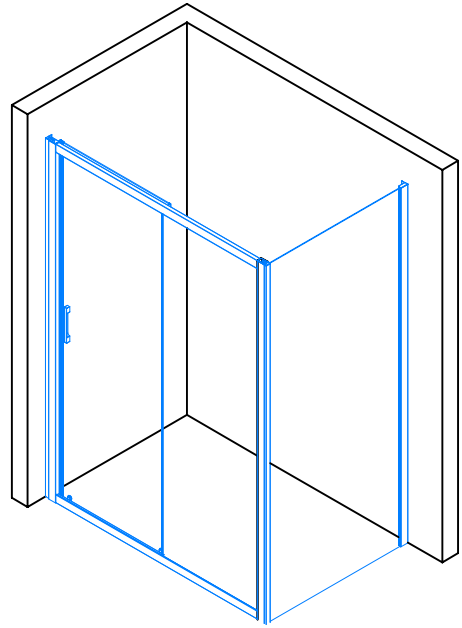
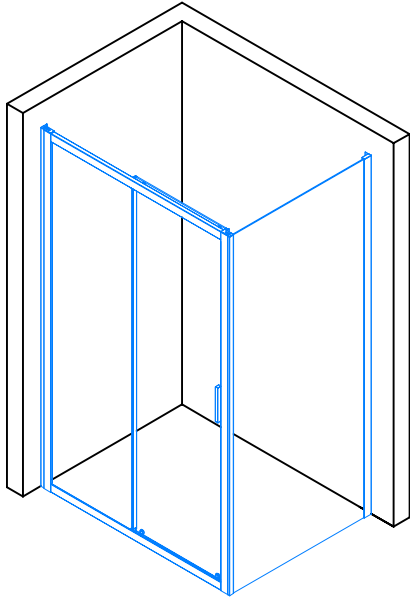


**15.**

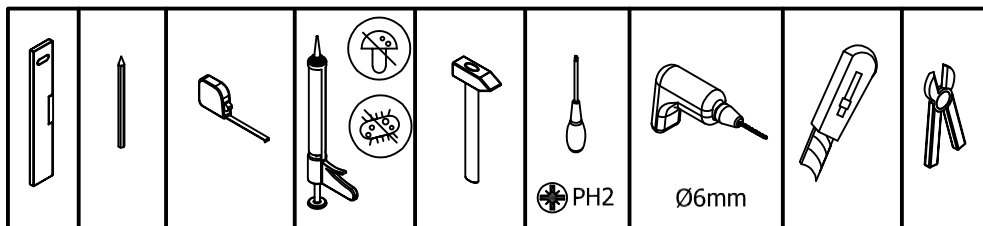


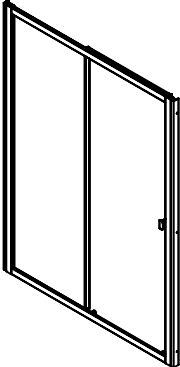


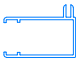

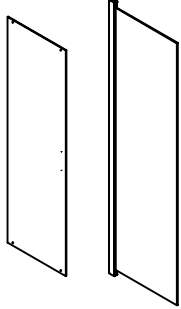













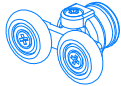



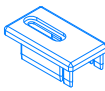
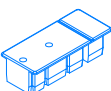





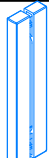
**P13. → P27.**




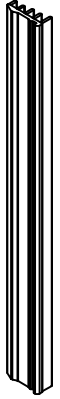
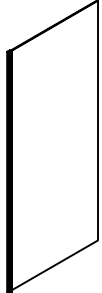



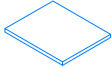
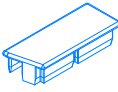
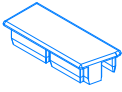
1x

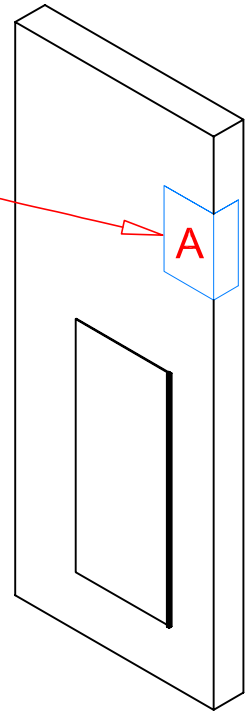
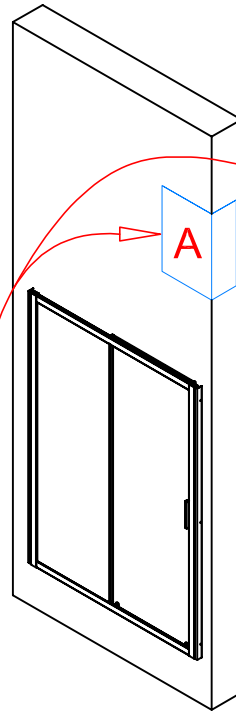
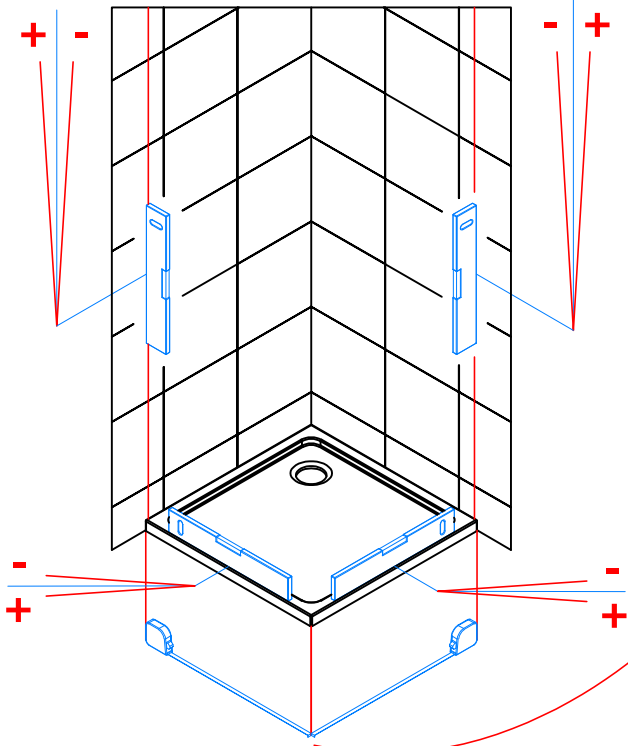


	1X 42352TL.XXXX 1X 42352TR.XXXX 	2X 80002FXX.XXXX 	1X 80401F1XX.XXXX 	1X 82025FXXXX 1X 82025.XXXX 	
	80602E2XX.XXXX  		82212.XXXX  		
	 80602E1XX.XXXX 				

	 6 x 16000 ø 6mm	 6 x 14295 4.2 X 32mm	 4 x 81393.XX	 2 x MT8004.XX	 2 x MT8002.XX	
	 2 x 14196 3.5 X 13mm	 8 x 14016 3.5 X 25mm	 2 x 81121.XX	 2 x 81125.XX	 1 x 81376   1 x 81377	
	 6 x 81253   6 x 81254.XX	 1 x 11221	 1 x MT0519.XX			

	1X 82006.XXXX 	
		

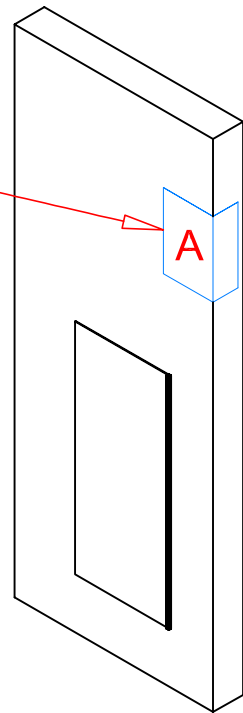
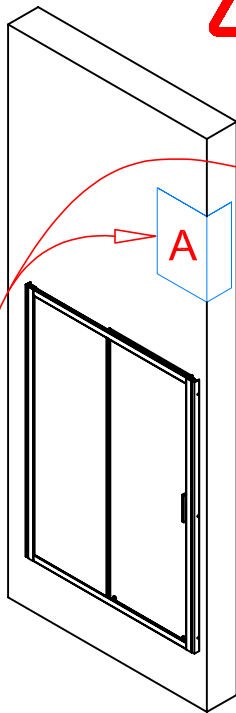
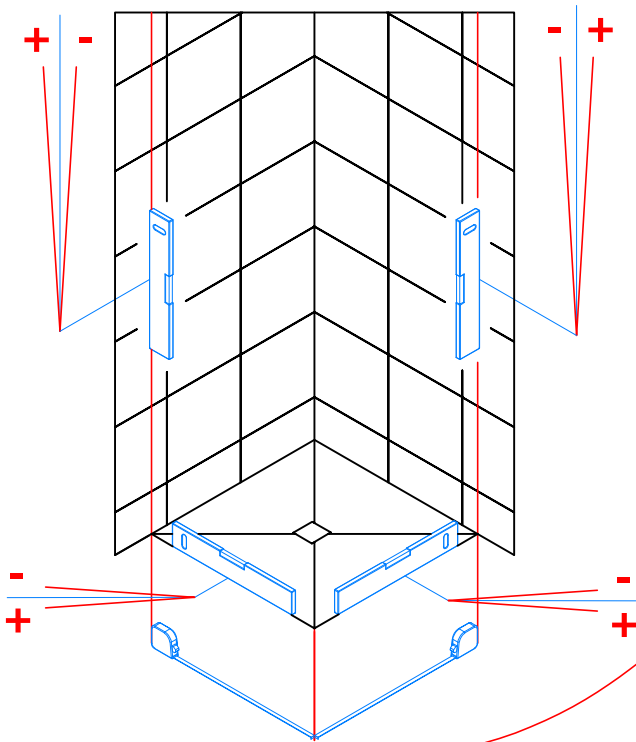
 1 x 81122.XX	 51209
 1 x 81123.XX	 1 x 81124.XX



A	
STD	SM
-20 ; +10	-10 ; +20

A	
STD	SM
-20 ; +5	-10 ; +15

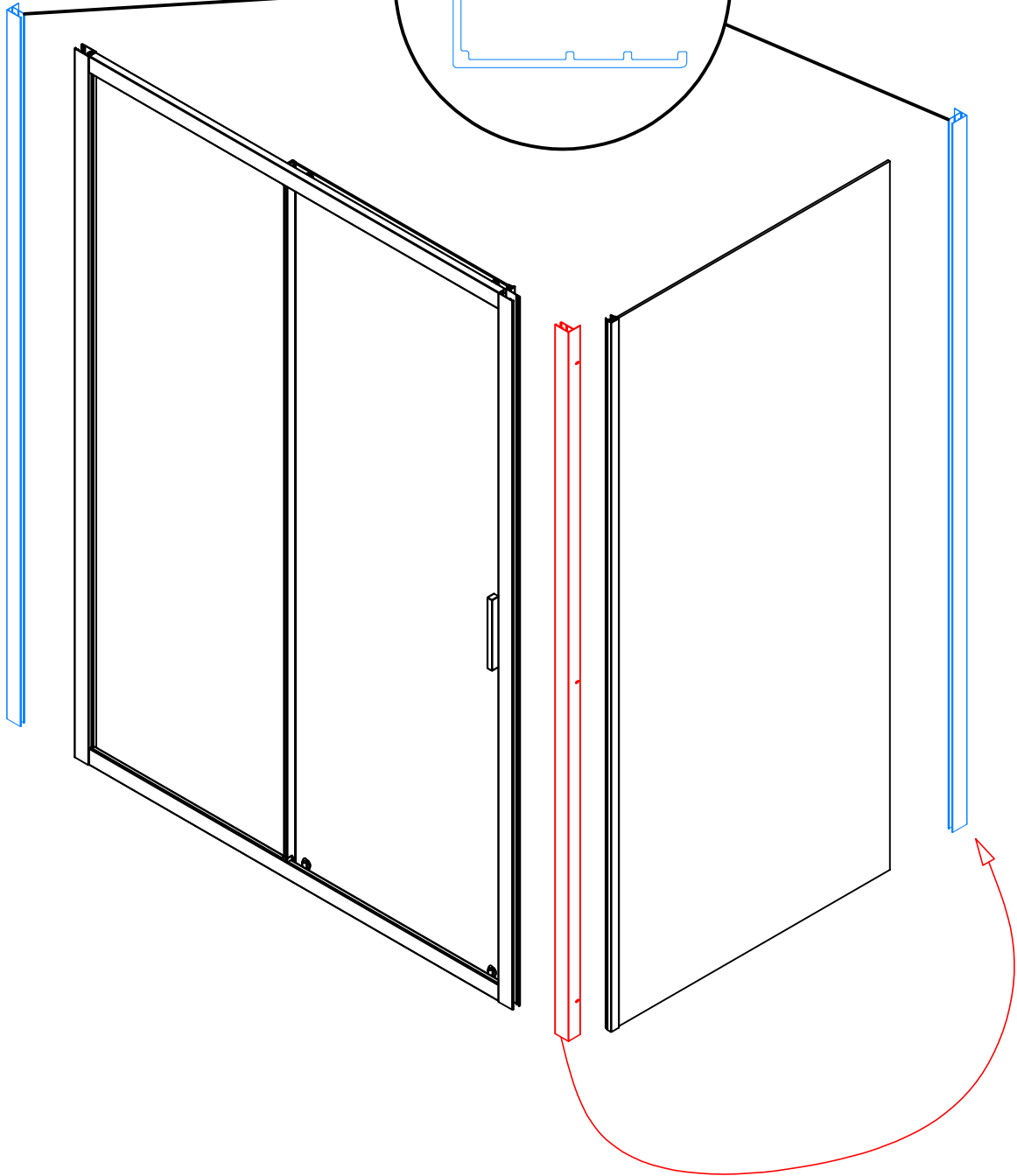
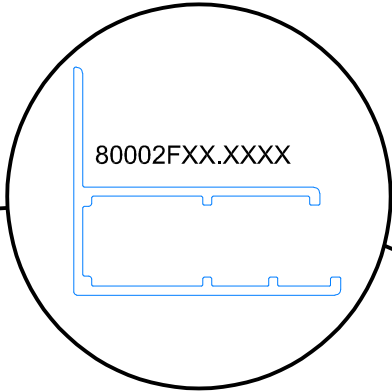
16.

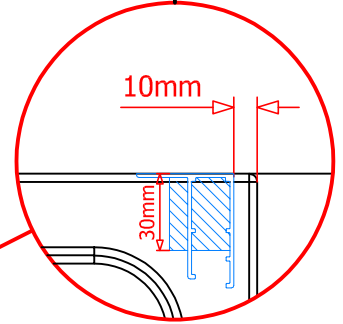
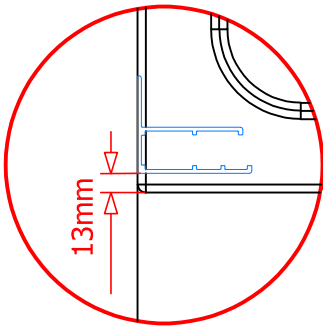
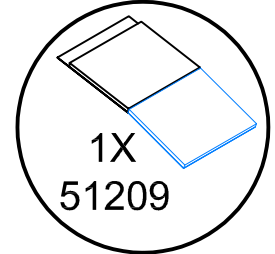
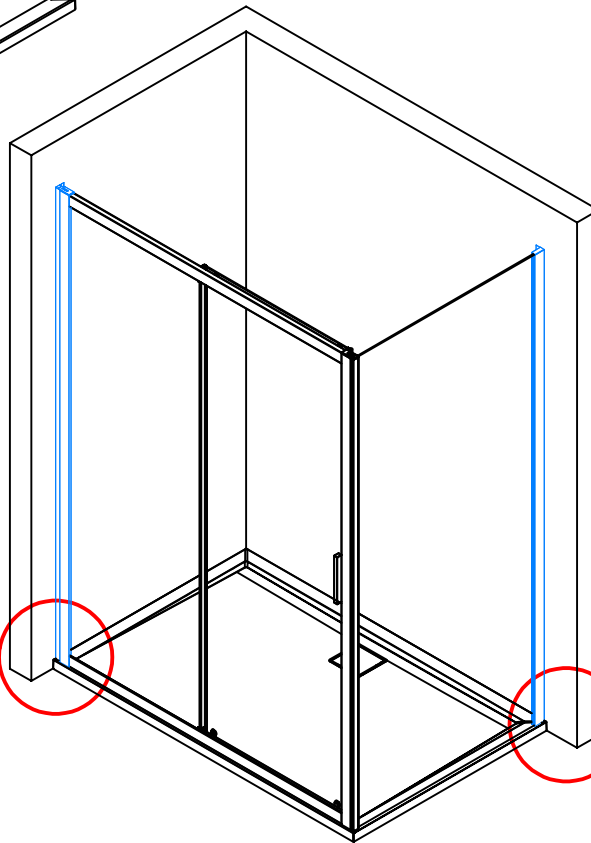
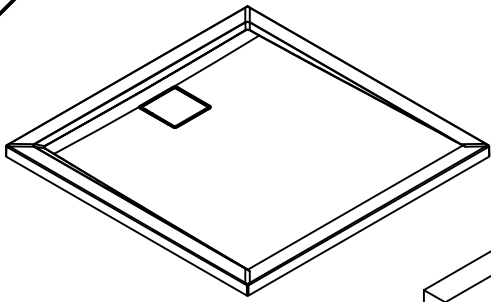


A	
STD	SM
-36 ; -6	-10 ; +20

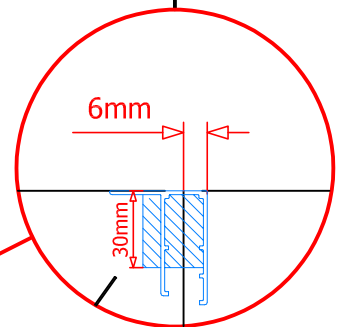
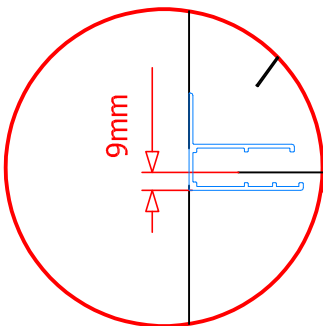
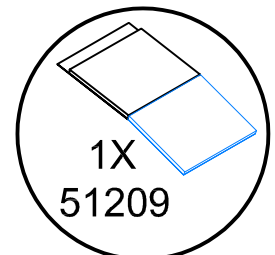
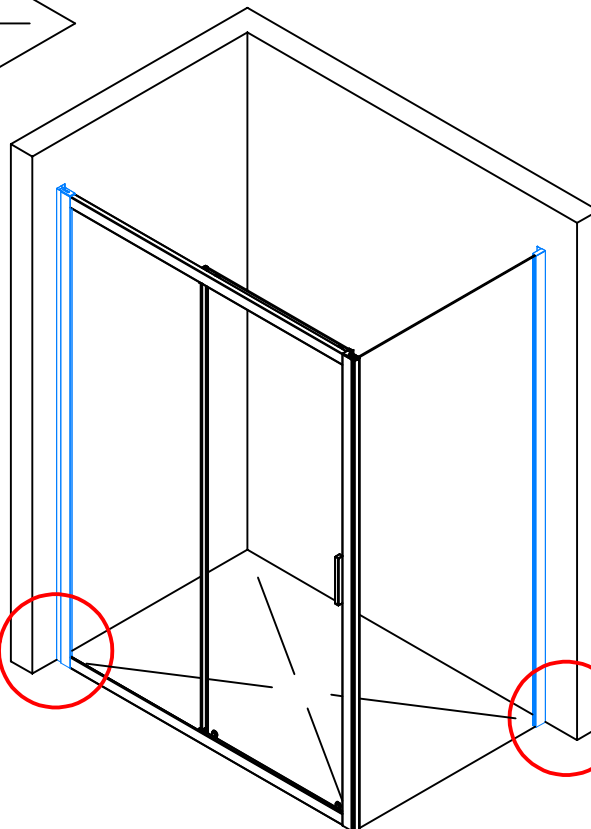
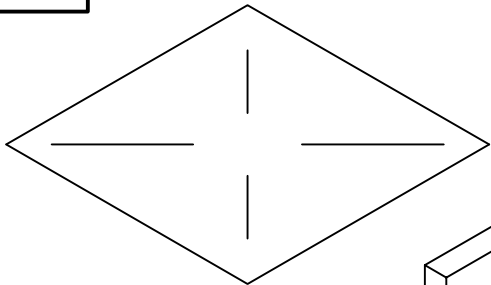
A	
STD	SM
-42 ; -17	-10 ; +15

17.

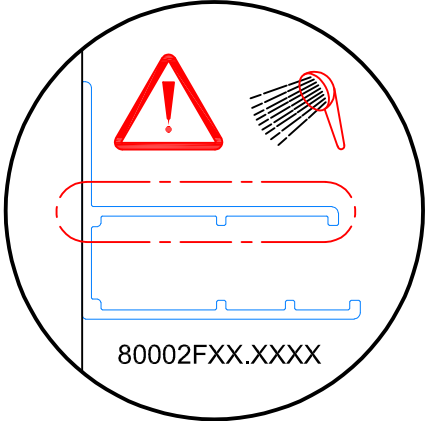
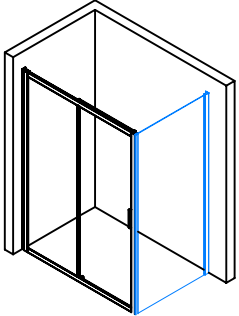




**18.**

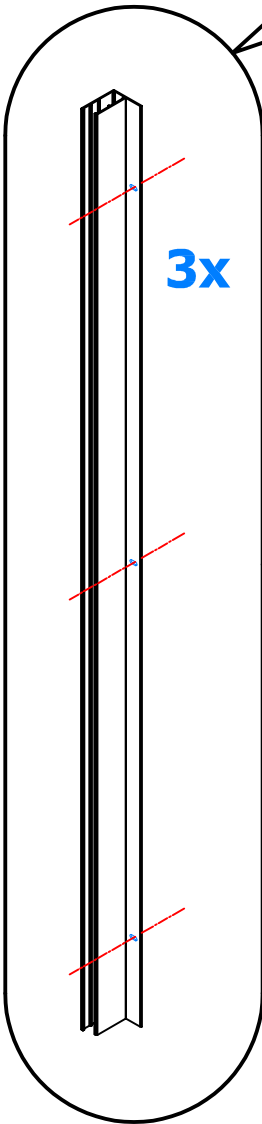
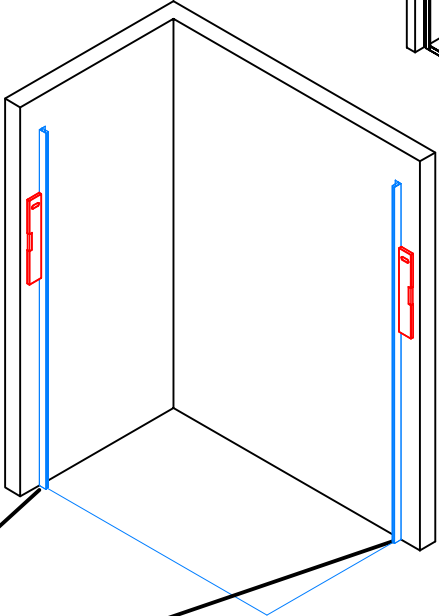


**19.1 → 19.3**

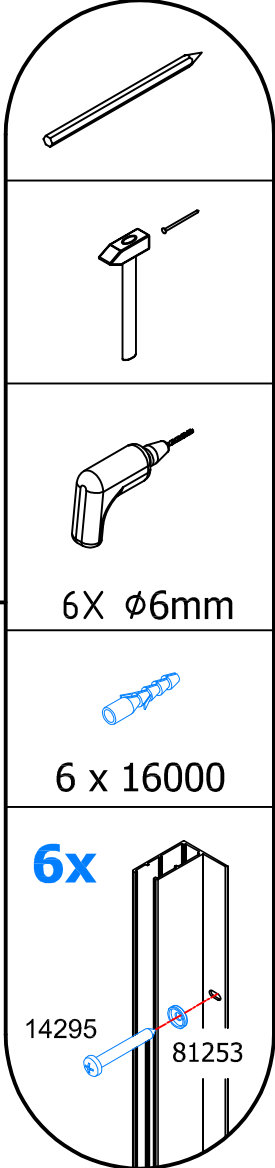


**19.1**

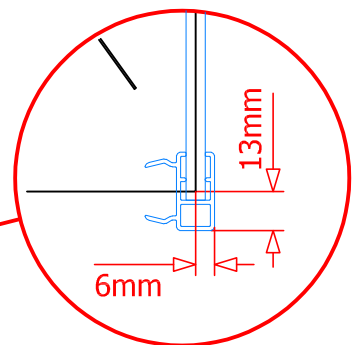
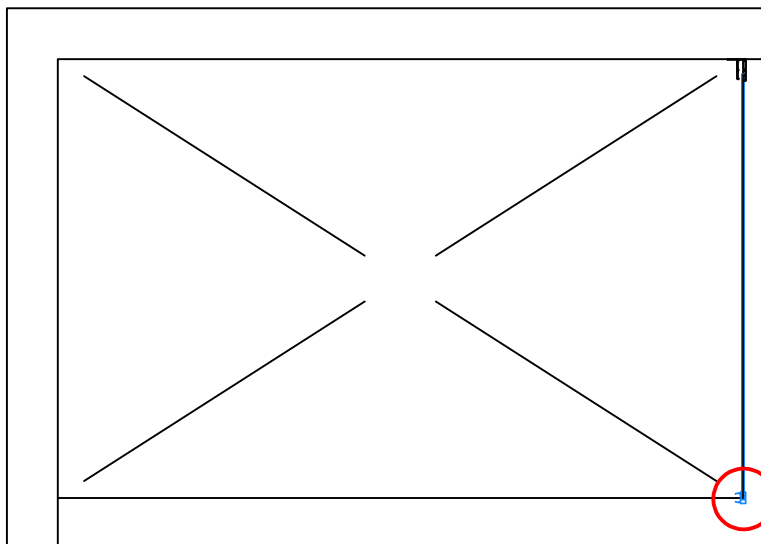
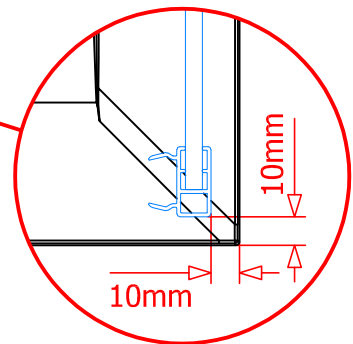
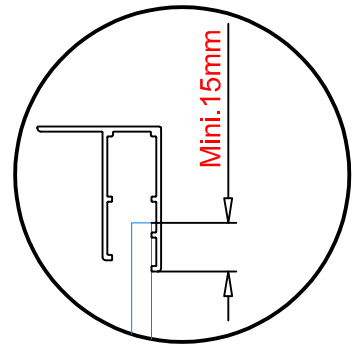
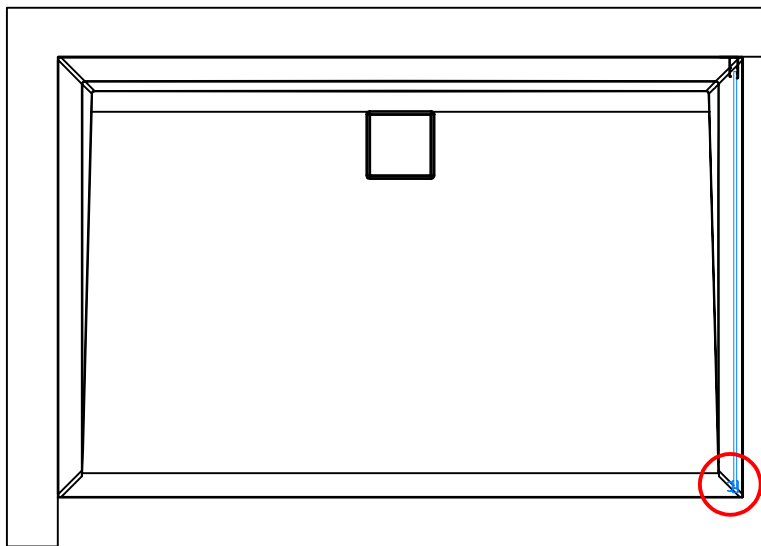
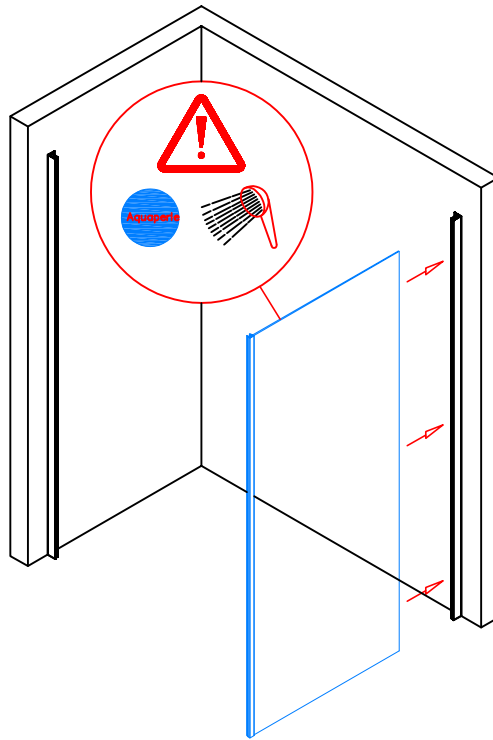
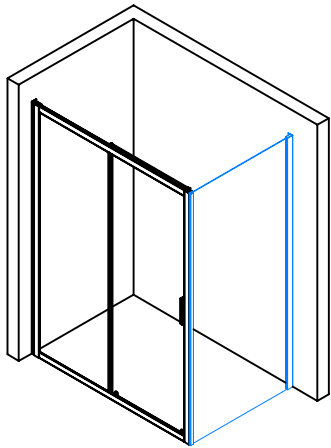
**19.2**



**19.3**

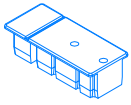


20.

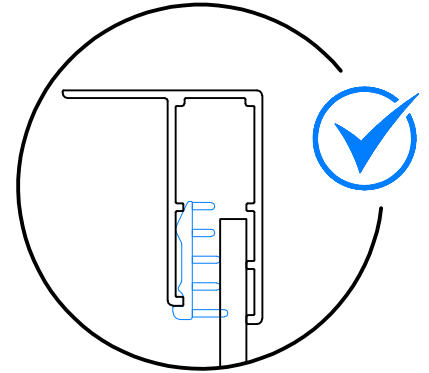
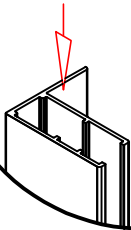


**21.1**

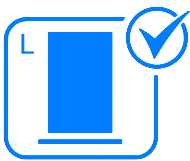
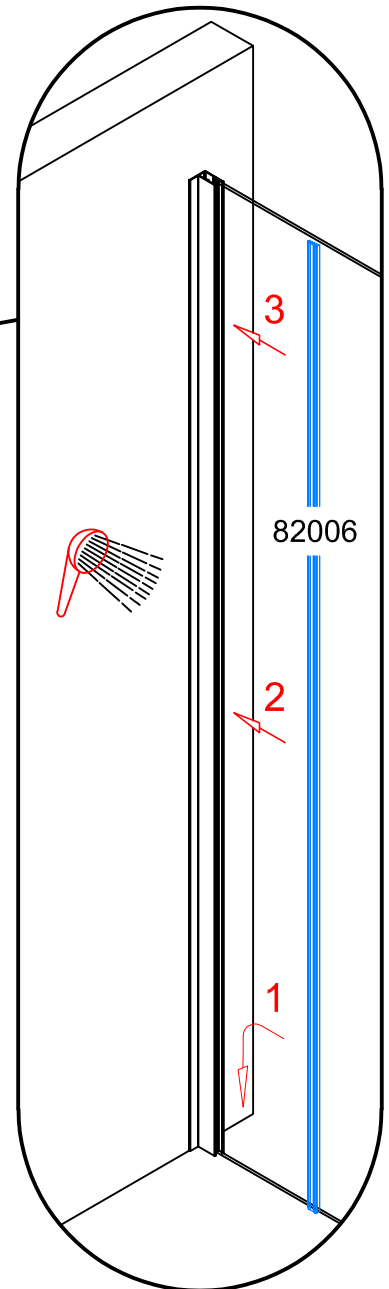
**21.1 → 21.3**



81125.XX

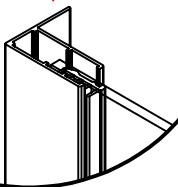
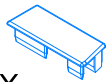


**21.2**

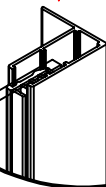
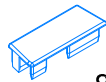


**21.3**

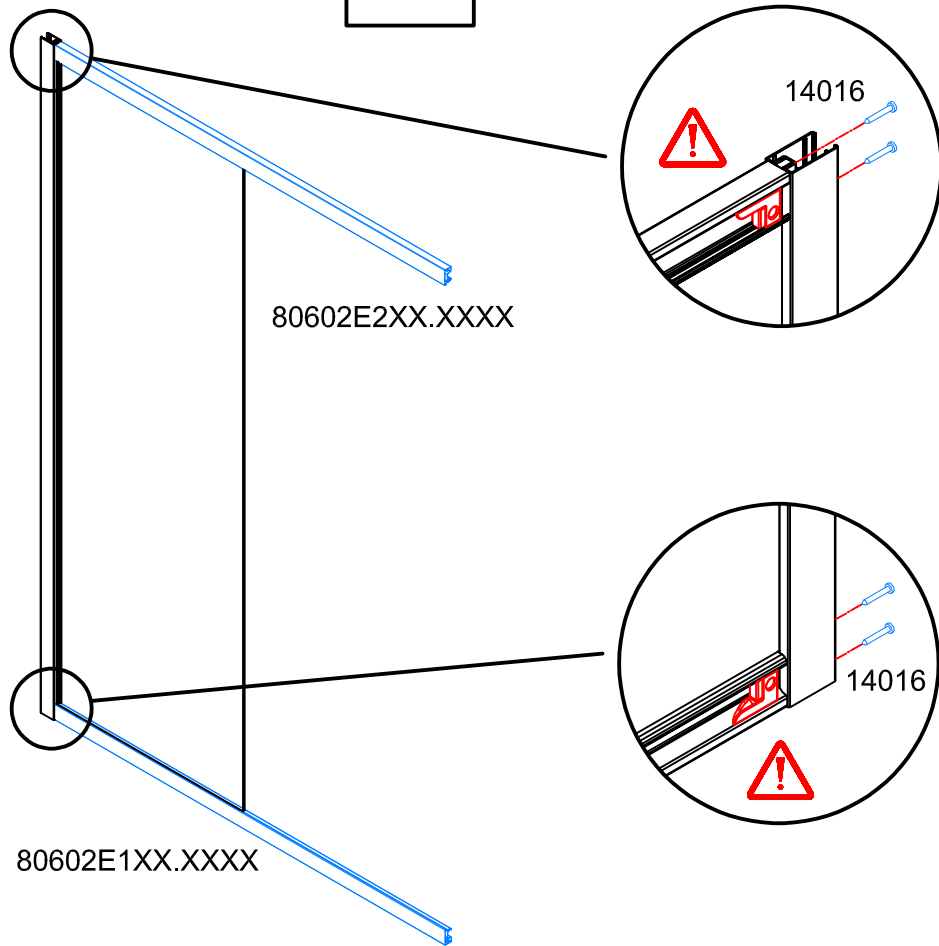
81123.XX



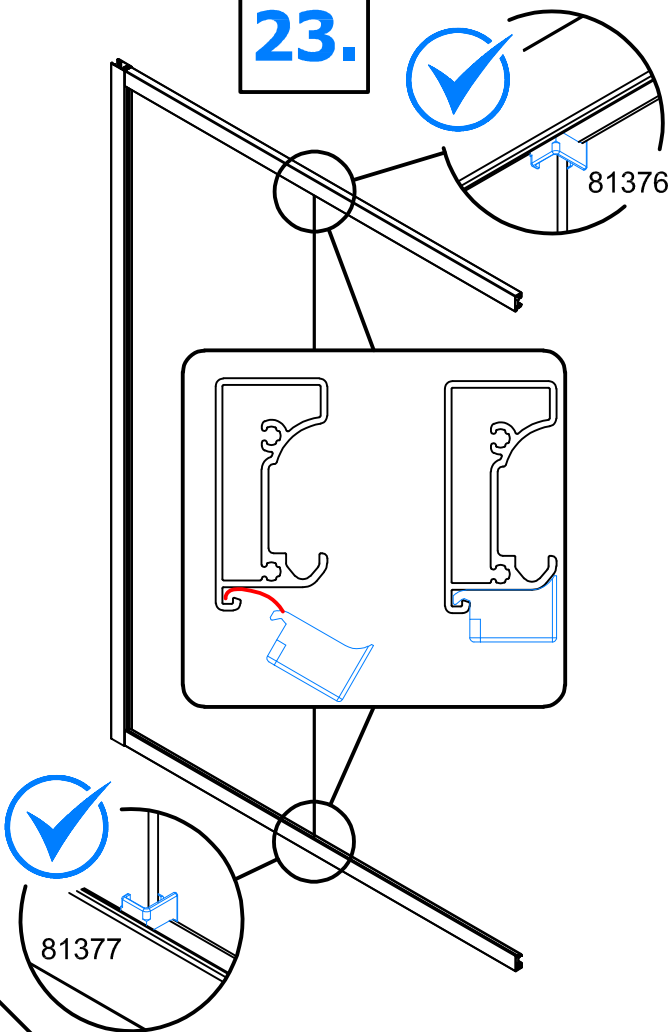
81124.XX



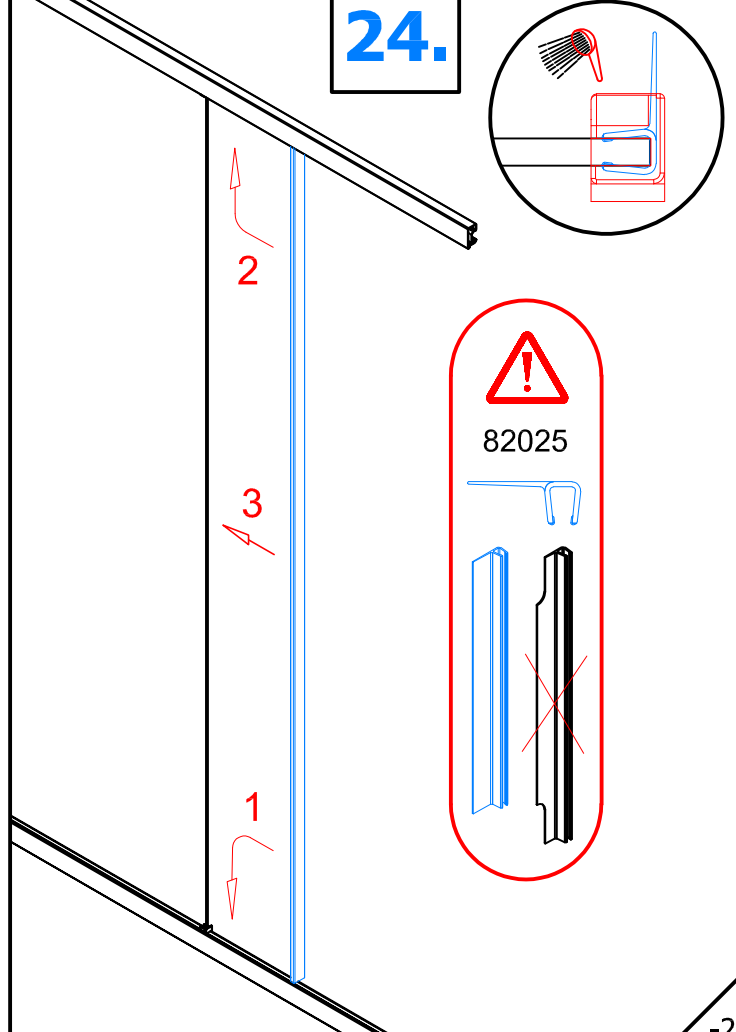
22.



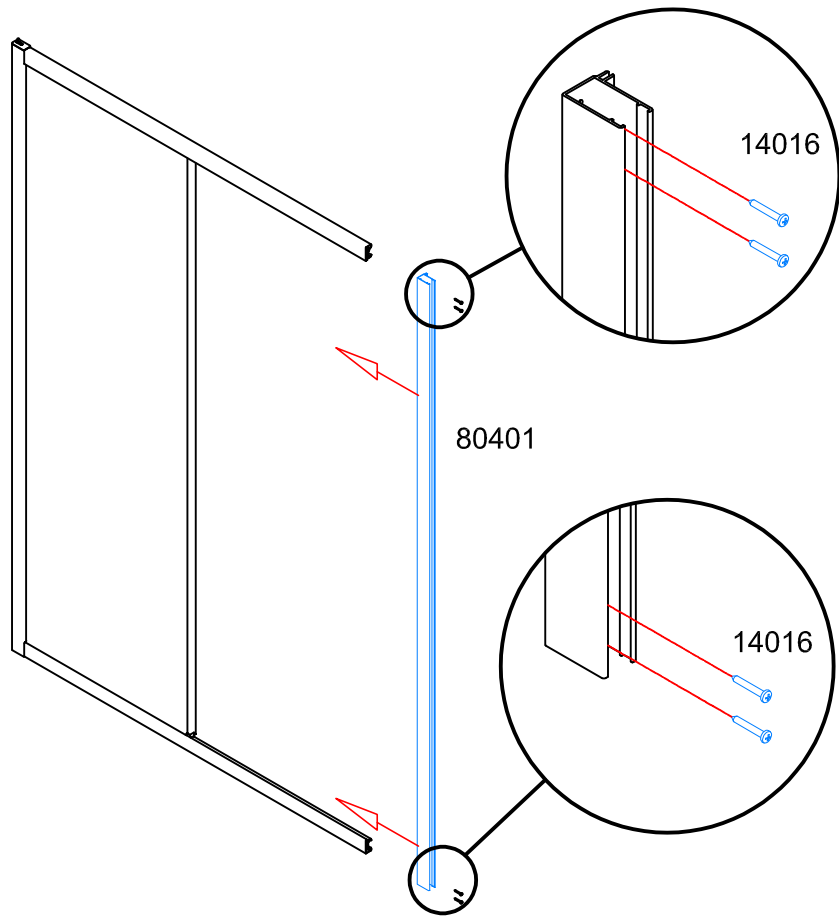
23.



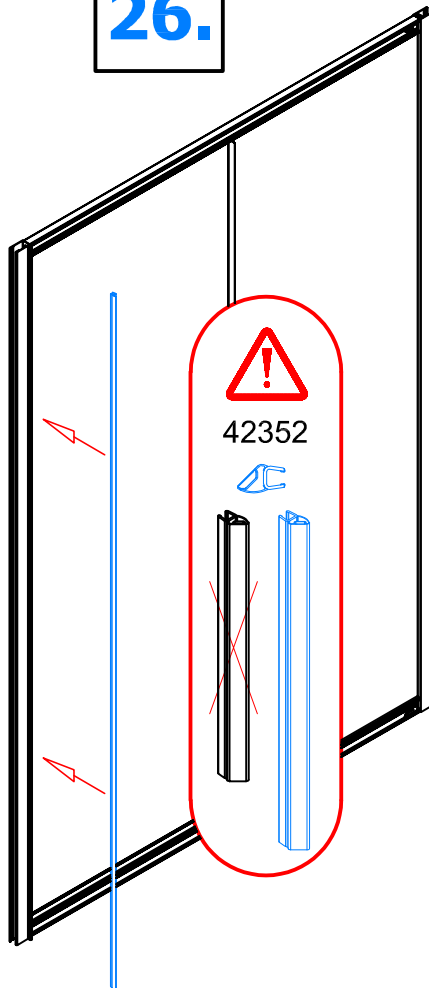
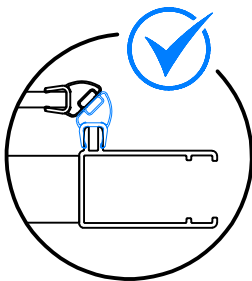
24.



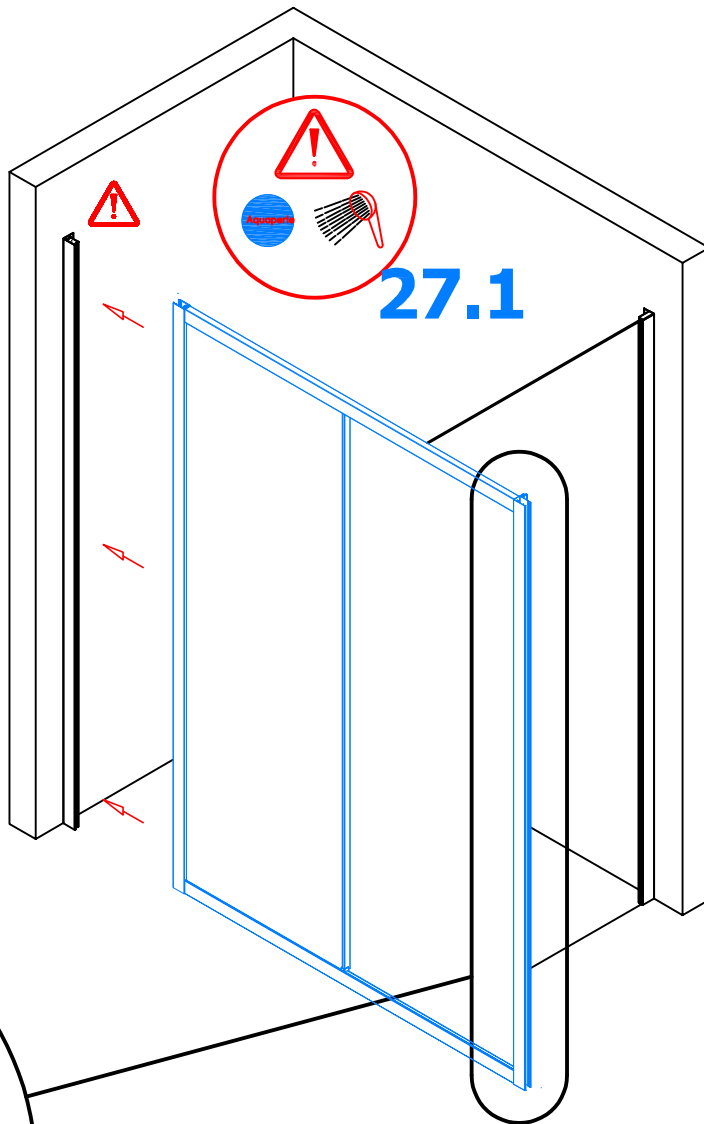
25.



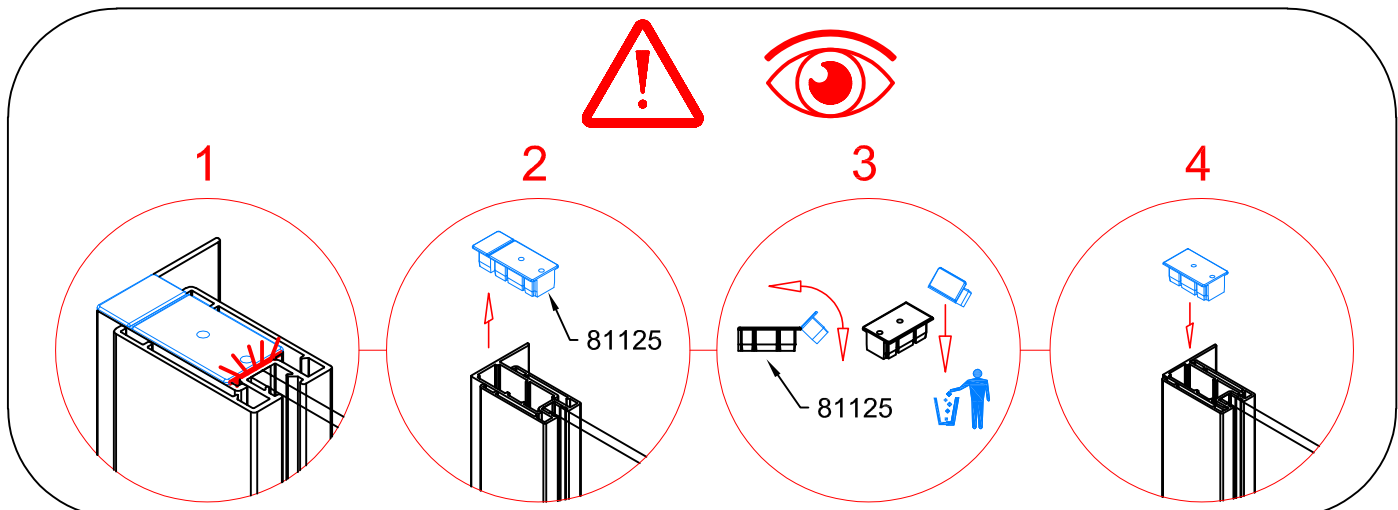
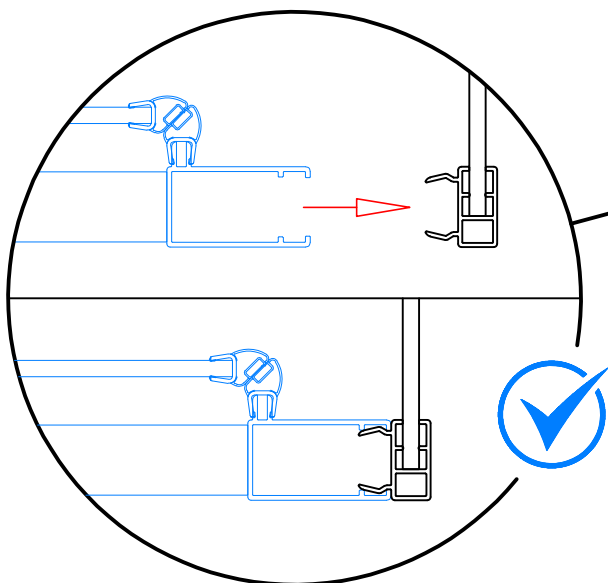
26.



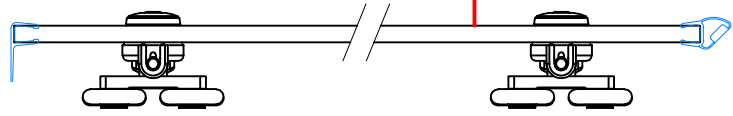
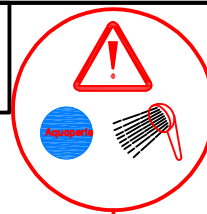
27.1 → 27.2



27.2

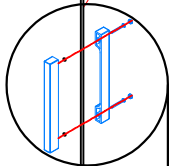


**28.1 → 28.4**

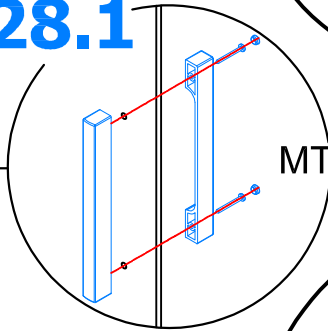


2xMT8004.XX  
+81393

**28.2**



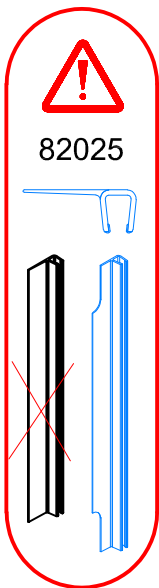
**28.1**



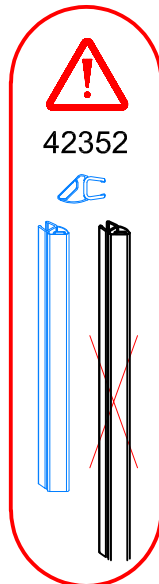
MT0519.XX

2xMT8002.XX  
+81393

**28.3**

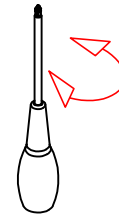
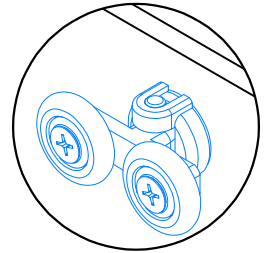
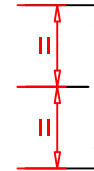
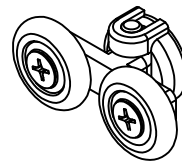
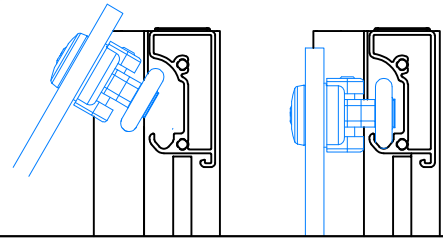
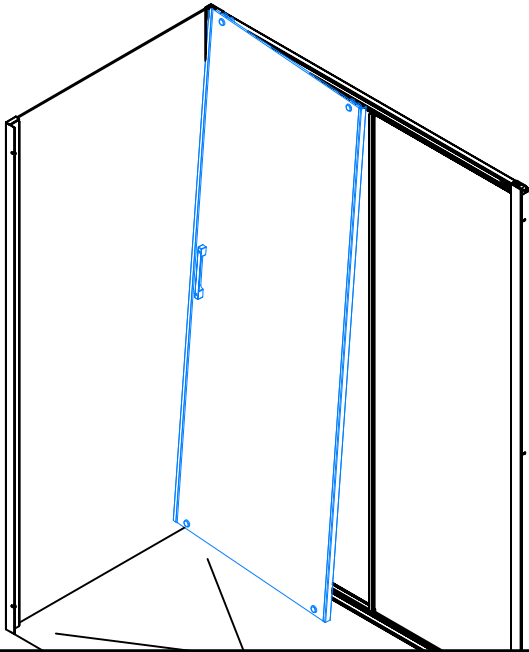


**28.4**

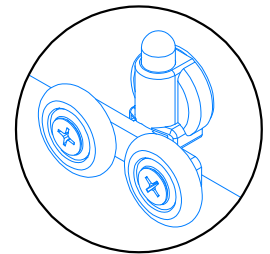
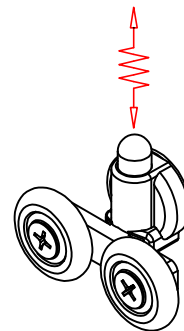
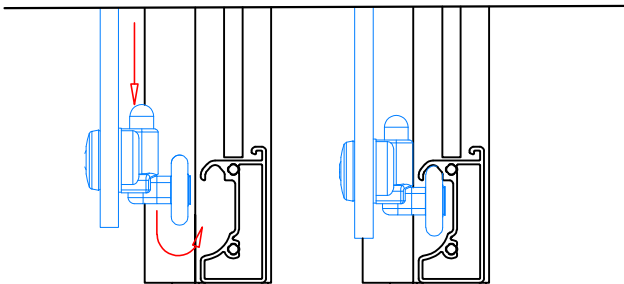


# 29.1 → 29.2

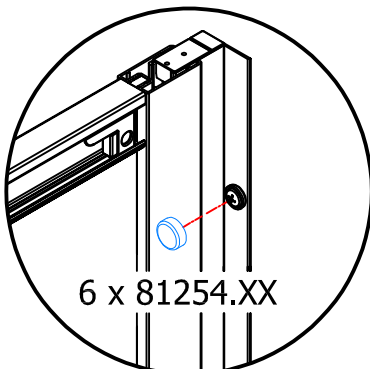
## 29.1



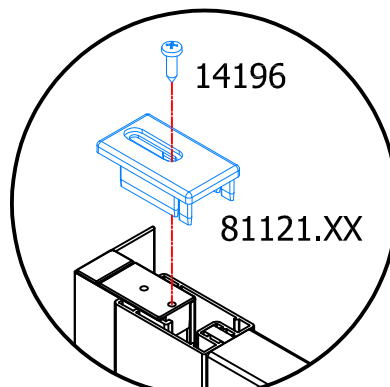
## 29.2



## 30.

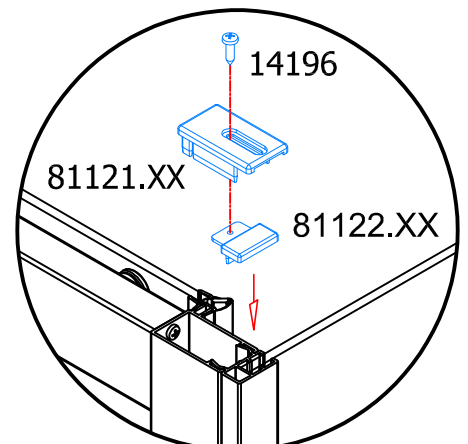


6 x 81254.XX



14196

81121.XX

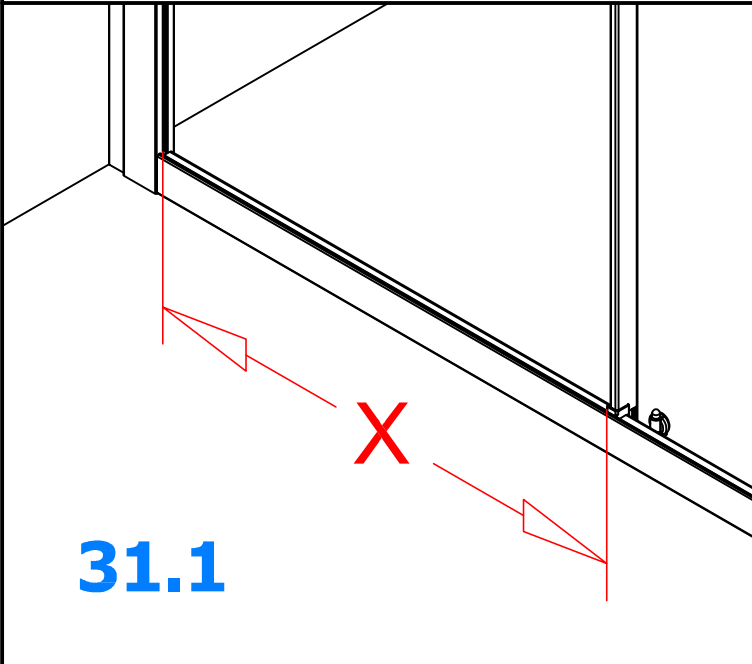
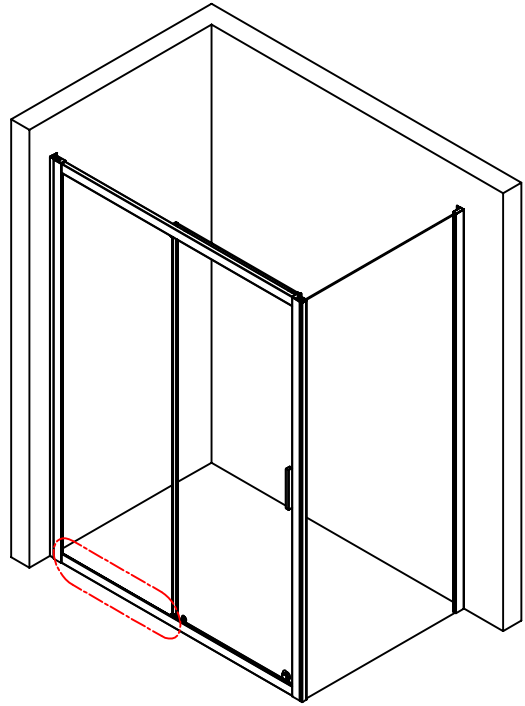


14196

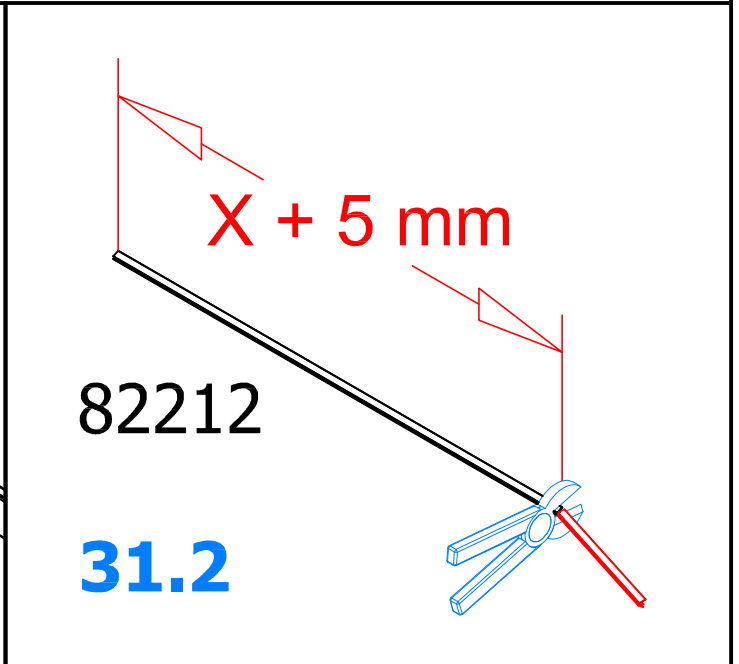
81121.XX

81122.XX

**31.1 → 31.4**

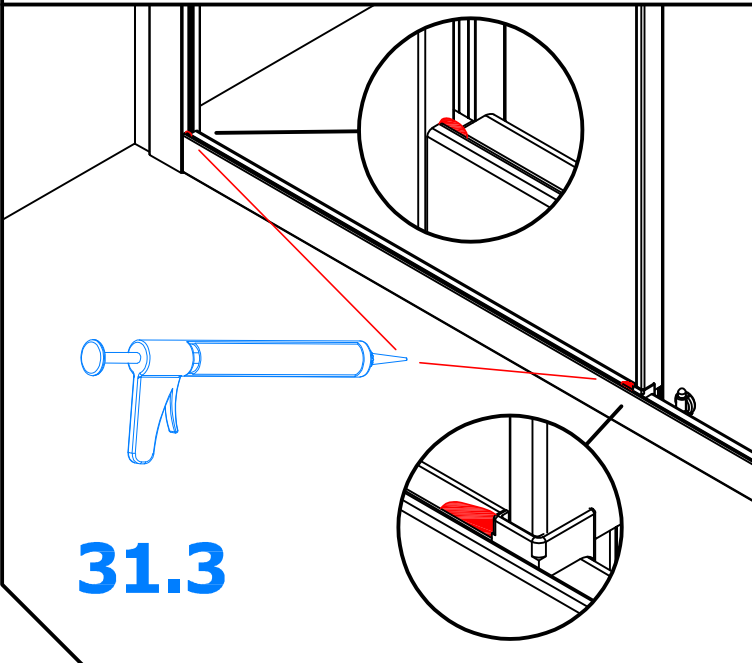


**31.1**

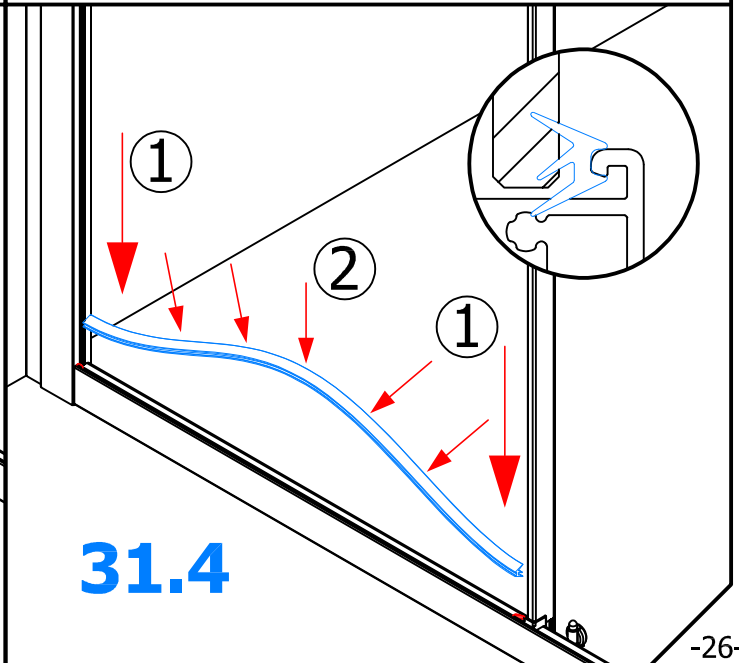


82212

**31.2**

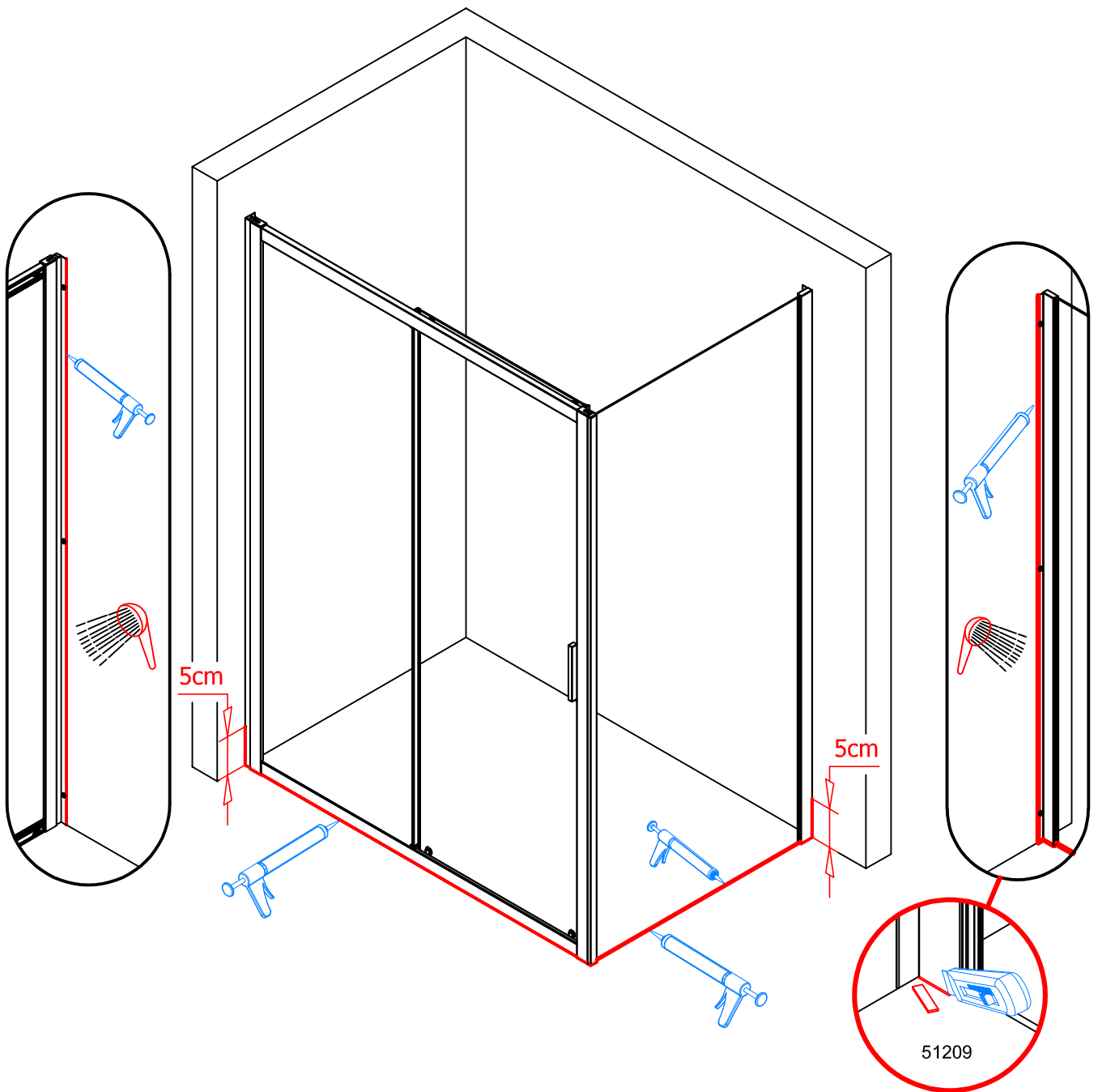
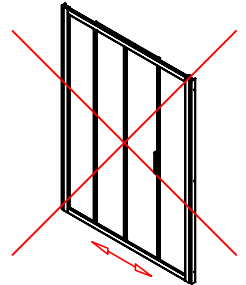
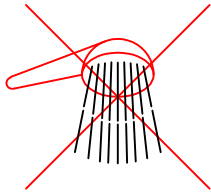
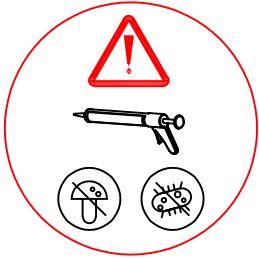


**31.3**

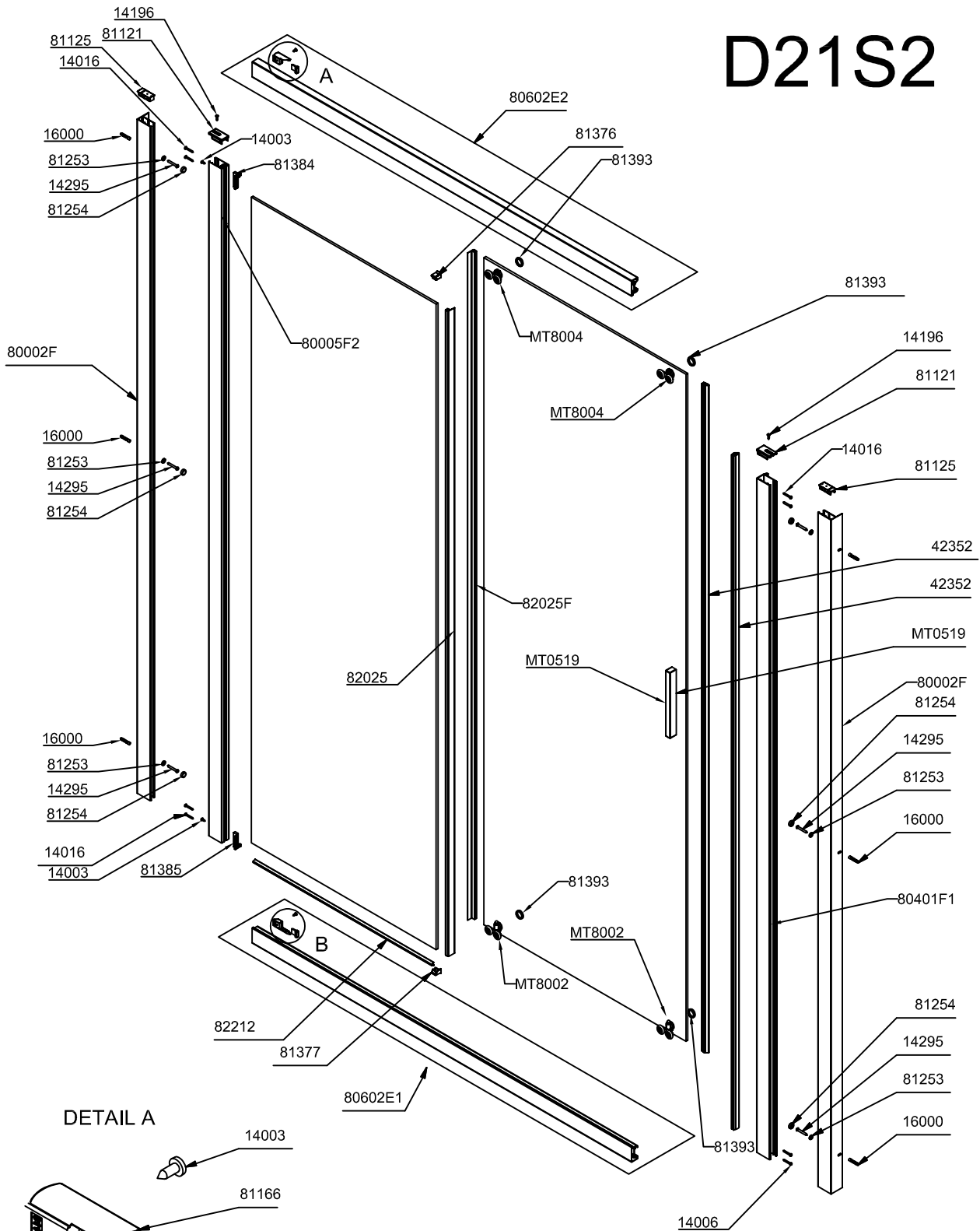


**31.4**

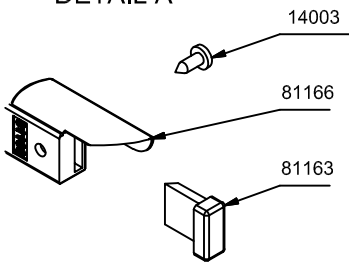
# 32.



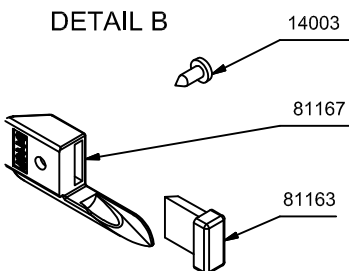
# D21S2



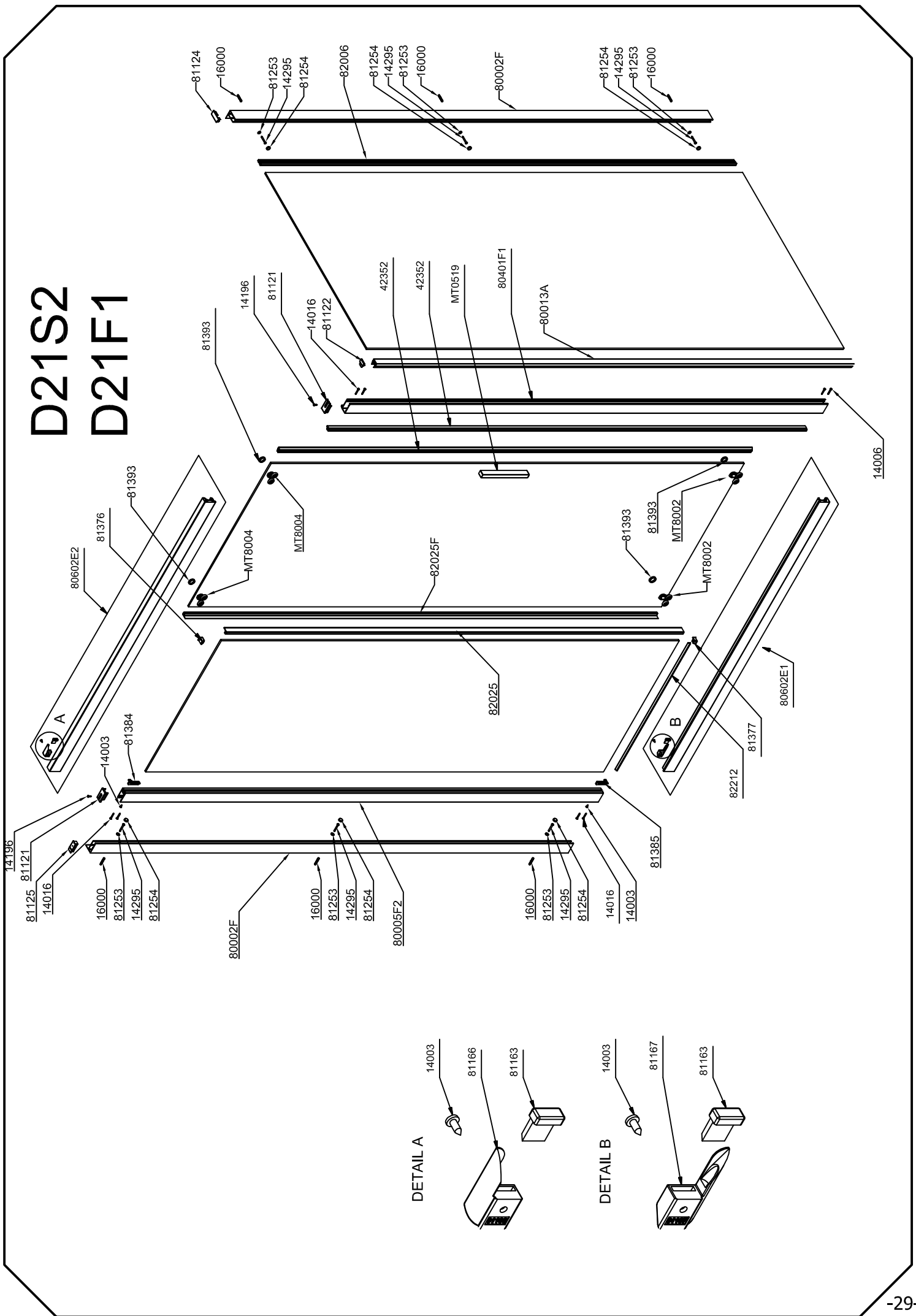
DETAIL A



DETAIL B



# D21S2 D21F1



# D21S2

# D21F1

