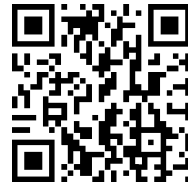
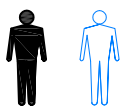
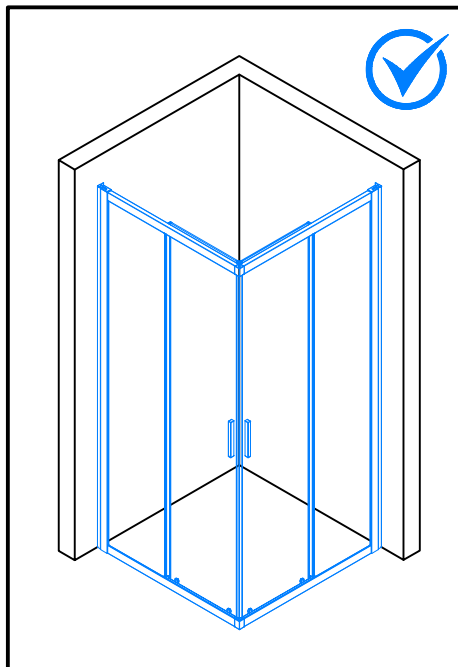


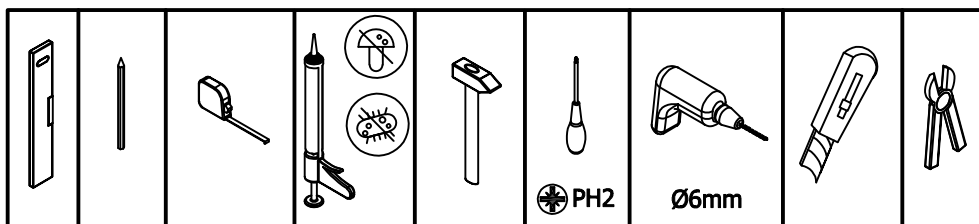
# 19885



D21SE2 / D21SE2U



1x

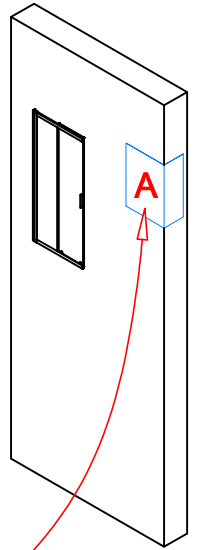
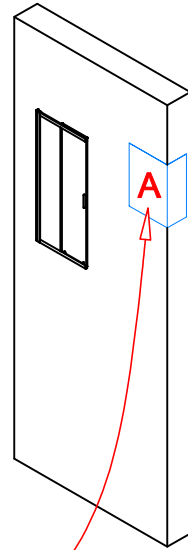
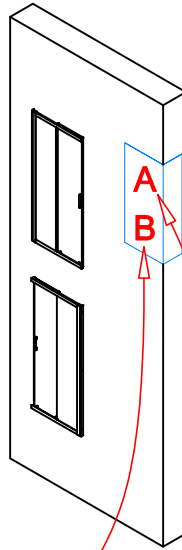
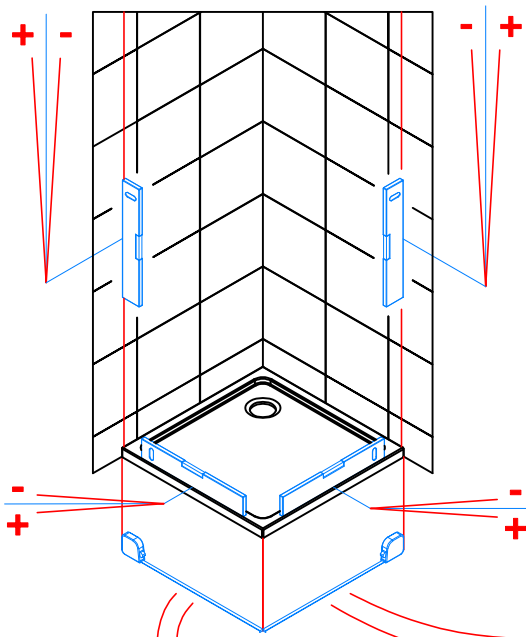




D21SE2

/

D21SE2U + D21SE2U



A / B	
STD	SM
-20 ; +10	-10 ; +20

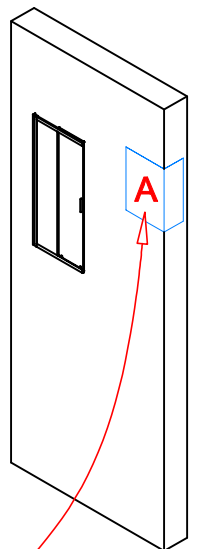
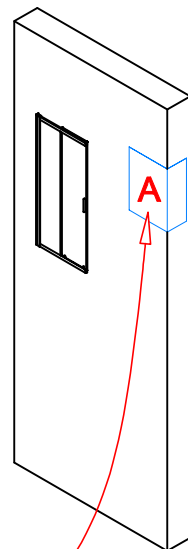
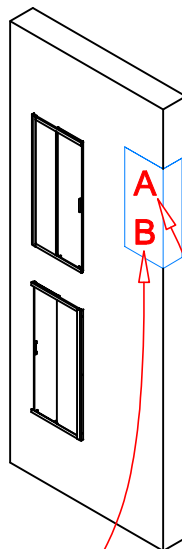
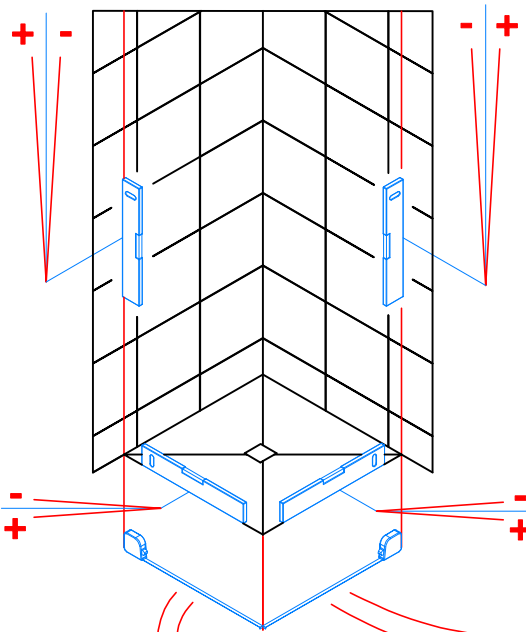
1.



D21SE2

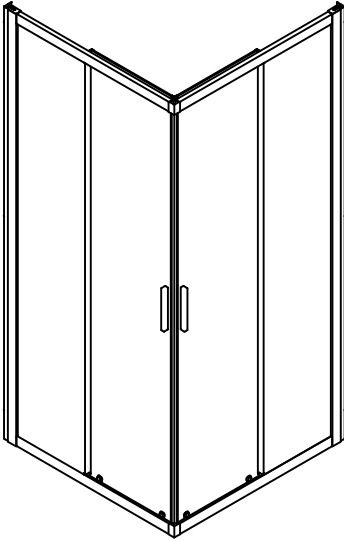
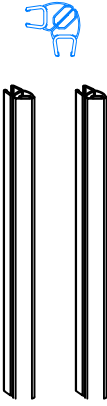
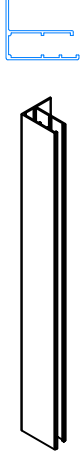
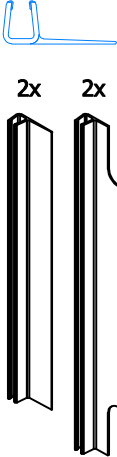
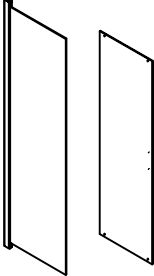

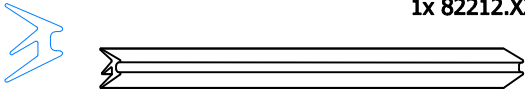

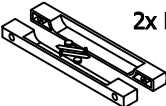

/





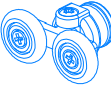
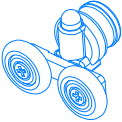


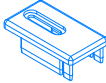
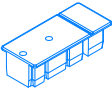
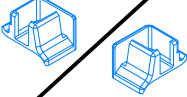

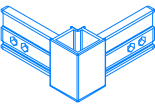
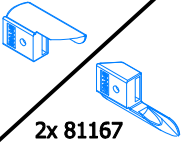
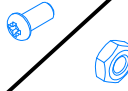
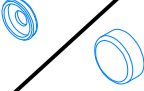
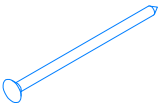
D21SE2U + D21SE2U

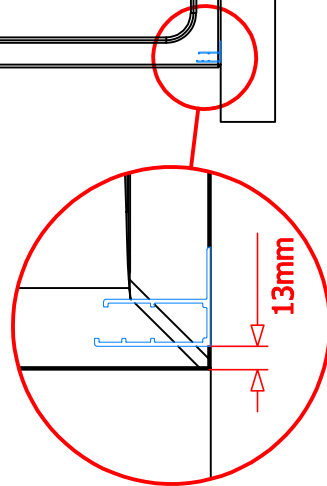
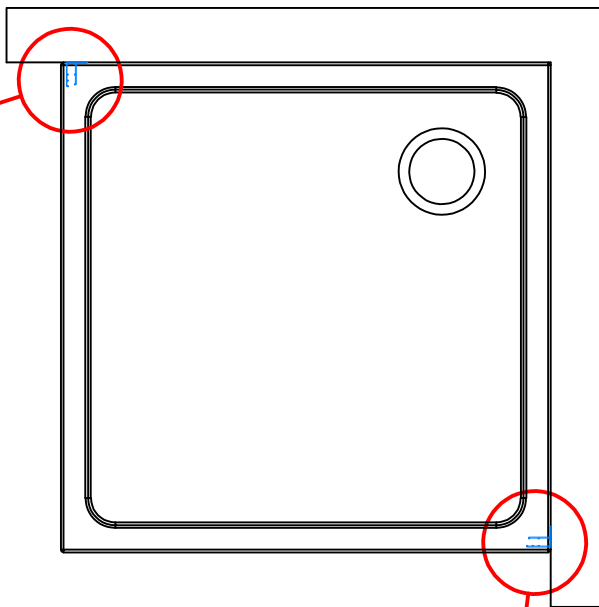
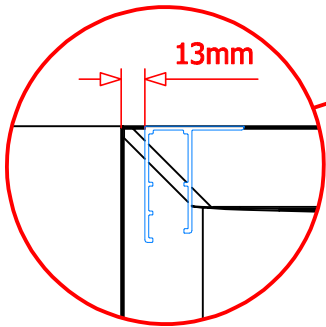
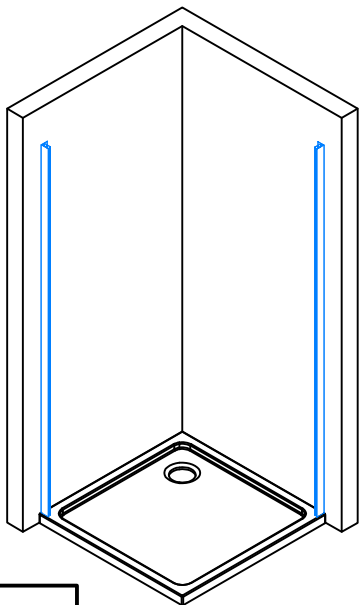


A / B	
STD	SM
-42 ; -12	-10 ; +20

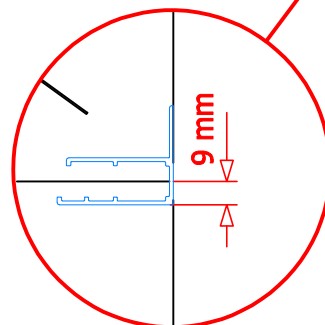
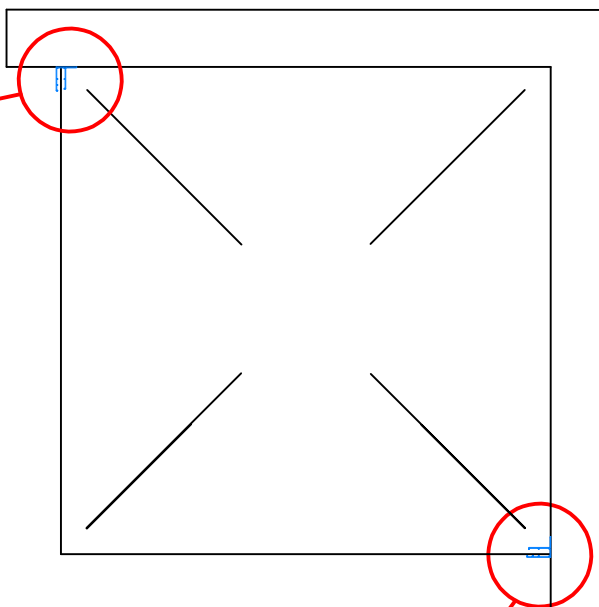
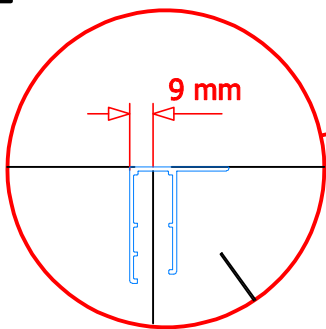
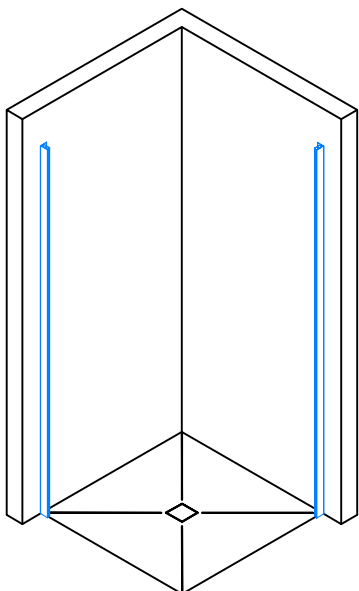
# 2.

	<p>1x 42352TL.XXXX 1x 42352TR.XXXX</p> 	<p>2x 80002F</p> 	<p>82025</p> 	<p>2x 2x</p> 
<p>2x 80602E4XX.XXXX</p> 	<p>1x 82212.XXXX</p> 			
<p>2x 80602E3XX.XXXX</p> 	<p>2x MT0519.XX</p> 	<p>FITTING PACK</p> 		

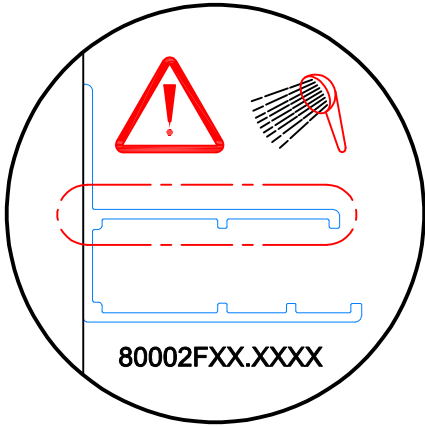
	<p>6x 16000 Ø 6mm</p> 	<p>6x 14295 Ø4.2 X 32mm</p> 	<p>8x 81393.XX</p> 	<p>4x MT8004.XX</p> 	<p>4x MT8002.XX</p> 	
	<p>2x 14196 Ø3.5 X 13mm</p> 	<p>8x 14016 Ø3.5 X 25mm</p> 	<p>2x 81121.XX</p> 	<p>2x 81125.XX</p> 	<p>2x 81376</p> 	
	<p>4x 81163.XX</p> 	<p>2x 81448.XX</p> 	<p>2x 81166</p> 	<p>4x 14190</p> 	<p>6x 81253</p> 	
	<p>1 x 11221</p> 					



**3.** 

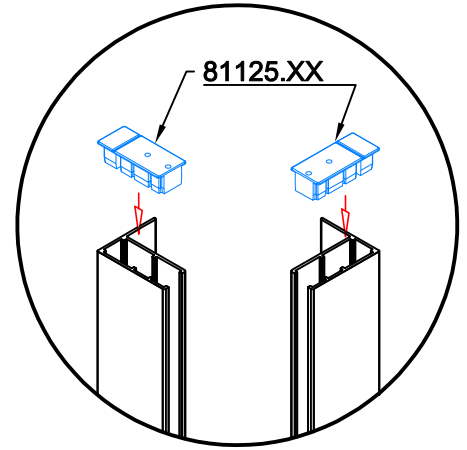
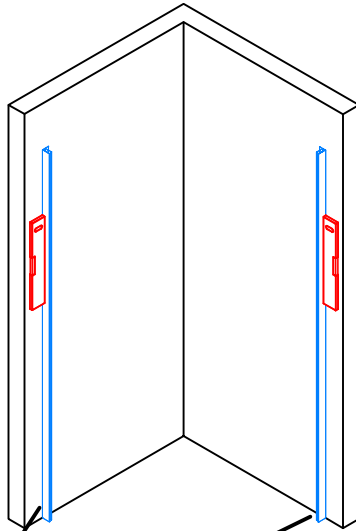


4.1 → 4.4

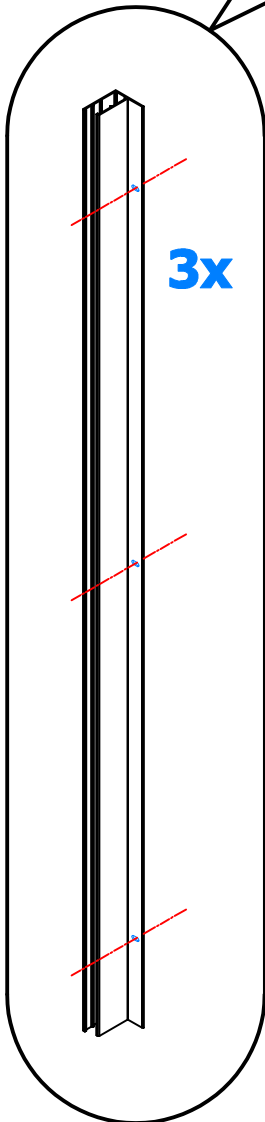


4.1

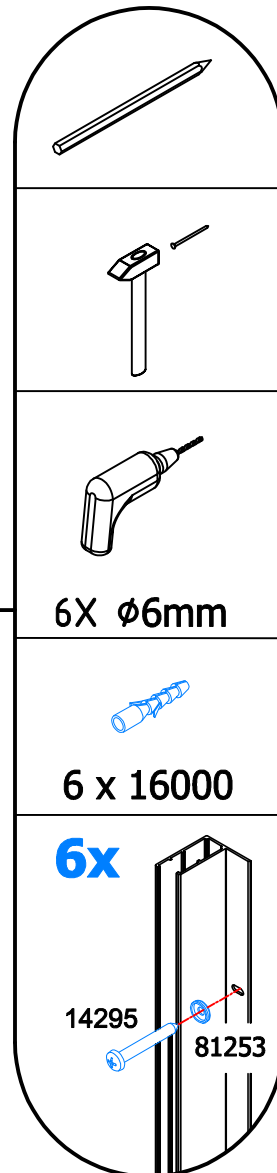
4.2



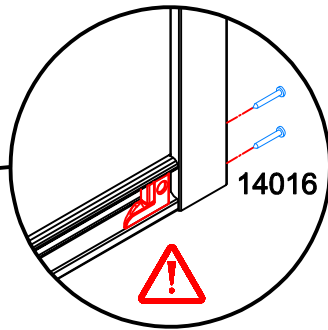
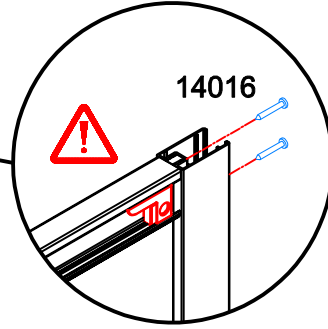
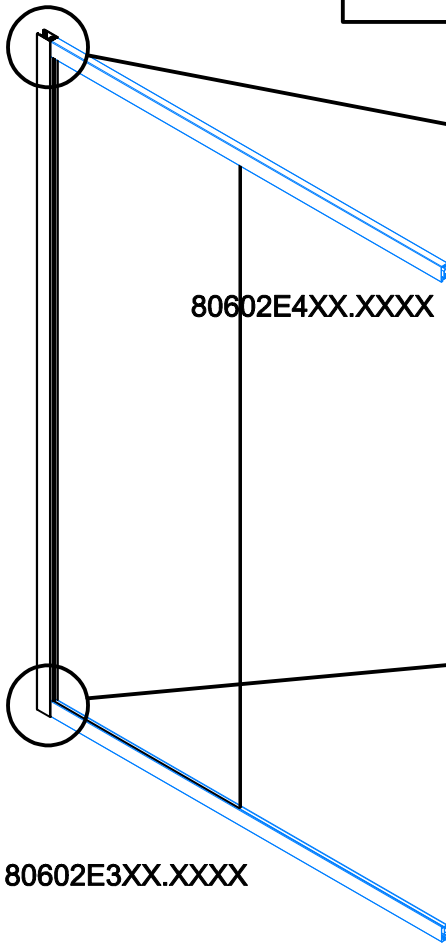
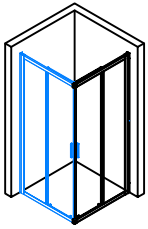
4.4



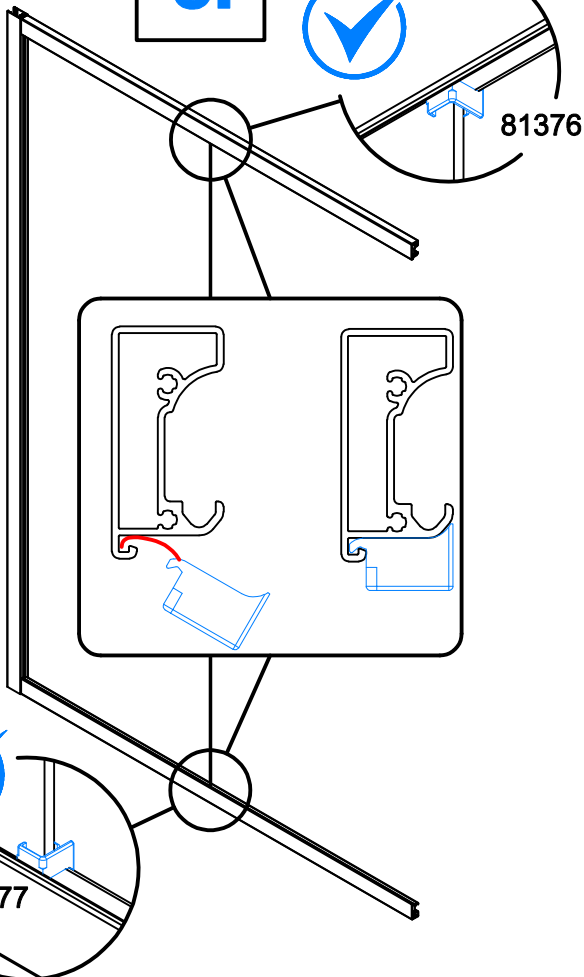
4.3



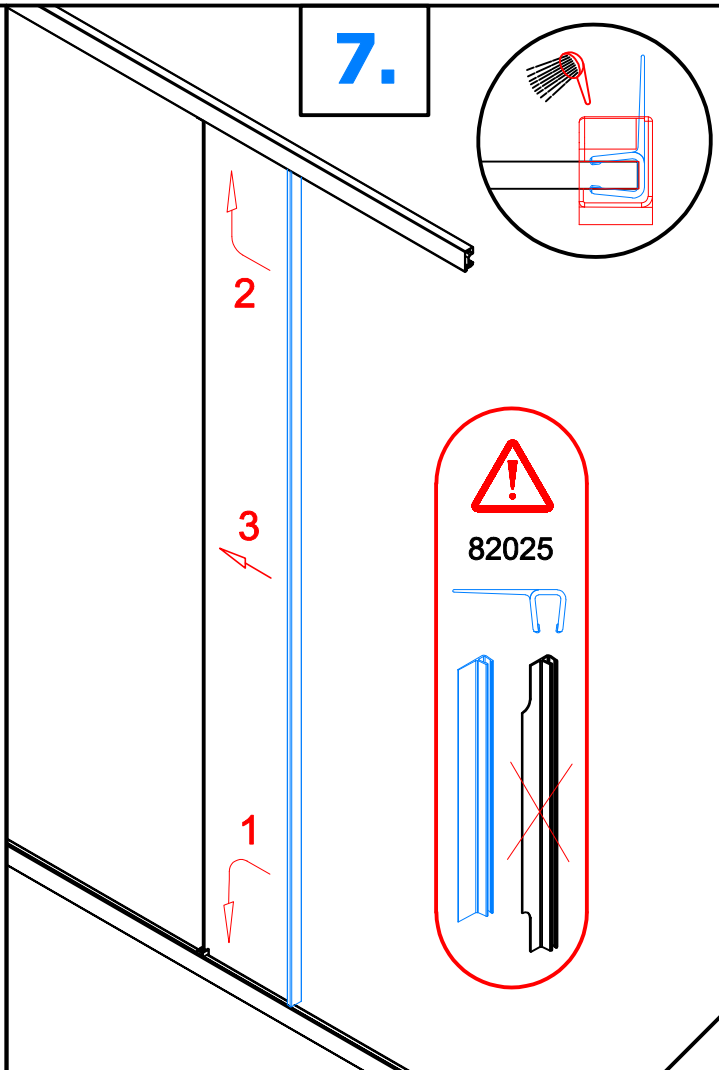
5.



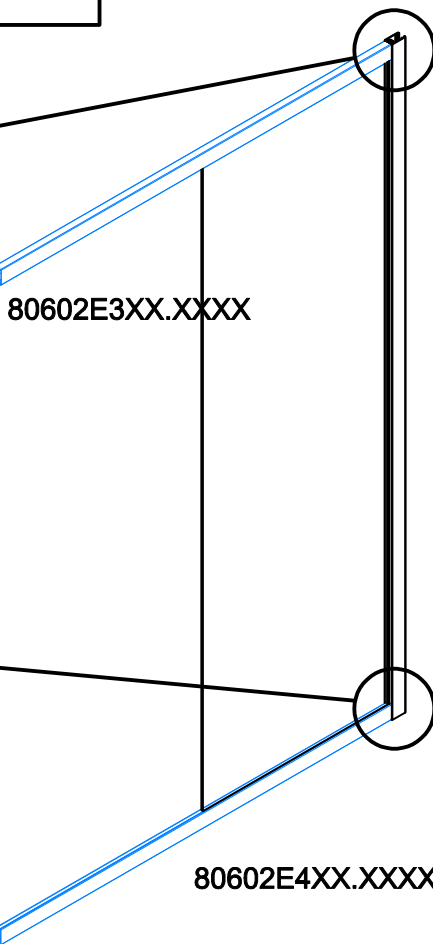
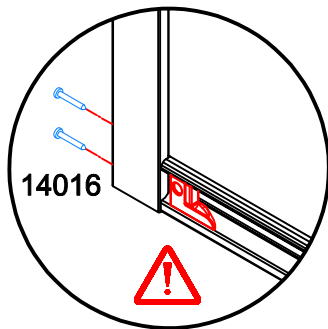
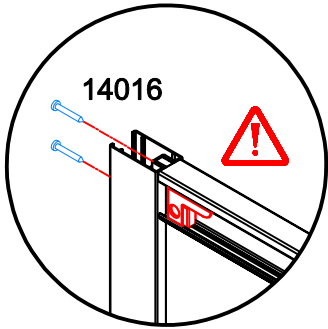
6.



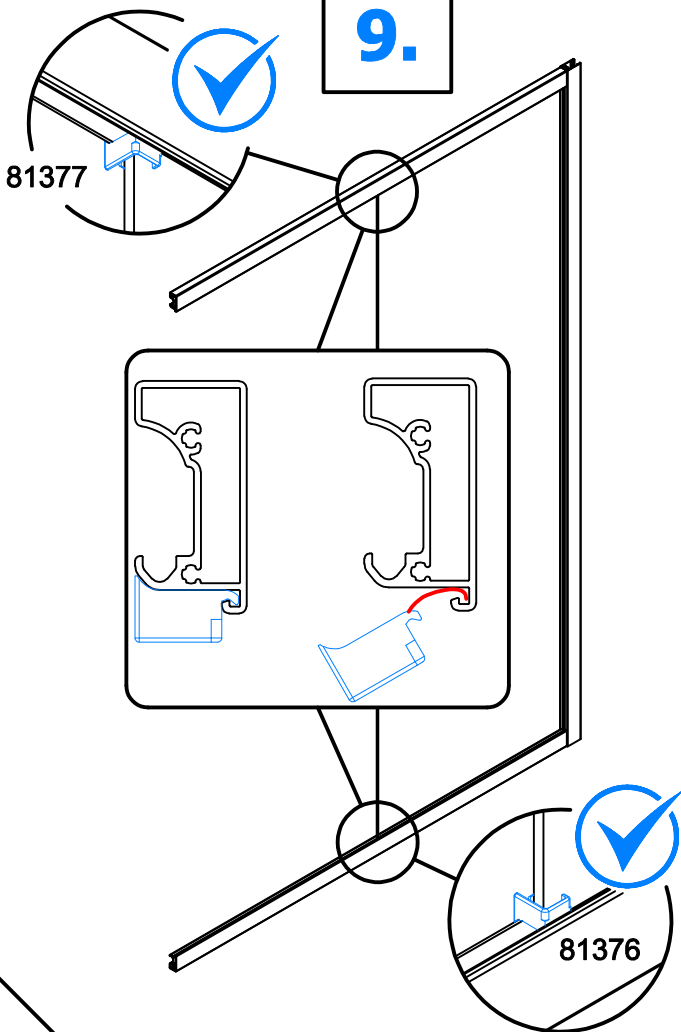
7.



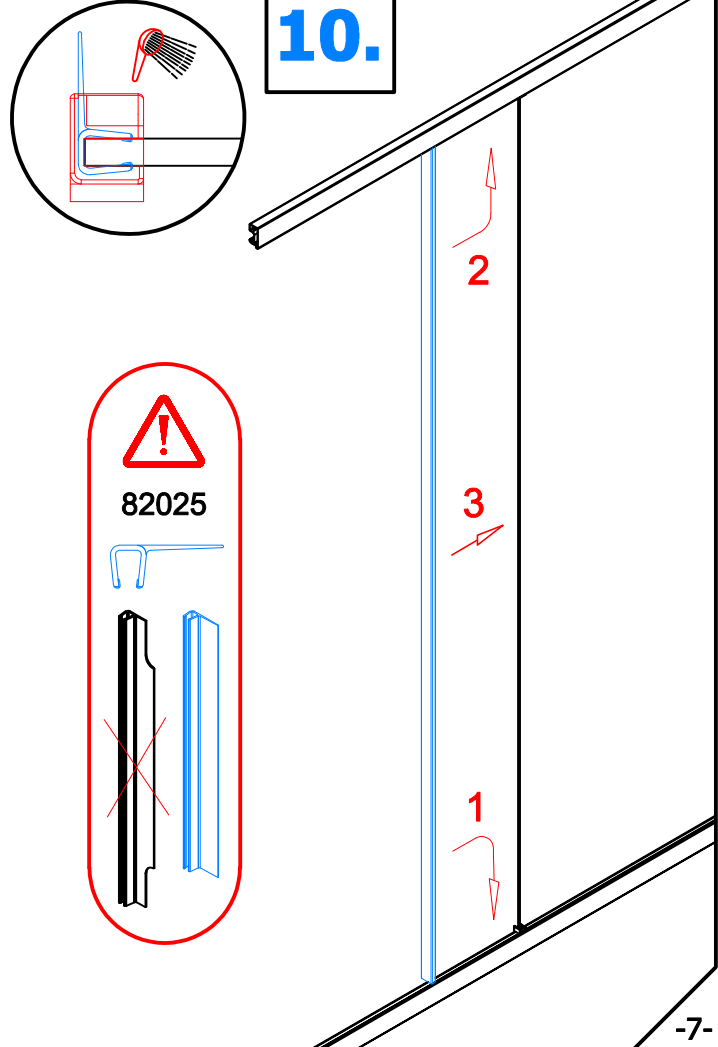
8.



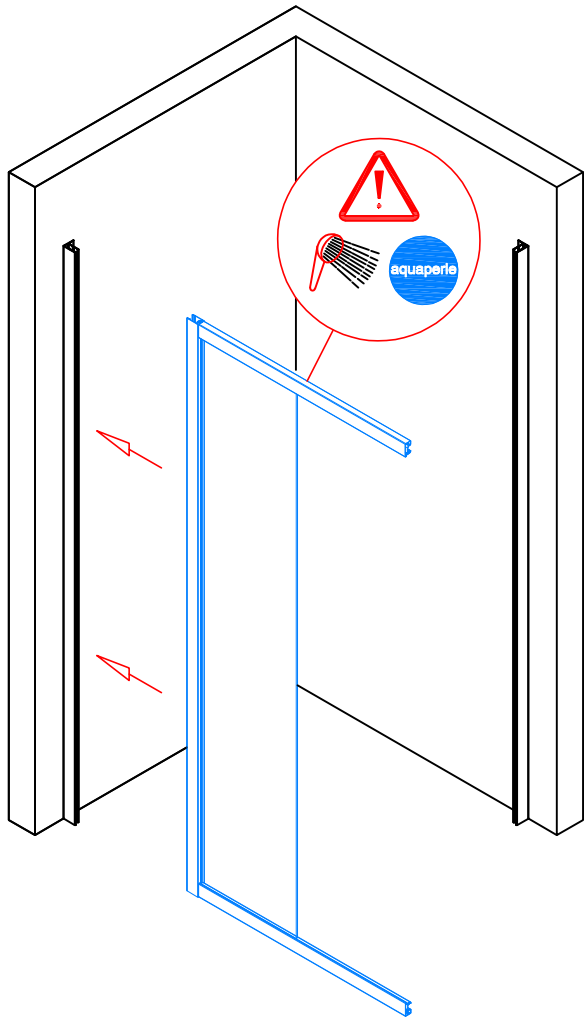
9.



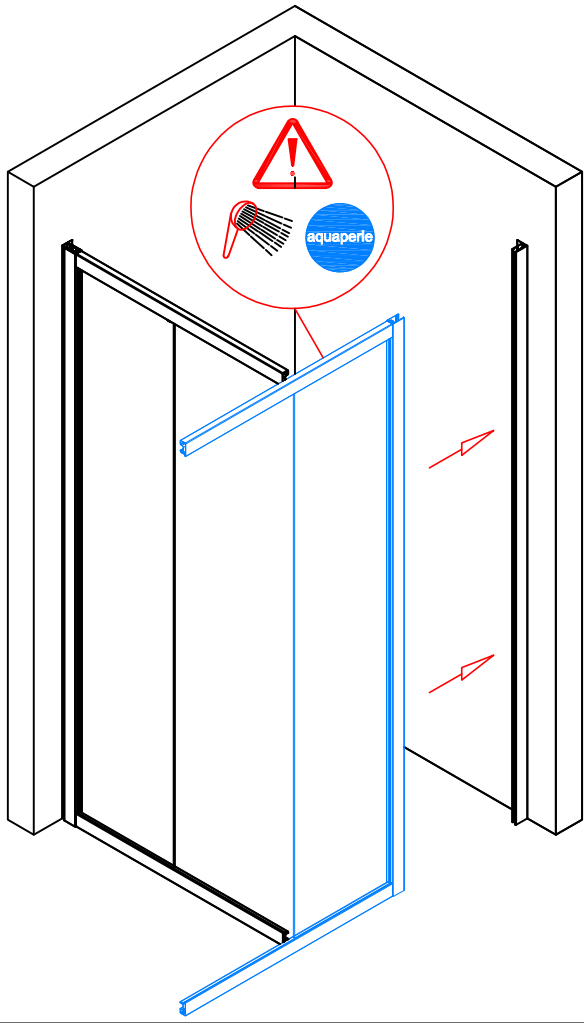
10.



11.



12.



# 13.1 → 13.2

## 13.1

81448

14194

14194

# 14.1 → 14.2

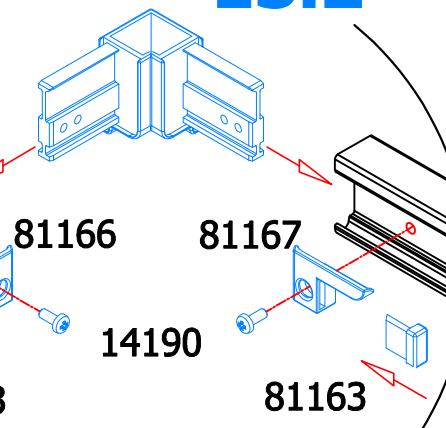
81448

## 14.1

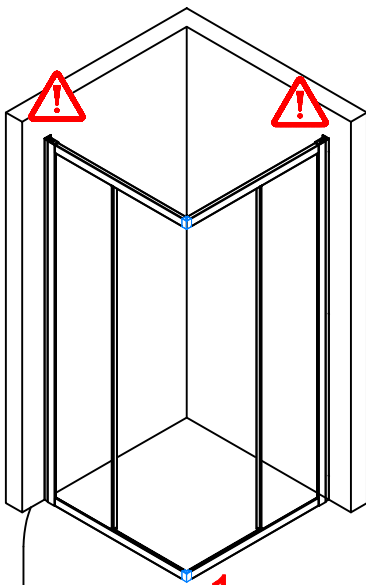
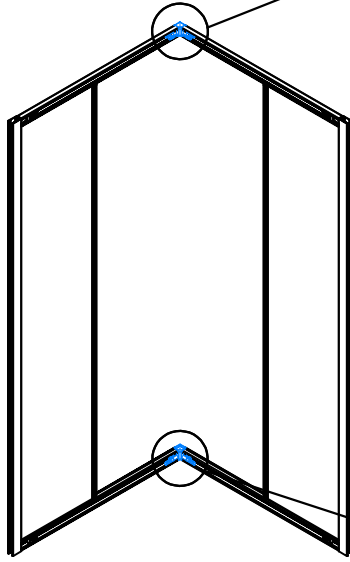
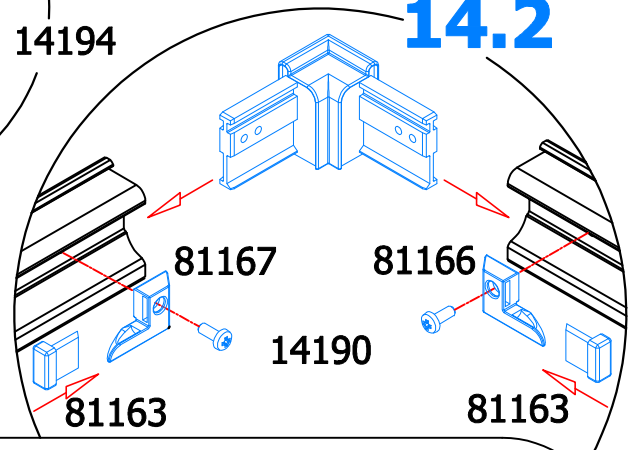
14194

14194

## 13.2



## 14.2

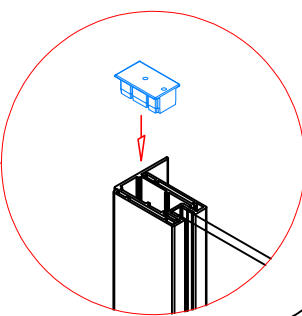
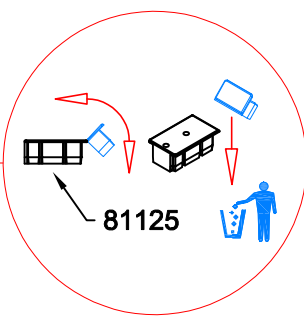
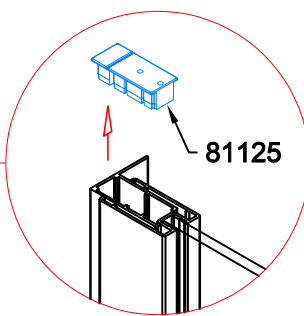
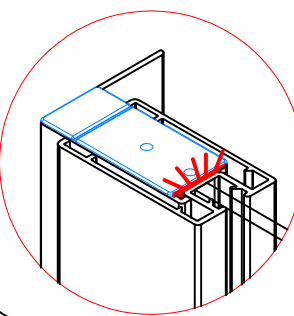


1

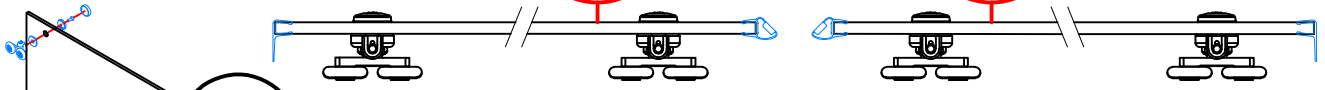
2

3

4



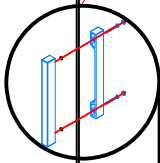
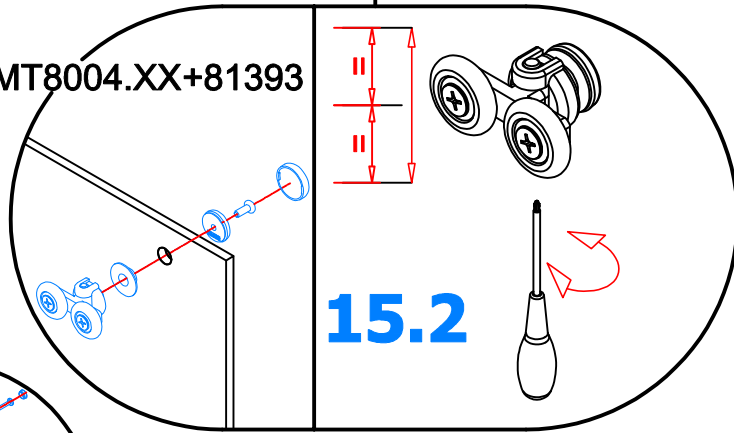
**15.1 → 15.4**



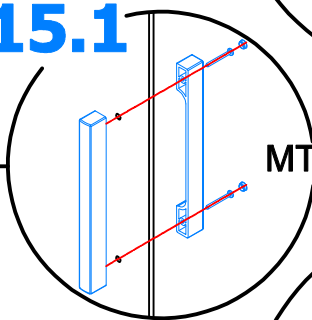
**2x**



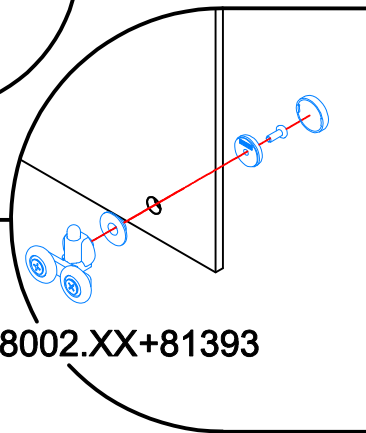
**2xMT8004.XX+81393**



**15.1**

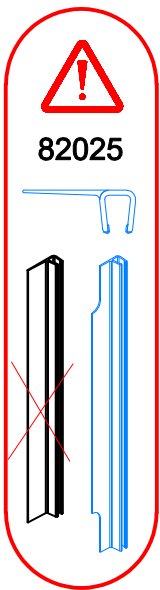


**MT0519.XX**



**15.3**

**2xMT8002.XX+81393**

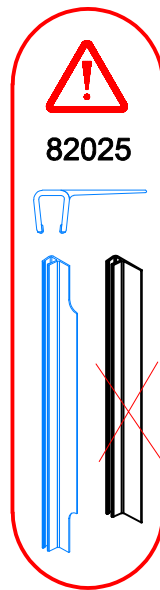


**82025**

**15.4**

**15.4**

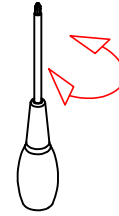
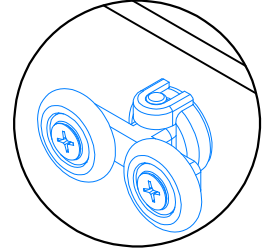
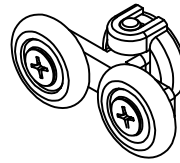
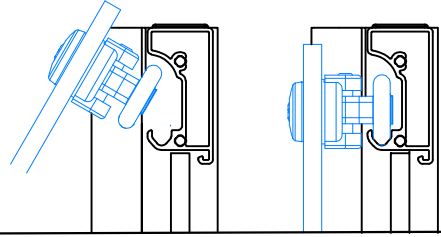
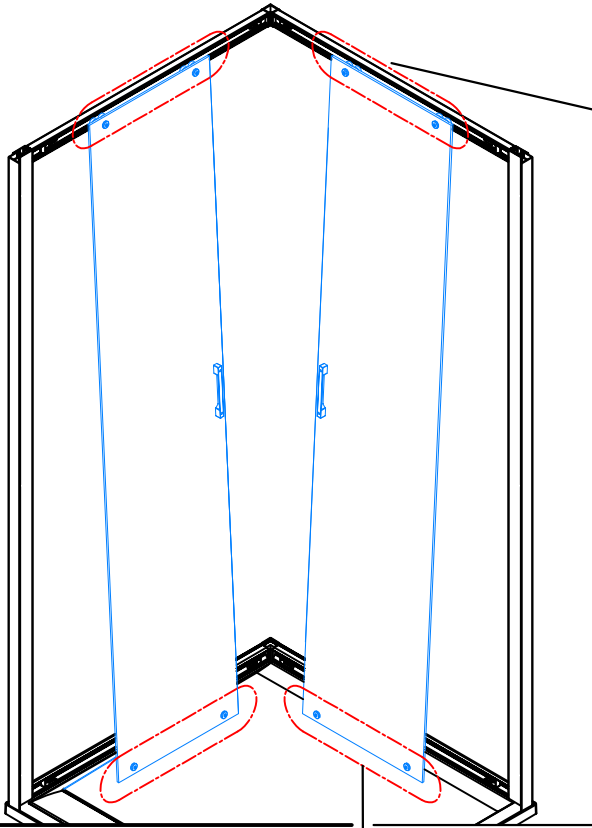
**42352**



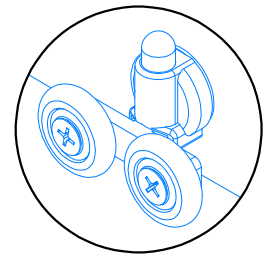
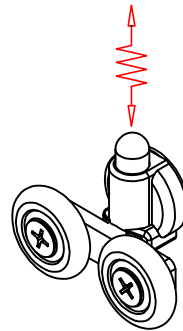
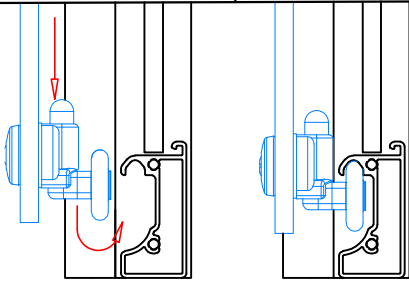
**82025**

**16.1 → 16.2**

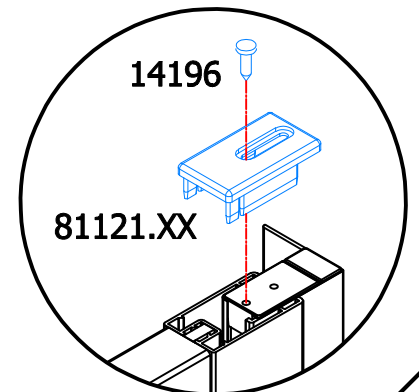
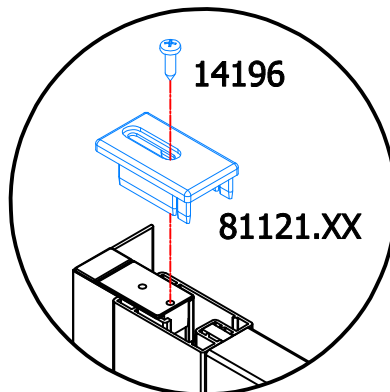
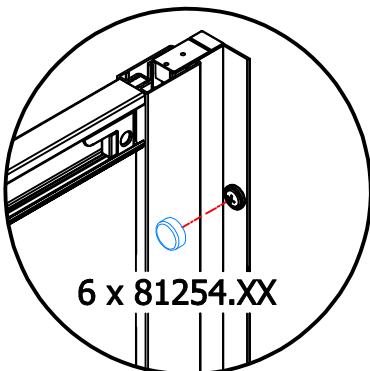
**16.1**

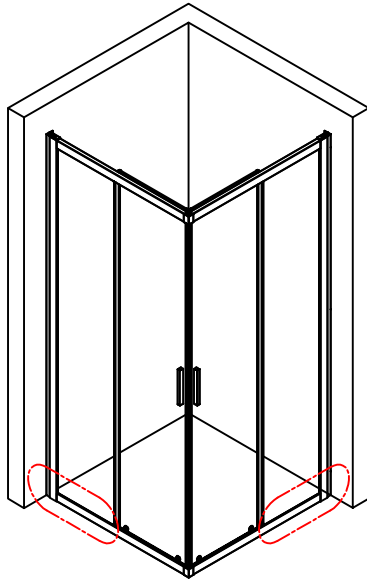


**16.2**

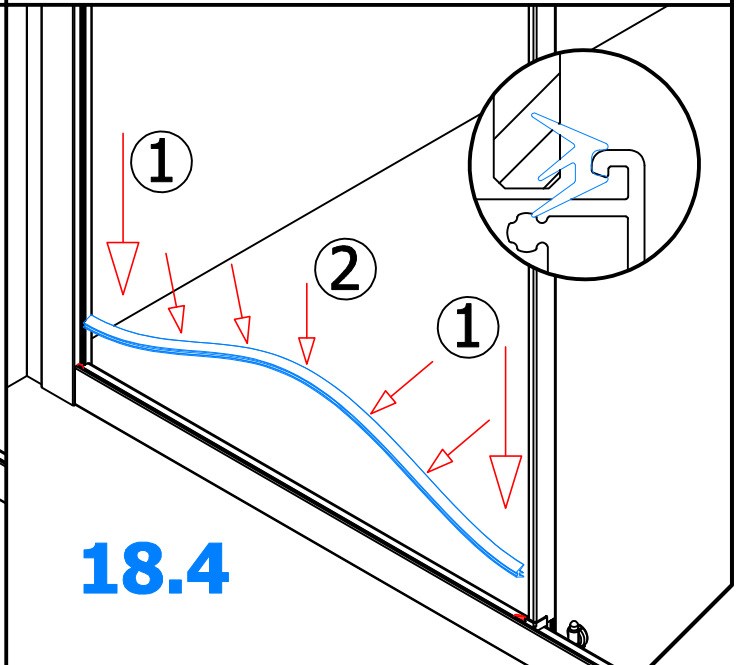
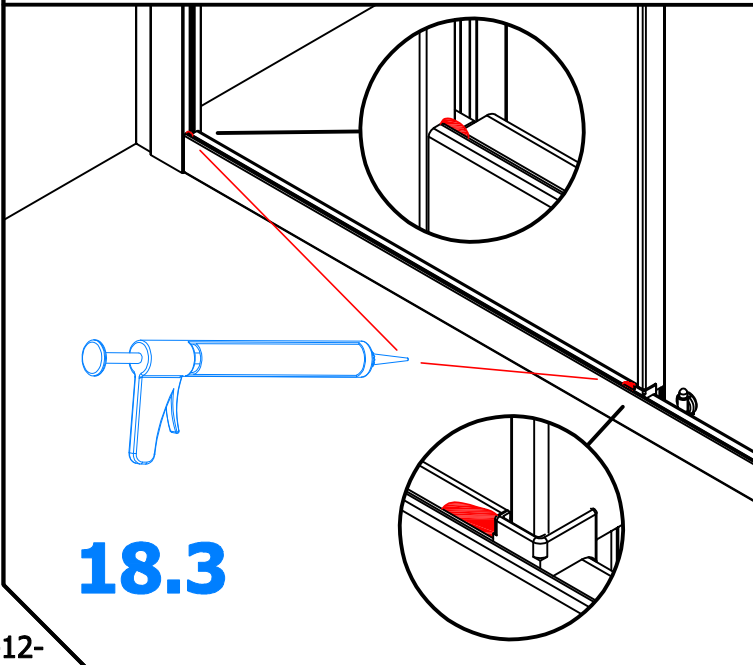
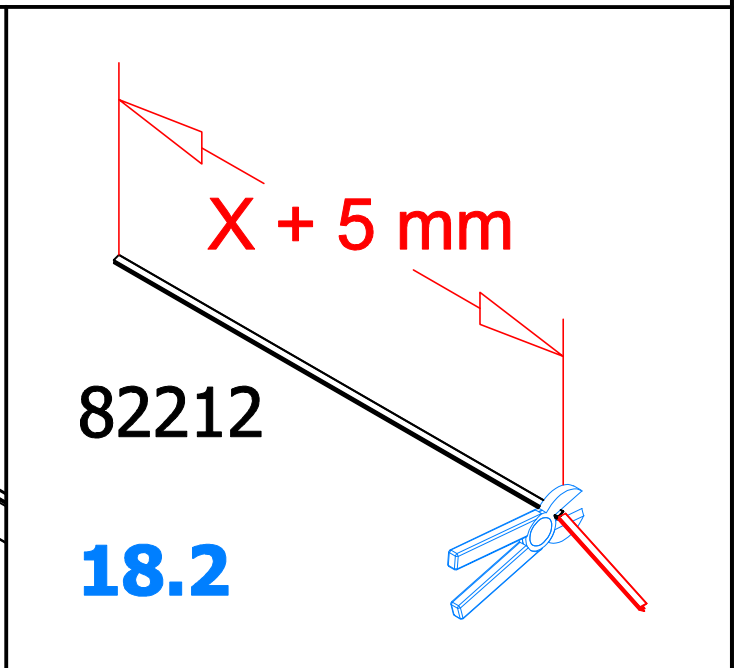
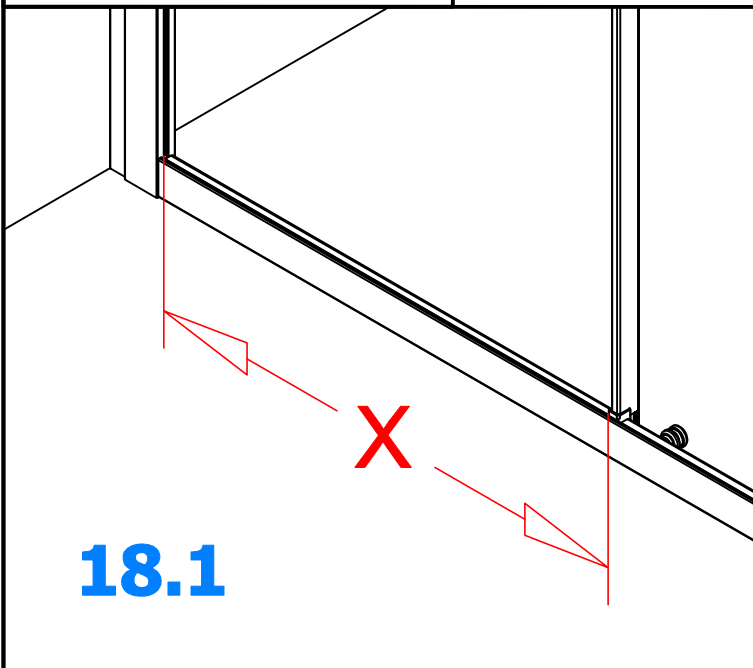


**17.**

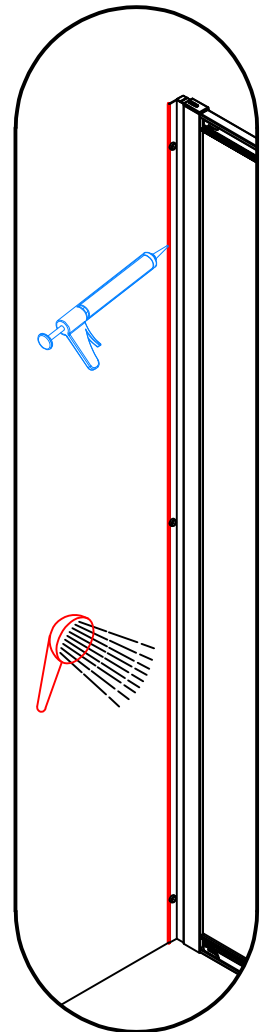
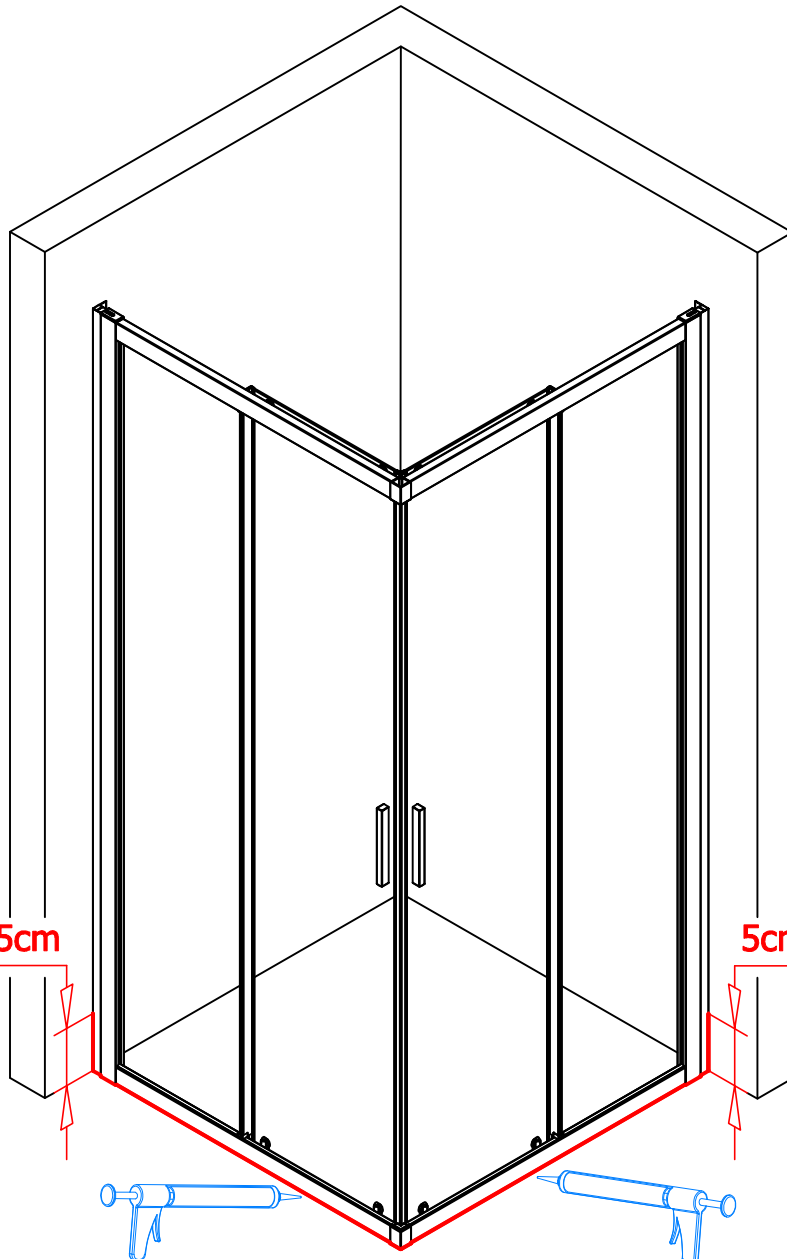
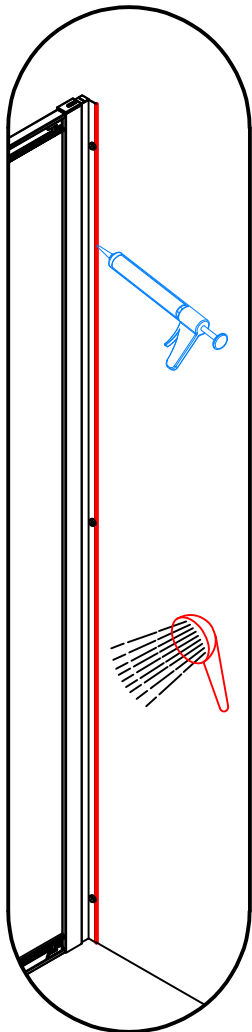
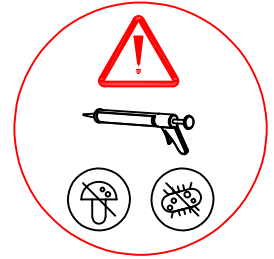
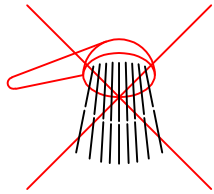
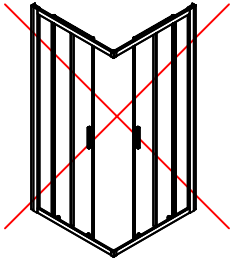




**18.1 → 18.4**



# 19.



# D21SE2 / D21SE2U

