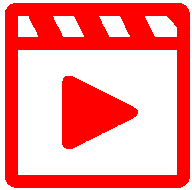
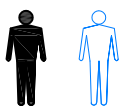
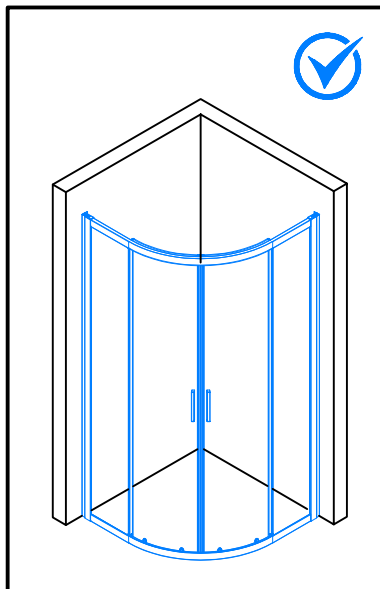


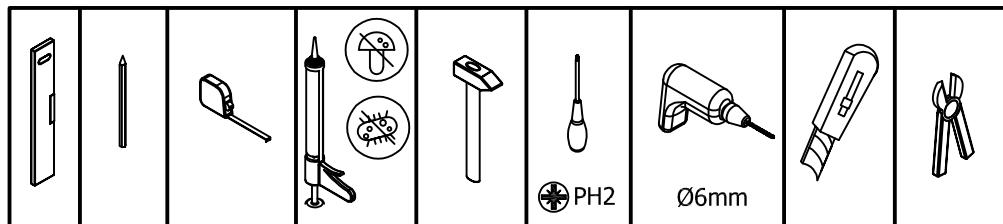
19882

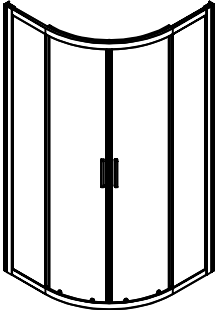




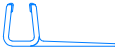


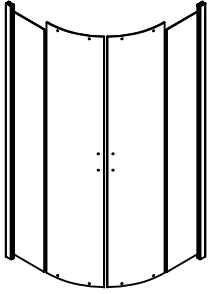















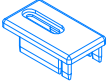
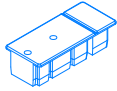




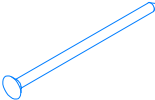
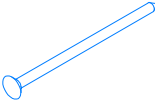
D21SR

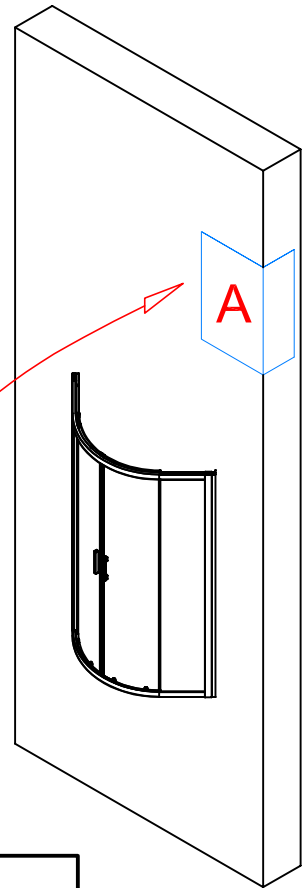
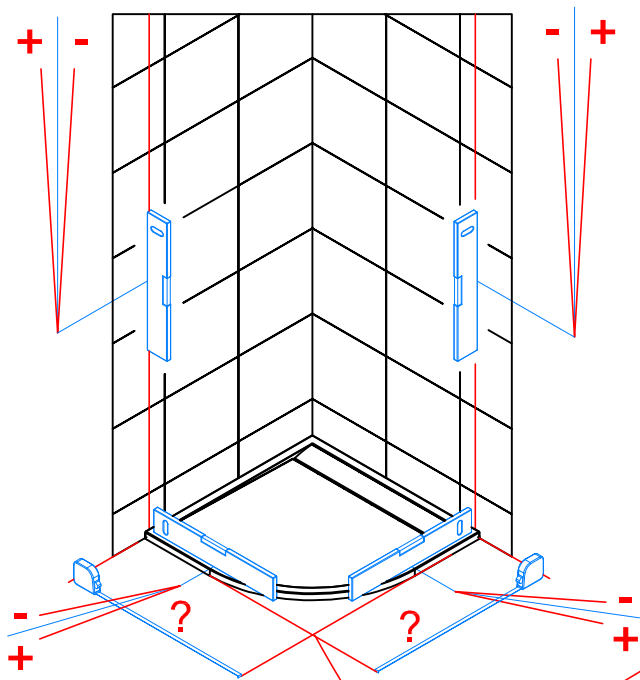


1x



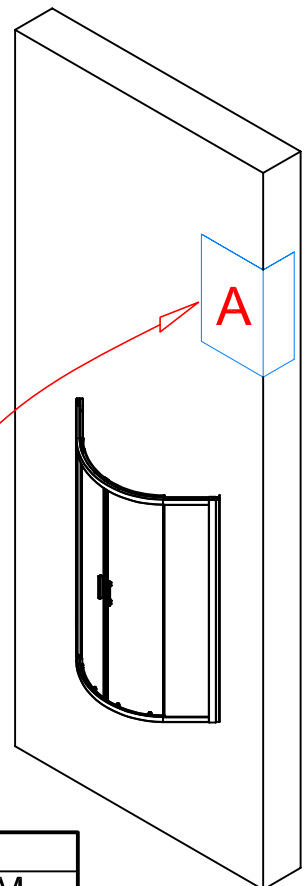
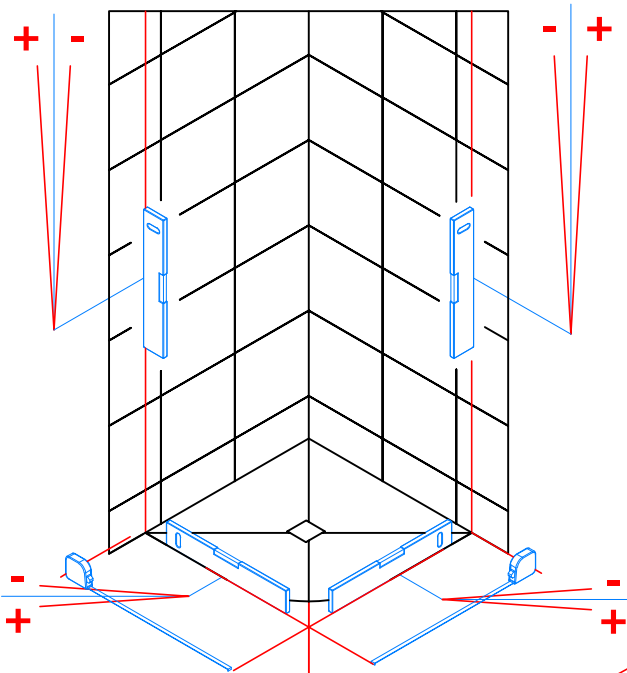
	<p>2X 80002FXX.XXXX</p>  	<p>2X 82014.XXXX</p>  	<p>2X 82025FXXXX 2X 82025.XXXX</p>   	 
	<p>2X 80602D21SR55E1XX.XXX</p>  	<p>2X 82212.XXXX</p>  		

	 <p>6 x 16000 ø 6mm</p>	 <p>6 x 14295 4.2 X 32mm</p>	 <p>8 x 81393.XX</p>	 <p>4 x MT8004.XX</p>	 <p>4 x MT8002.XX</p>	
	 <p>2 x 14196 3.5 X 13mm</p>	 <p>8 x 14016 3.5 X 25mm</p>	 <p>2 x 81121.XX</p>	 <p>2 x 81125.XX</p>	 <p>2 x 81376</p>  <p>2 x 81377</p>	
	<p>6 x 81253</p>  	 <p>6 x 81254.XX</p>	<p>1 x 11221</p> 			

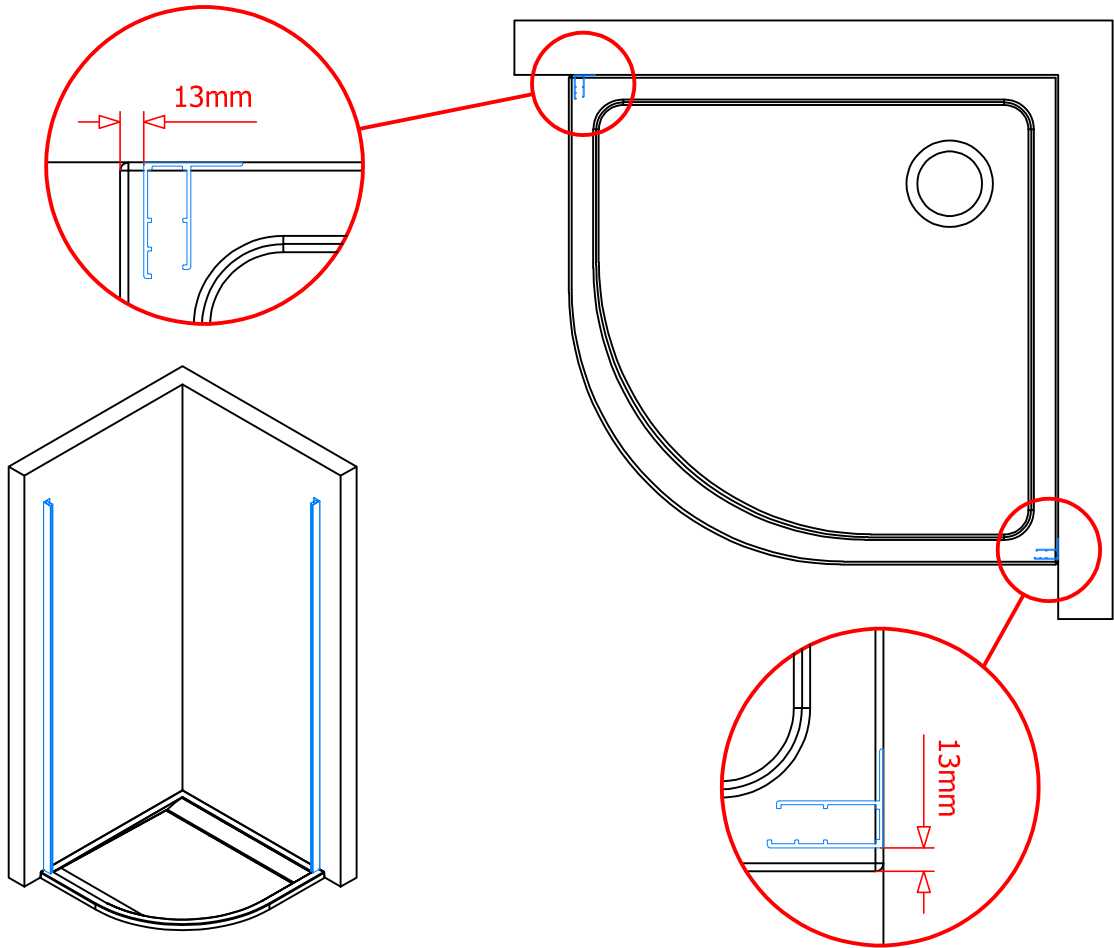


A	
STD	SM
-23 ; +7	-10 ; +20

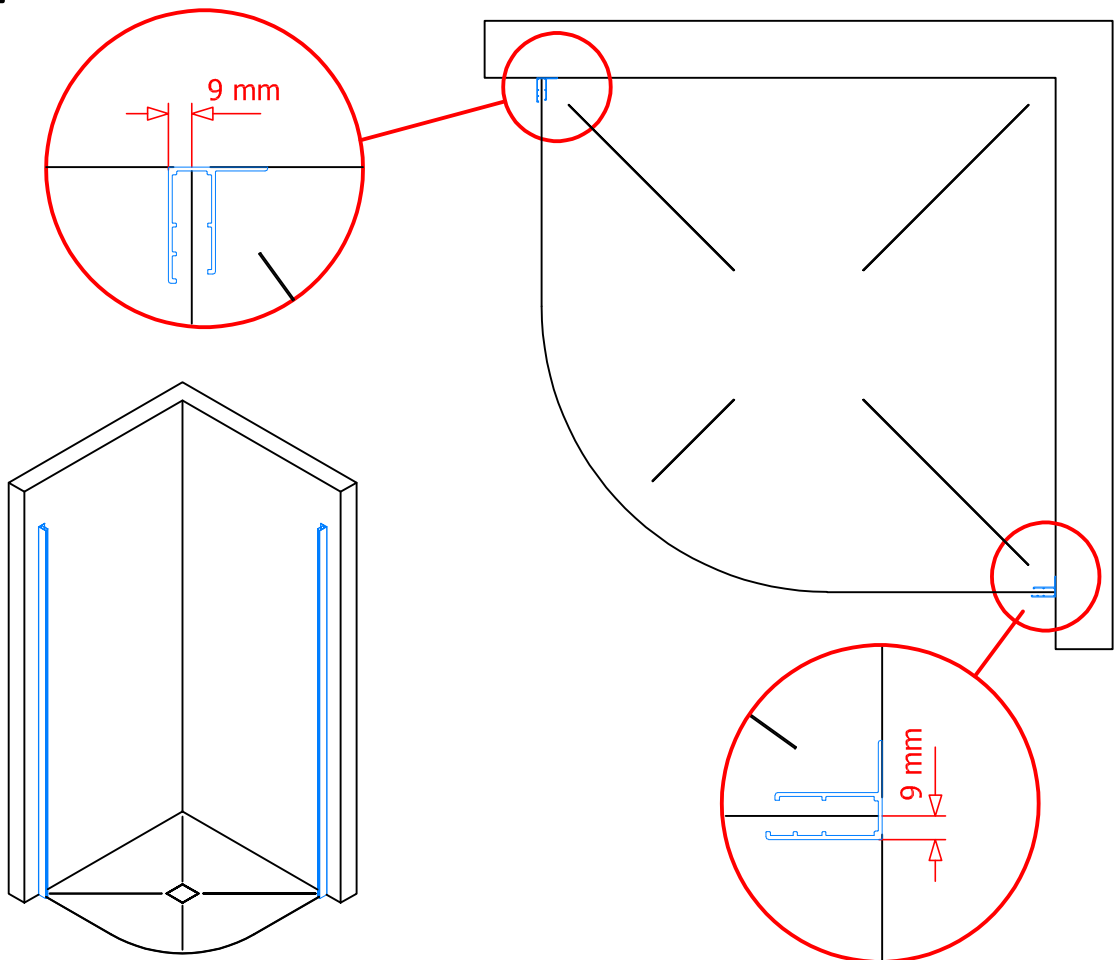
1.



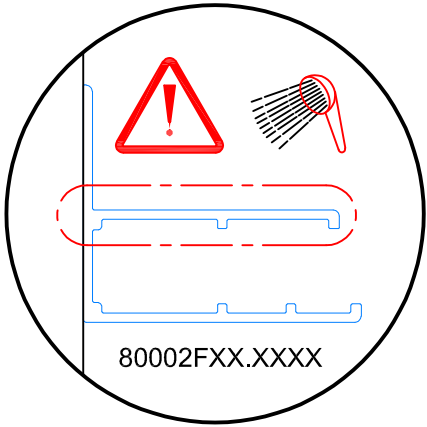
A	
STD	SM
-45 ; -15	-10 ; +20



2.

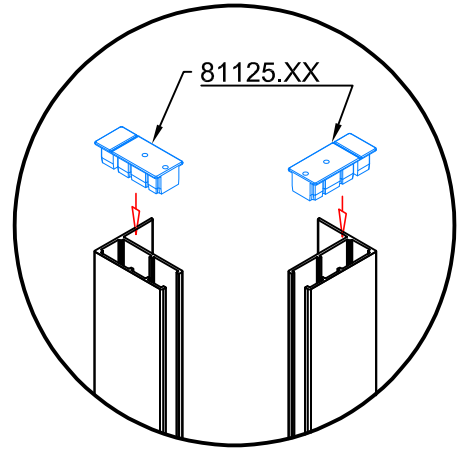
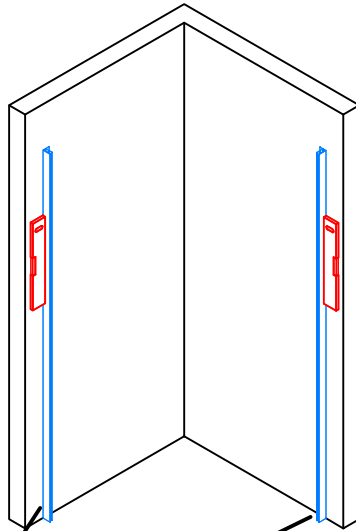


3.1 → 3.4

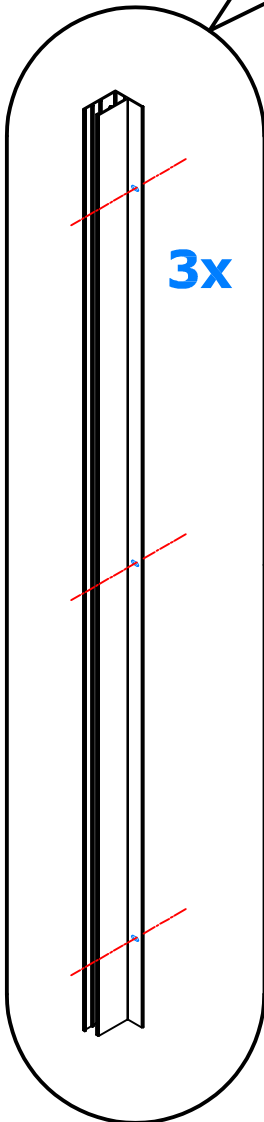


3.1

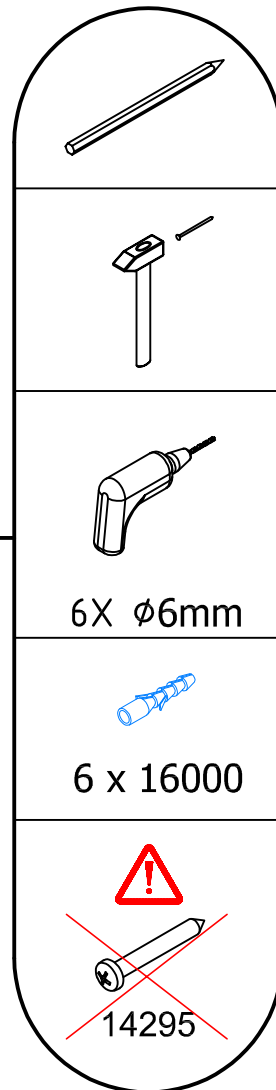
3.2



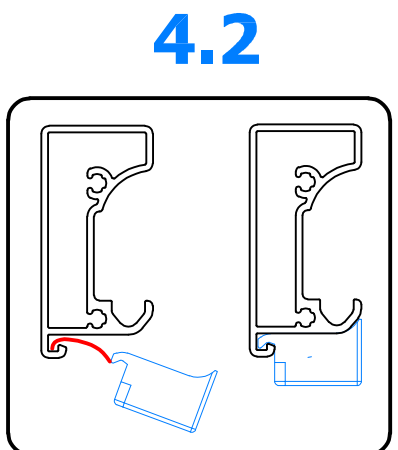
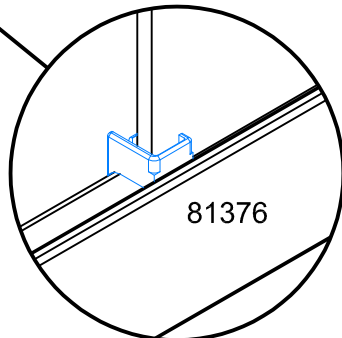
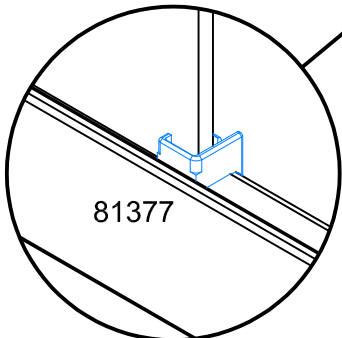
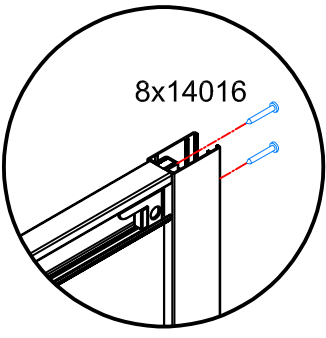
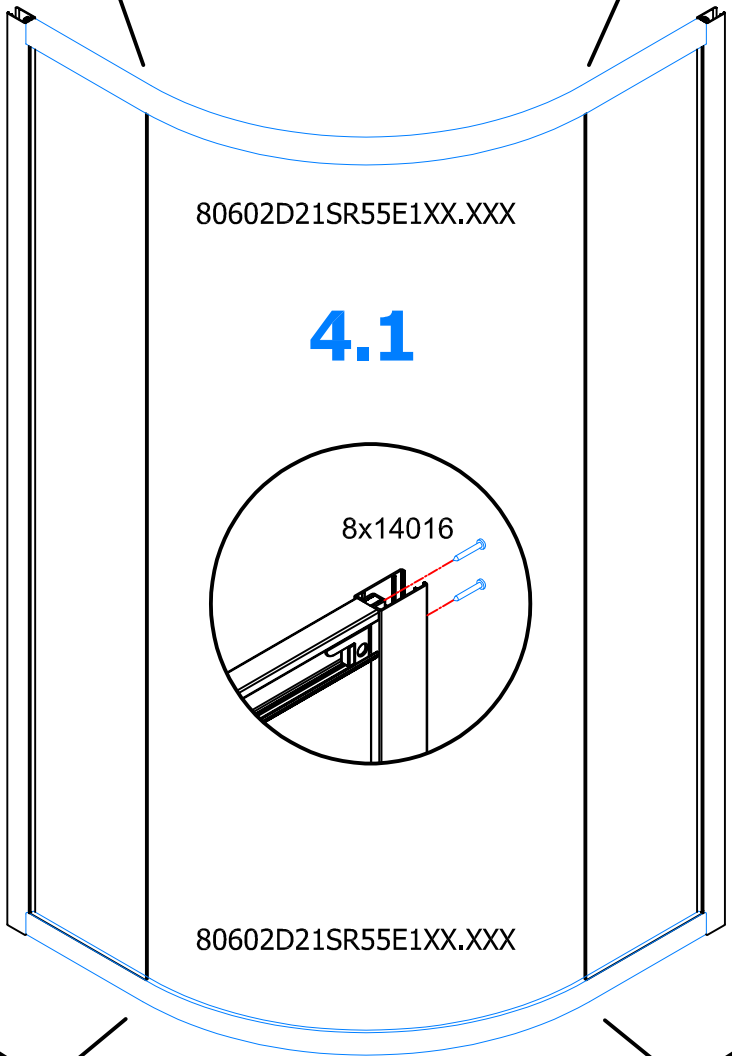
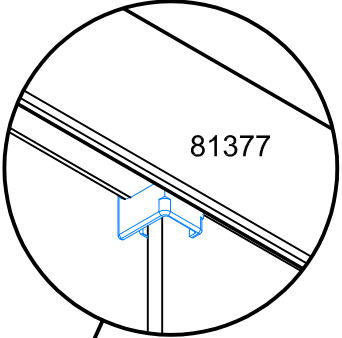
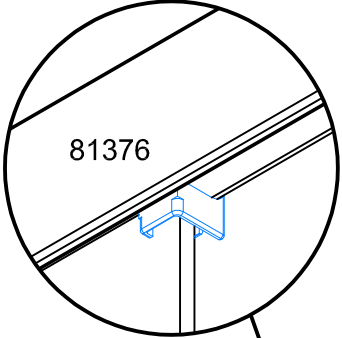
3.4



3.3



4.1 → 4.2

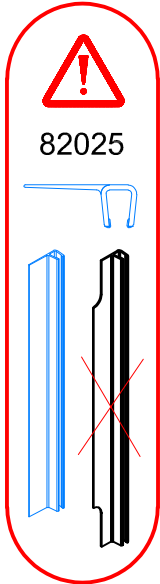


5.1 → 5.2

5.2

5.2

5.1



2

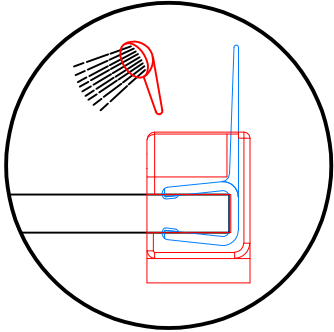
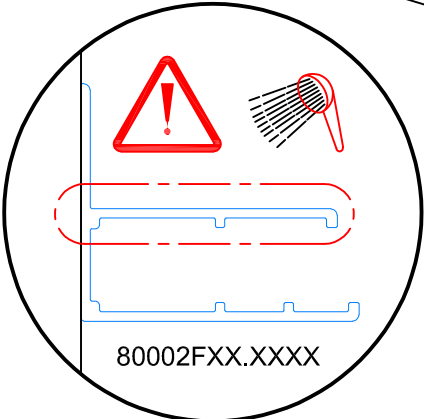
2

3

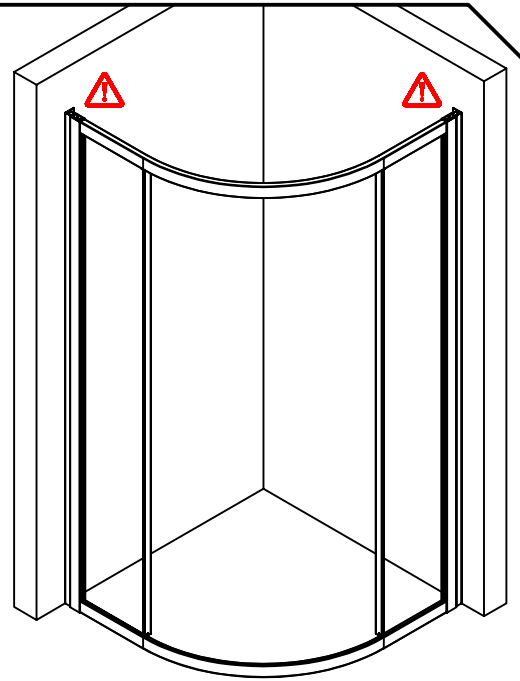
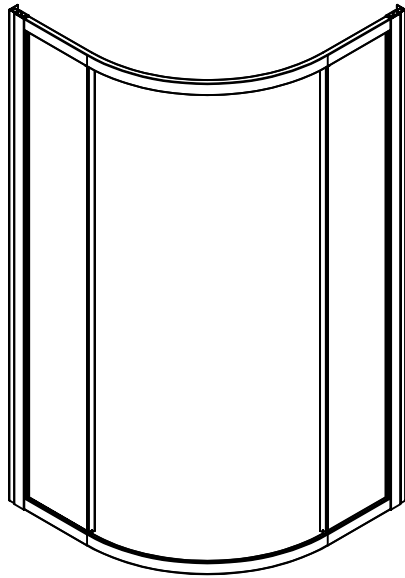
3

1

1

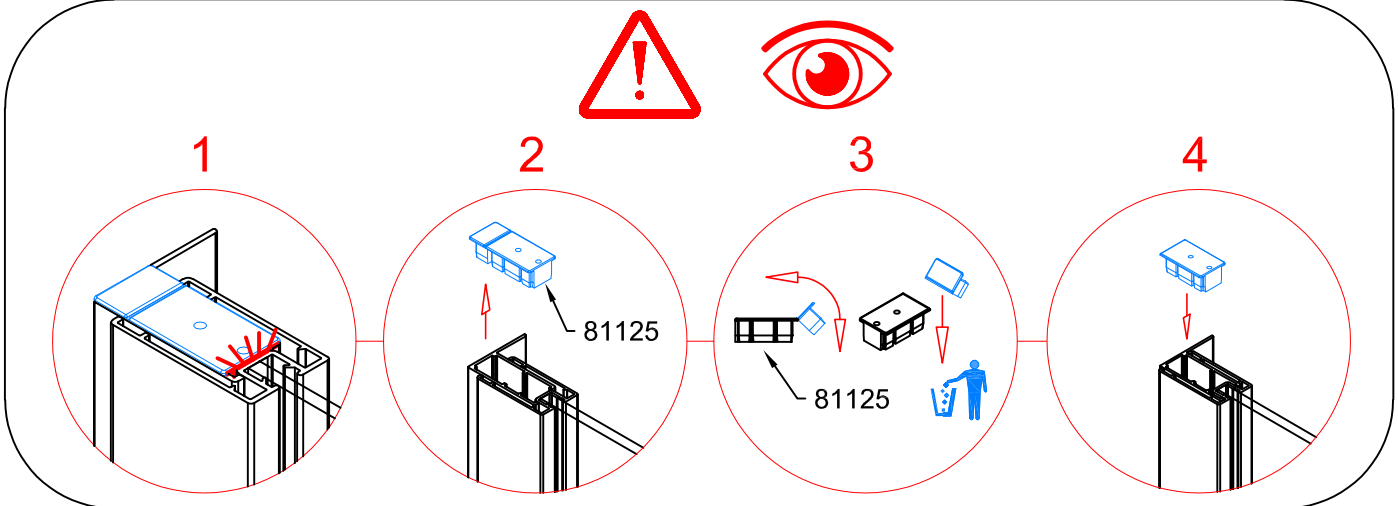
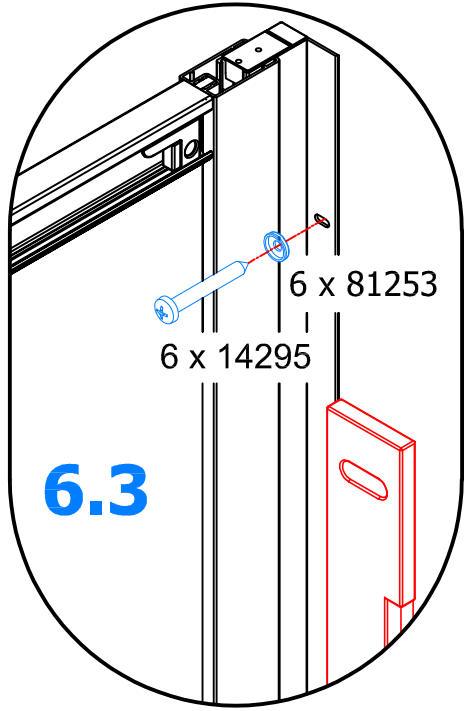
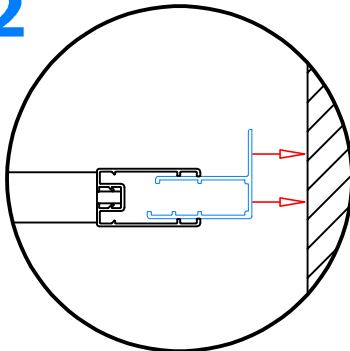
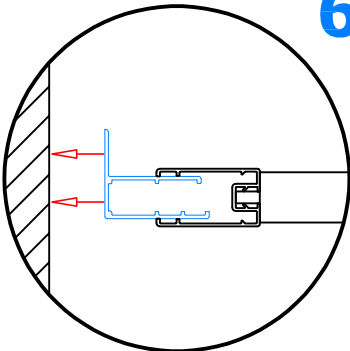


6.1 → 6.3

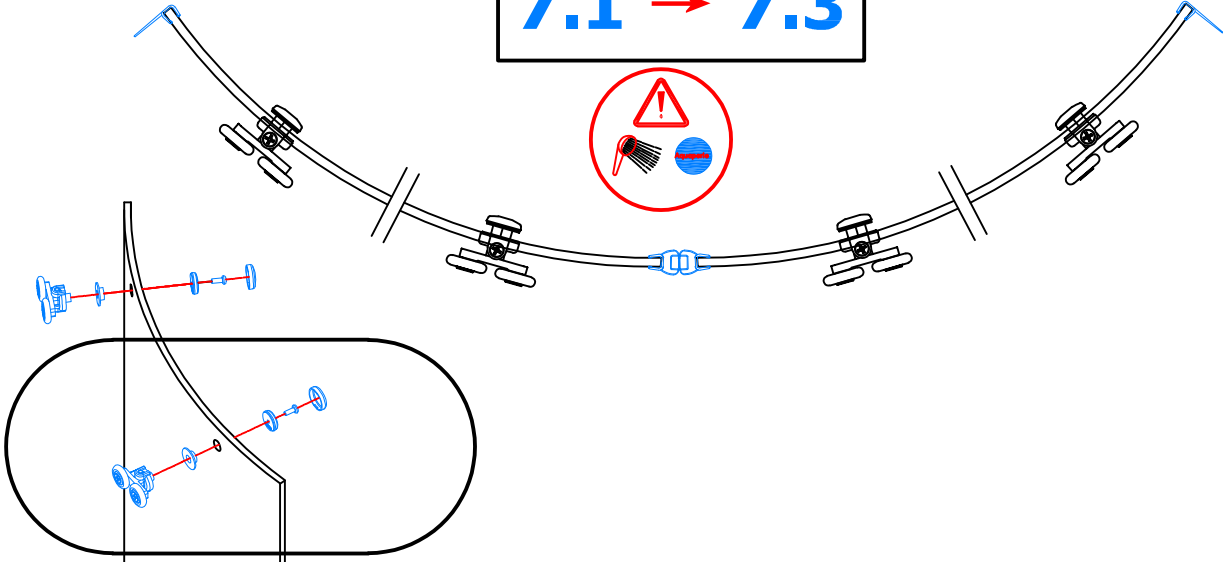


6.1

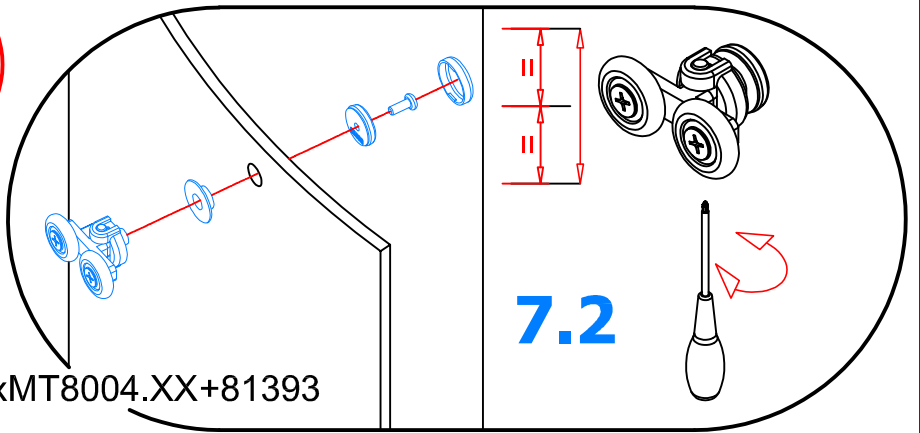
6.2



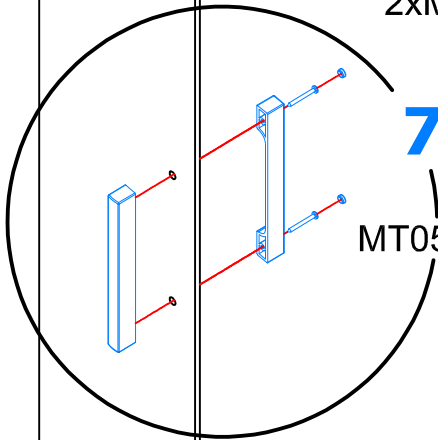
7.1 → 7.3



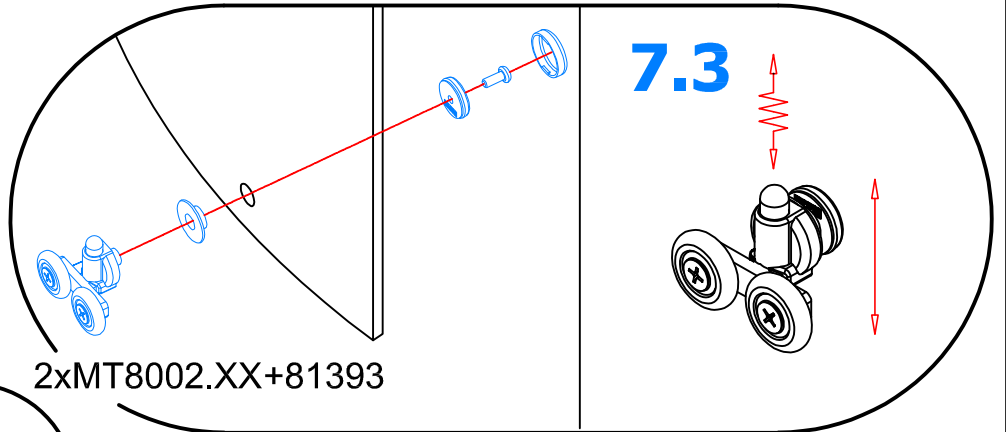
2x



2xMT8004.XX+81393

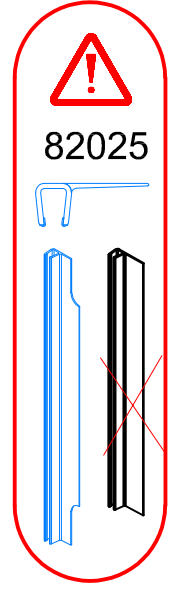
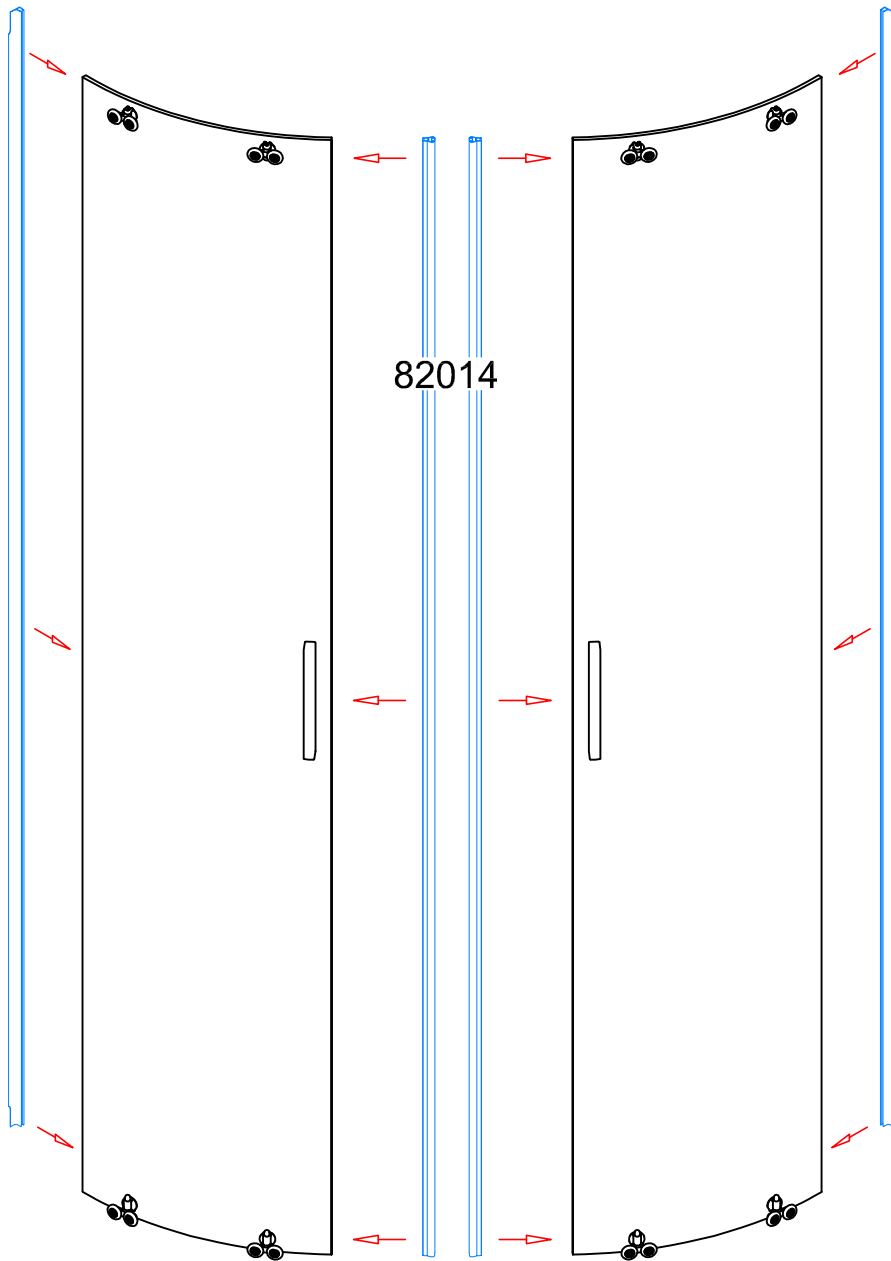
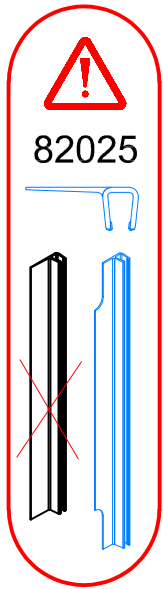


MT0519.XX



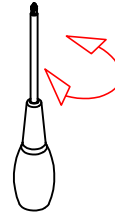
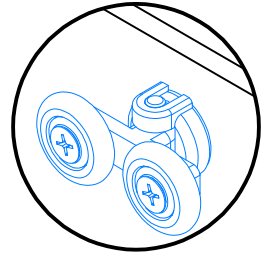
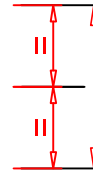
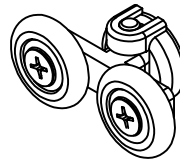
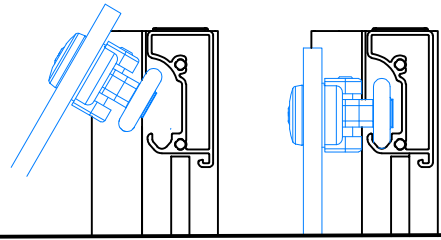
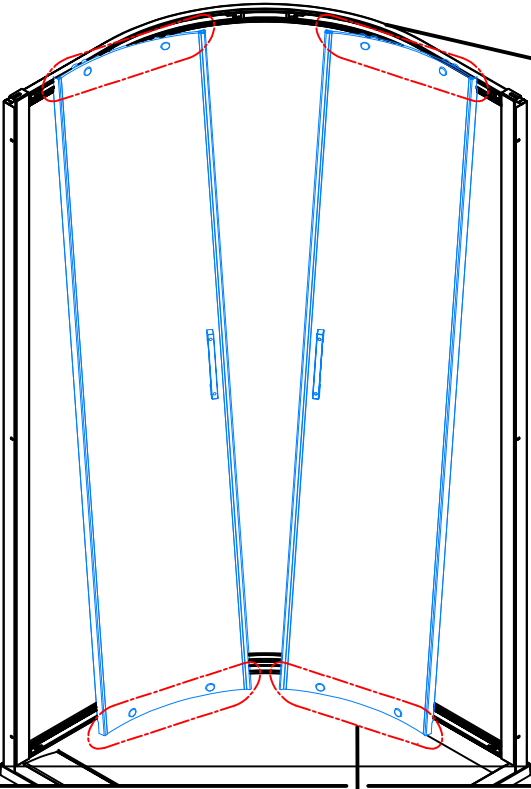
2xMT8002.XX+81393

8.

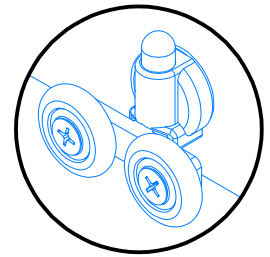
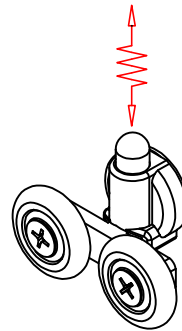
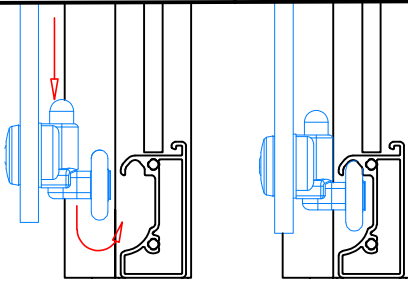


9.1 → 9.2

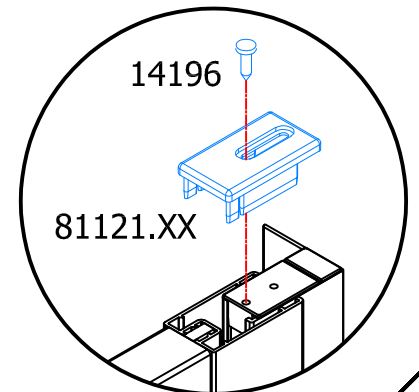
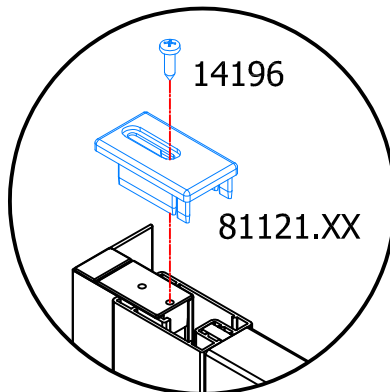
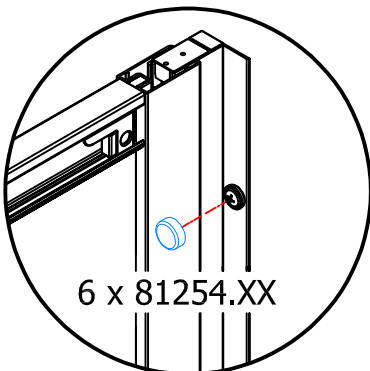
9.1



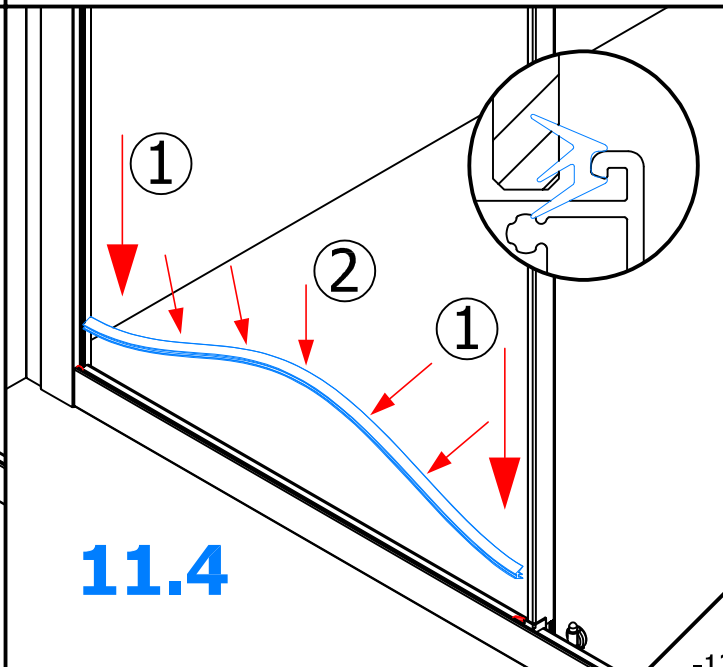
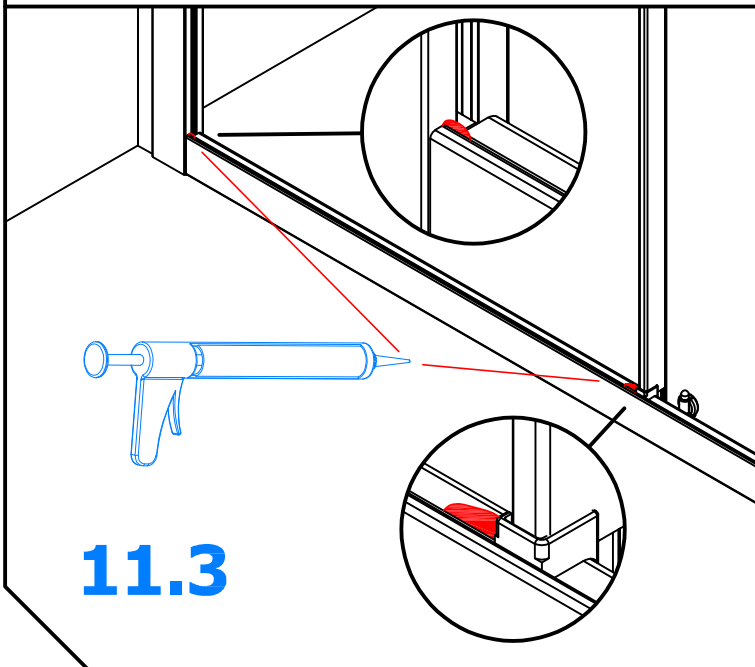
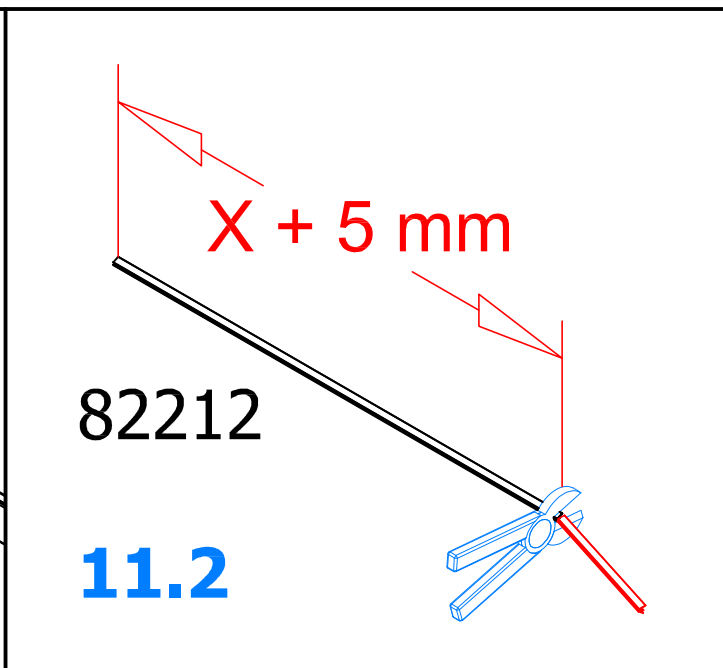
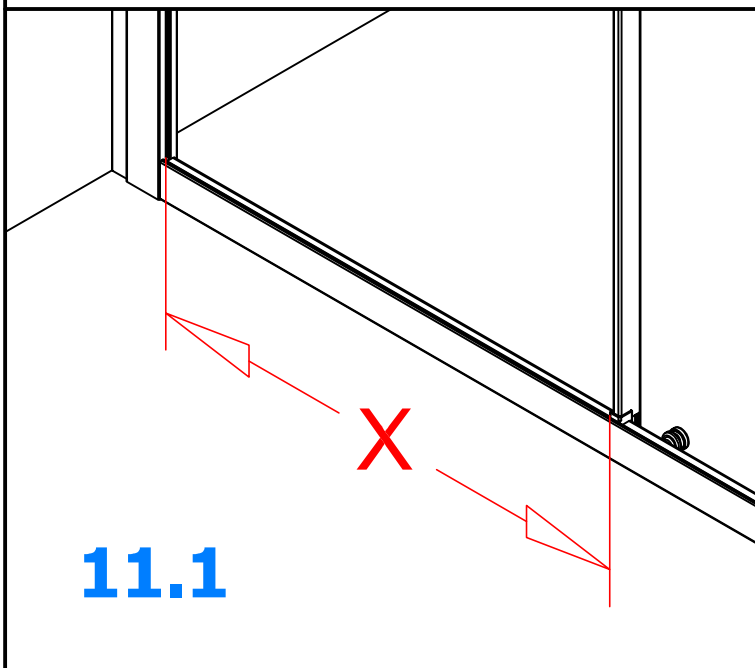
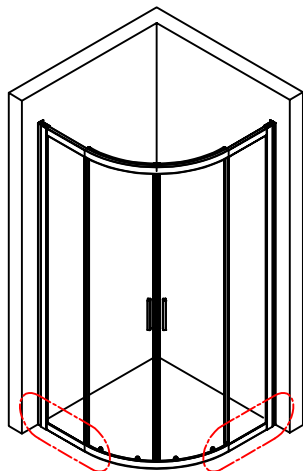
9.2



10.



11.1 → 11.4



12.

