

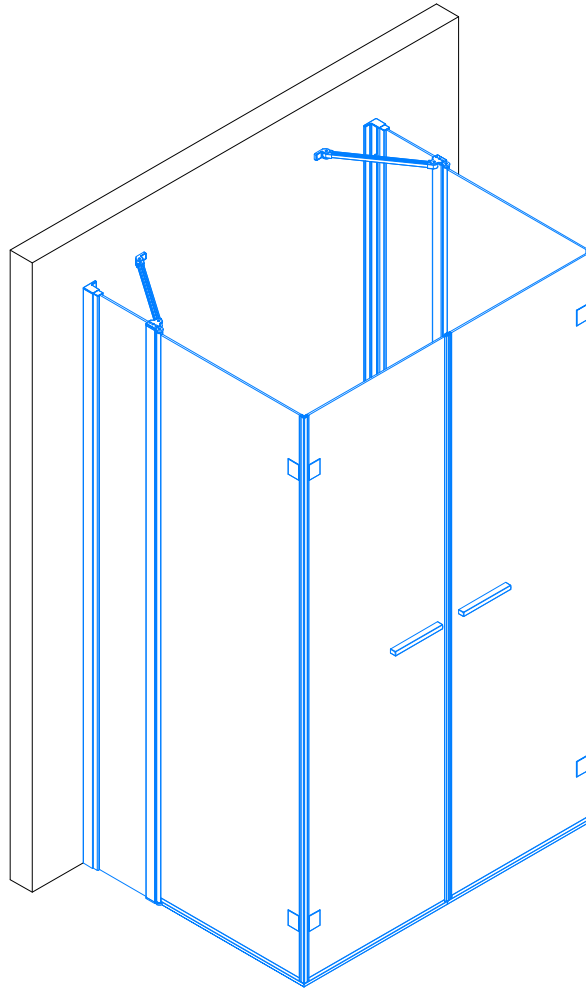
19721



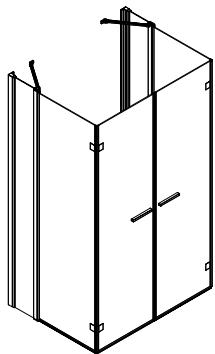
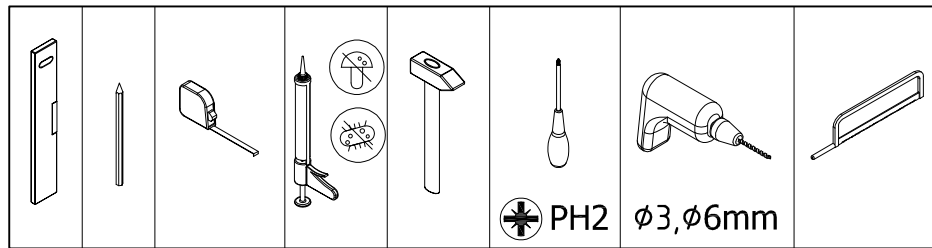
1.

-

14.

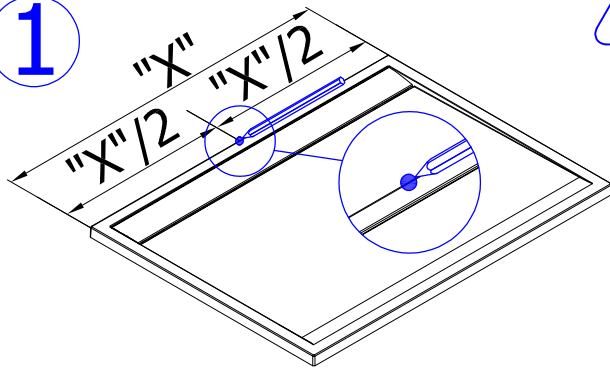


2x

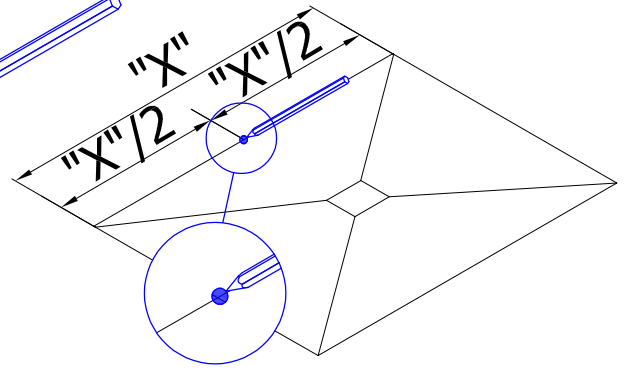


2x50045 	42352TL (2x) 42352TR (2x) 	62100.x.2000 (2x) 	42356.1 (2x) 	2x52203U.1000.F
1x52203 (BZ-52203-034) 	1x52203 (BZ-52203-035) 	50504 (2x) 	MT0430.xx (2x) 	
L	R			

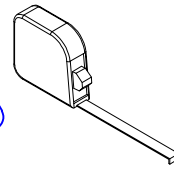
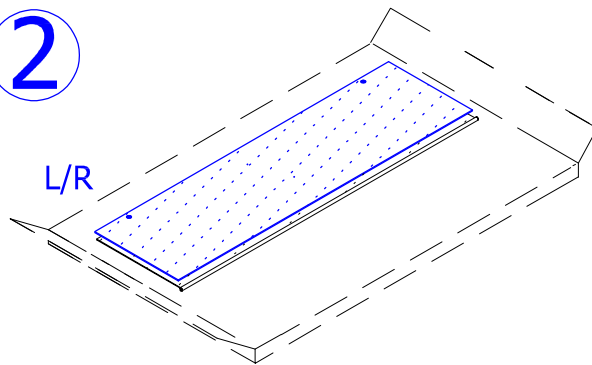
1



=



2

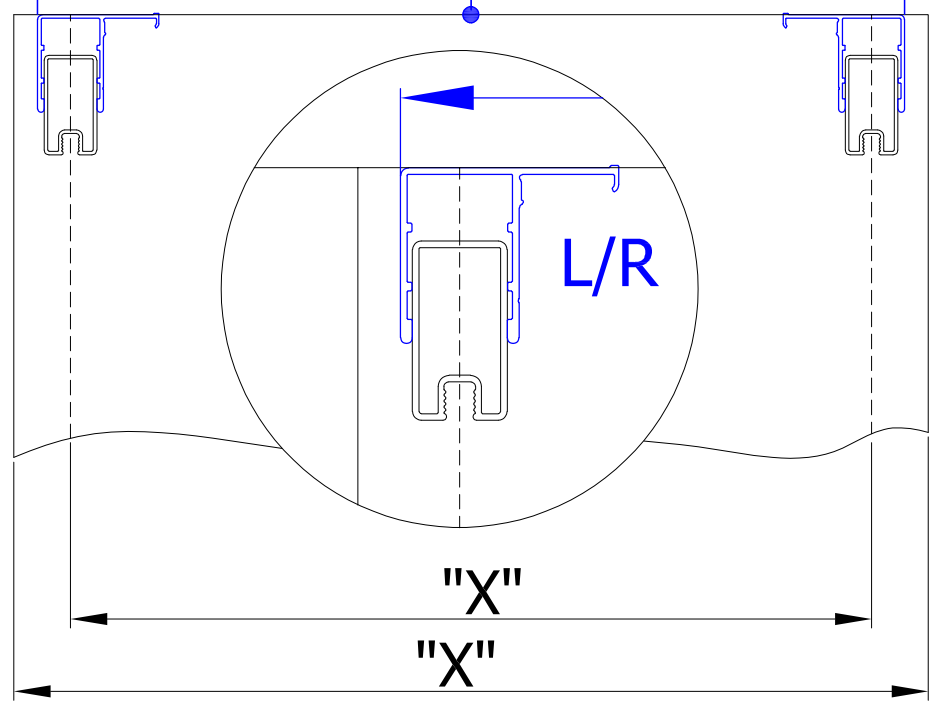
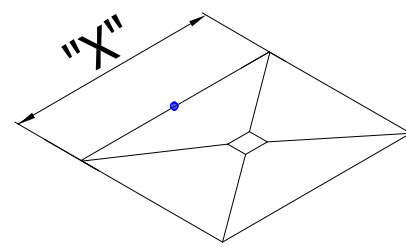
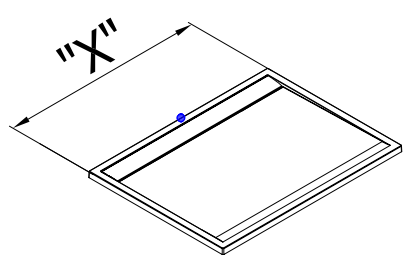


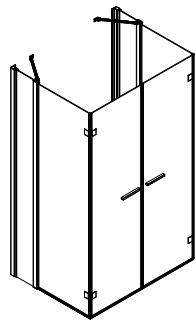
"Y"



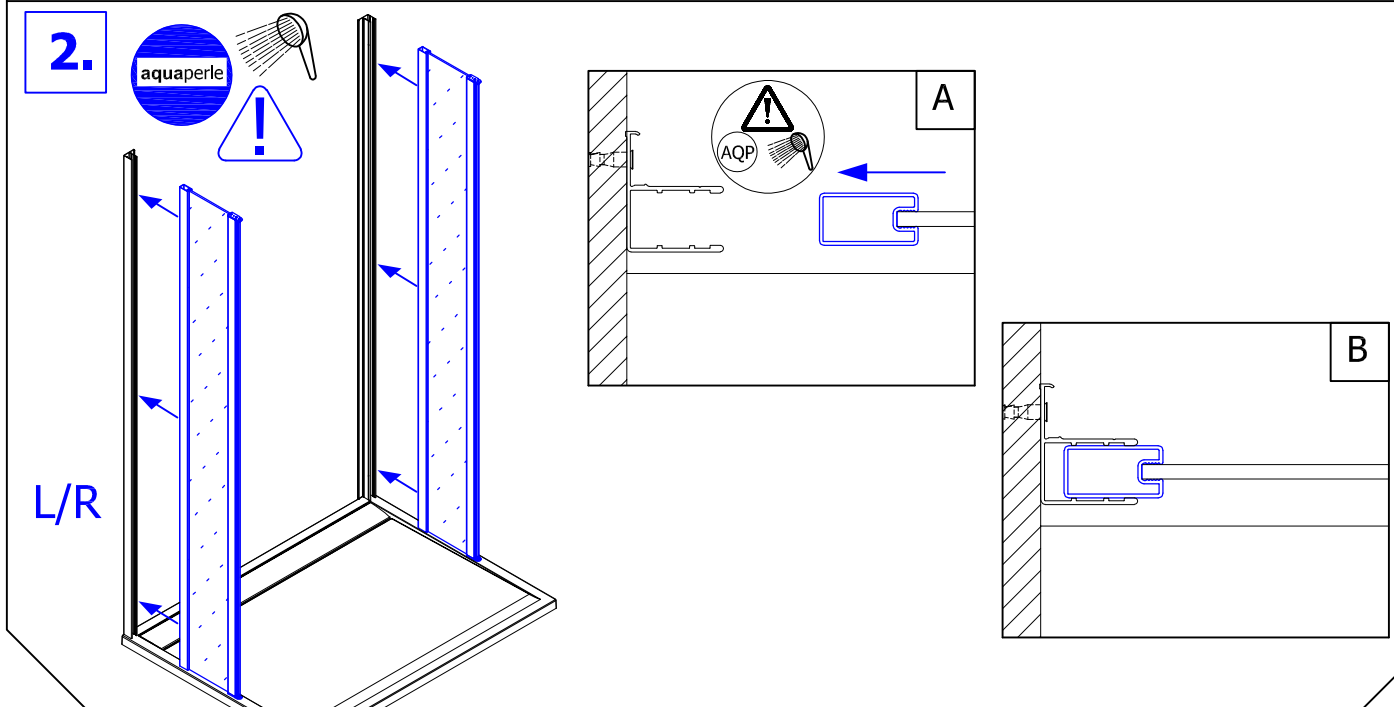
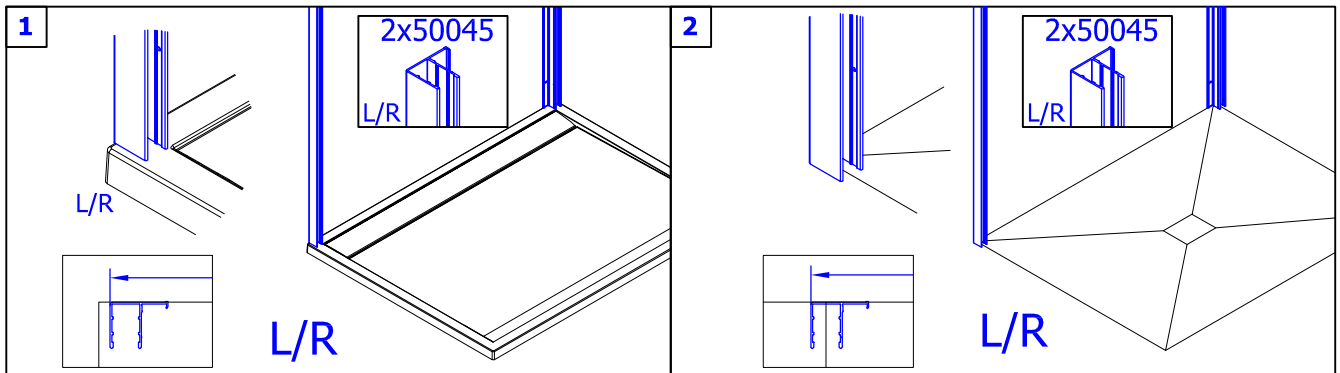
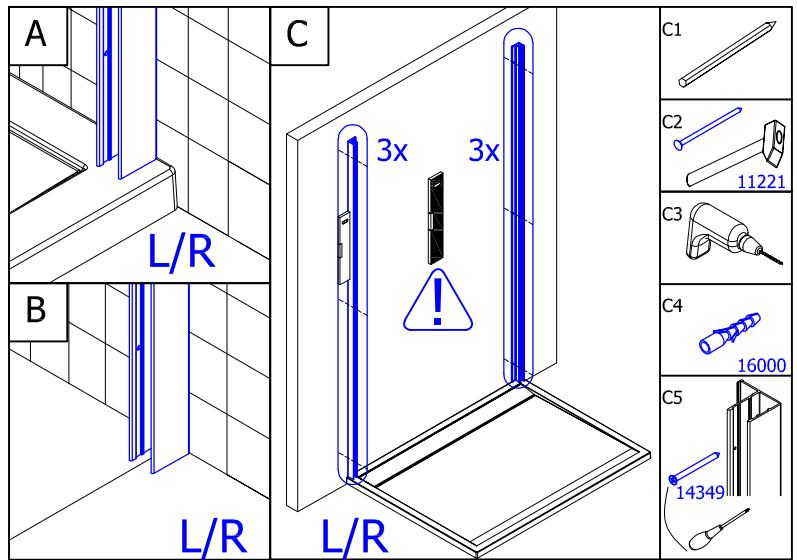
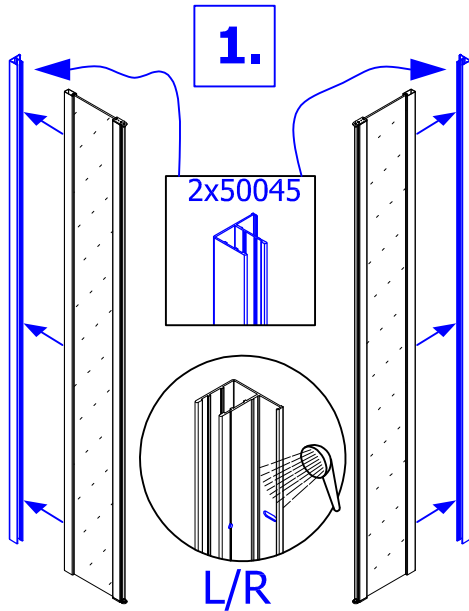
3 => 1.

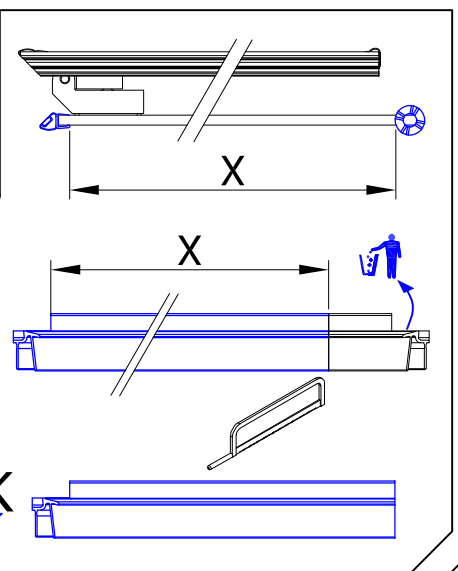
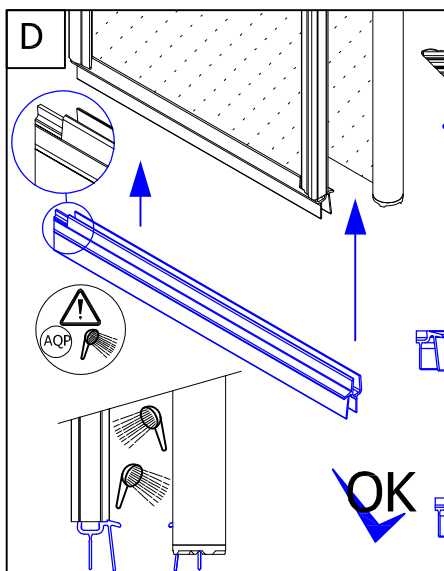
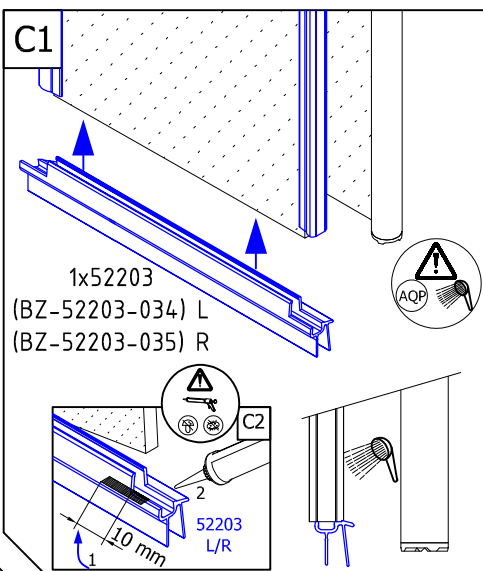
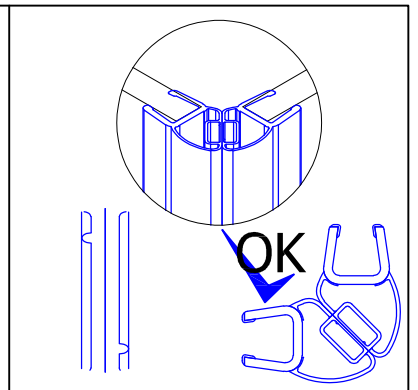
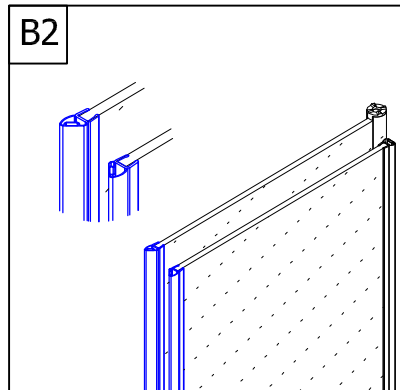
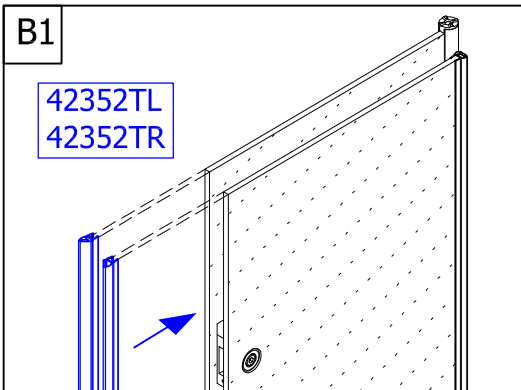
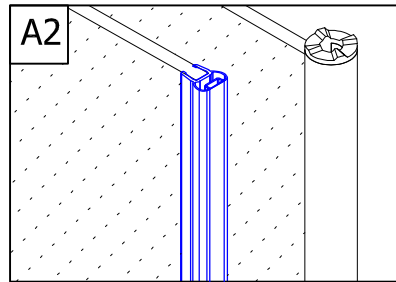
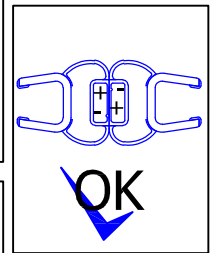
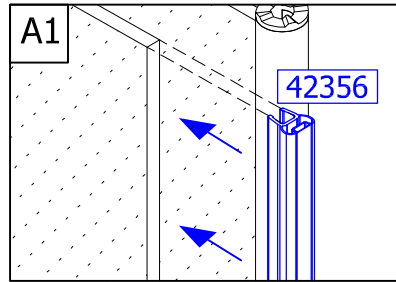
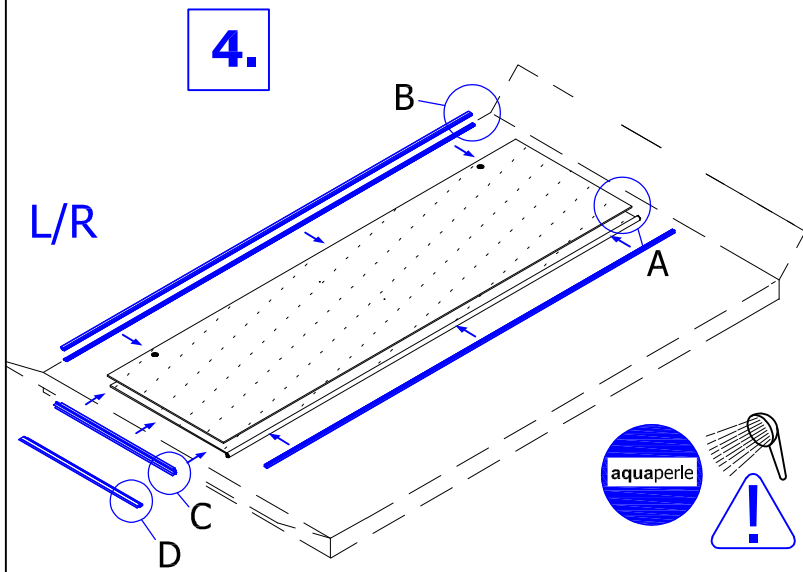
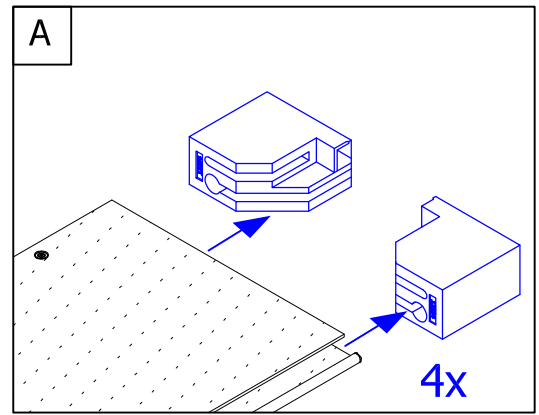
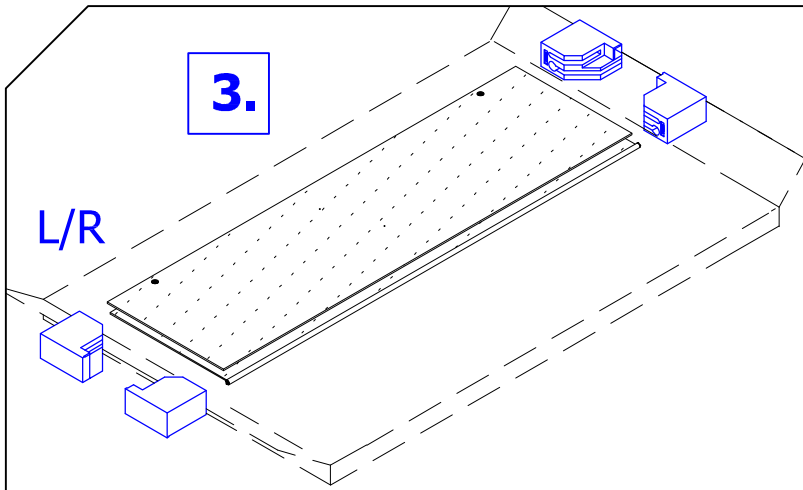
("Y"+29) x 2



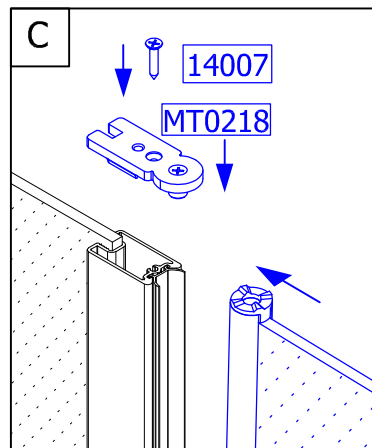
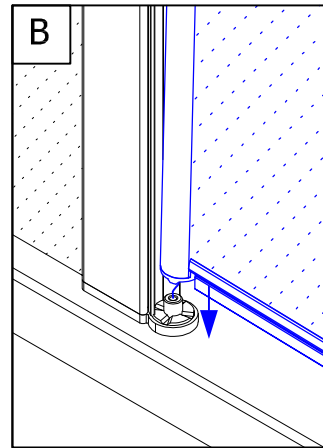
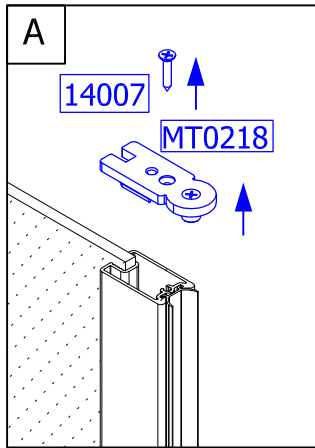
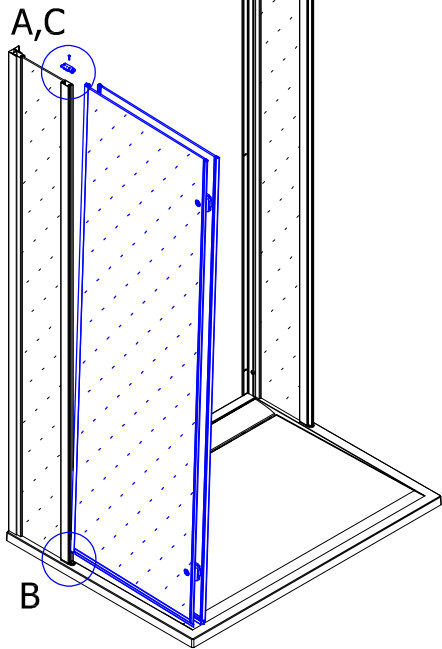


1 x 11221	1 x 32101	8 x 51821	4 x 51337	4 x 51338	1 x 51619	1 x 51620
2 x 51399	4 x 14003 3,5x9,5mm	6 x 14349 4,2 x 45mm	6 x 16000 Ø 6mm	2 x MT0235		

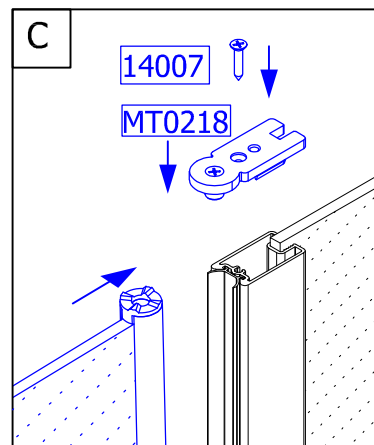
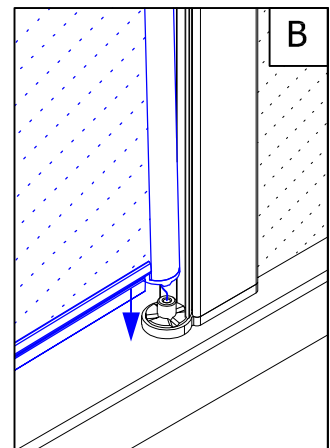
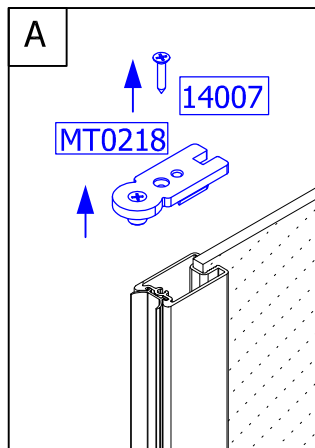
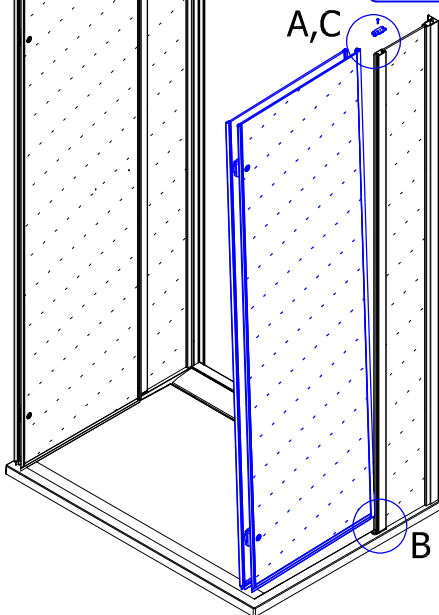
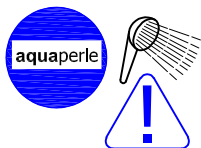




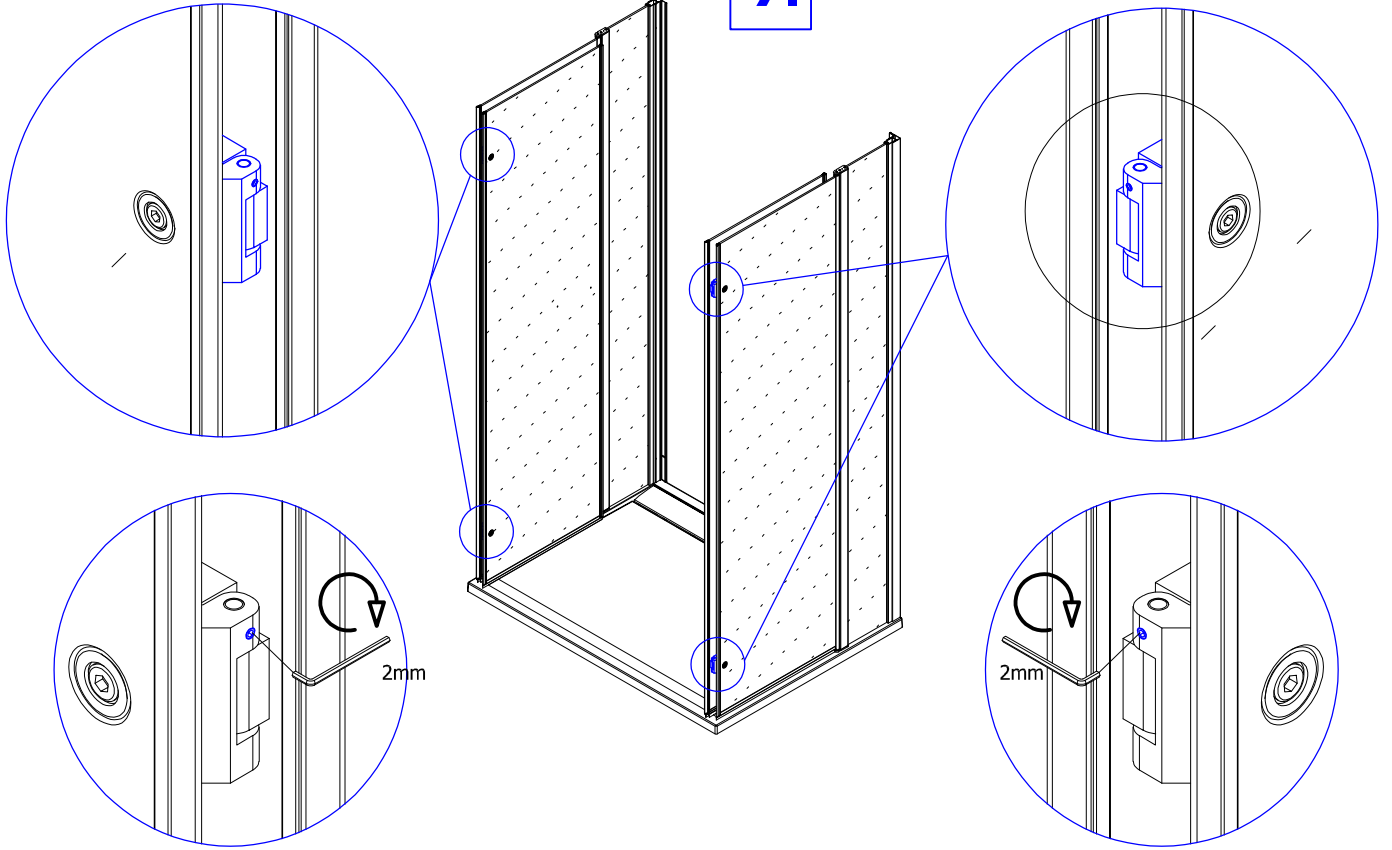
5.



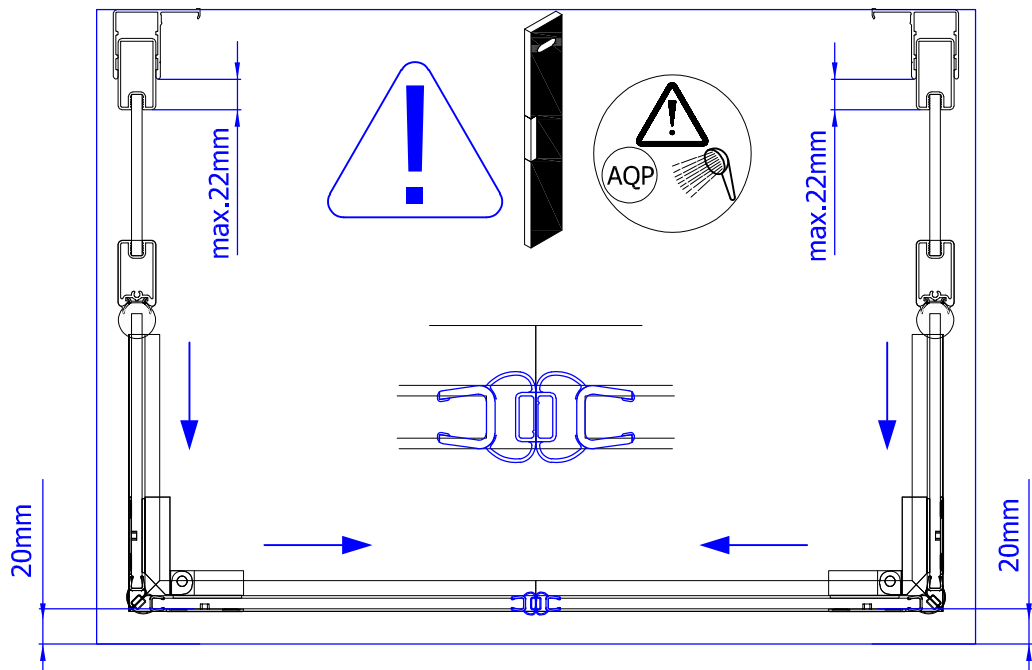
6.

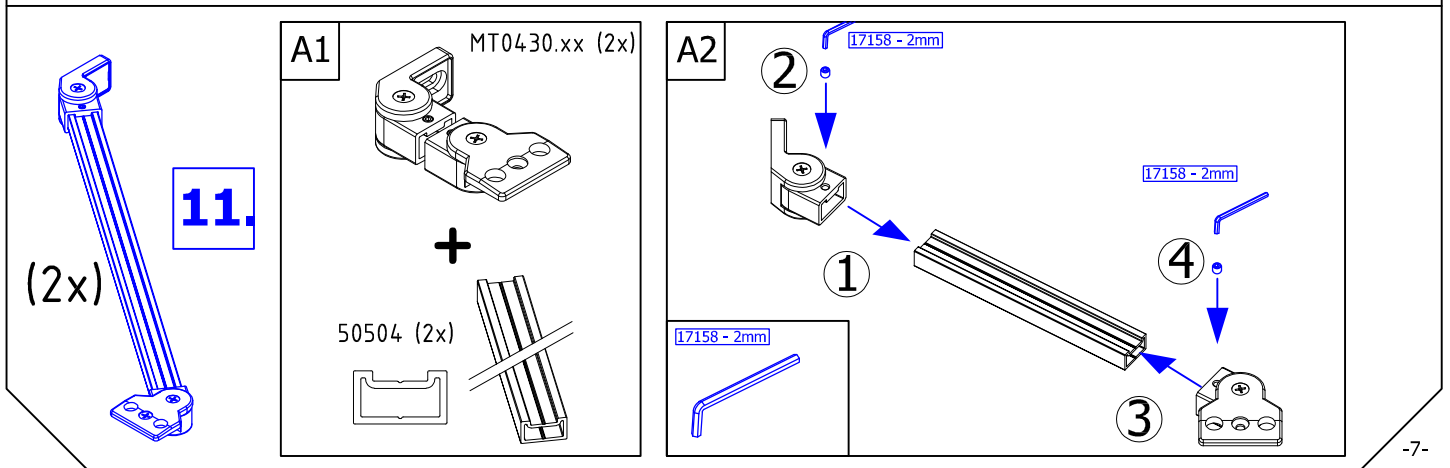
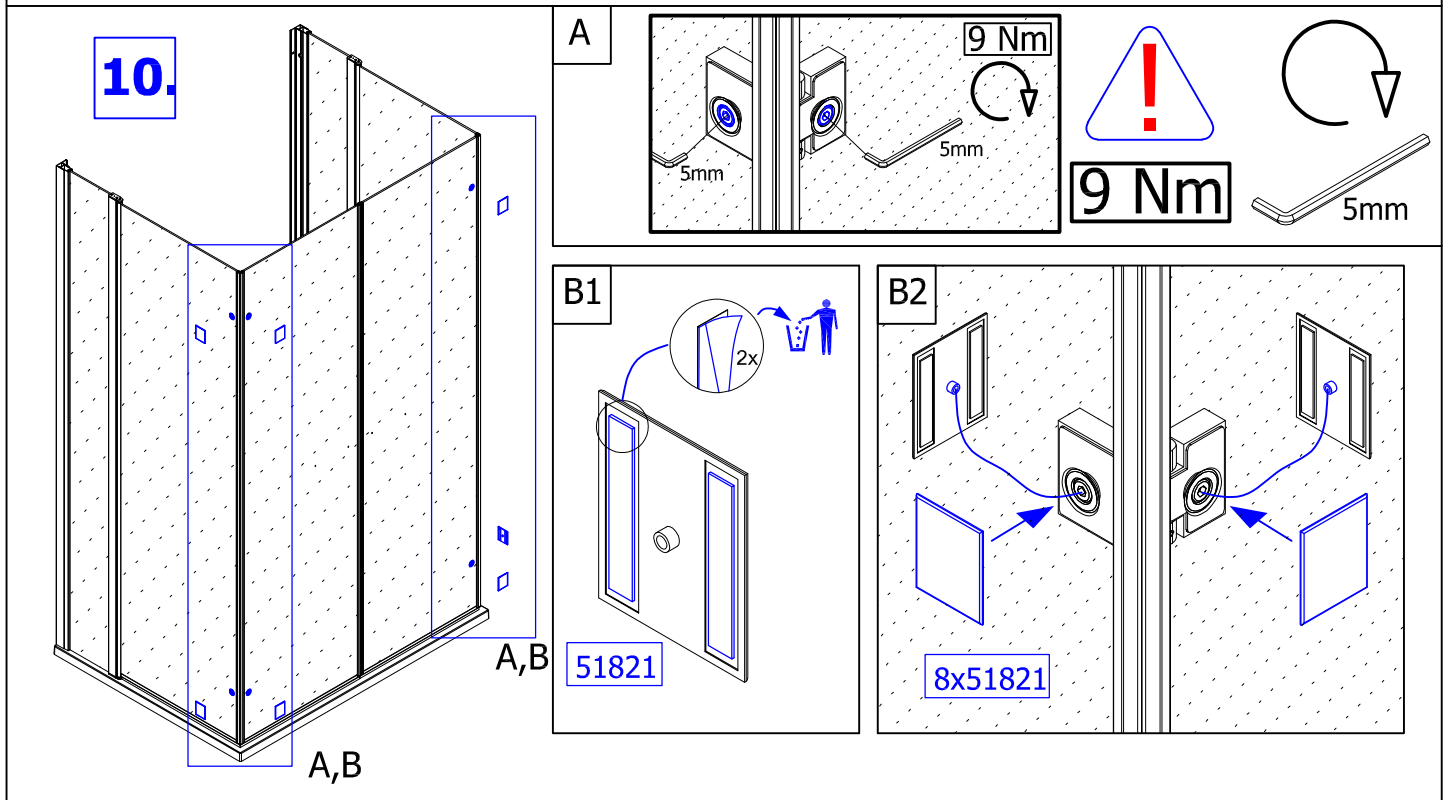
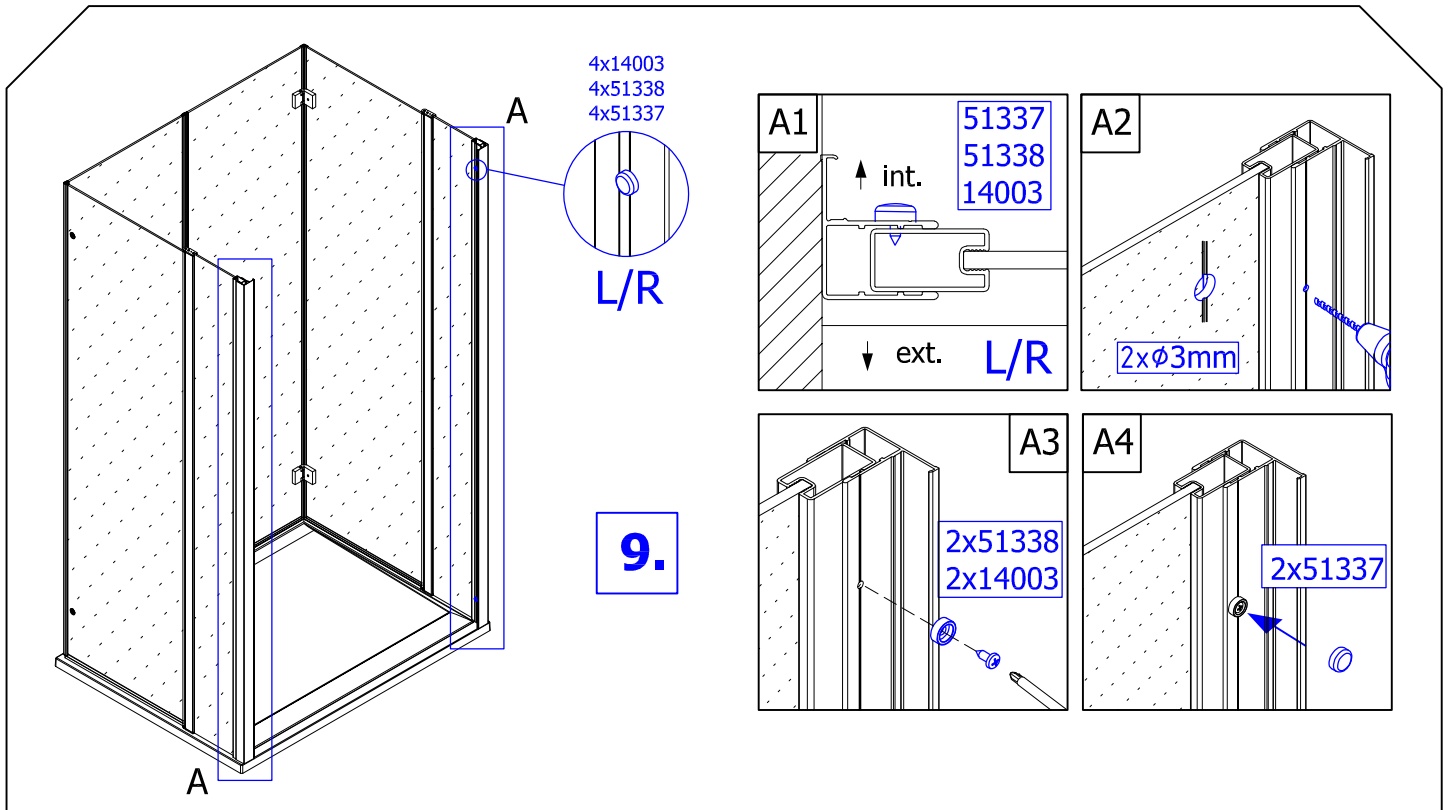


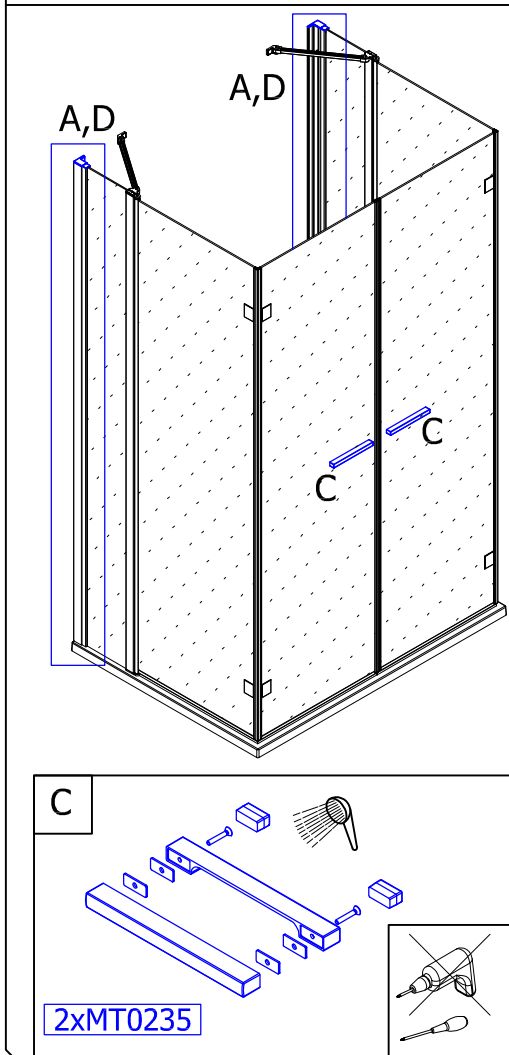
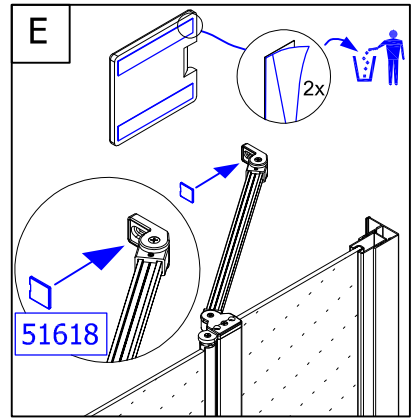
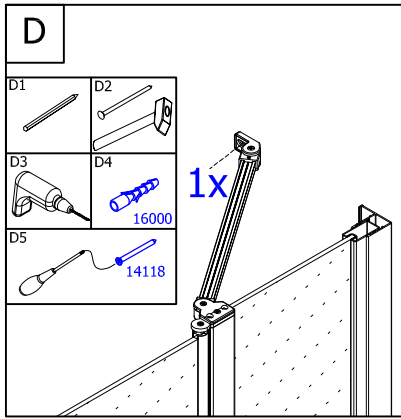
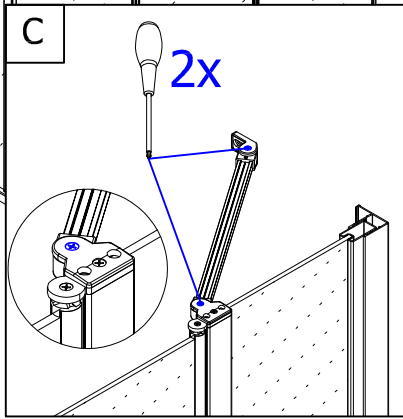
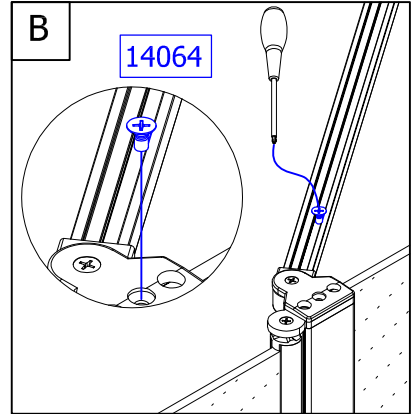
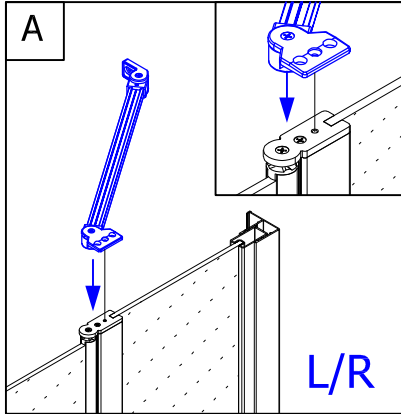
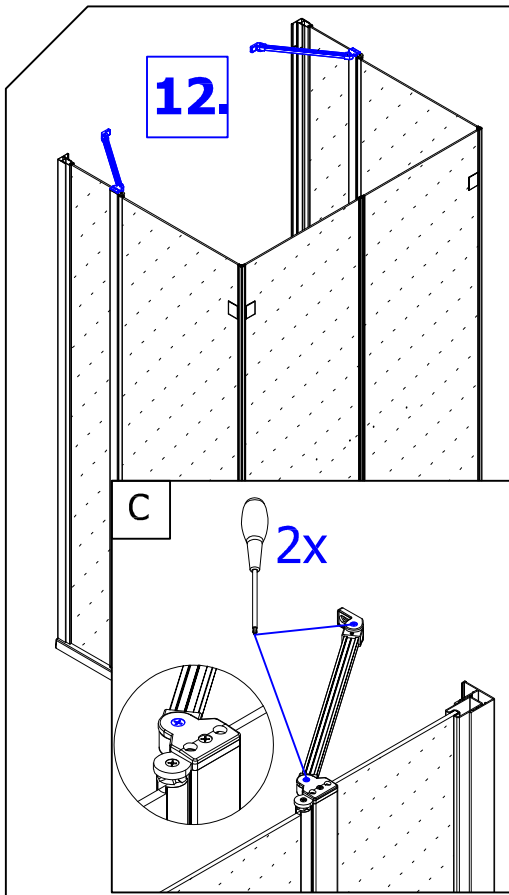
7.



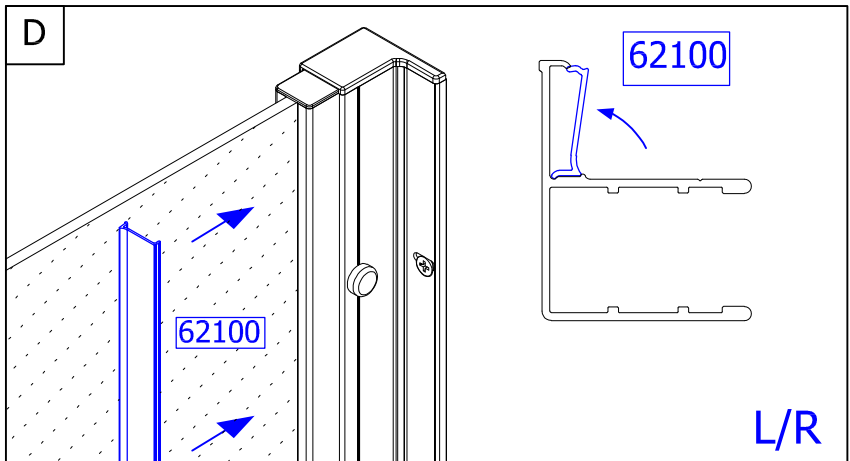
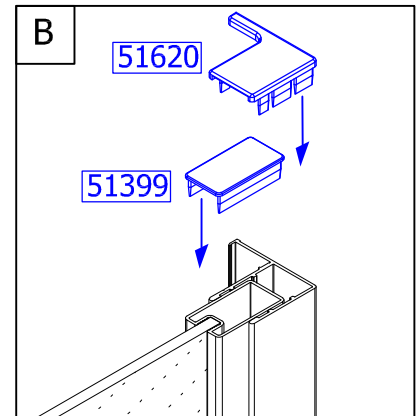
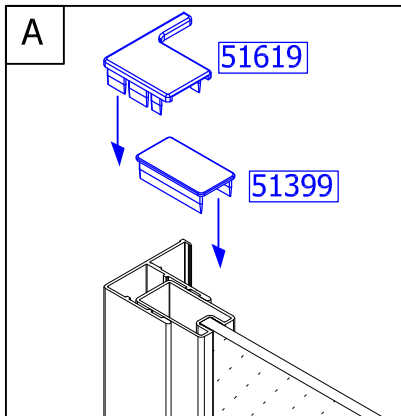
8.



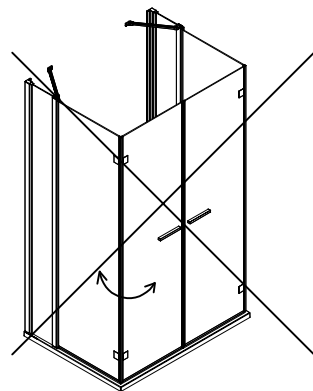
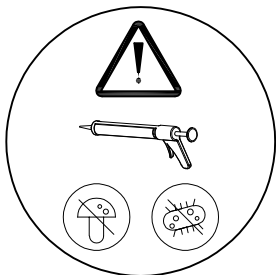
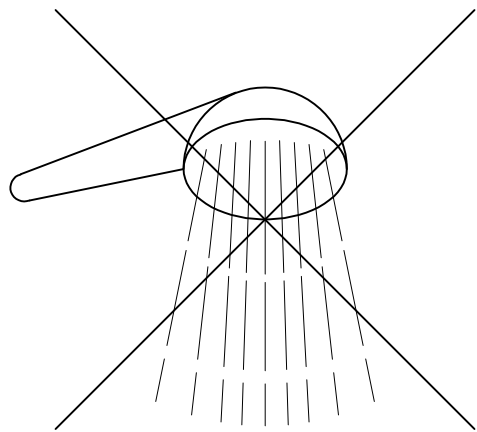
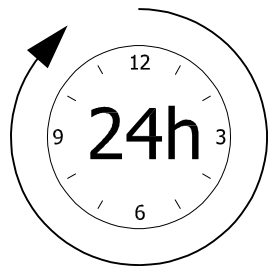
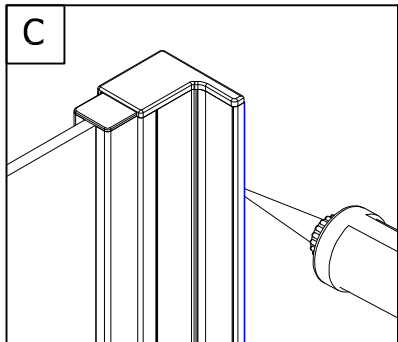
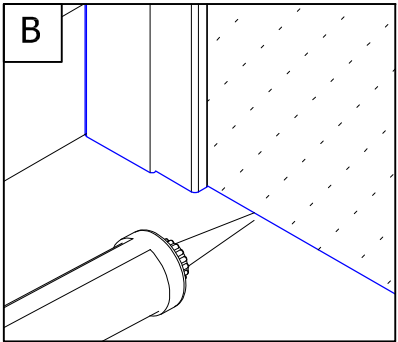
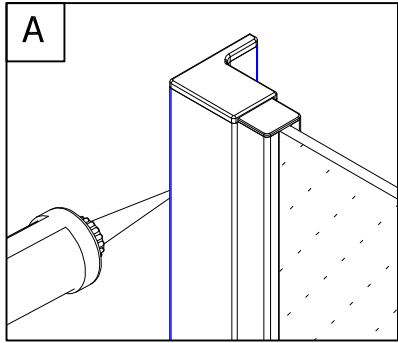
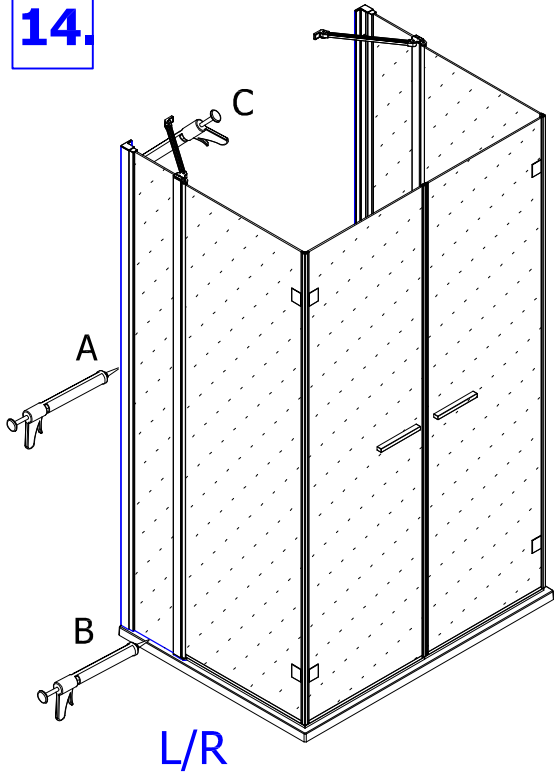


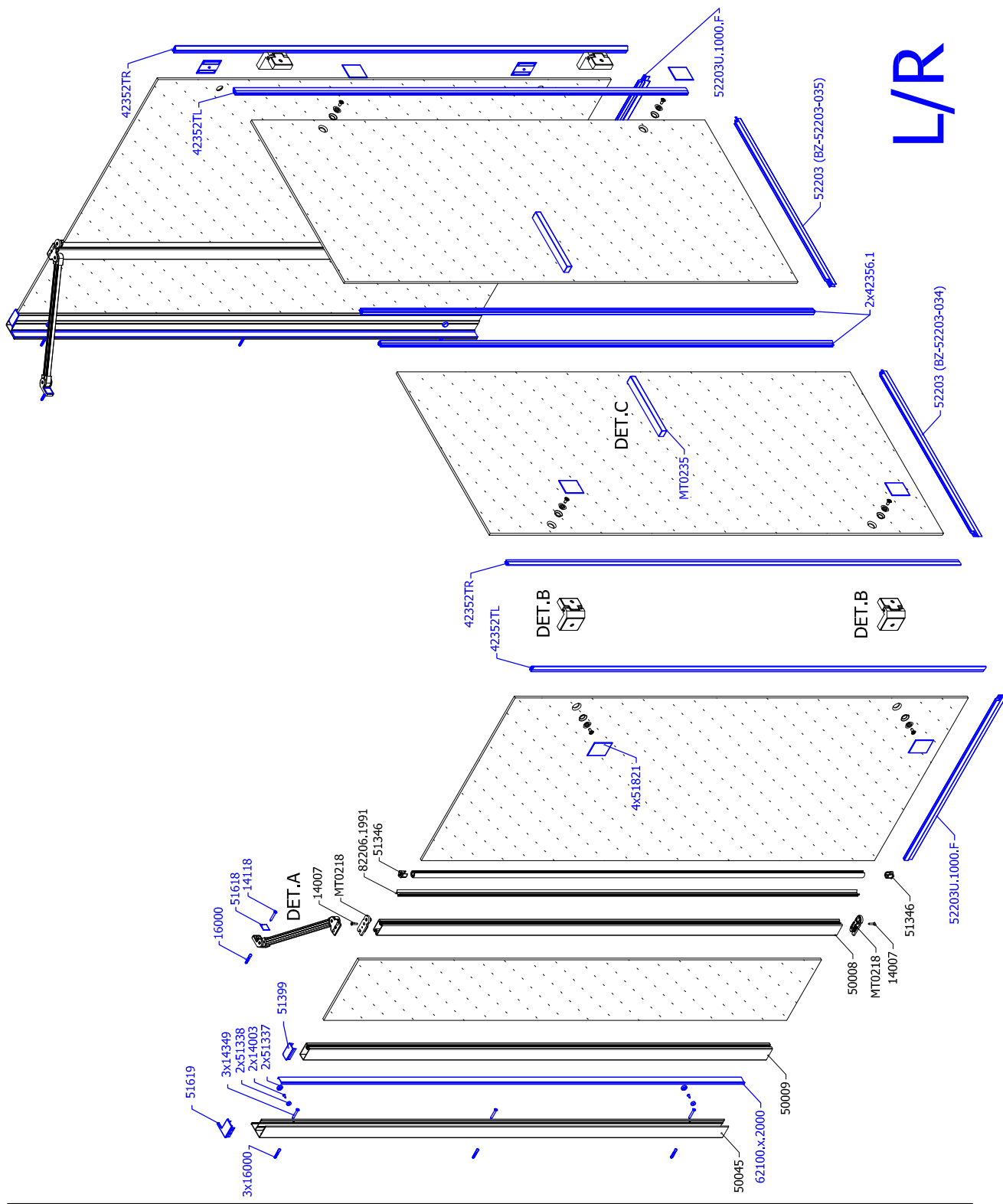
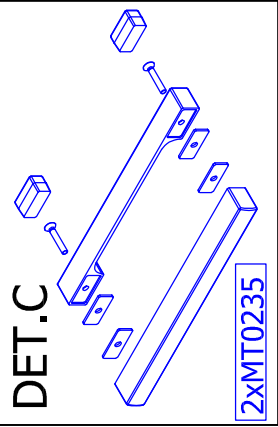
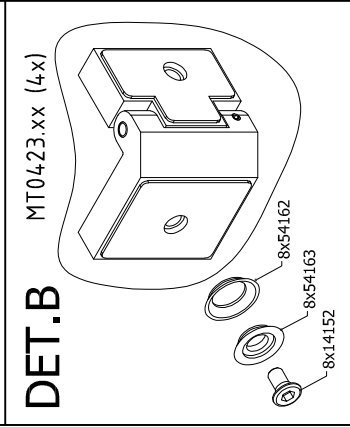
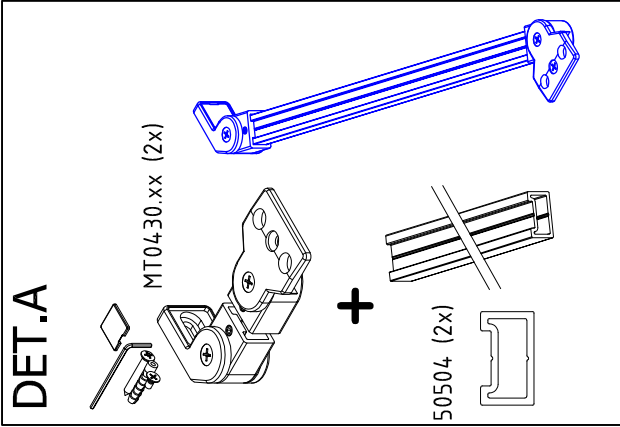


13.



14.





L/R