

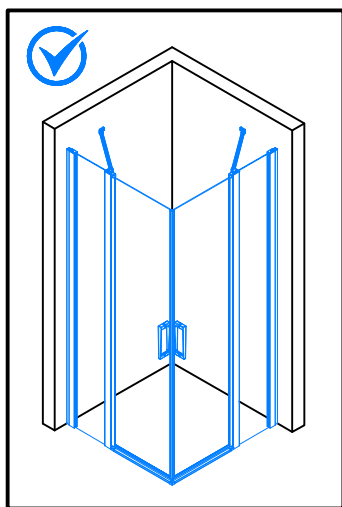
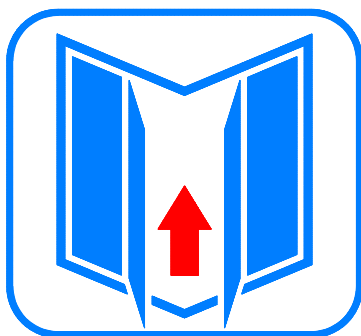
# 19746



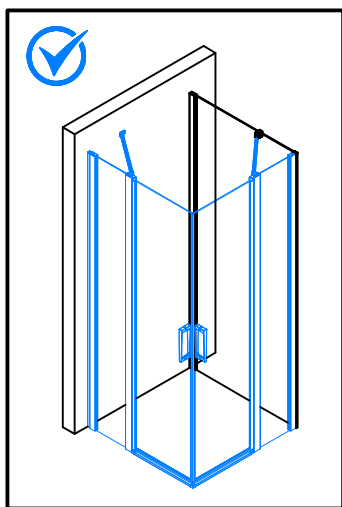
D22DE2B  
D22DE2K



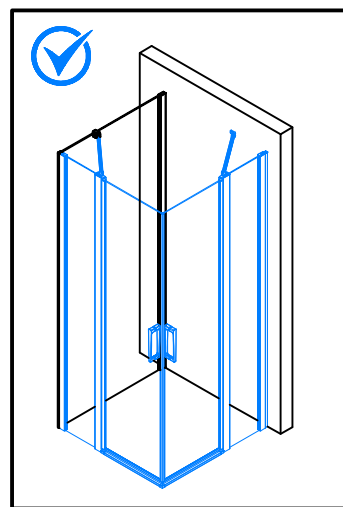
D22DE2B + D22F1  
D22DE2K + D22F1



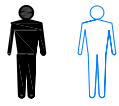
**P1. → P15.**



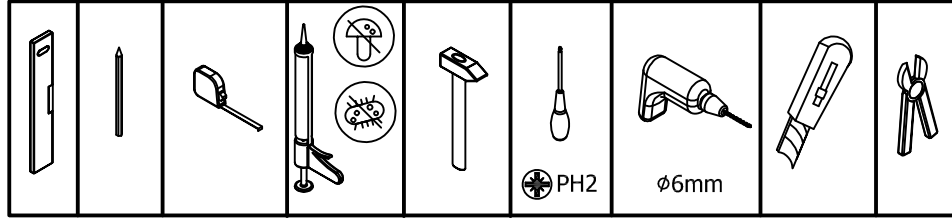
**P16. → P33.**



1

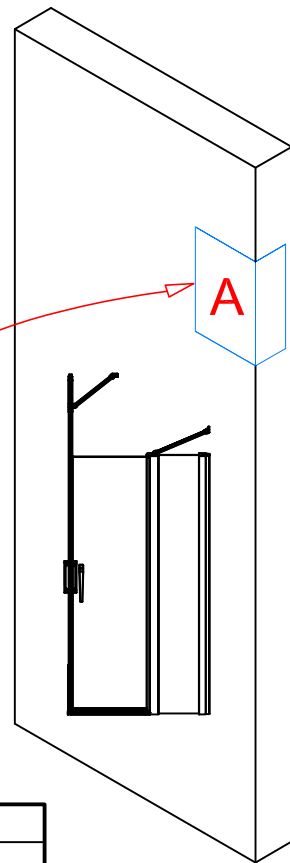
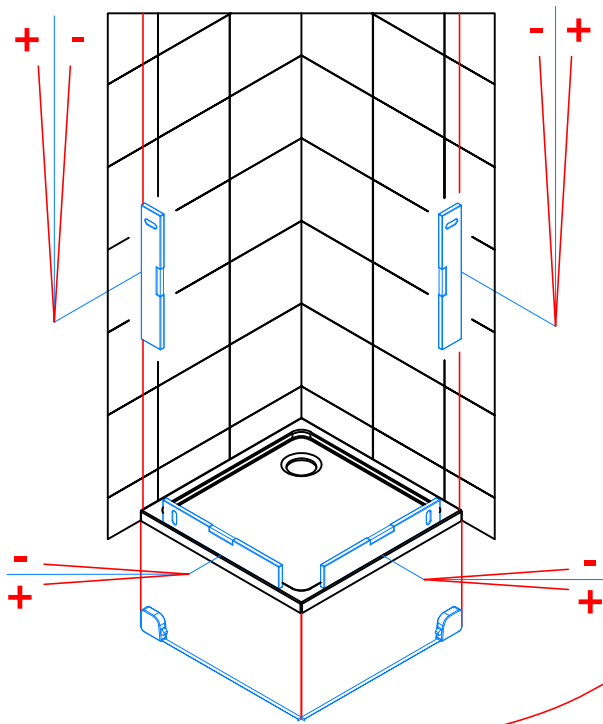


1x



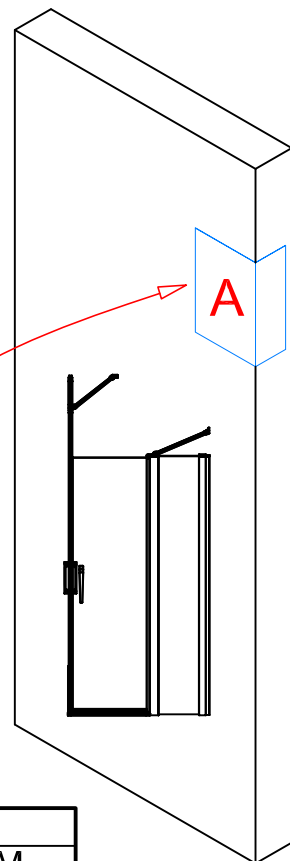
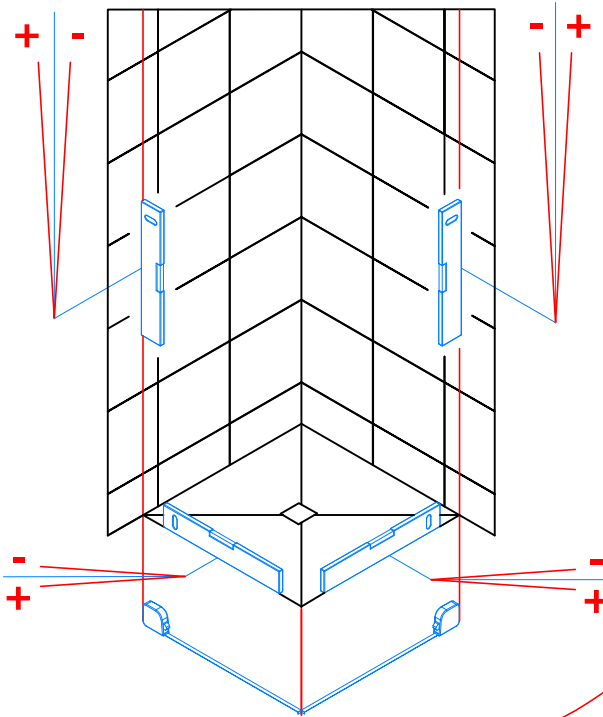
			2X 50504.XX.XXX 		
			52203D.XXX.F 		
2X 80001FXX.XXXX 			52203G.XXX.F 		
			80015E2XXRXXX 		
2X 80004E3XX.XXXX 	1X 42352TL.XXXX 1X 42352TR.XXXX 	80015E2XXLXXX 	2X MT0436.XX 		

<p>1 x 11221</p>	<p>6 x 14295 4.2X32mm</p>	<p>2 x 81125.XX</p>	<p>2 x 14196</p>	
<p>2 x MT0443.XX</p>	<p>6 x 16000 ø 6mm</p>	<p>2 x 81121.XX</p>	<p>1 x 81127.XX</p>	<p>2 x 81649</p>

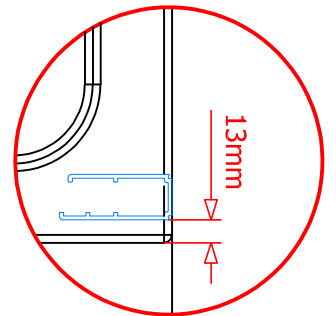
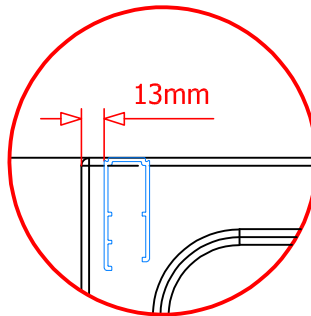
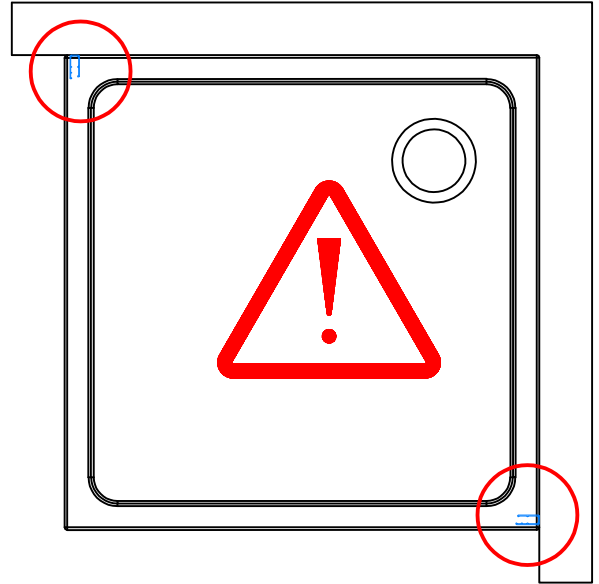
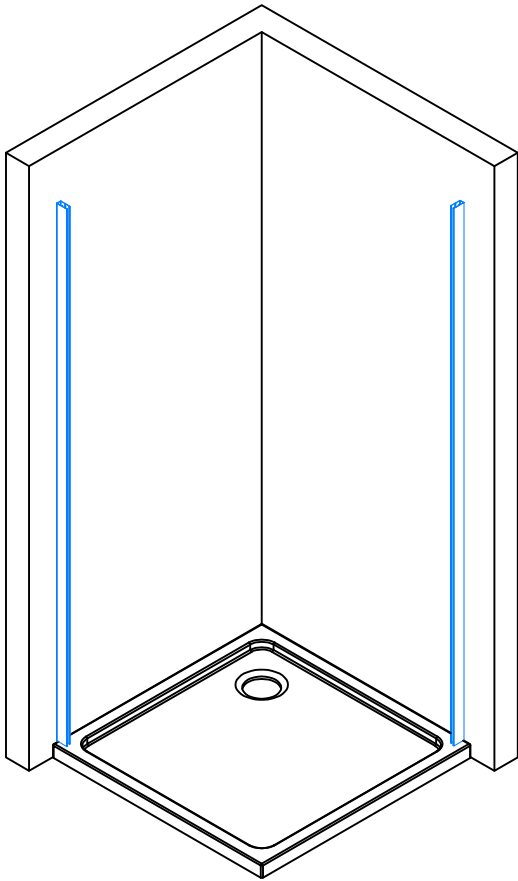


A	
STD	SM
-20 ; +10	-10 ; +20

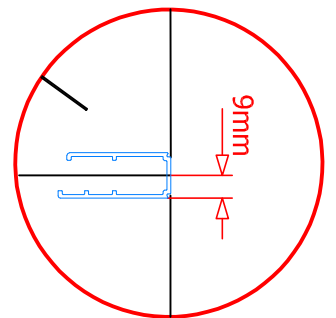
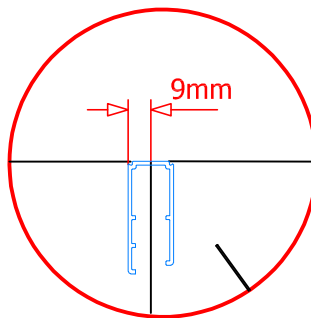
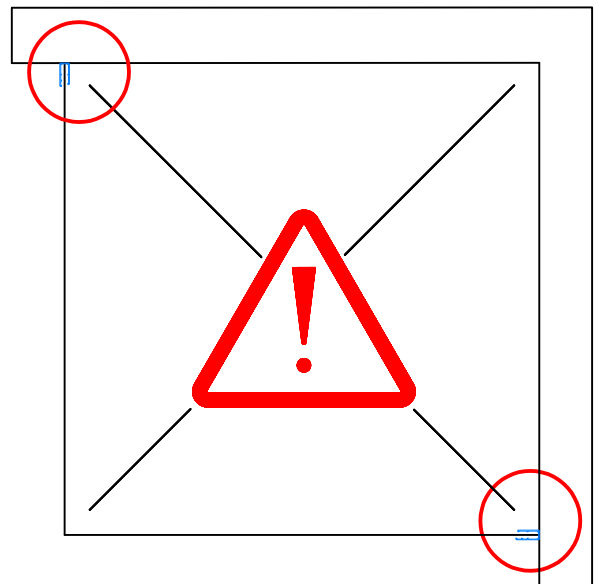
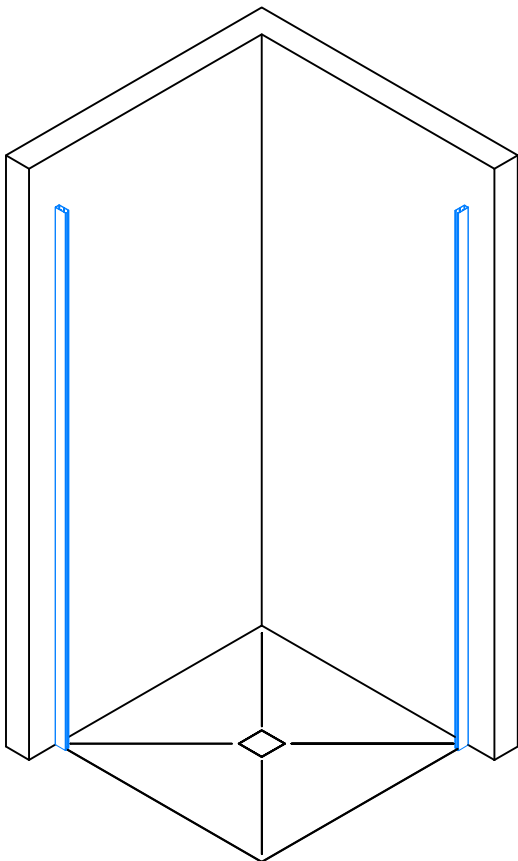
**1.**



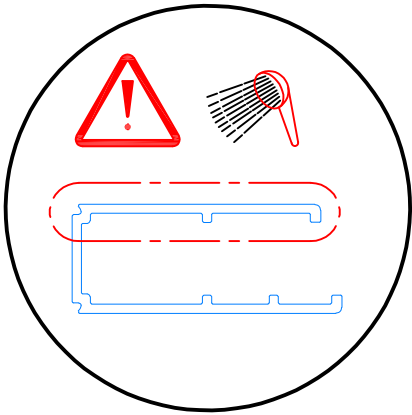
A	
STD	SM
-42 ; -12	-10 ; +20



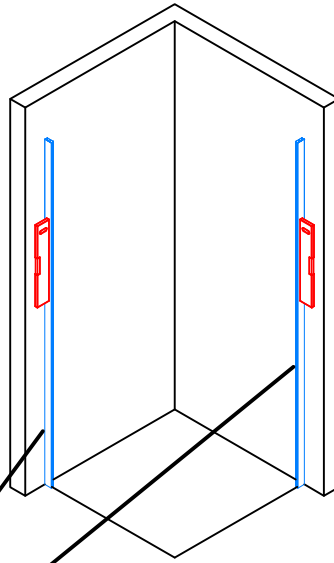
2.



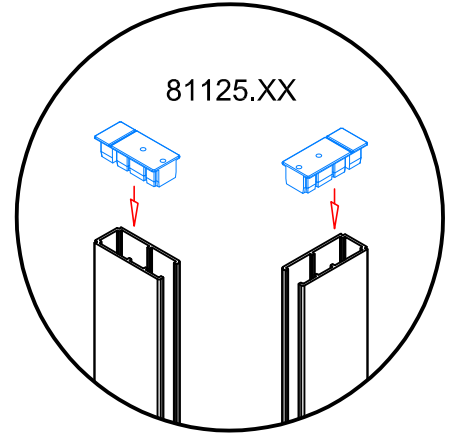
**3.1 → 3.4**



**3.1**

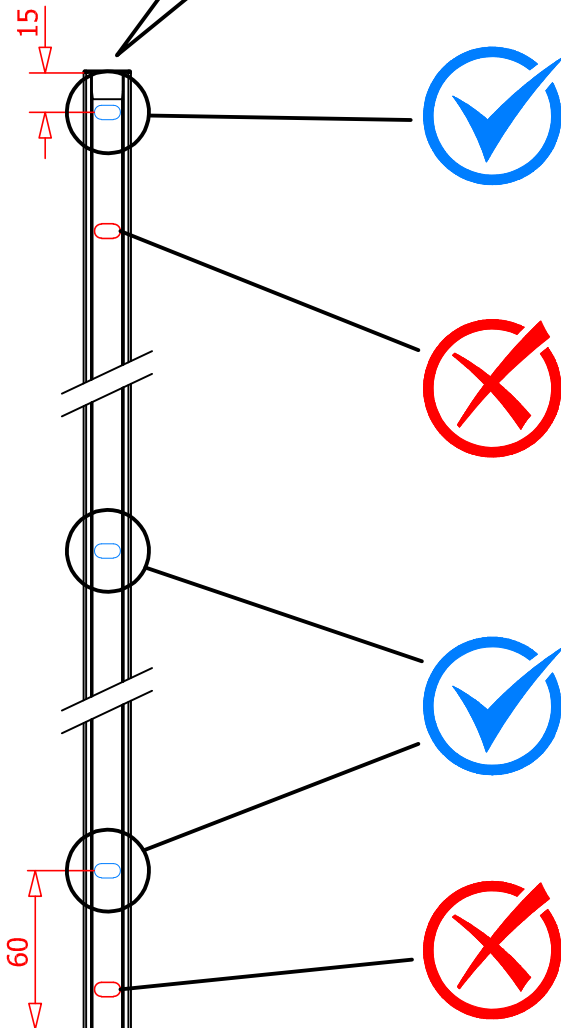


**3.2**



**3.4**

**3.3**

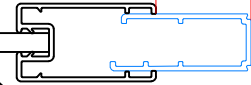
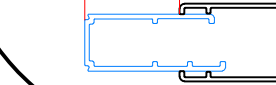


- 
- 
- 
- 6X  $\phi$ 6mm
- 
- 6 x 16000
- 14295
-

4.

Maxi 30 mm

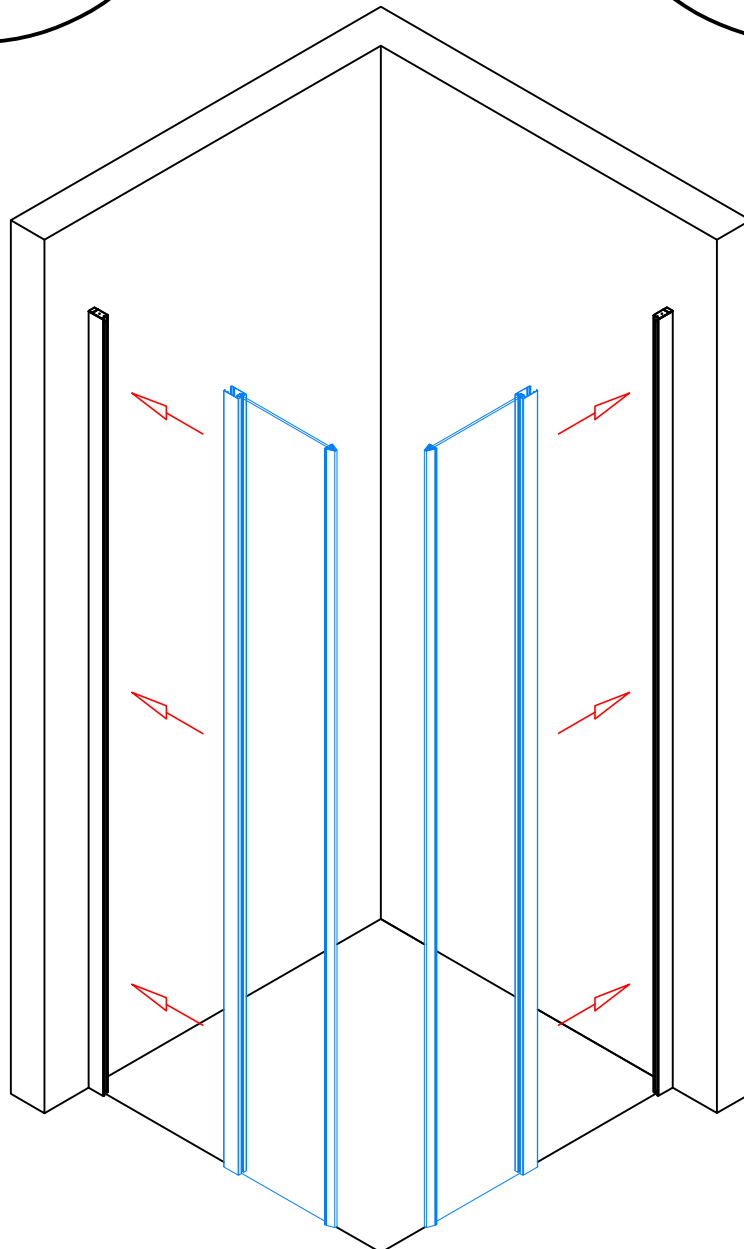
Maxi 30 mm



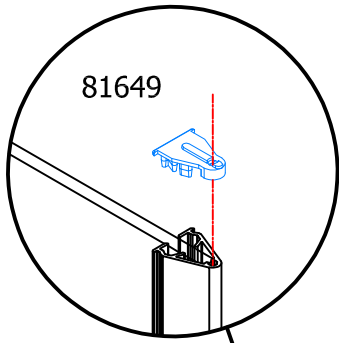
Aquaparis



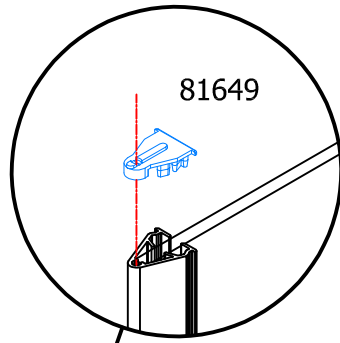
Aquaparis



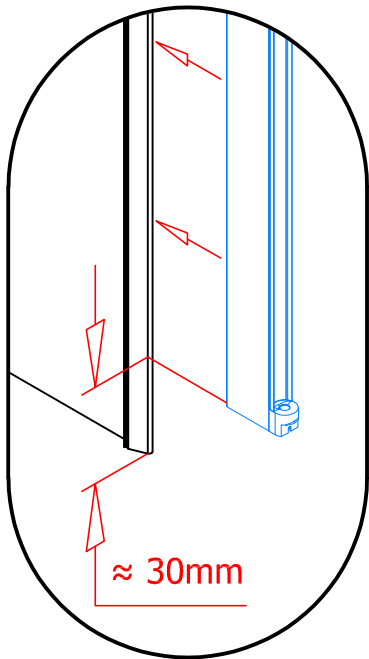
**5.1 → 5.4**



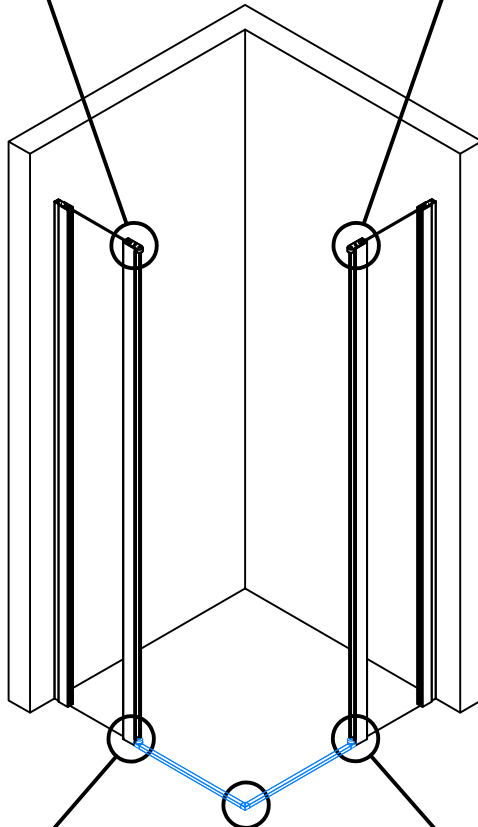
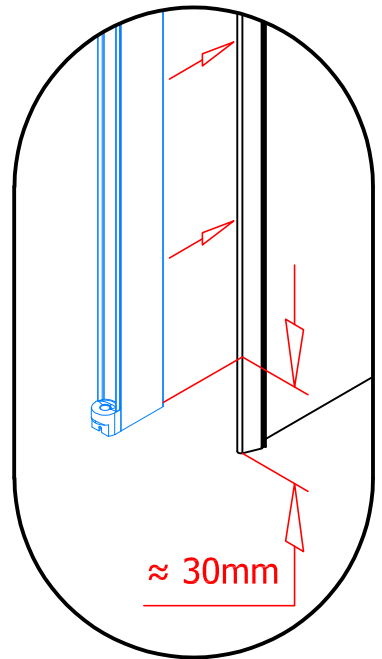
**5.1**



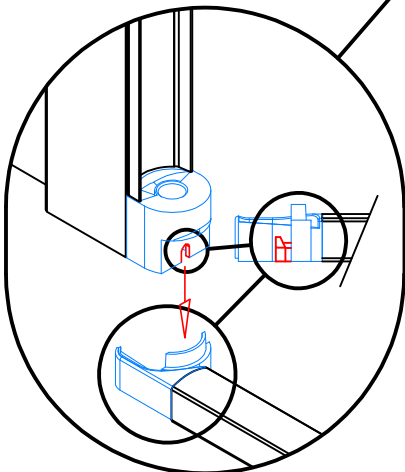
**5.2**



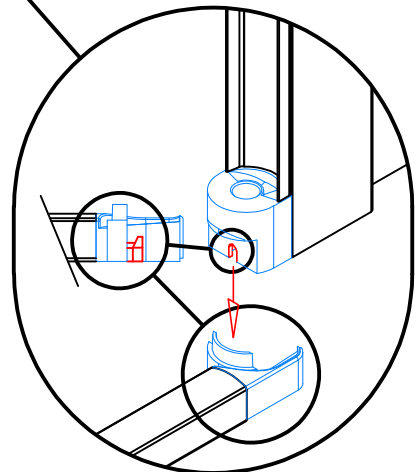
**5.2**



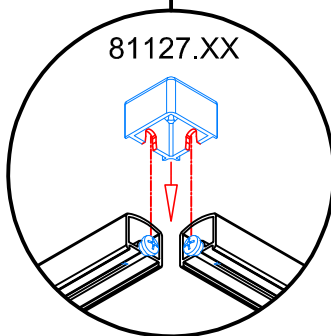
**5.3**



**5.3**

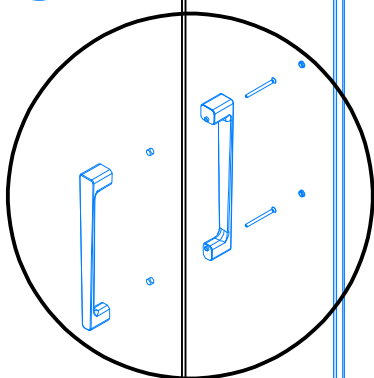


**5.4**

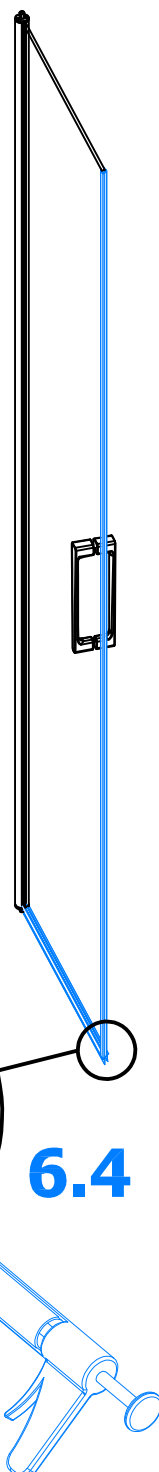


6.1 → 6.4

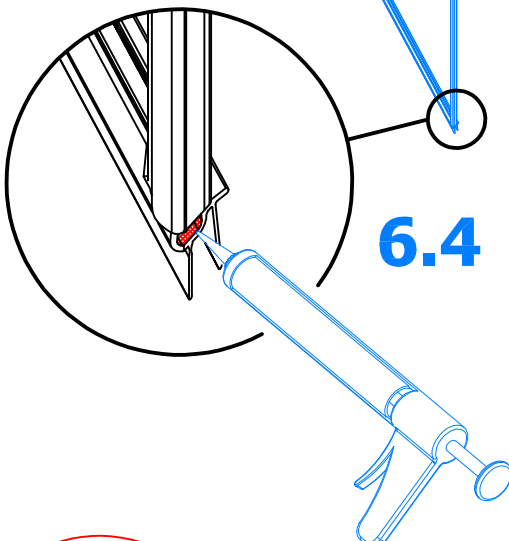
6.1



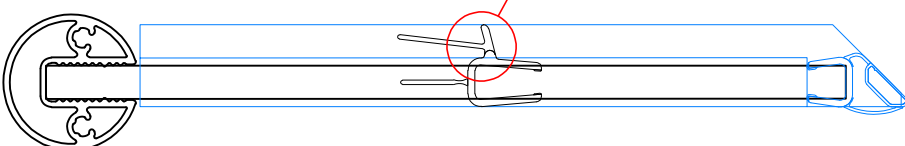
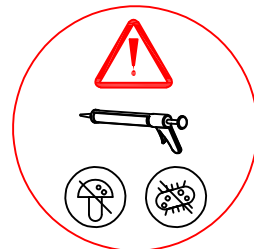
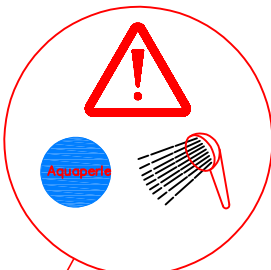
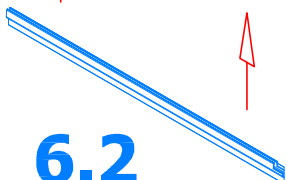
6.3



6.4

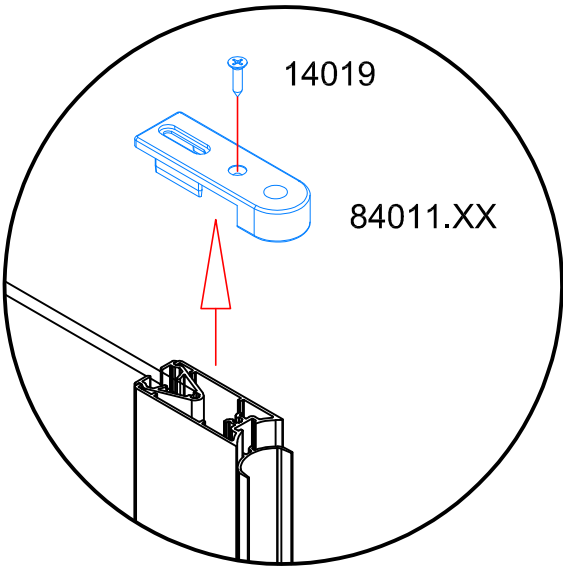


6.2

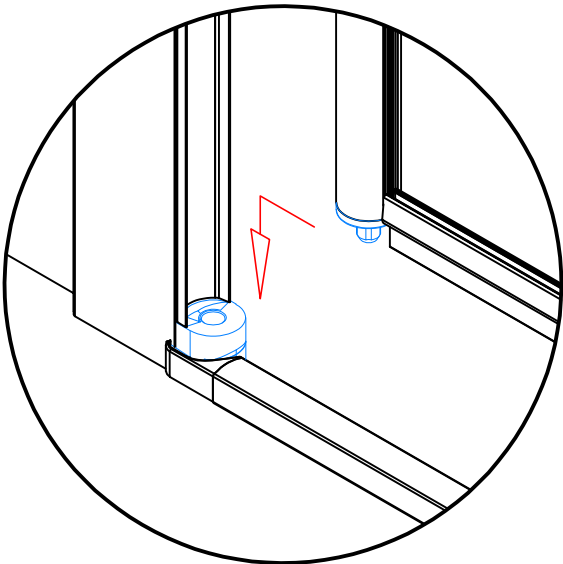




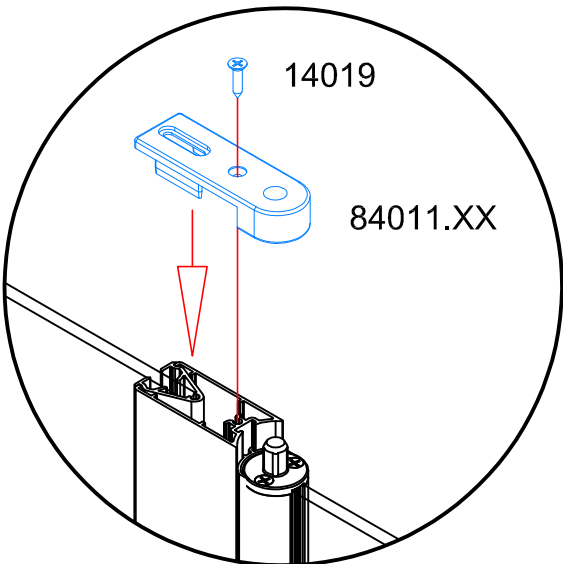
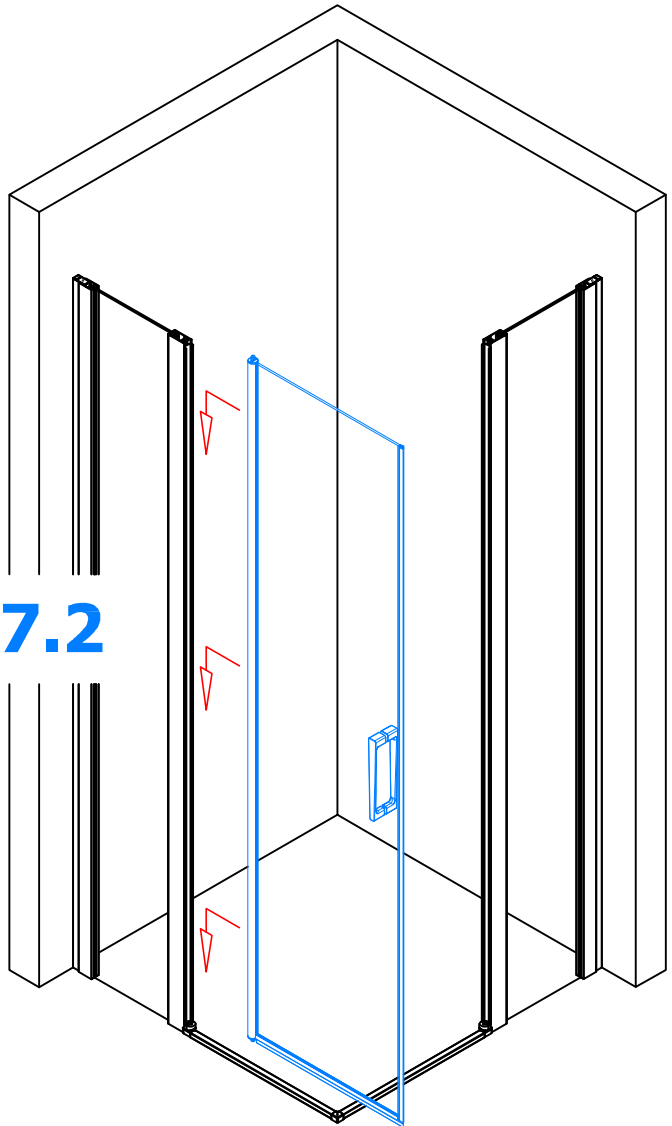
**7.1 → 7.3**



**7.1**

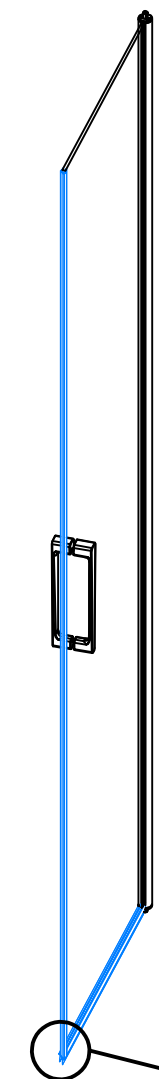


**7.2**

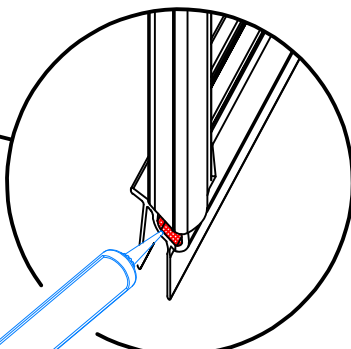
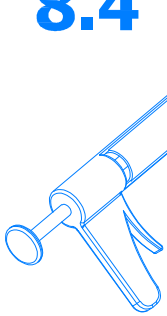


**7.3**

**8.1 → 8.4**



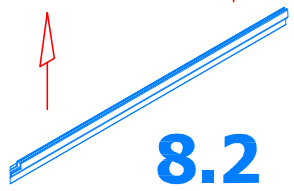
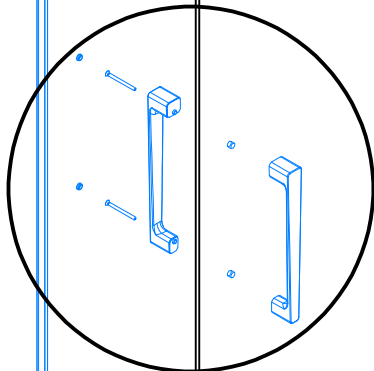
**8.4**



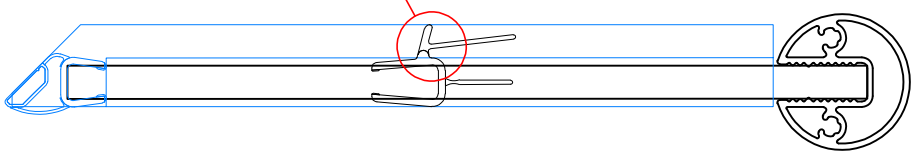
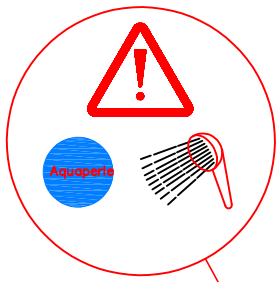
**8.3**



**8.1**

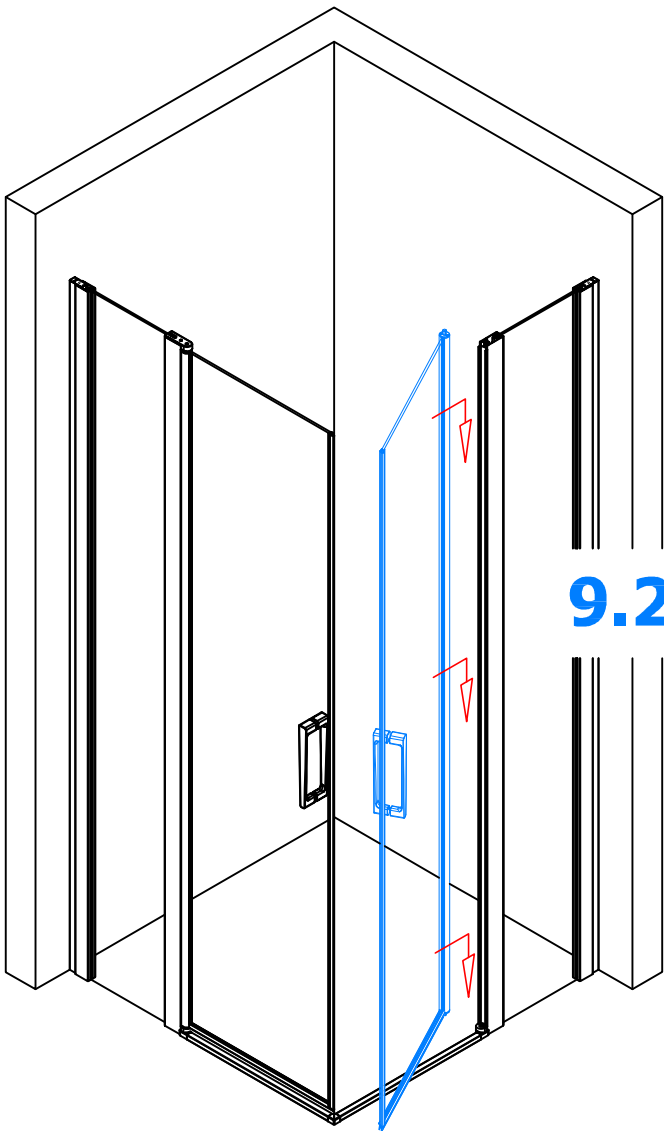
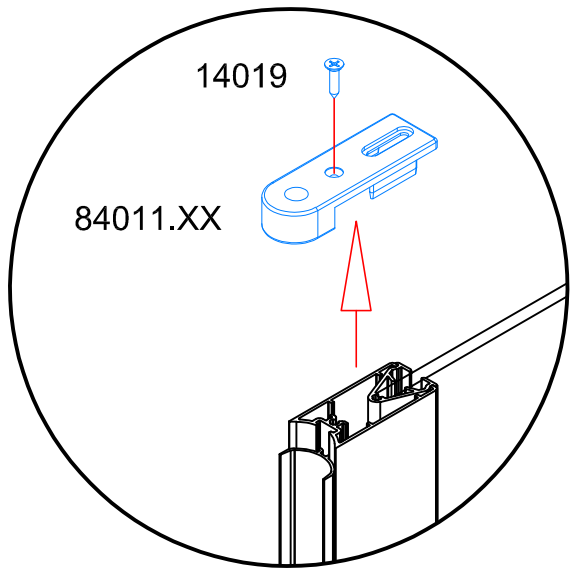


**8.2**

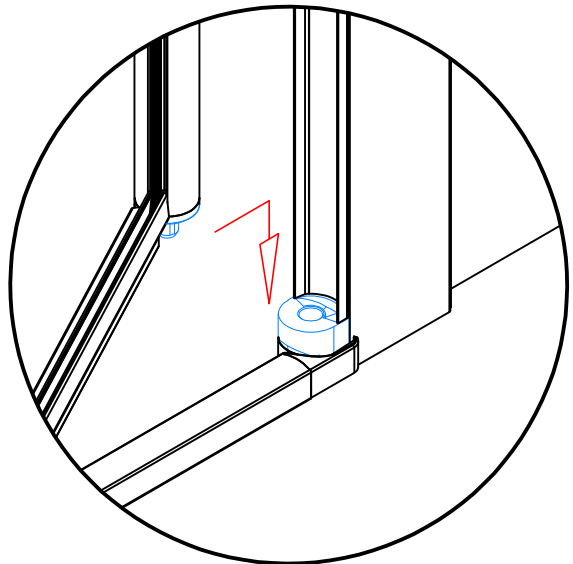


**9.1 → 9.3**

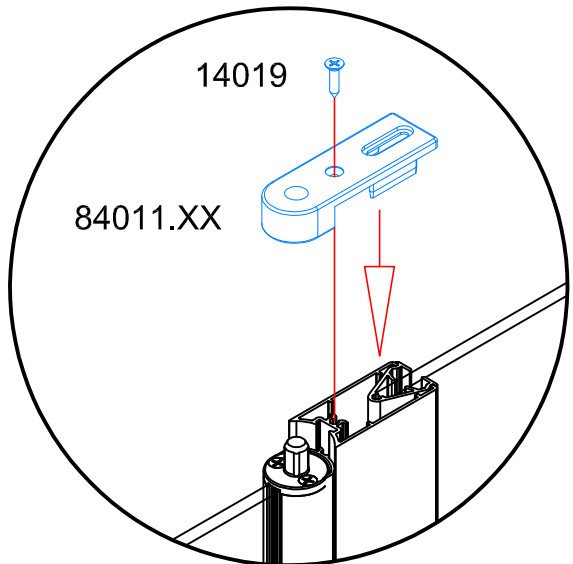
**9.1**



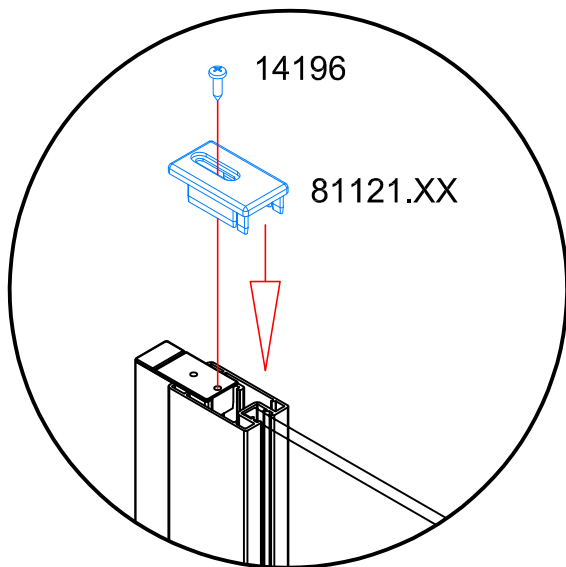
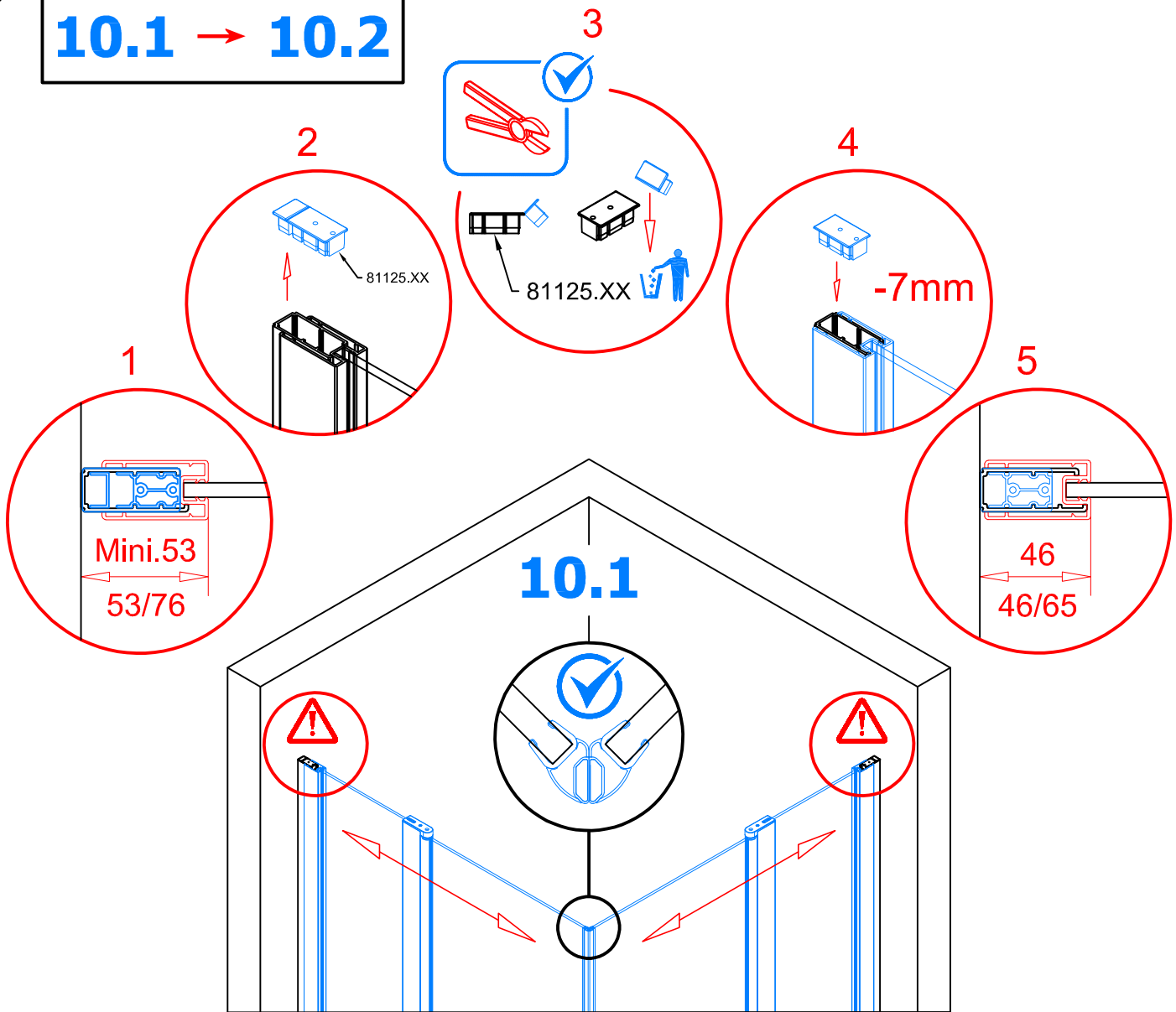
**9.2**



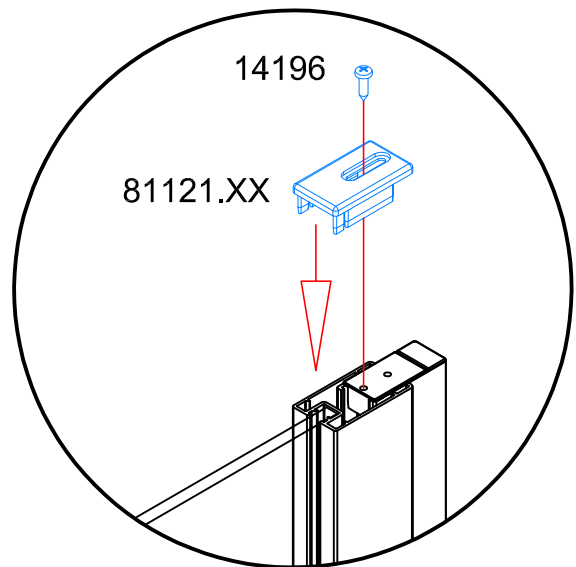
**9.3**



# 10.1 → 10.2

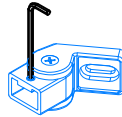
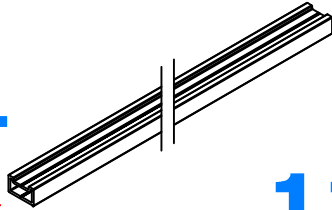
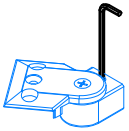


# 10.2

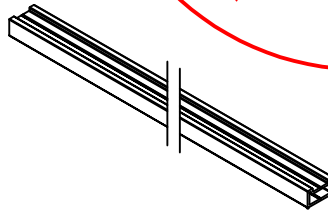
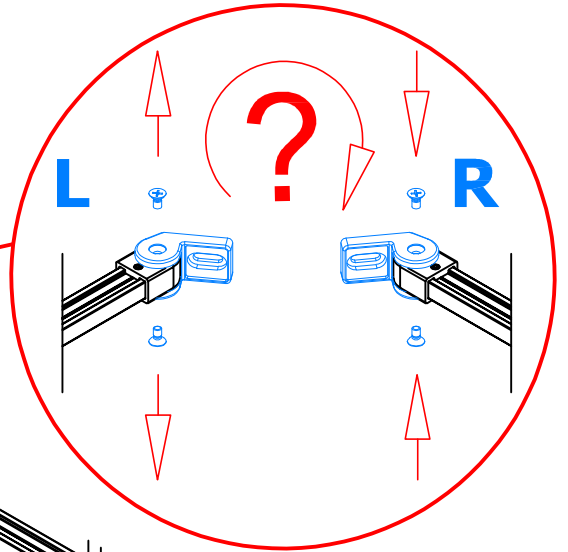
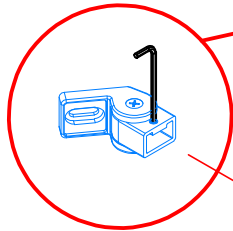


11.1 → 11.3

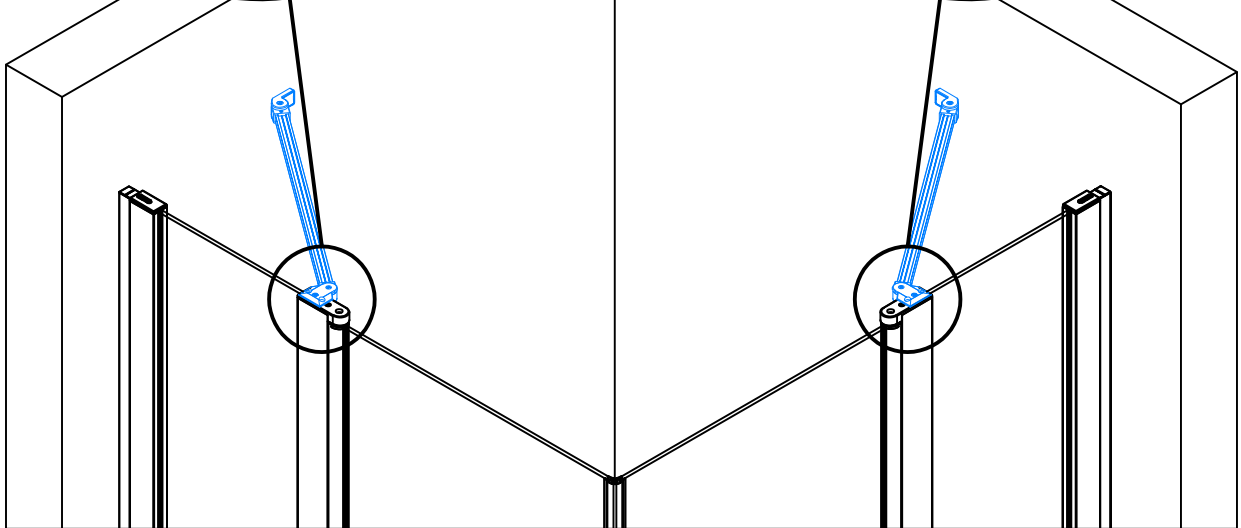
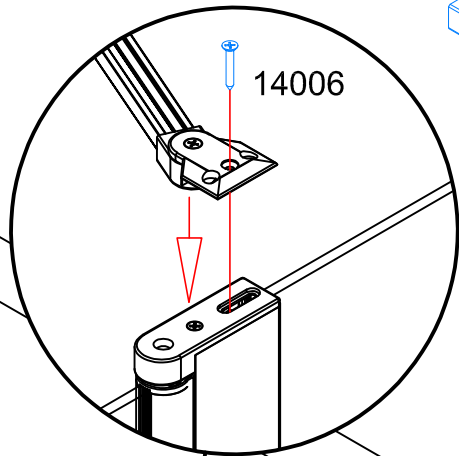
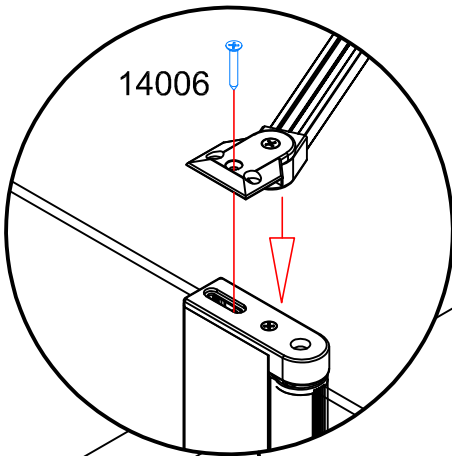
11.1



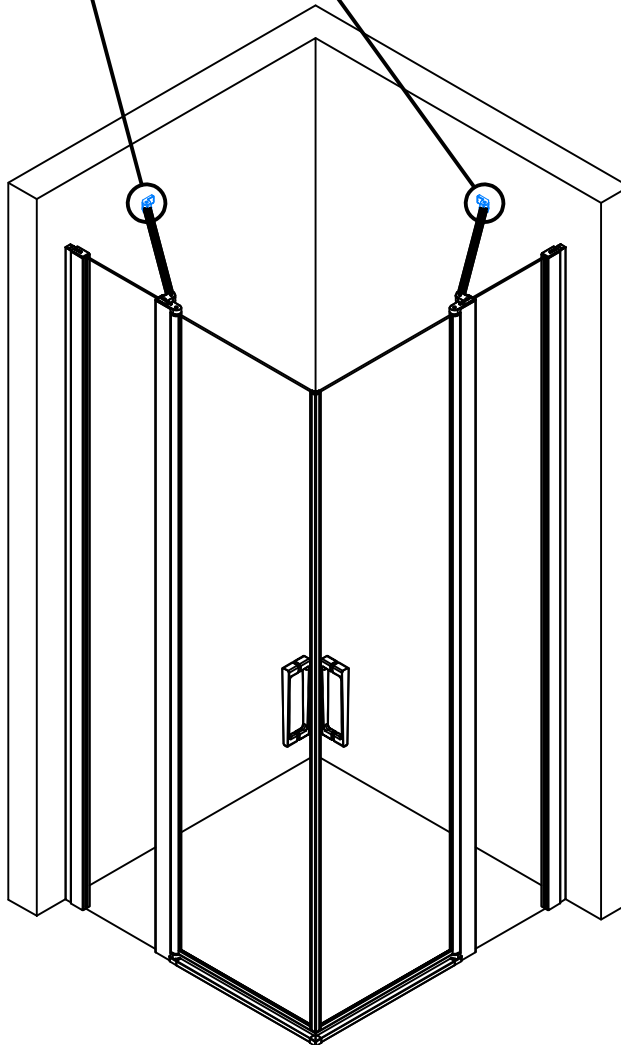
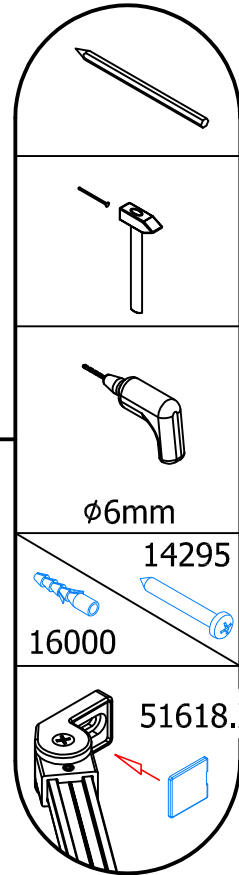
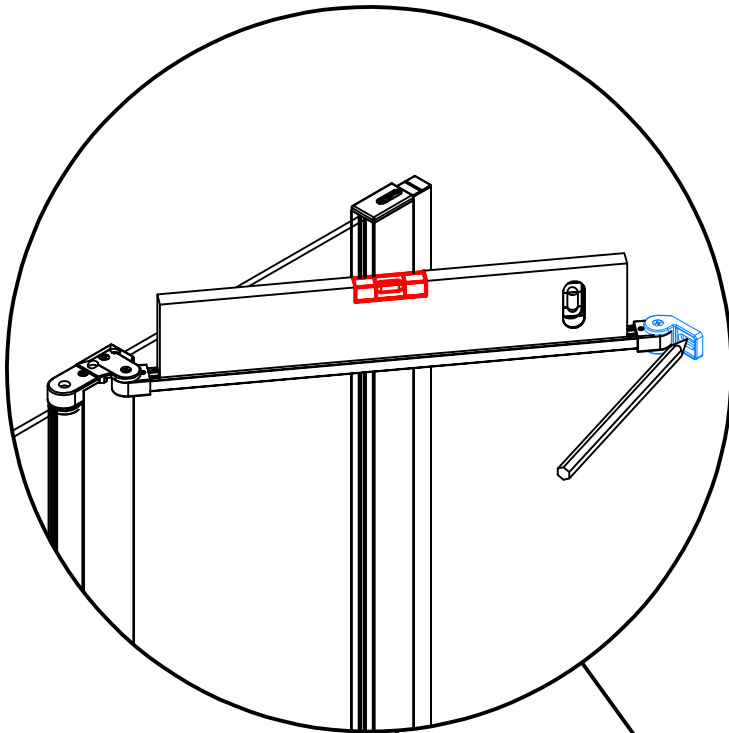
11.2



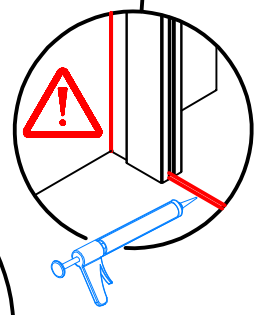
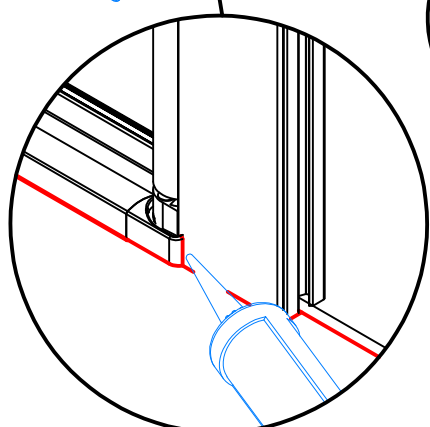
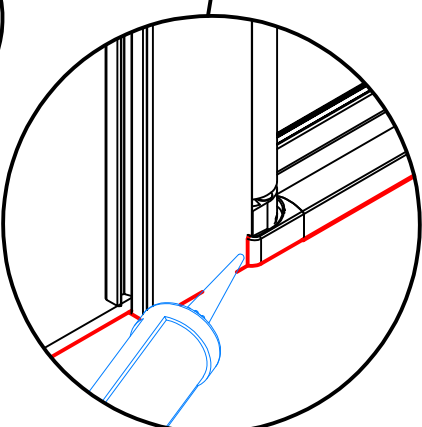
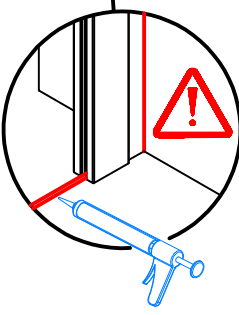
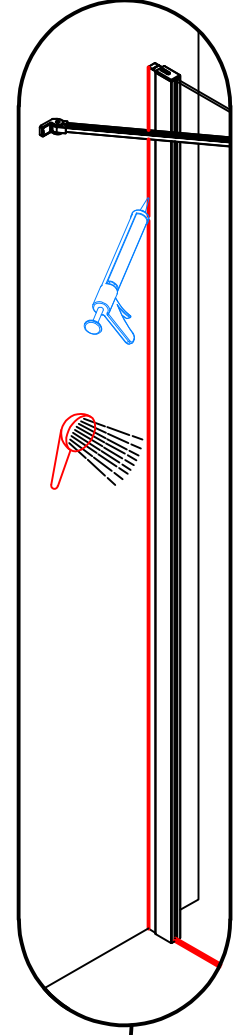
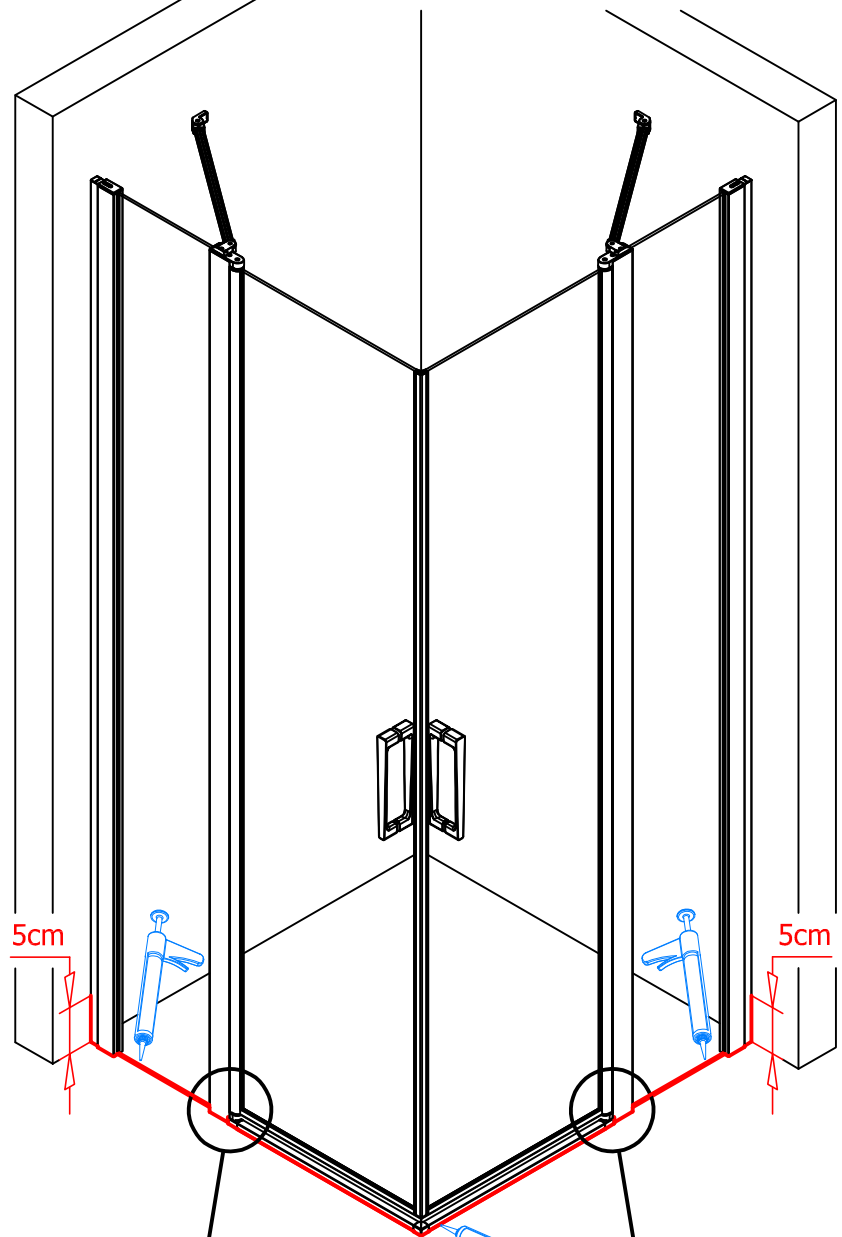
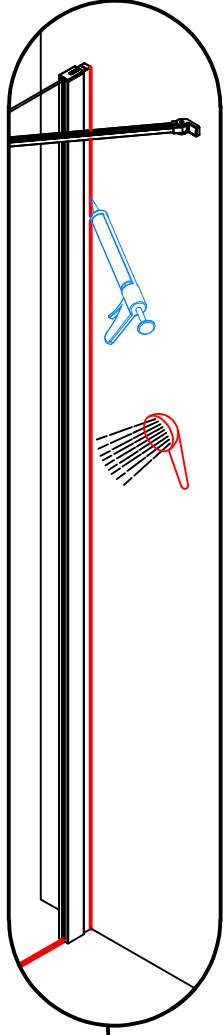
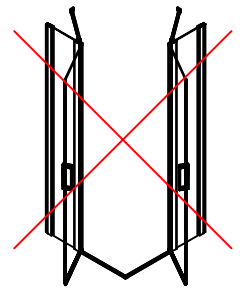
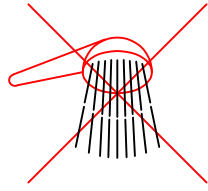
11.3



12.

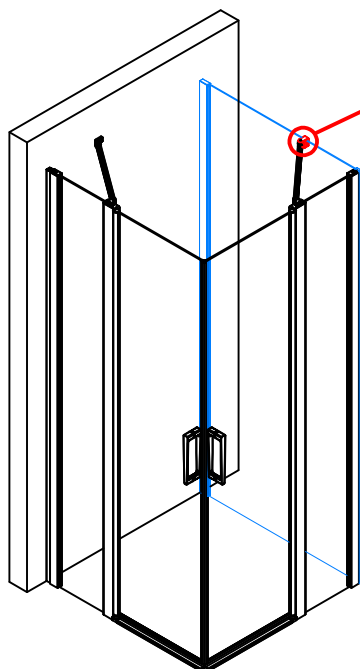


13.

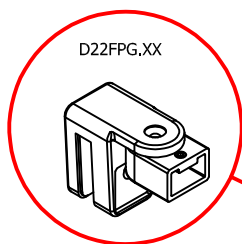
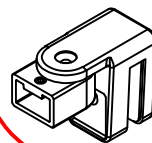




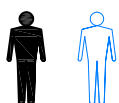
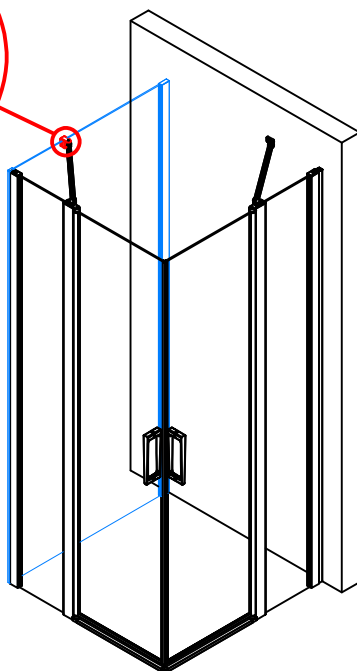
**P16. → P33.**



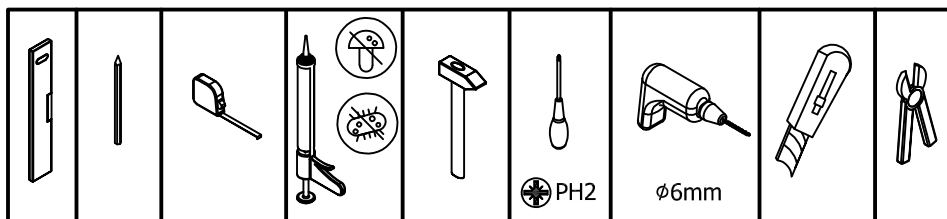
D22FPG.XX



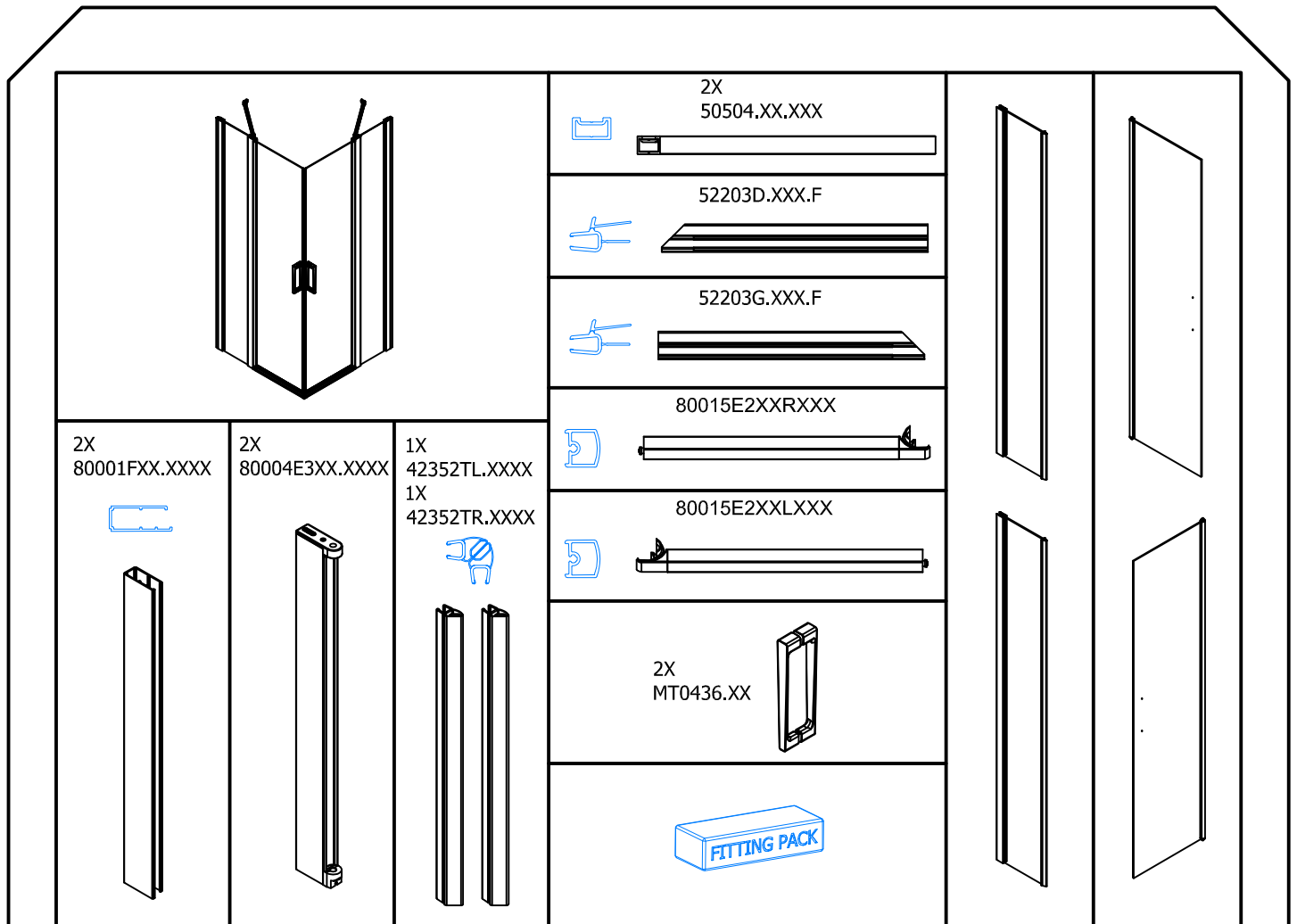
D22FPG.XX

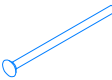



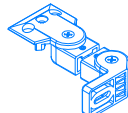



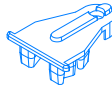


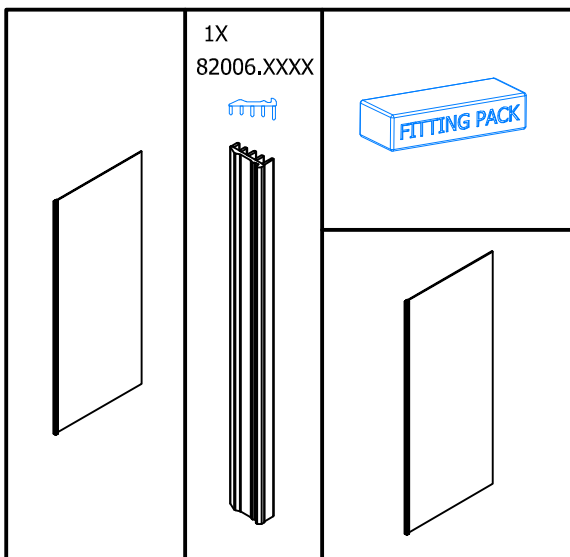
1x




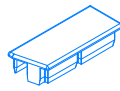
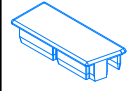


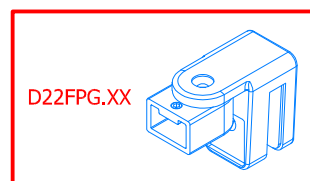


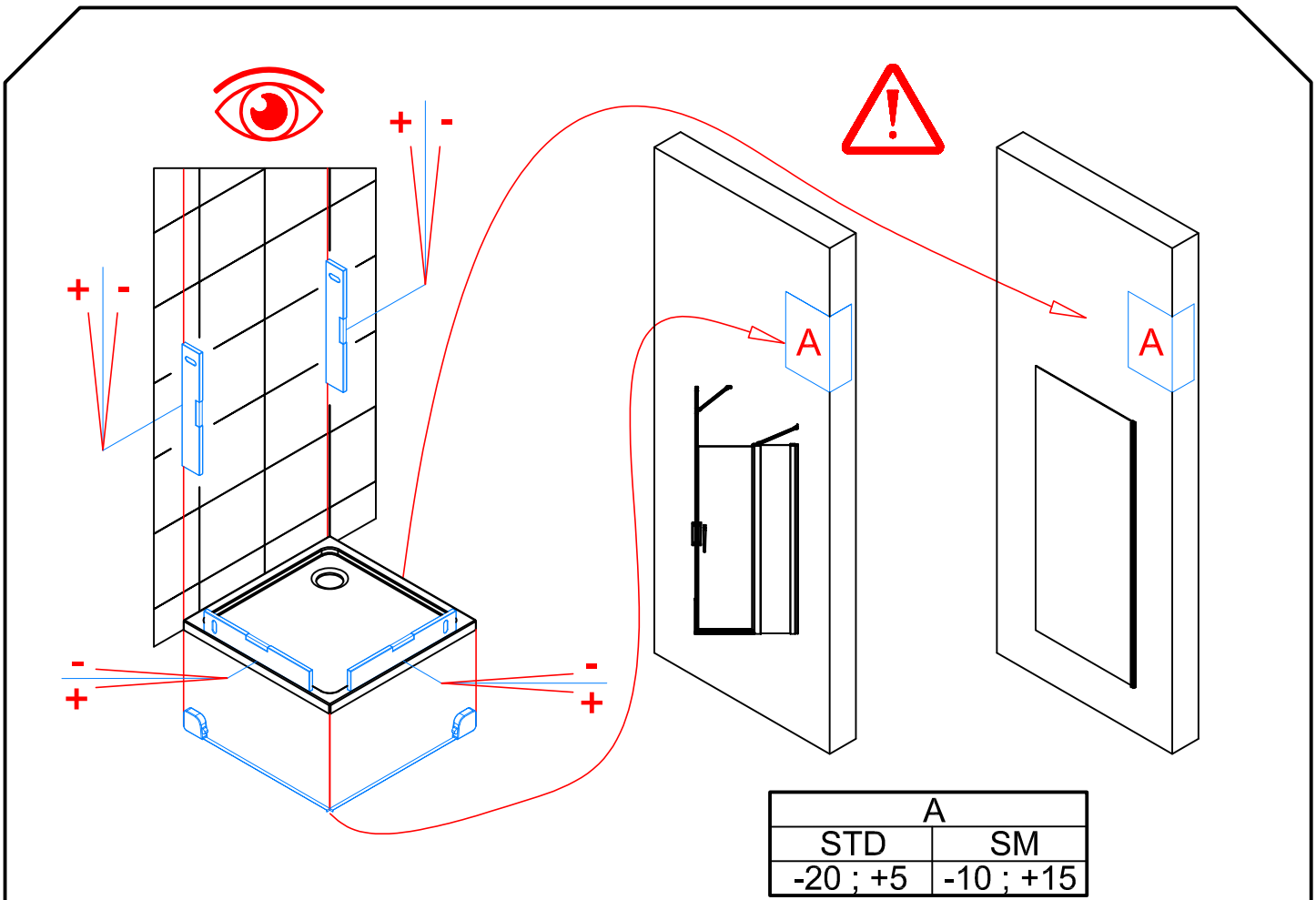


 1 x 11221	 6 x 14295 4.2X32mm	 2 x 81125.XX	 2 x 14196	
 2 x MT0443.XX	 6 x 16000 Ø 6mm	 2 x 81121.XX	 1 x 81127.XX	 2 x 81649

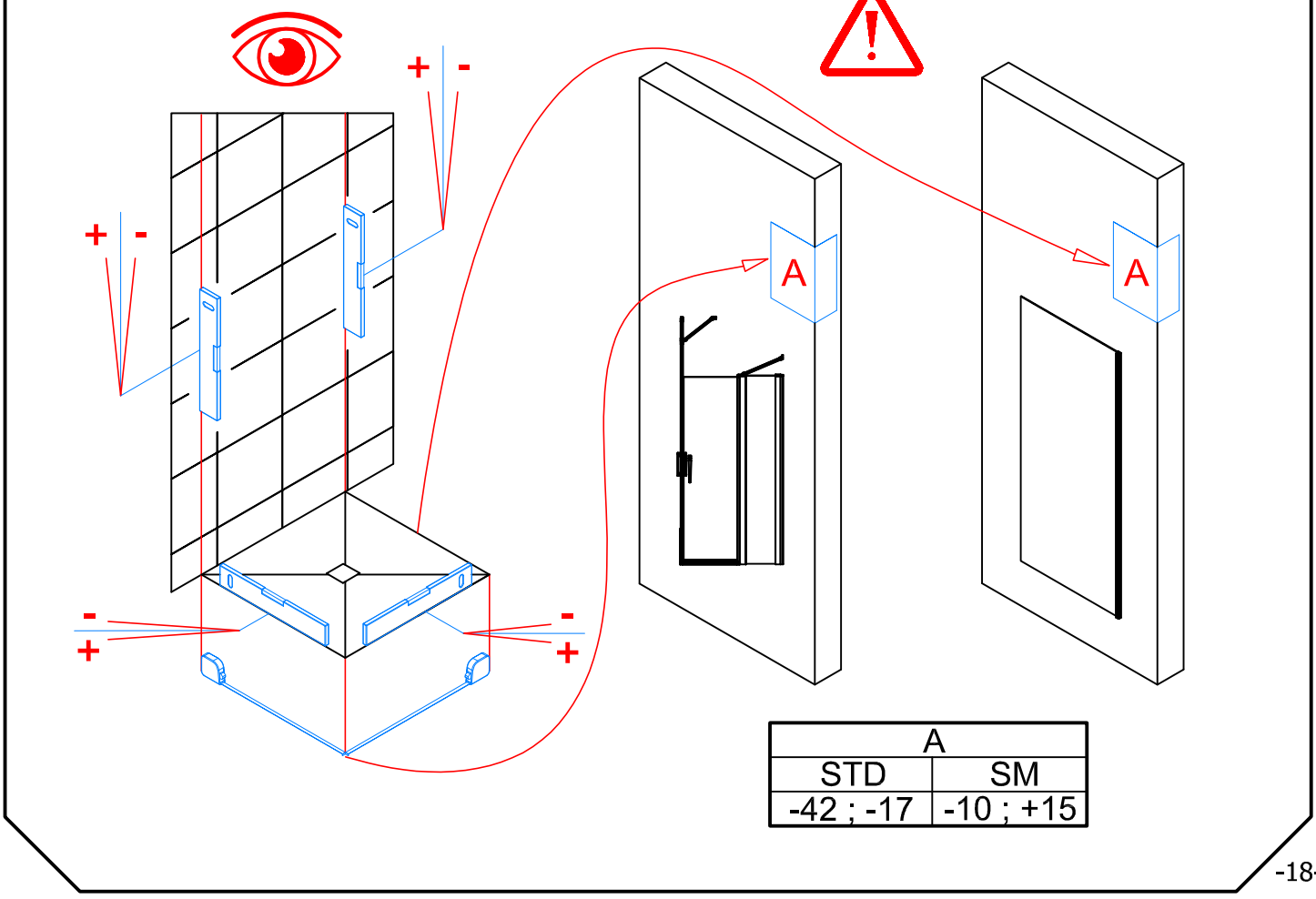


 1 x 81122.XX	 51209	 81169
 1 x 81123.XX	 1 x 81124.XX	

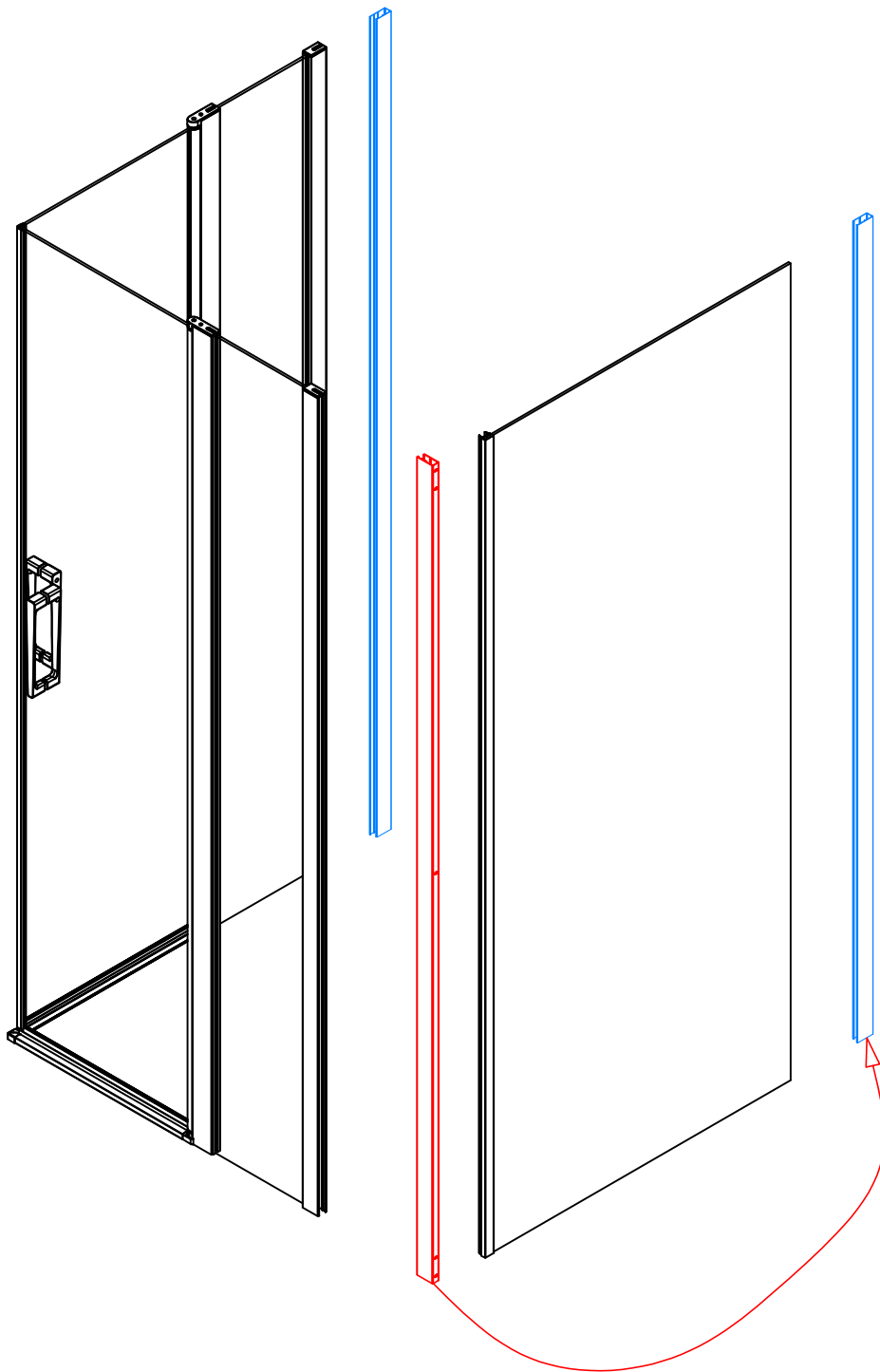


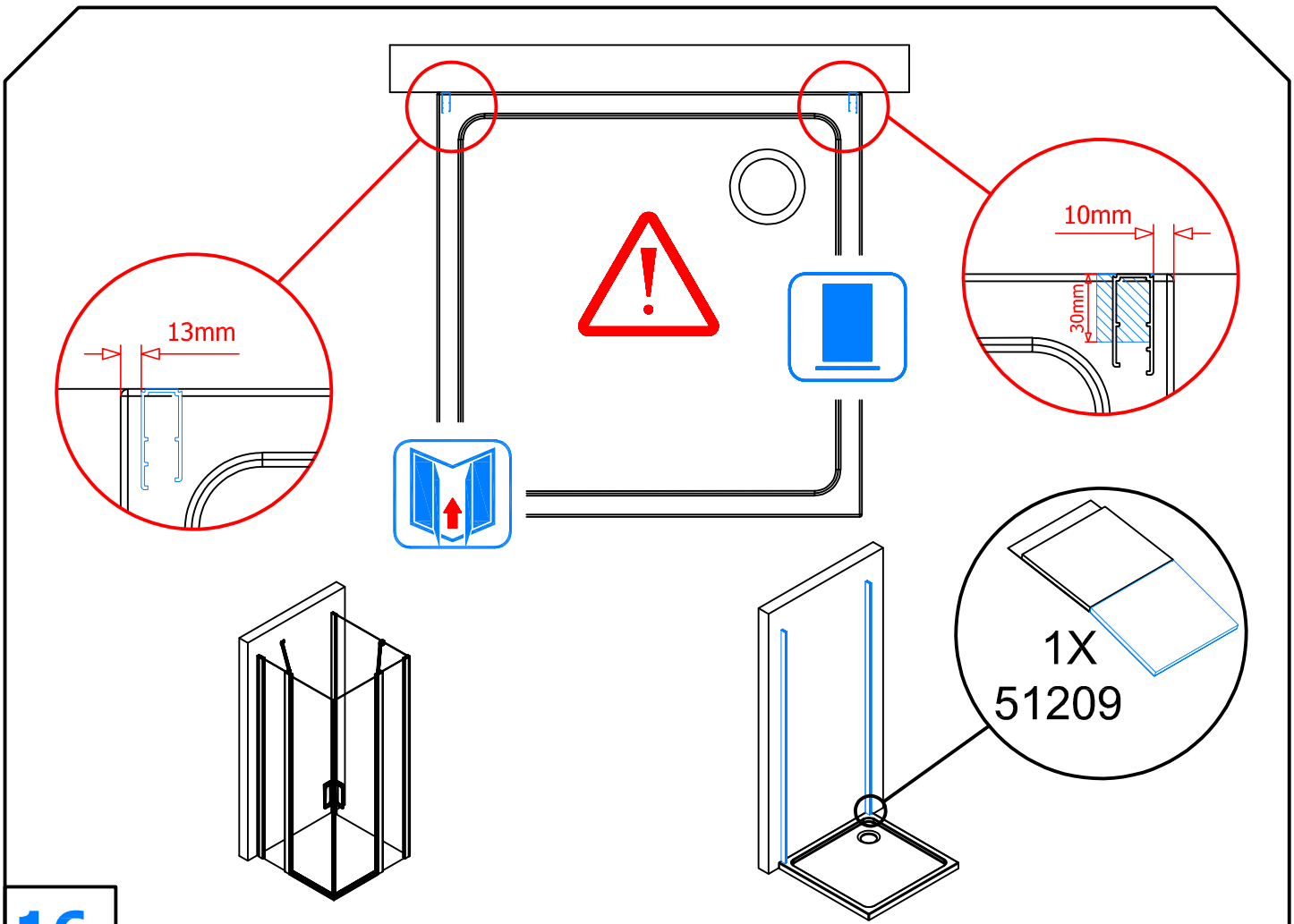


**14.**

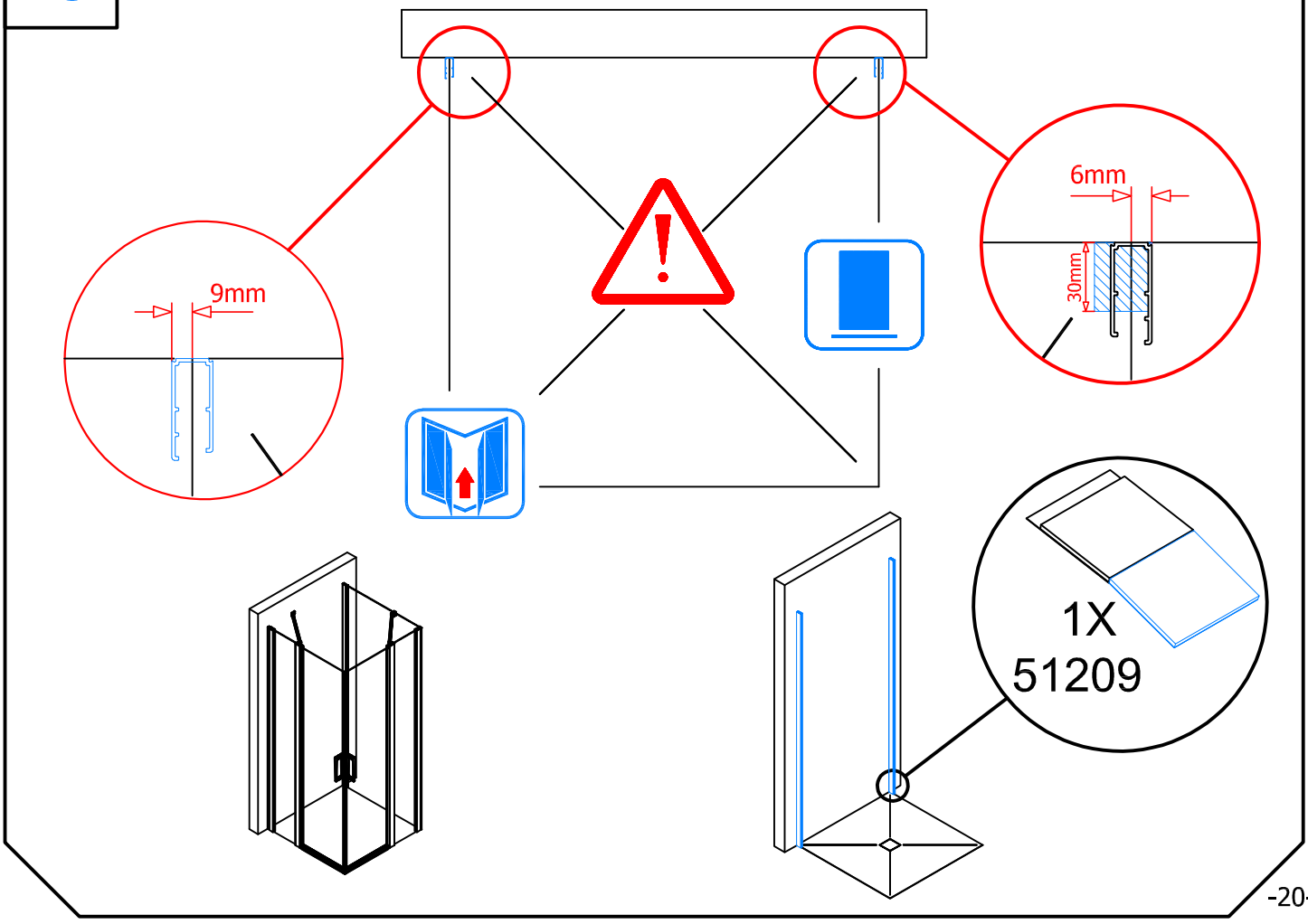


15.



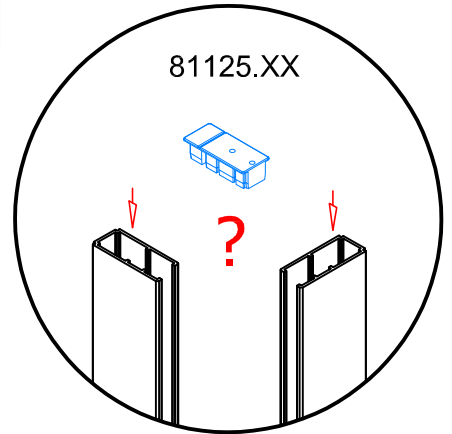
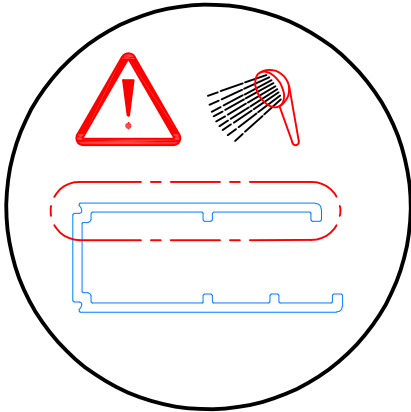


**16.**

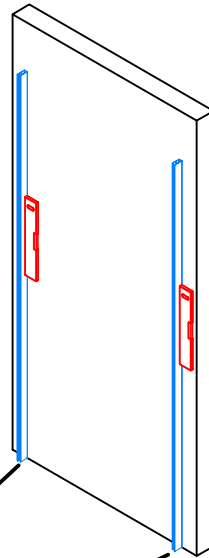


17.1

17.1 → 17.4



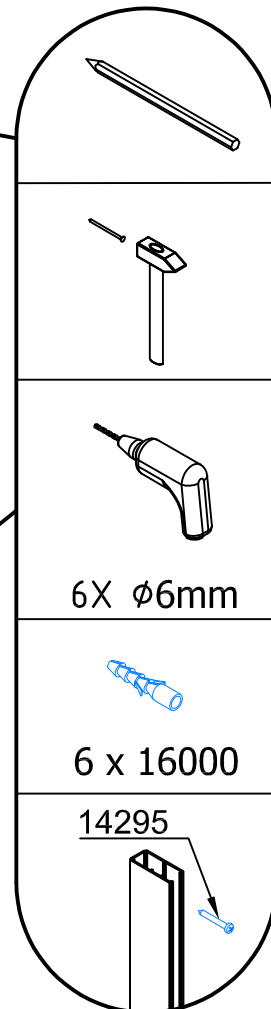
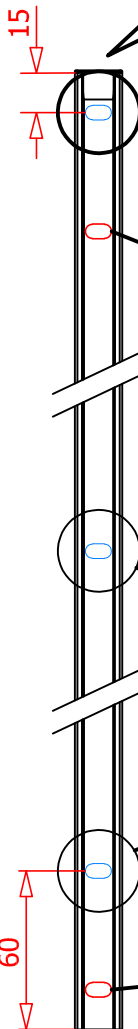
17.2



17.4



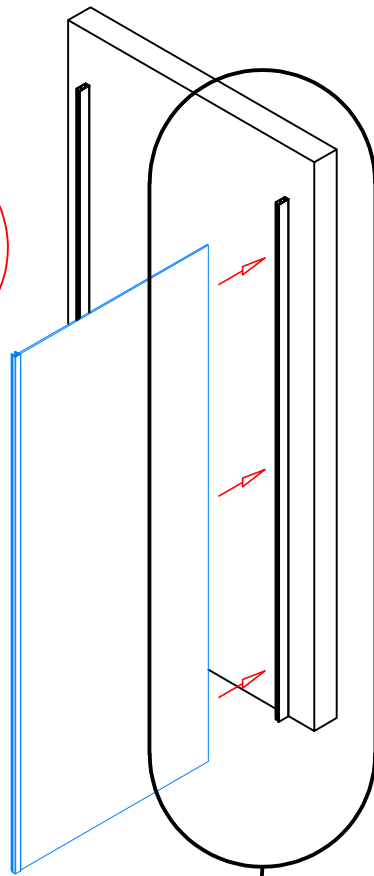
17.3



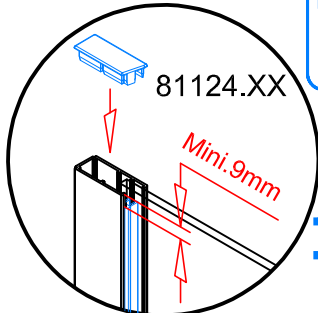
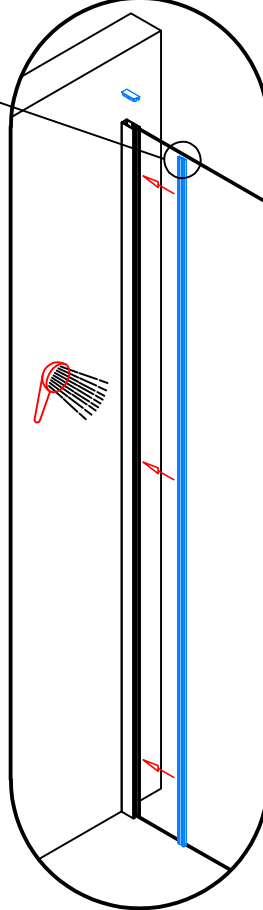
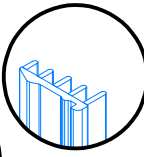
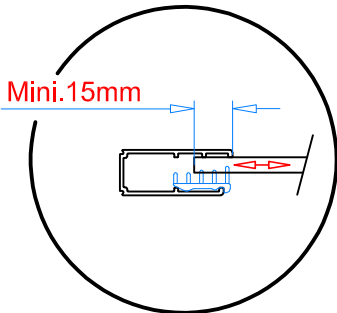
**18.1 → 18.4**



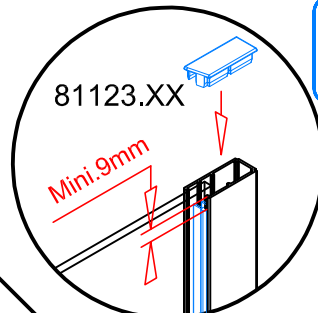
**18.1**



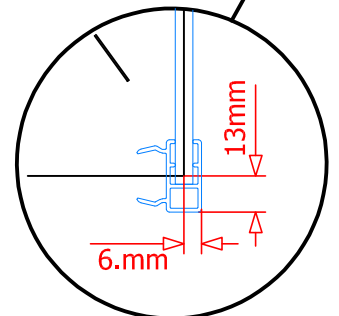
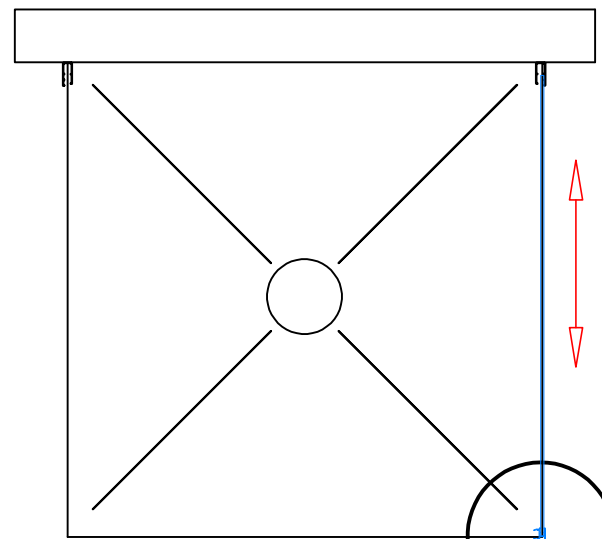
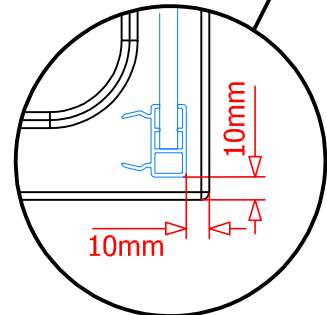
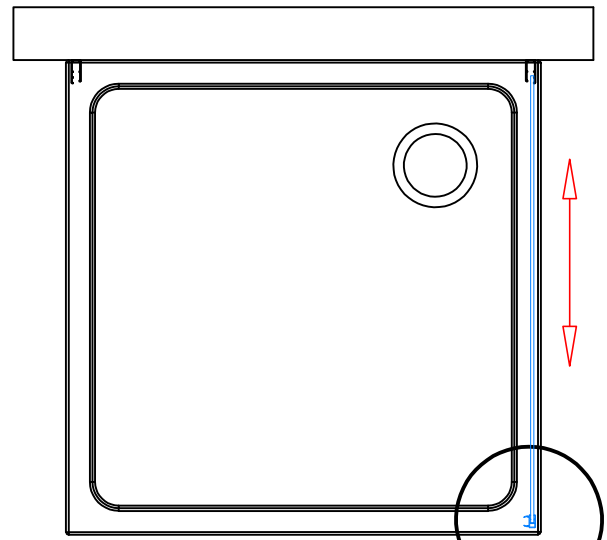
**18.3**



**18.4**

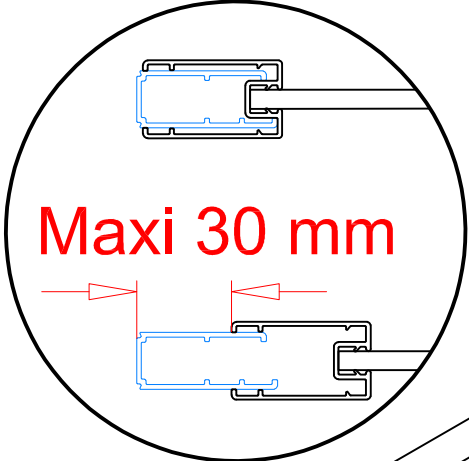
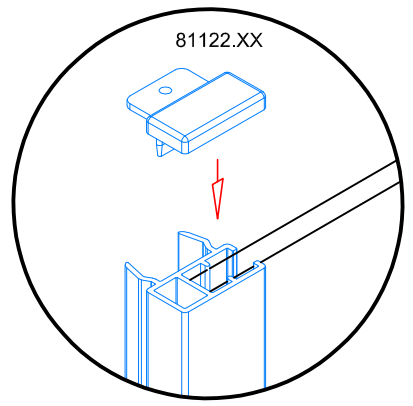


**18.2**



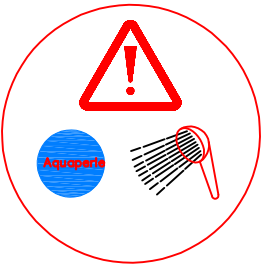
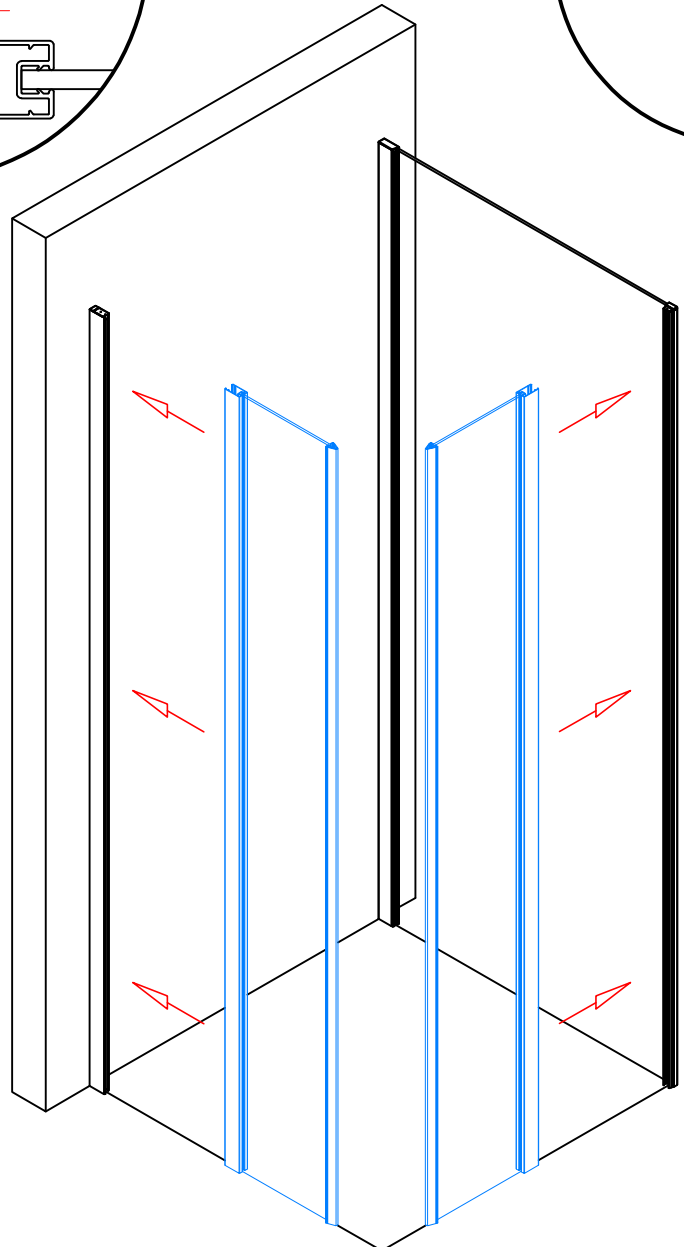
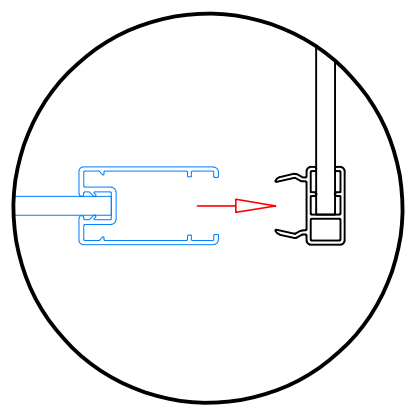
**19.1 → 19.2**

**19.1**

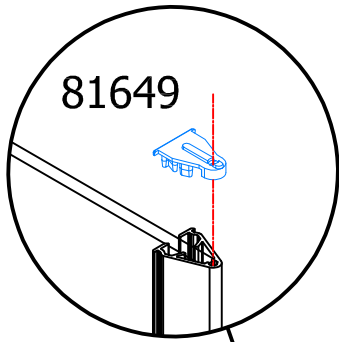


**Maxi 30 mm**

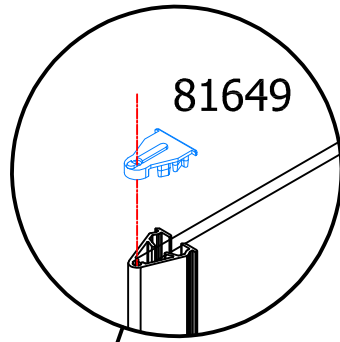
**19.2**



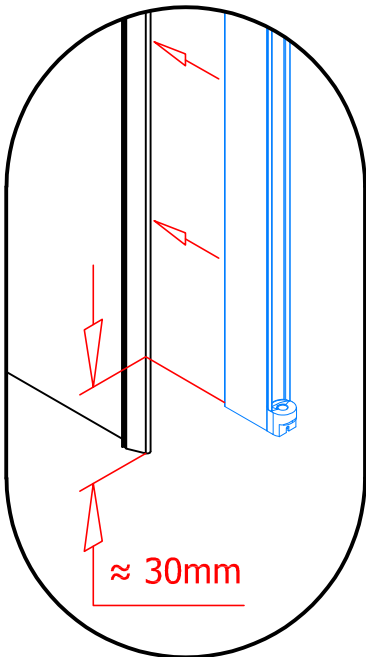
**20.1 → 20.4**



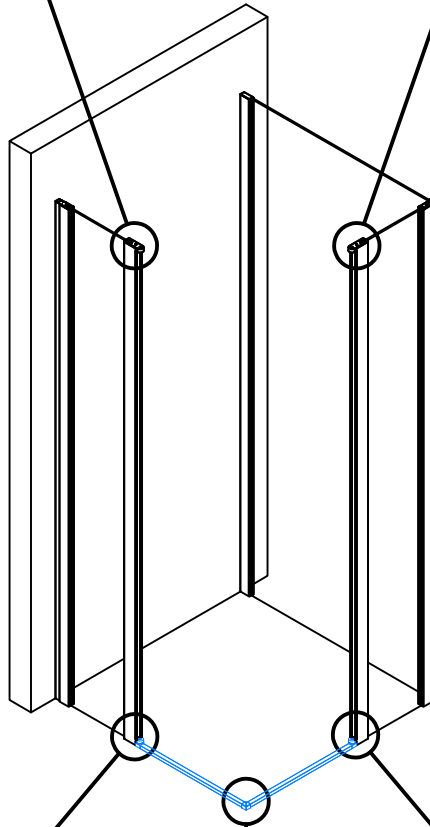
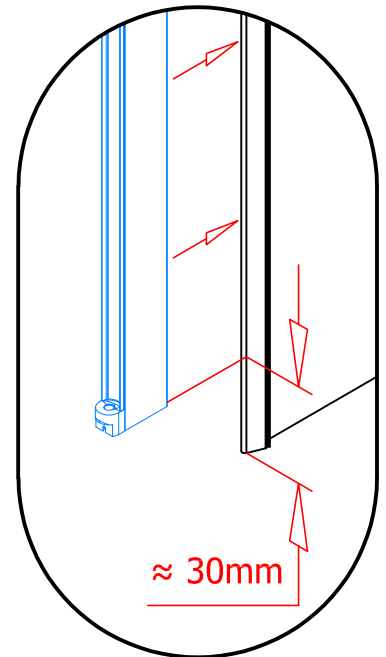
**20.1**



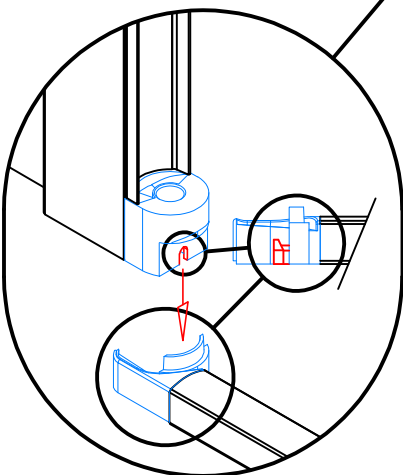
**20.2**



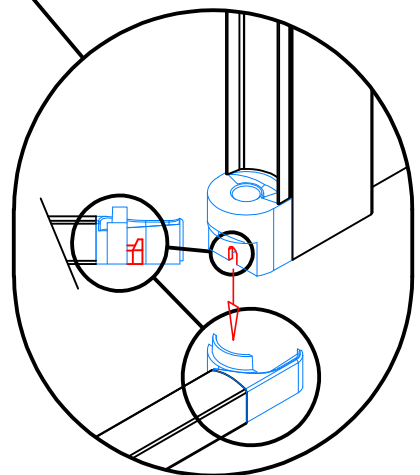
**20.2**



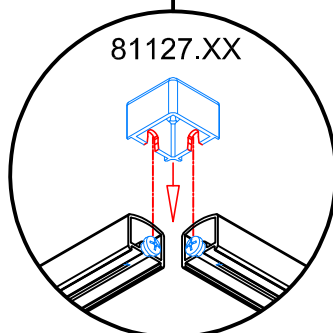
**20.3**



**20.3**



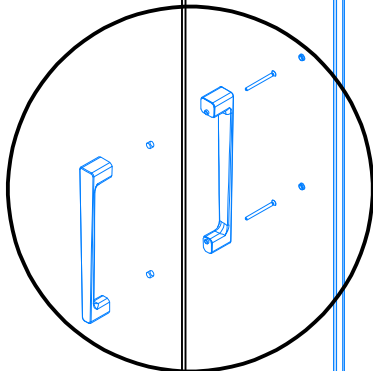
**20.4**



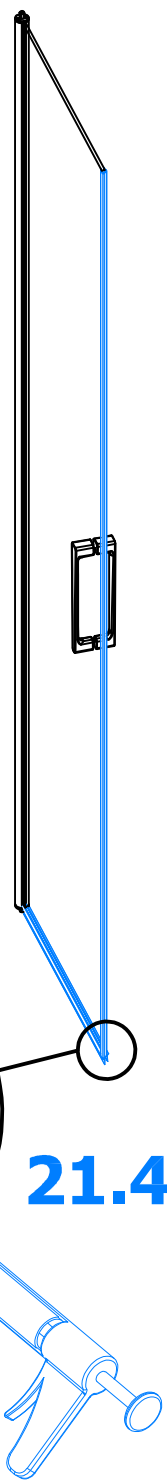


21.1 → 21.4

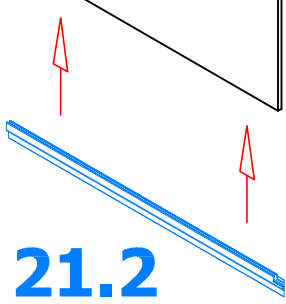
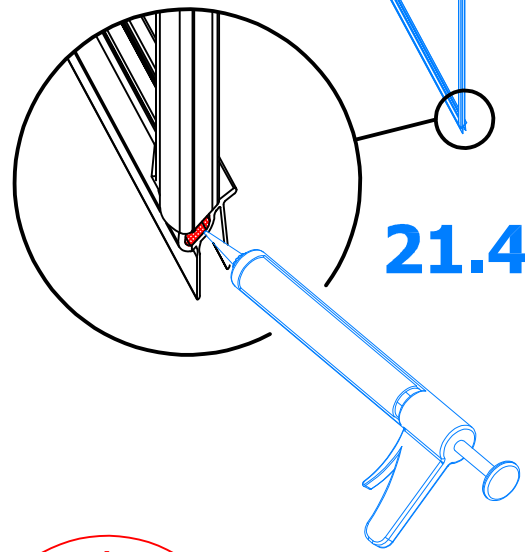
21.1



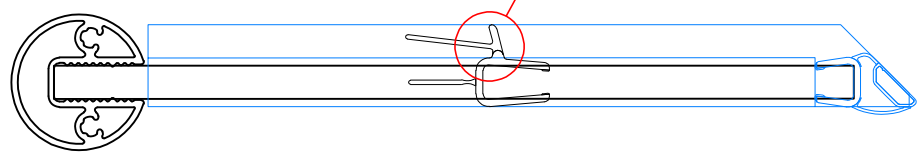
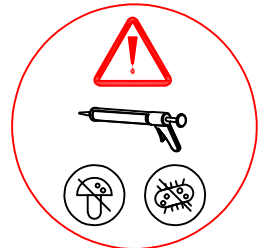
21.3



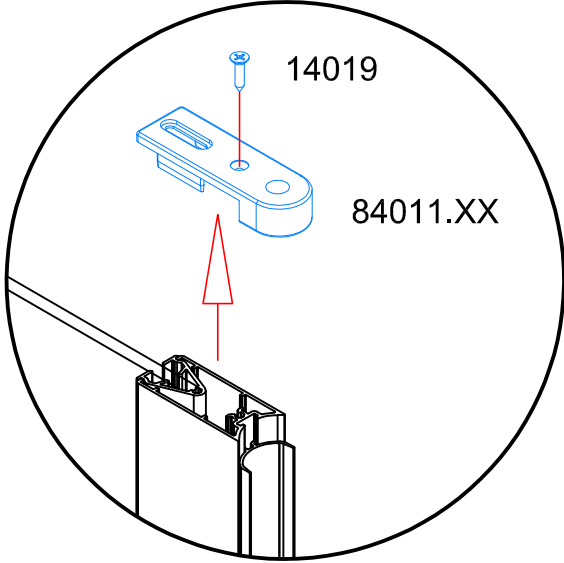
21.4



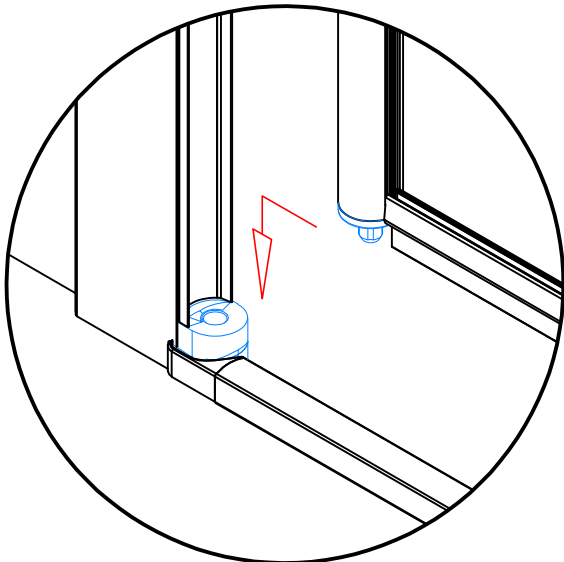
21.2



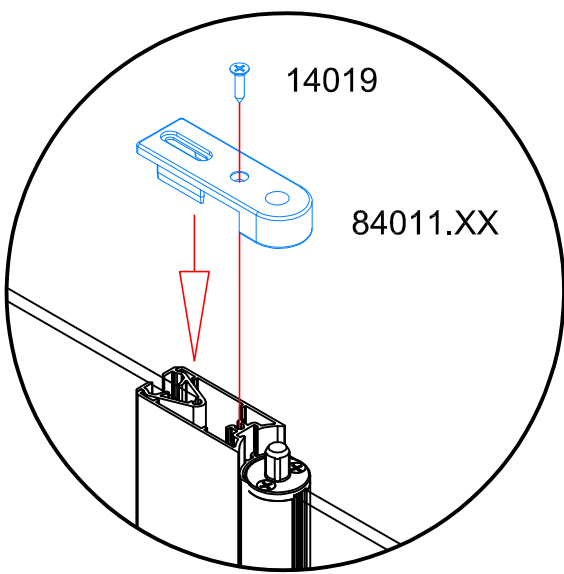
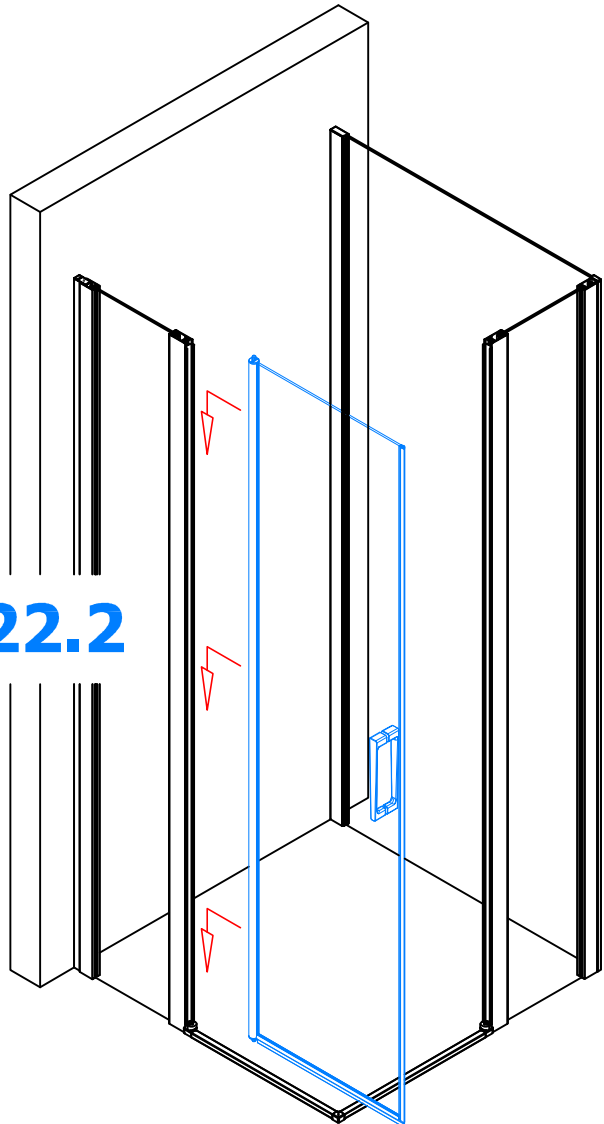
**22.1 → 22.3**



**22.1**

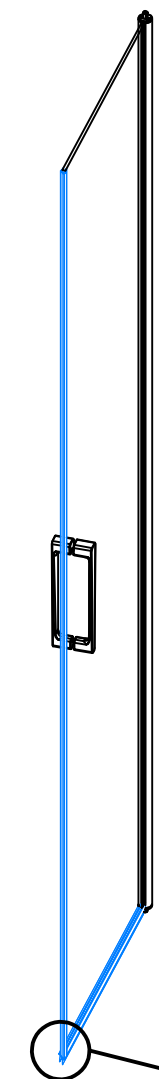


**22.2**



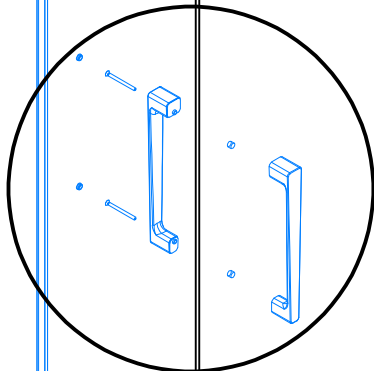
**22.3**

**23.1 → 23.4**

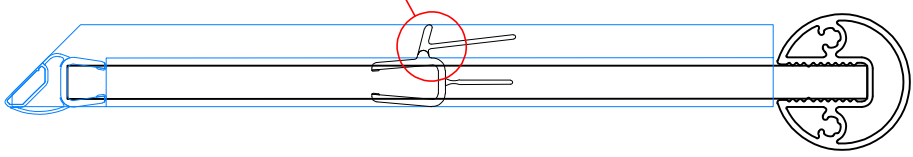
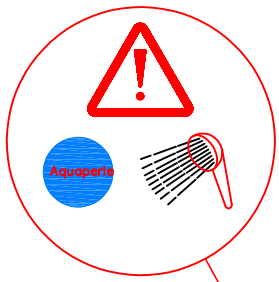
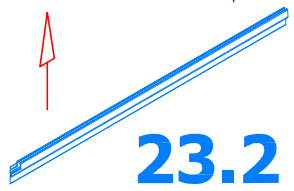
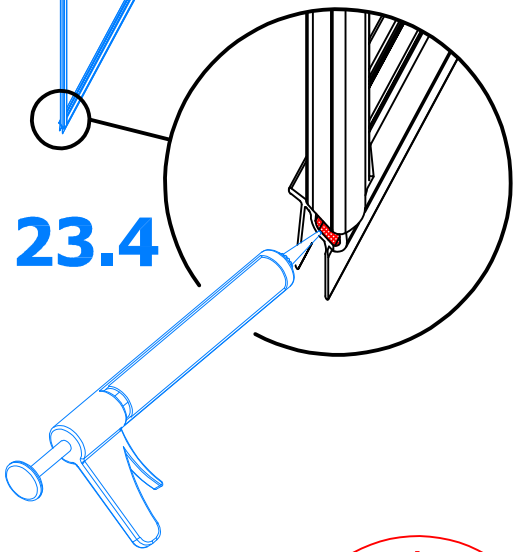


**23.3**

**23.1**

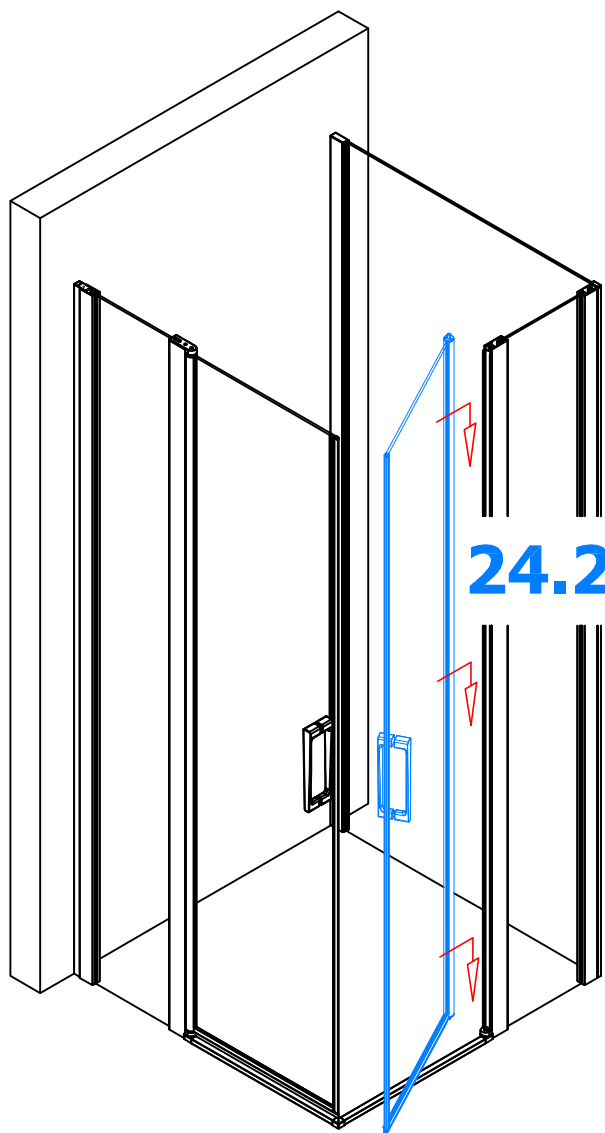
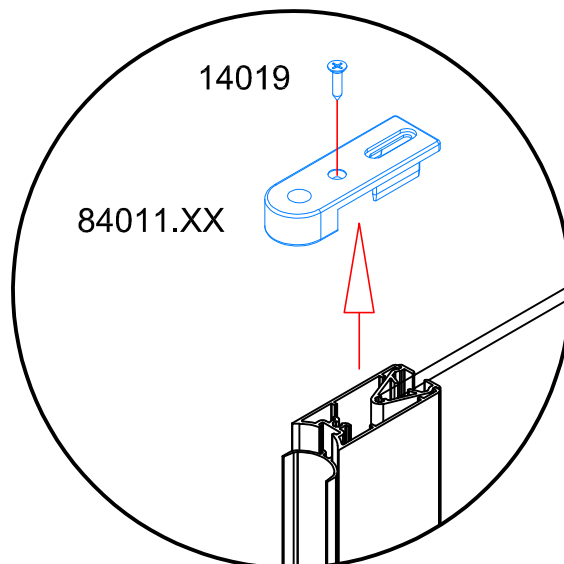


**23.4**

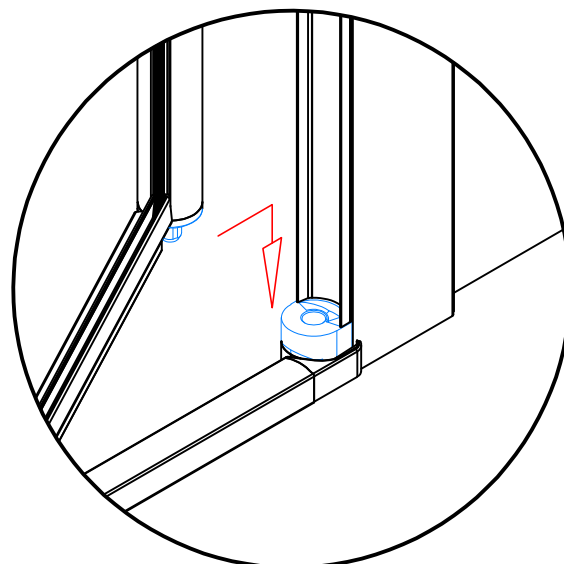


**24.1 → 24.3**

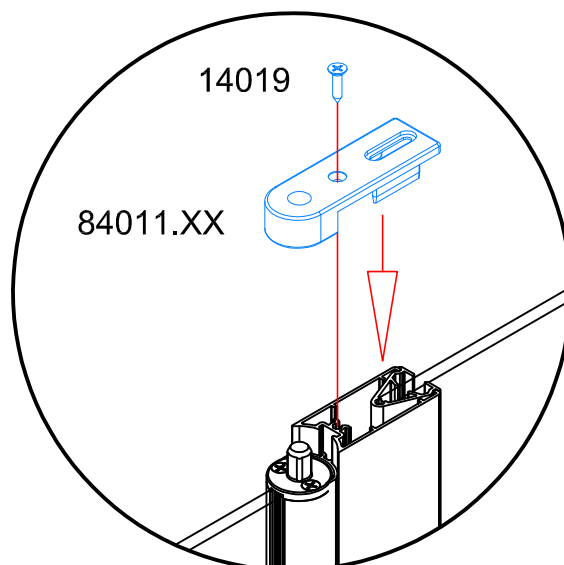
**24.1**



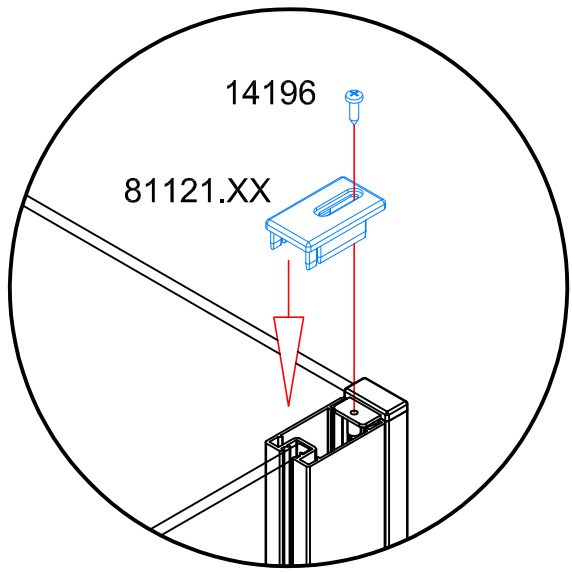
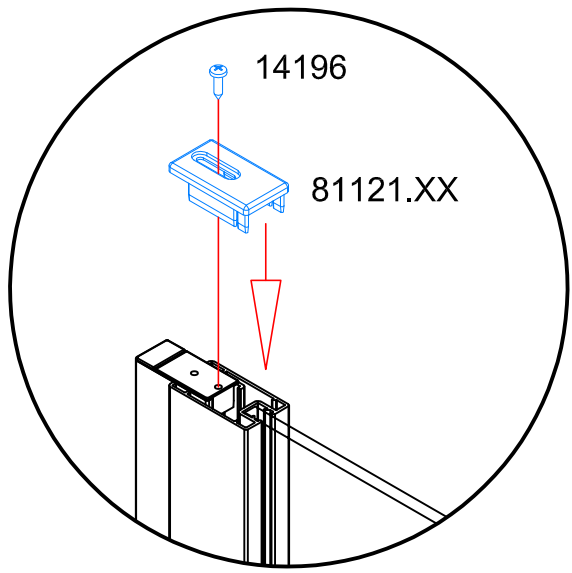
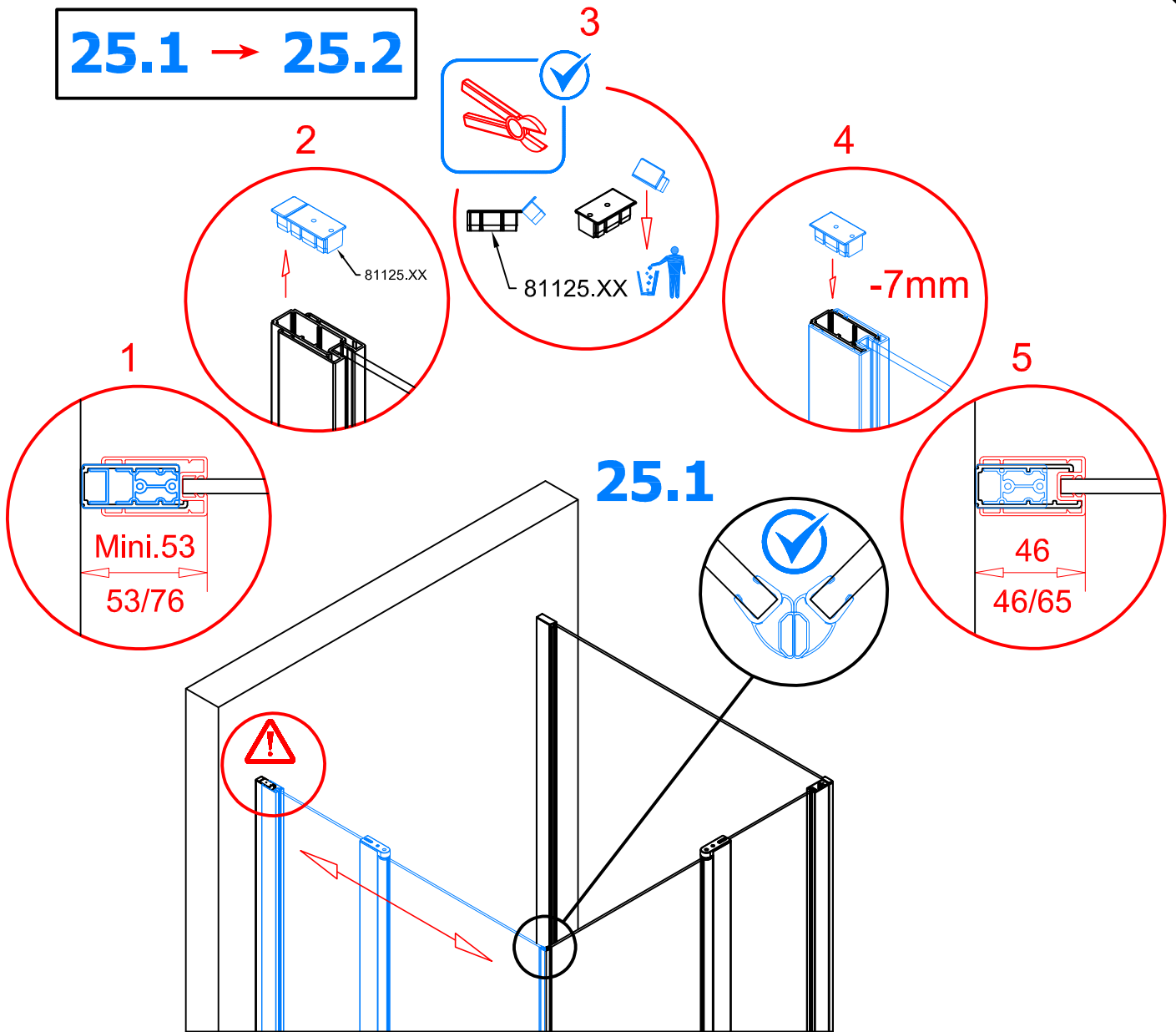
**24.2**



**24.3**

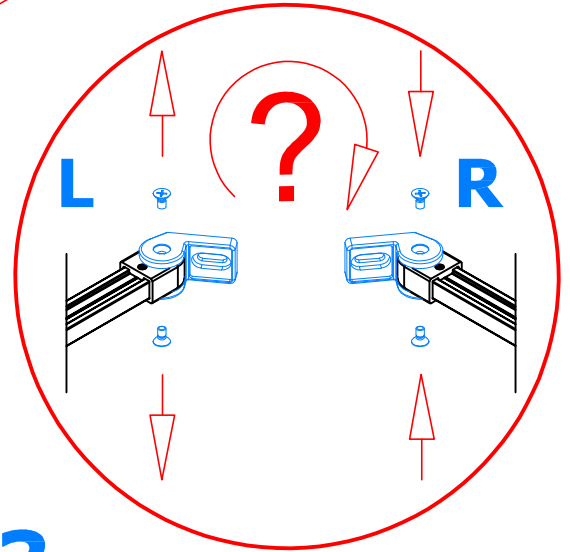
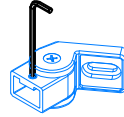
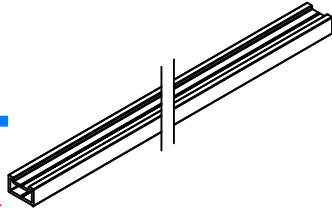
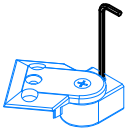


**25.1 → 25.2**



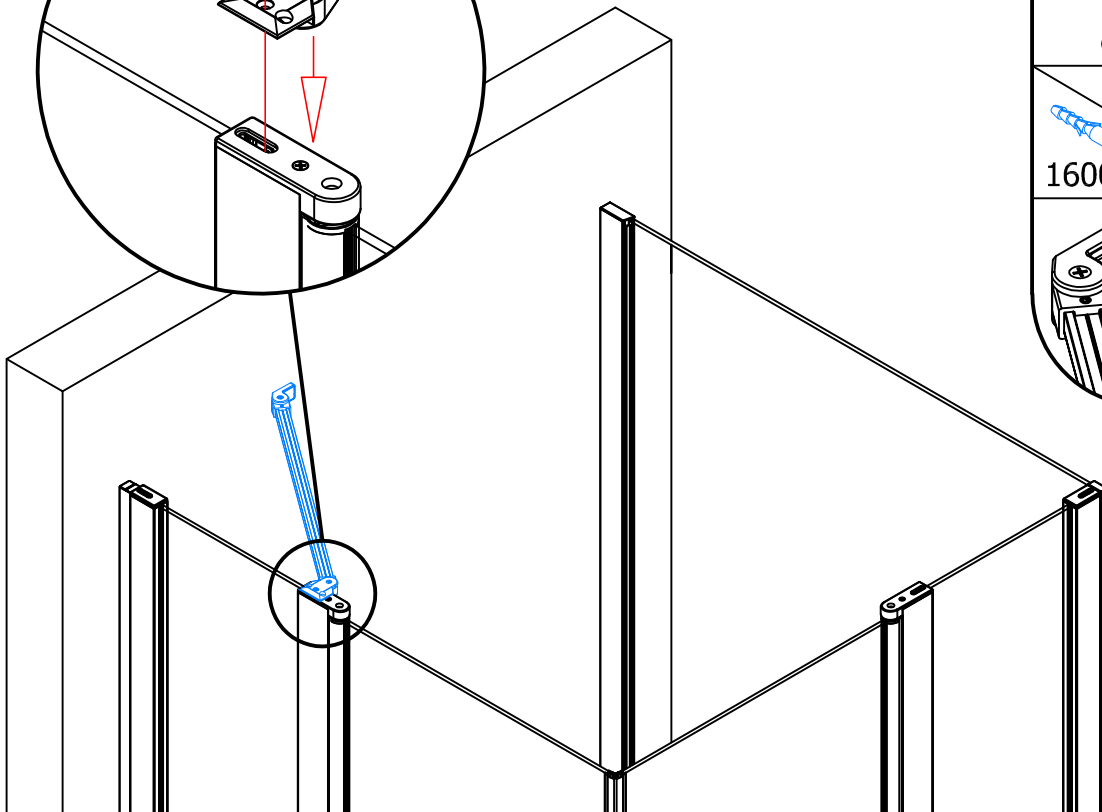
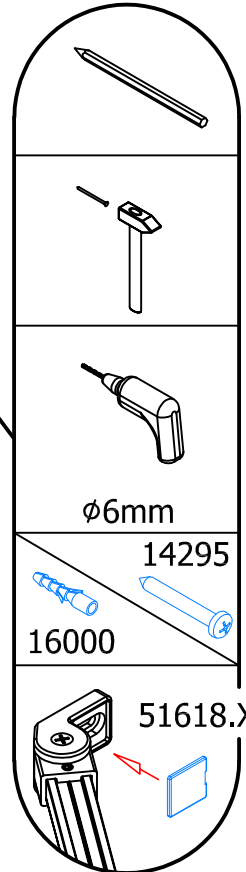
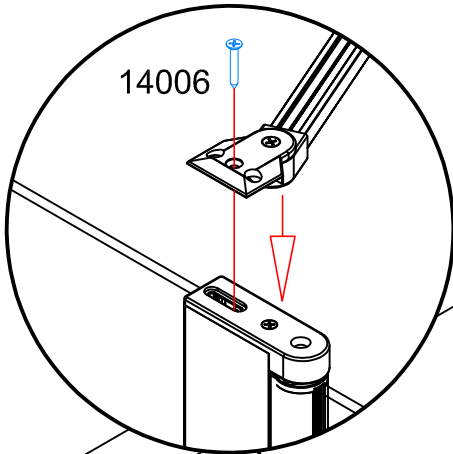
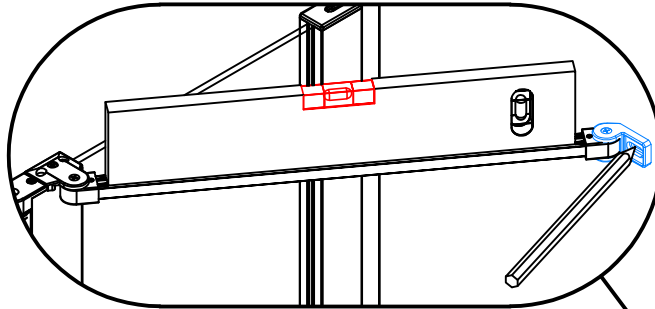
26.1 → 26.3

26.1



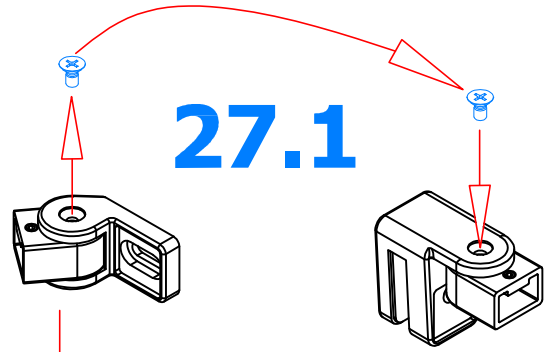
26.3

26.2



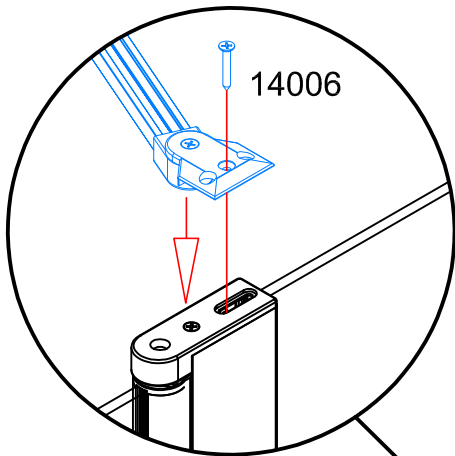
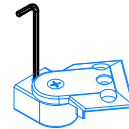
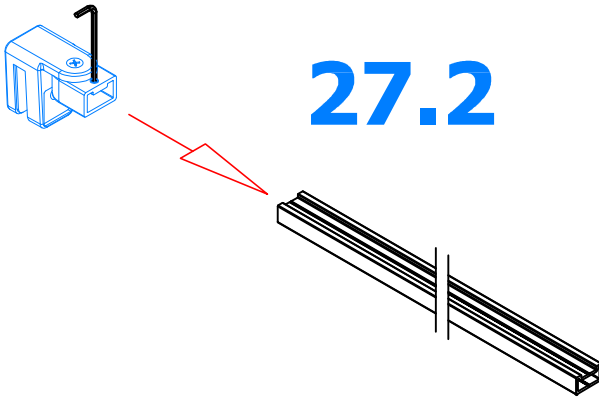
27.1 → 27.4

27.1

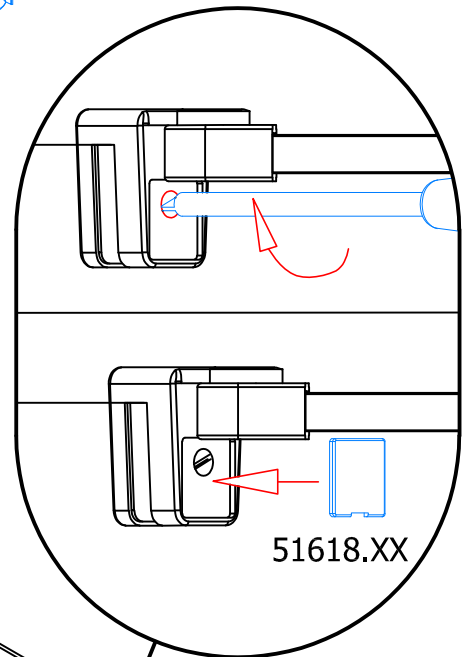


D22FPG.XX

27.2



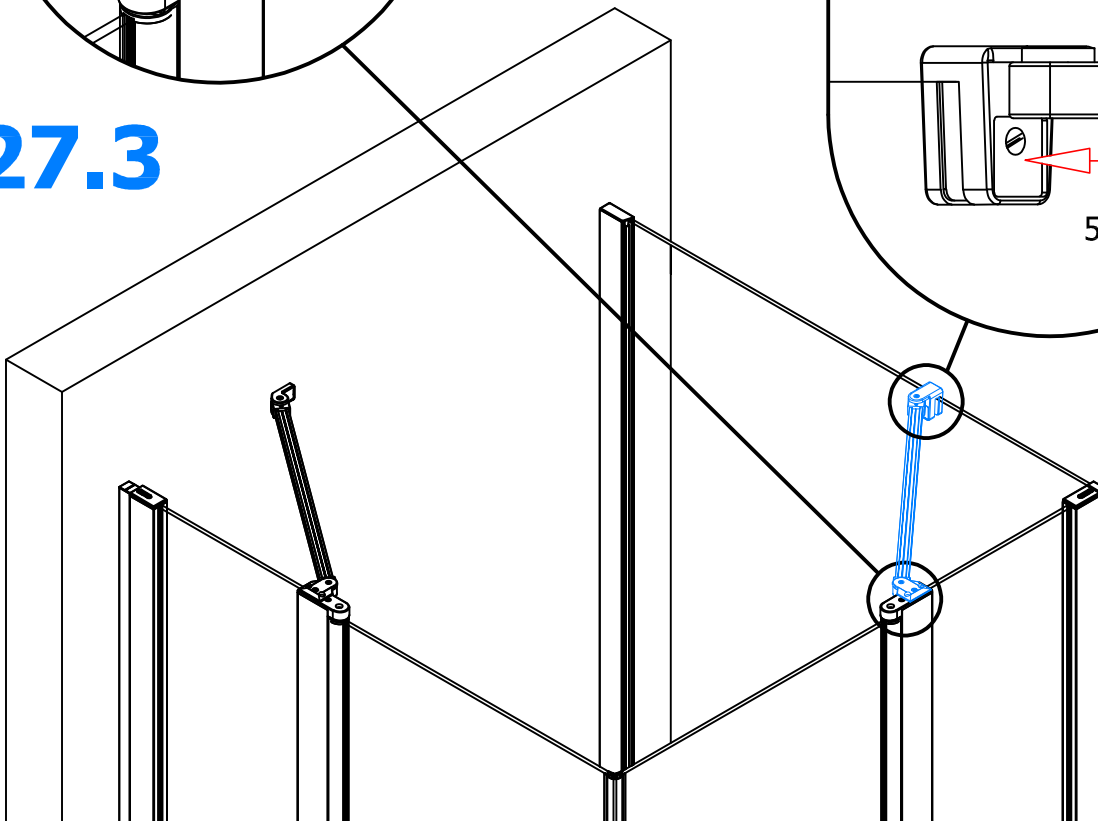
14006



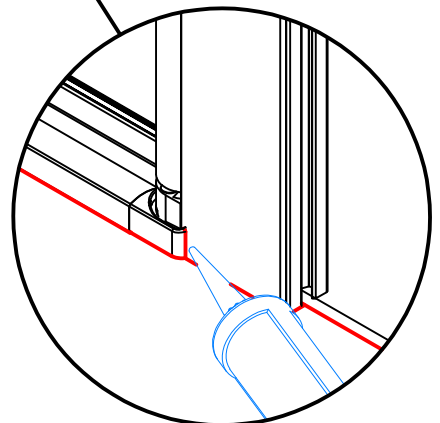
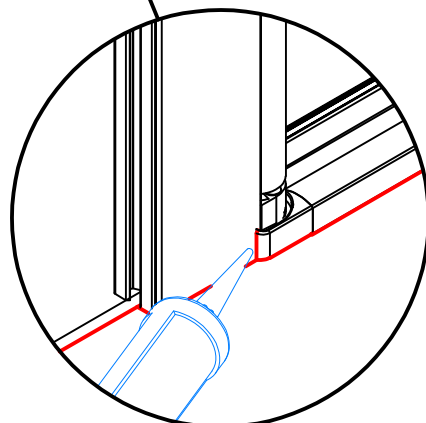
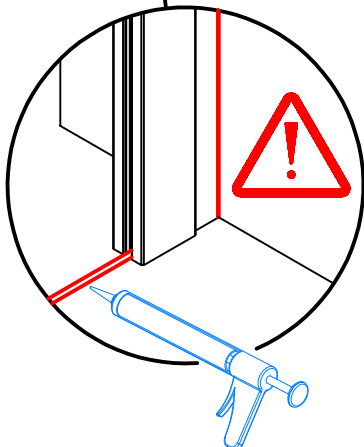
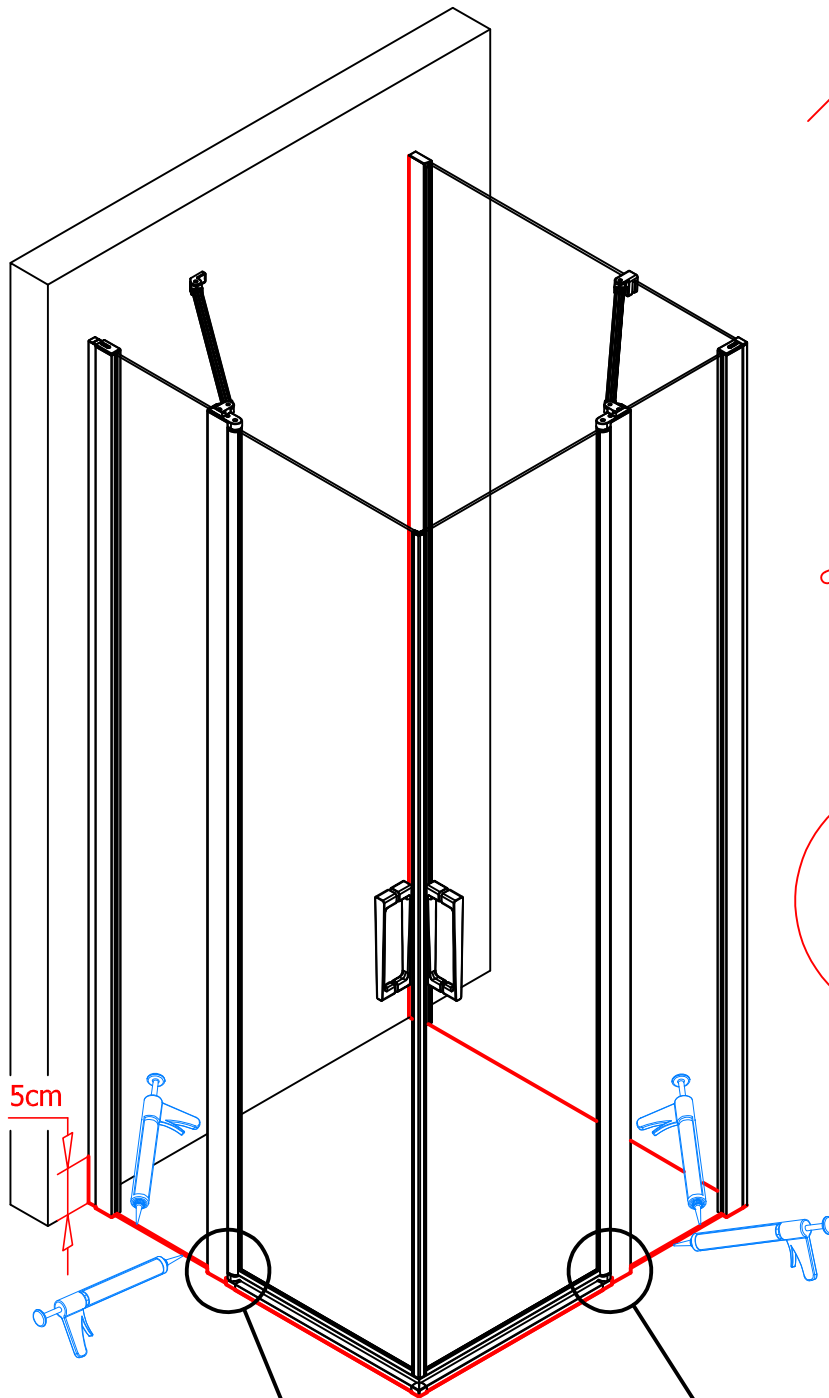
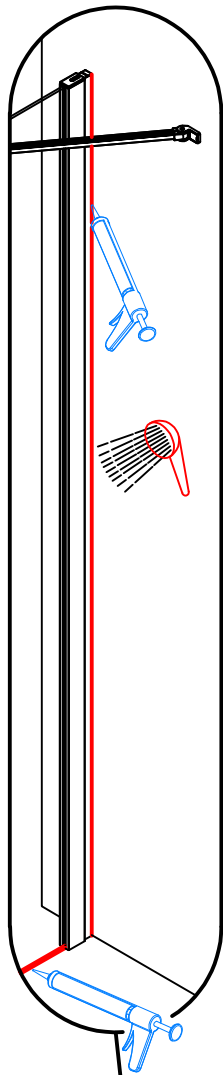
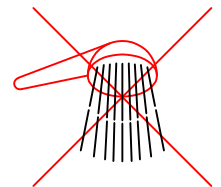
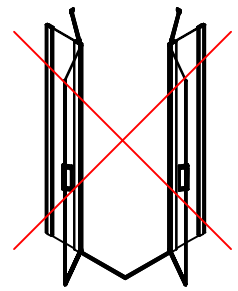
51618.XX

27.3

27.4

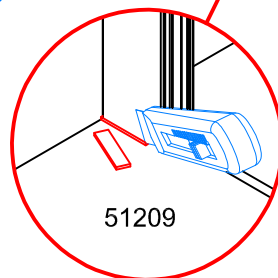
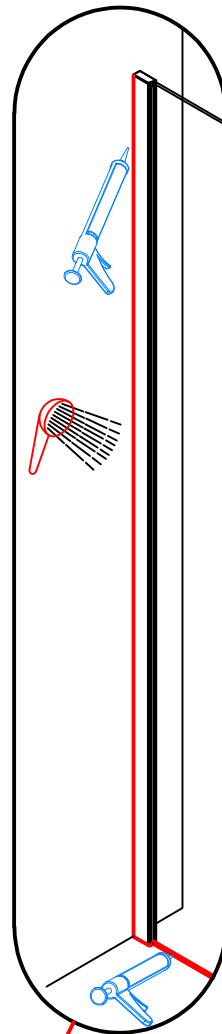
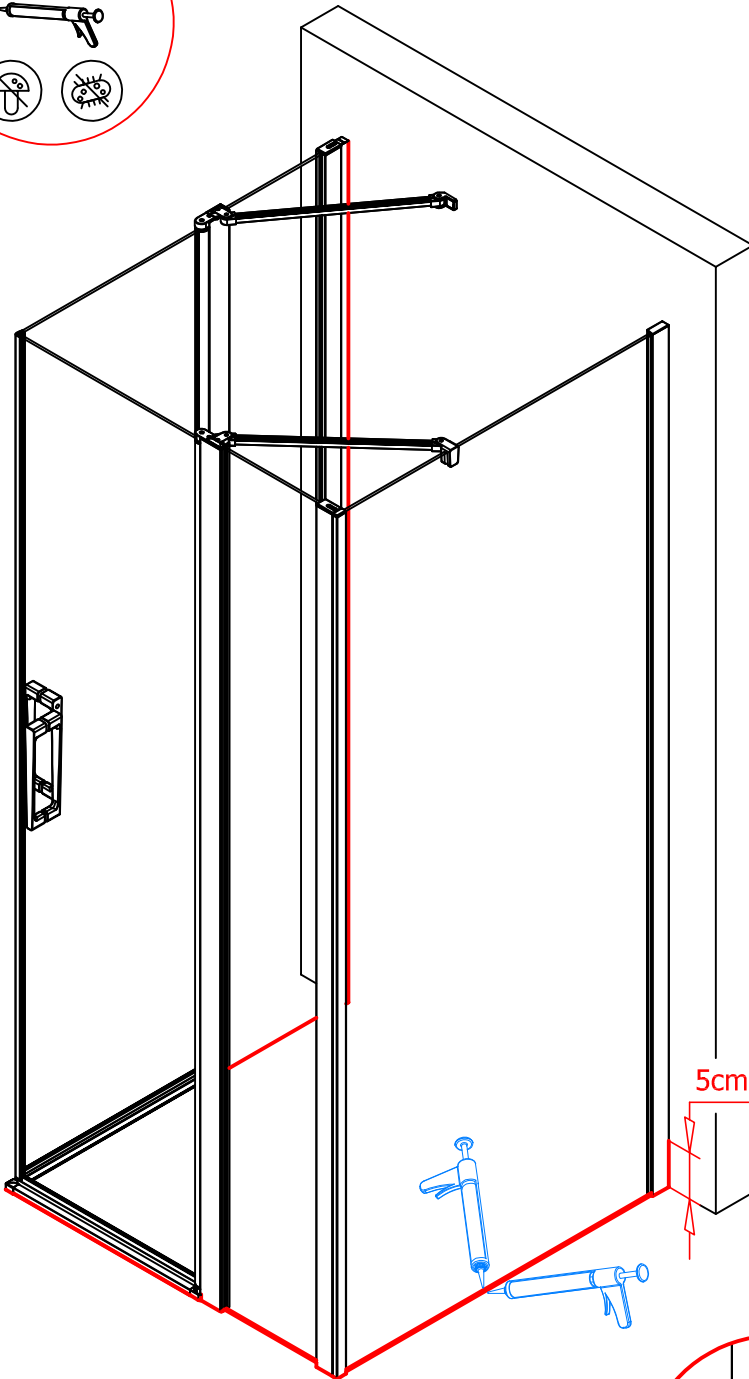
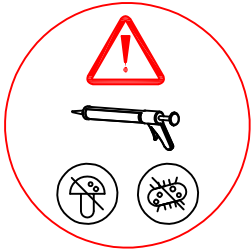
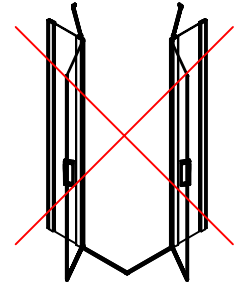
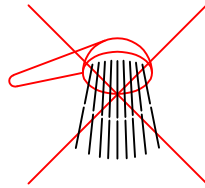


28.





29.





# D22DE2B D22F1

