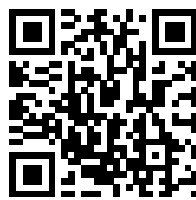
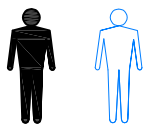
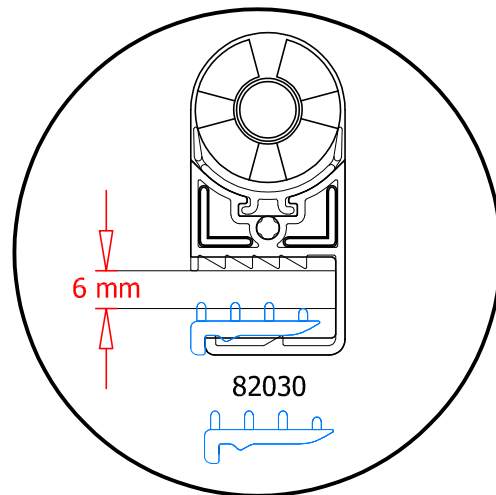
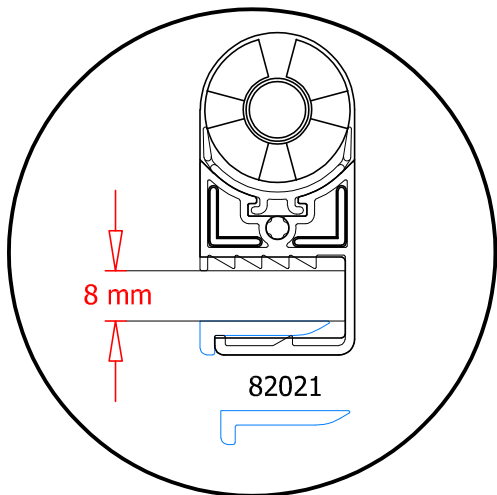
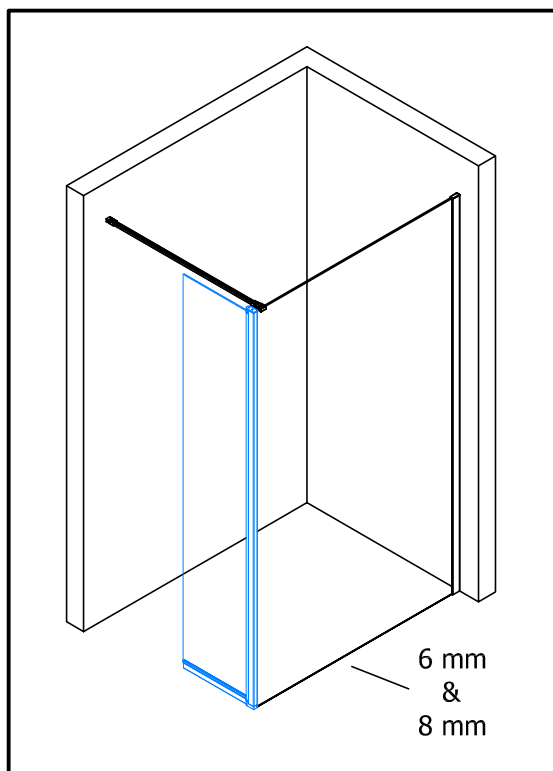
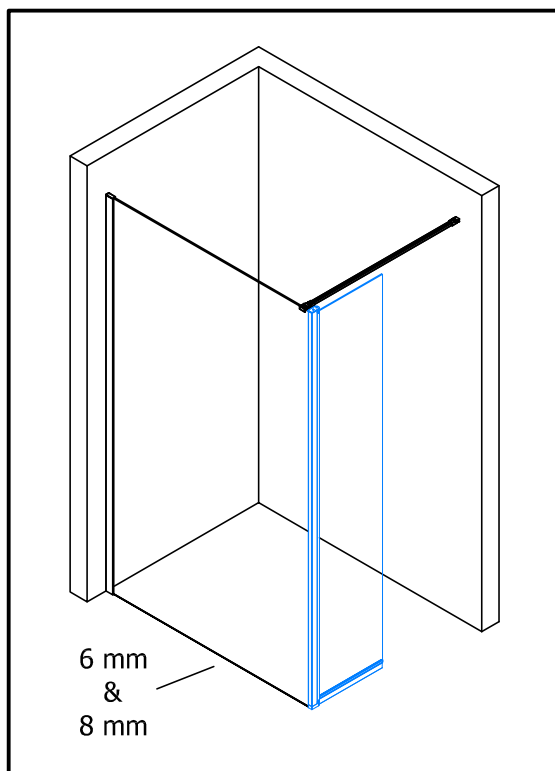


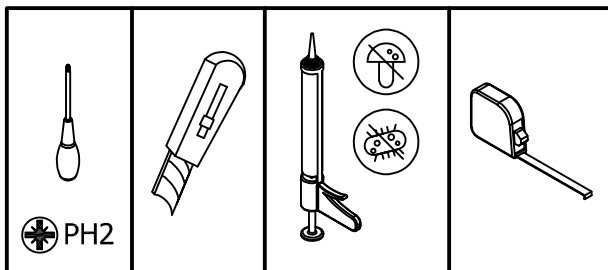
# 19784












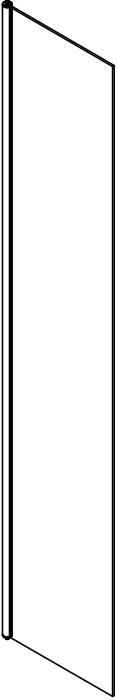

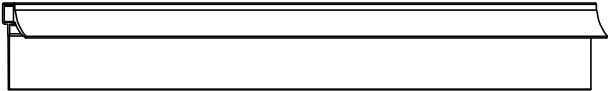




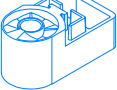
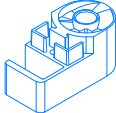



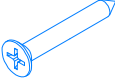
BTE2



1x

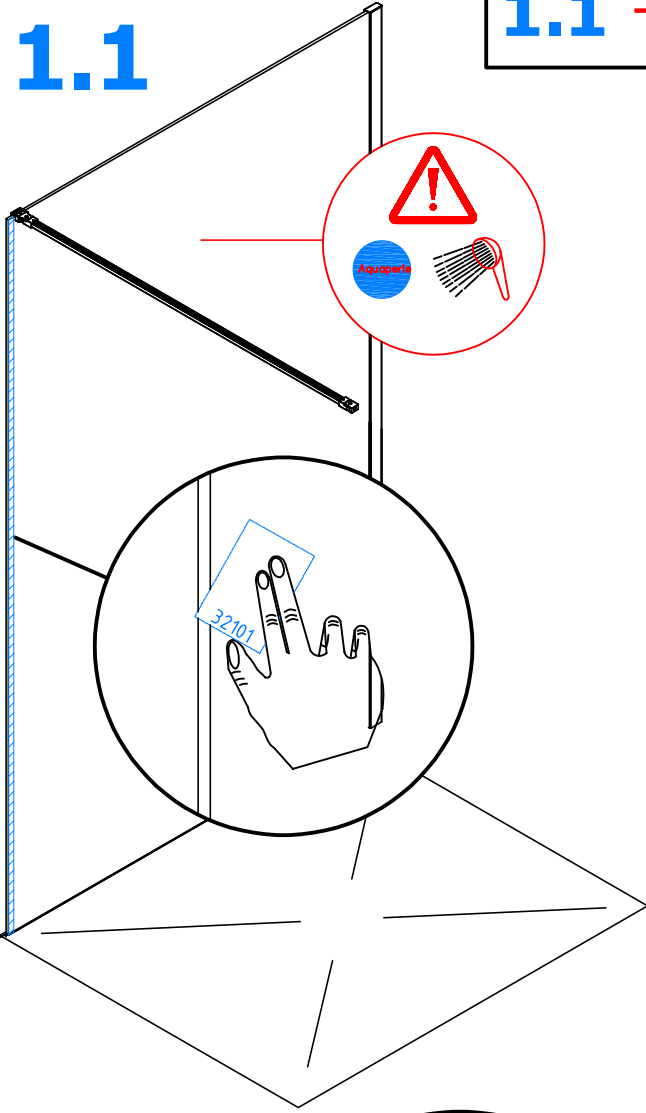
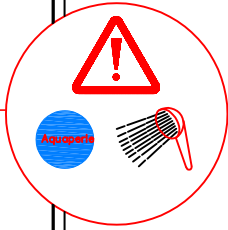


	80027AXX.XXXX	82030.XXXX	82021.XXXX	12476.XXXX	82015.XXXX		
	 	 	 	 	 		
		82020.XXX					
							

	 1 x 81149.XX	 1 x MT0459.XX	 1 x MT0460.XX	 1 x 84024.XX
	 1 x 32101	 1 x 14019 3.5 X 16	 1 x 14013 3.5 X 32	

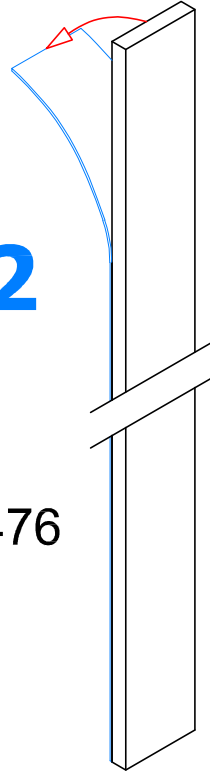
1.1

1.1 → 1.4

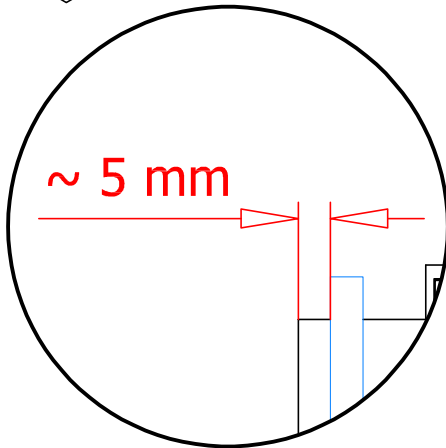
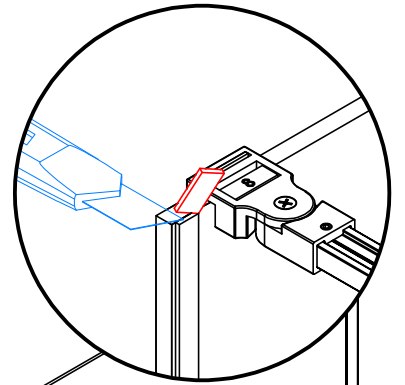


1.2

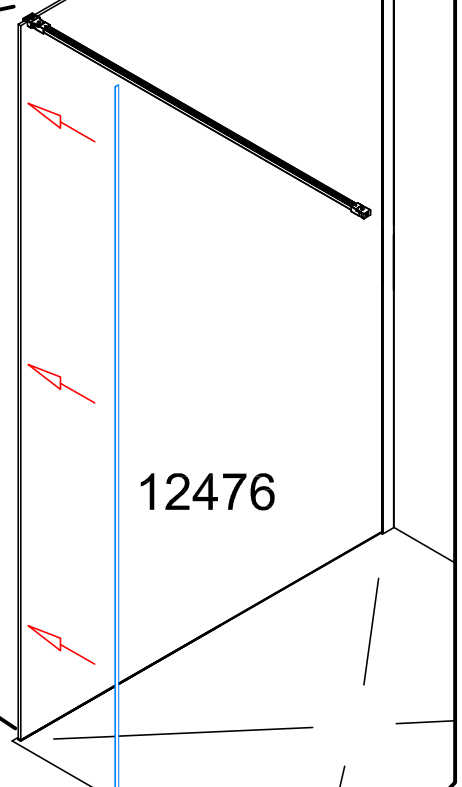
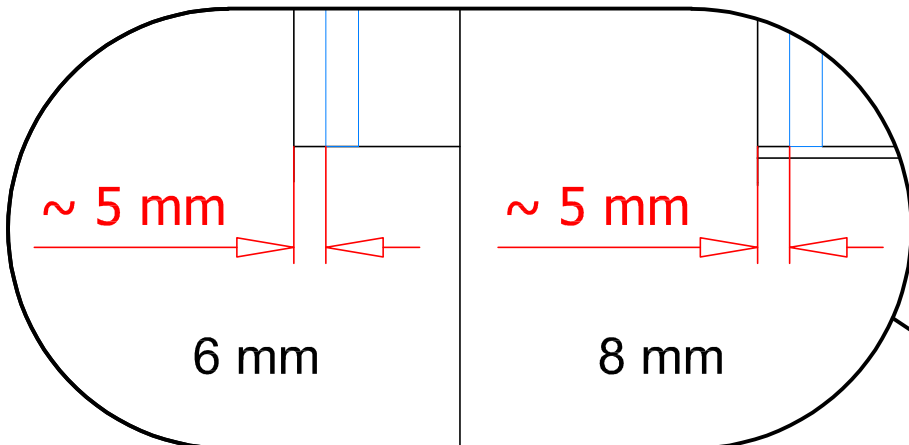
12476



1.4



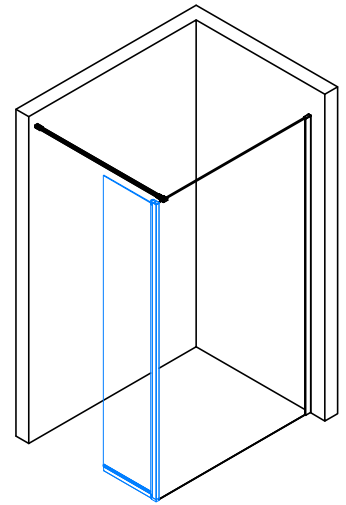
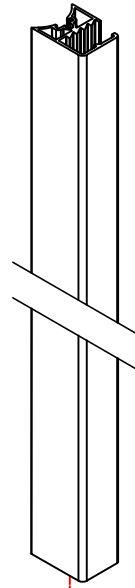
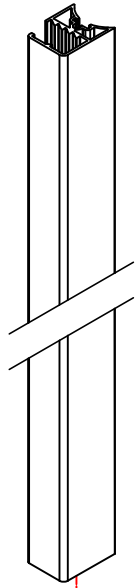
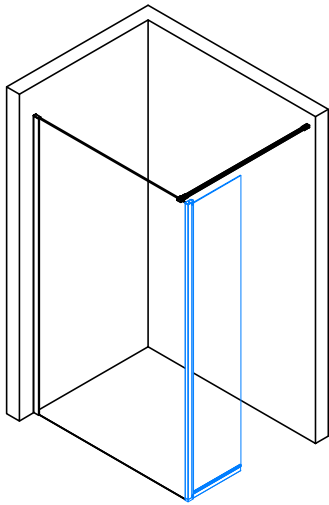
1.3



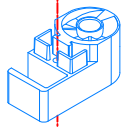
12476

80027AXX.XXXX

2.



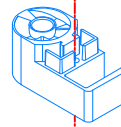
MT0460



14013



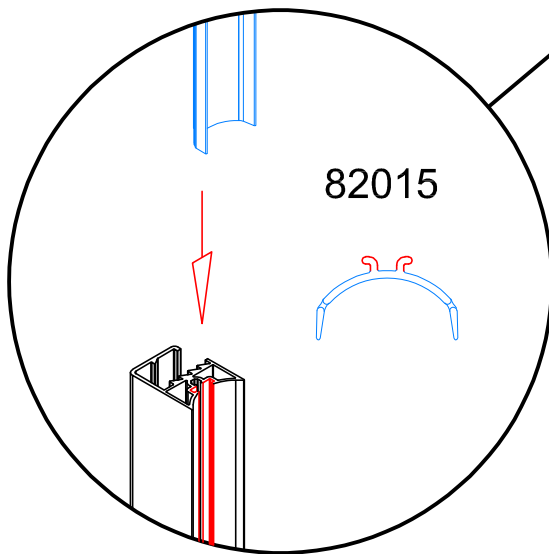
MT0459



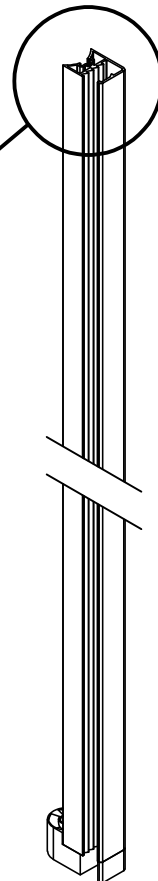
14013



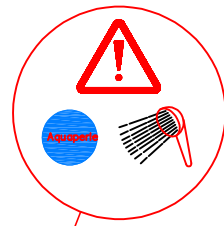
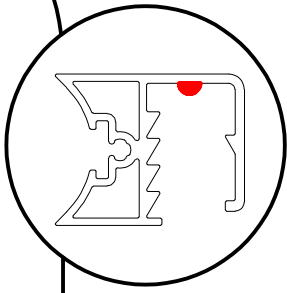
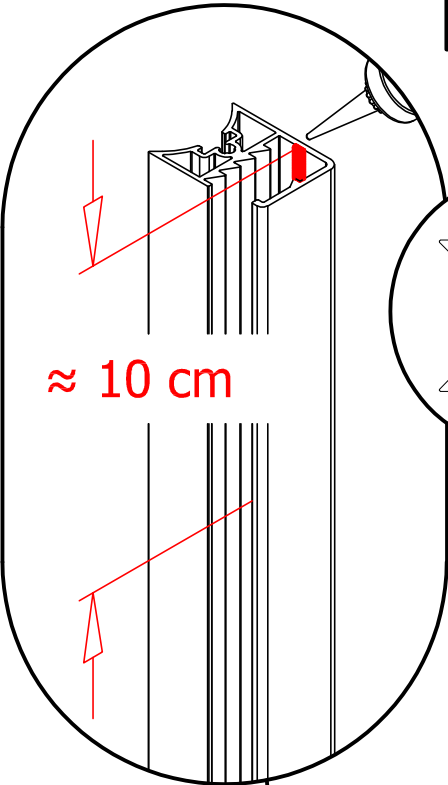
3.



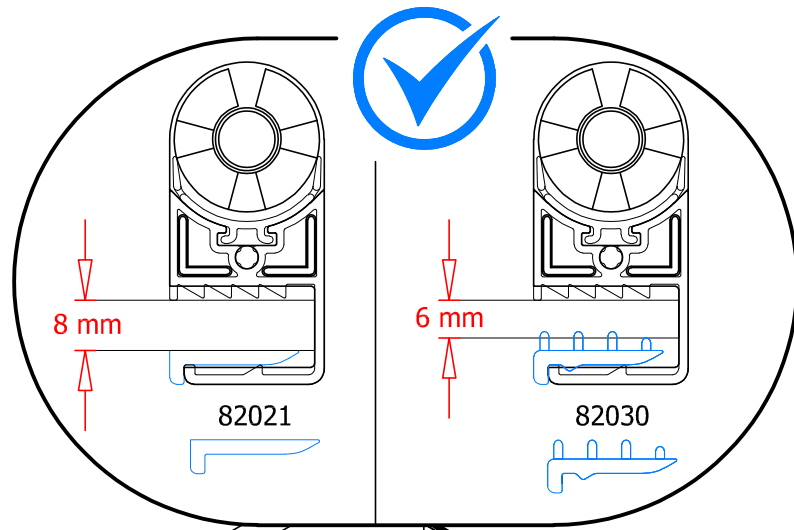
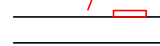
82015



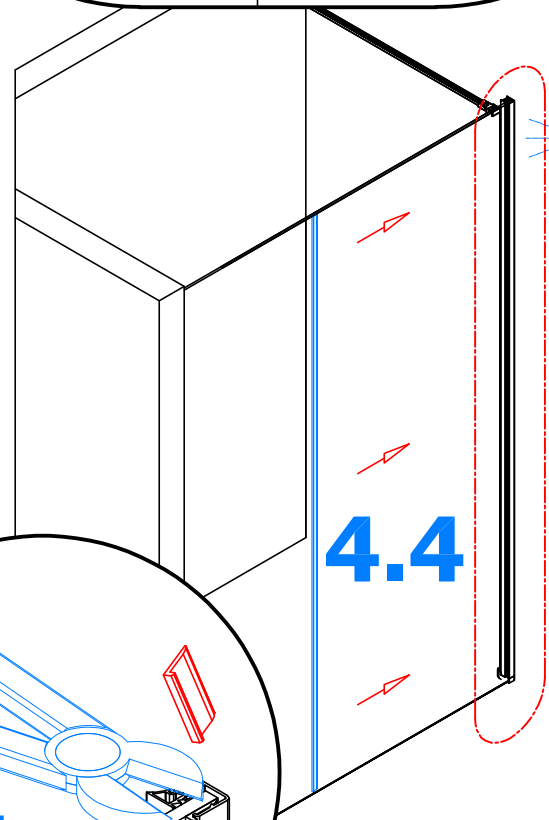
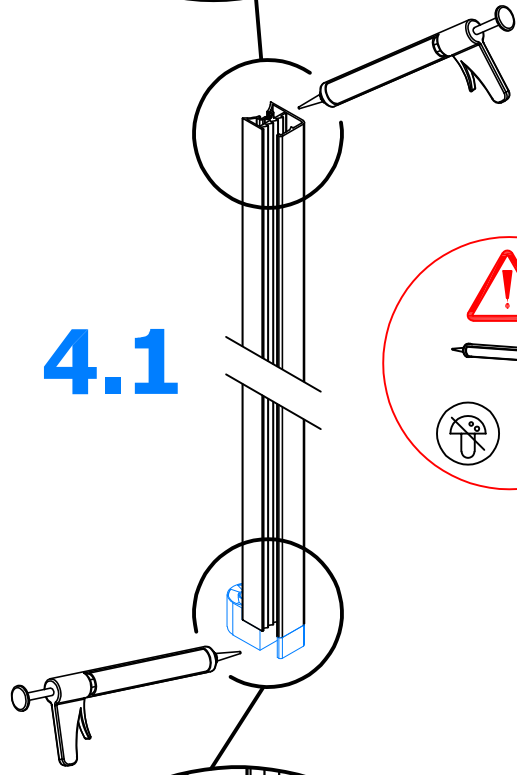
4.1 → 4.5



4.2

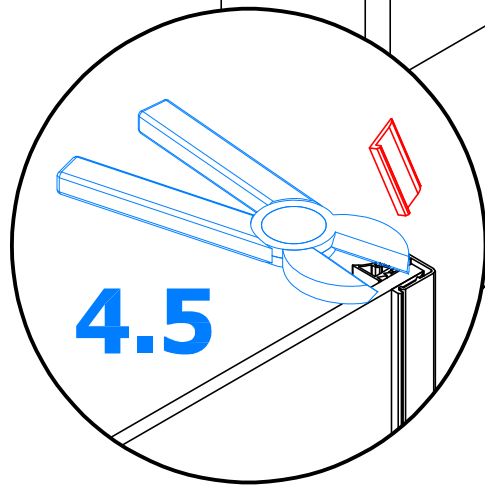
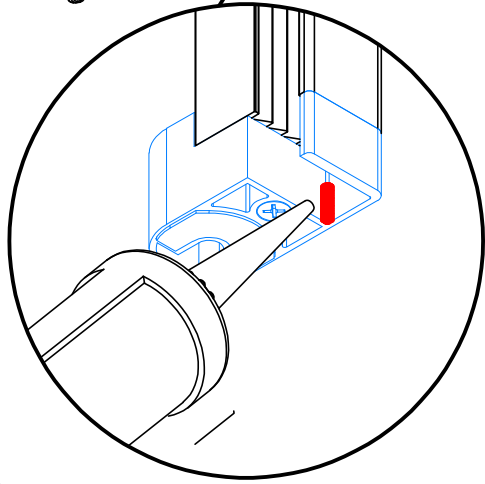


4.1

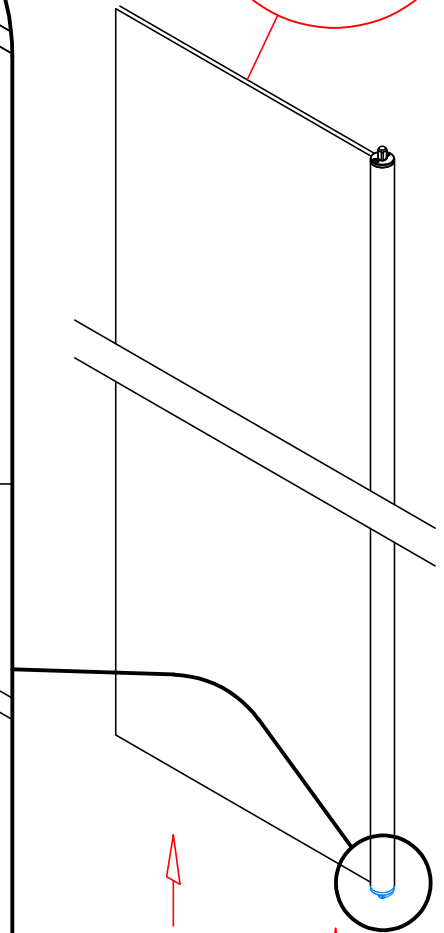
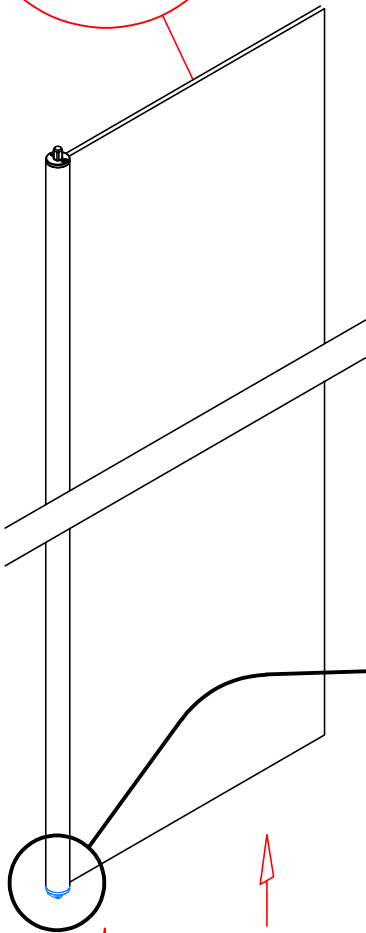
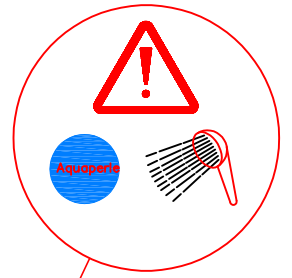
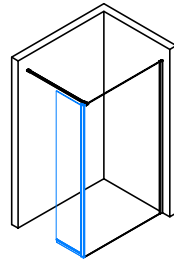
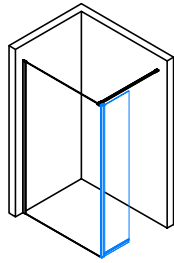


4.3

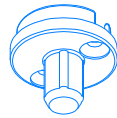
4.4



**5.1 → 5.2**



81148

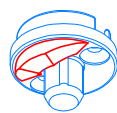


2X 14007

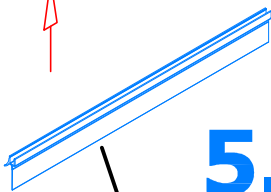


**5.1**

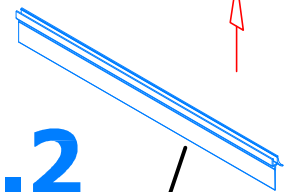
81149



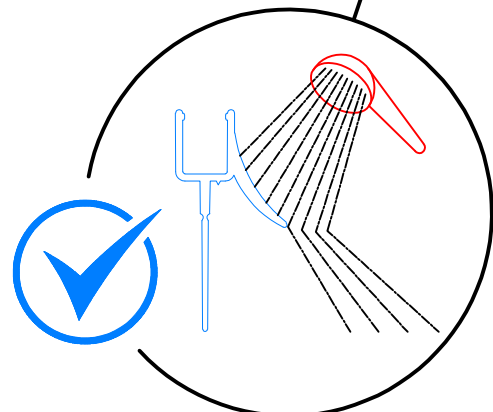
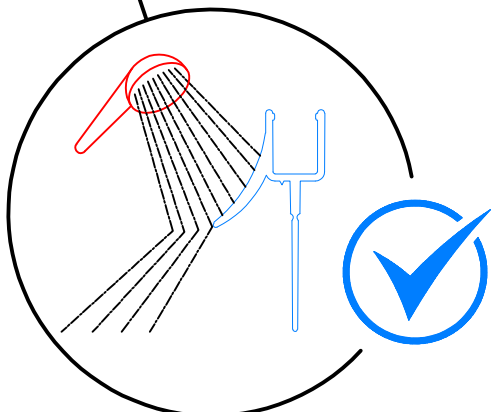
2X 14007



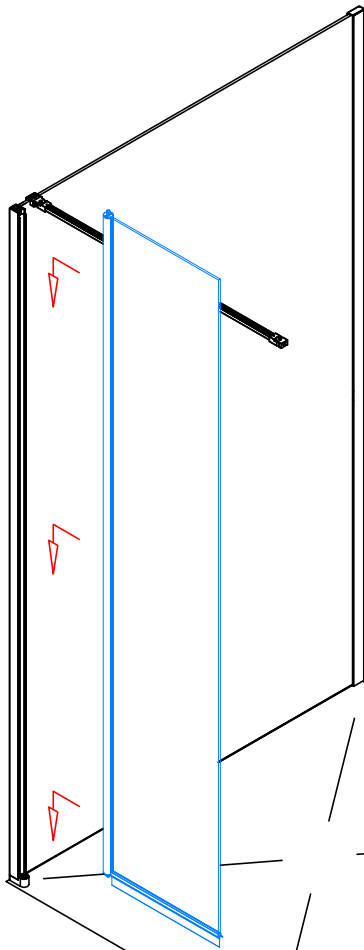
**5.2**



**5.2**

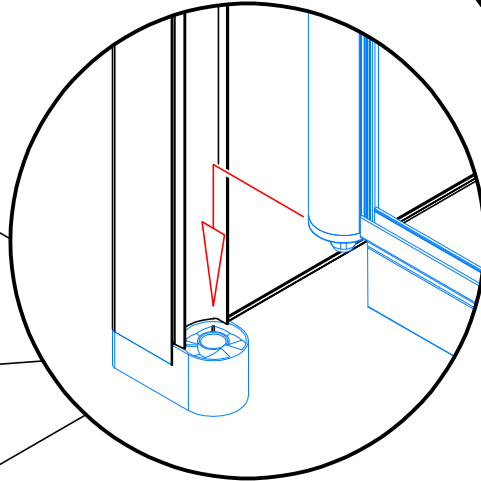
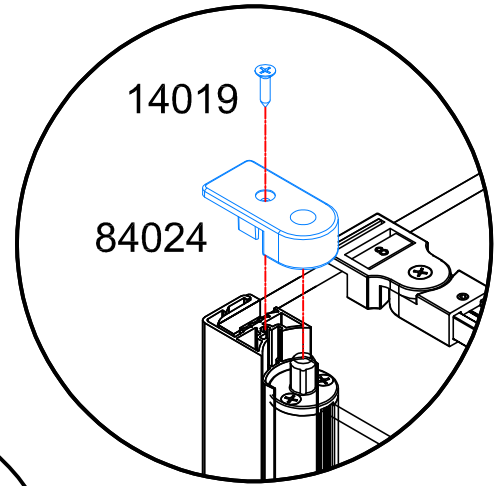


6.1 → 6.2

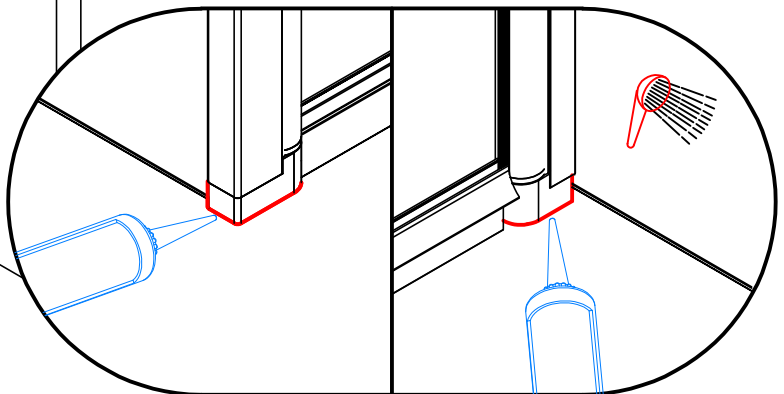
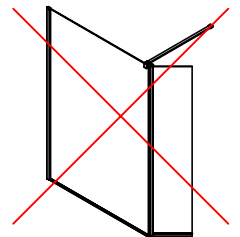
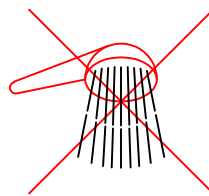
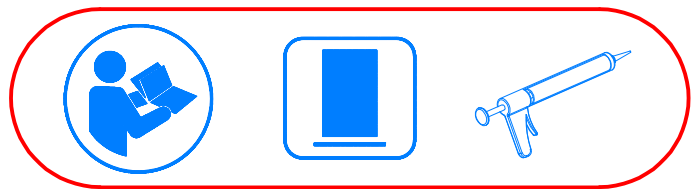
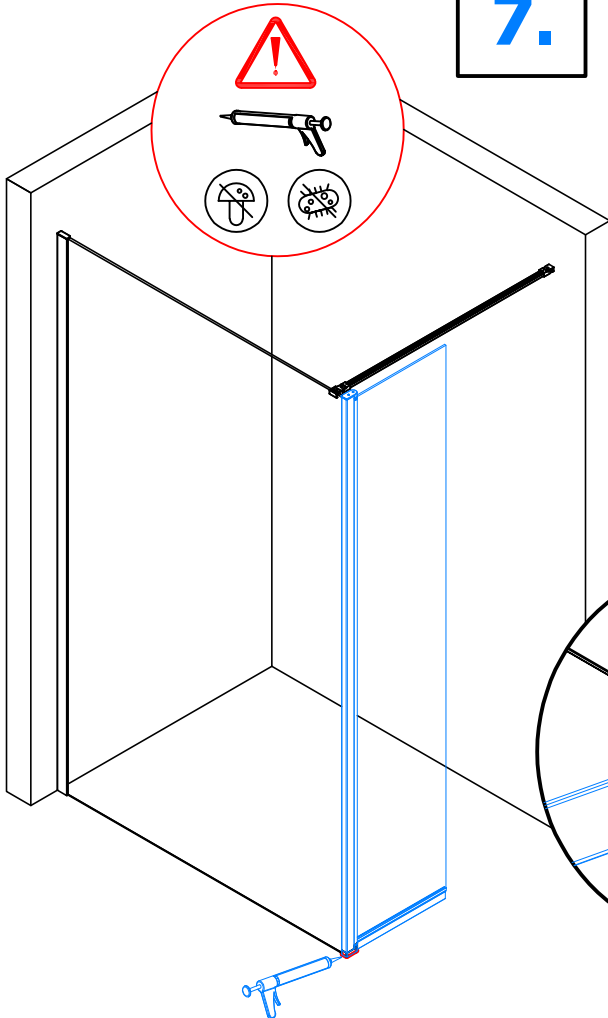


6.1

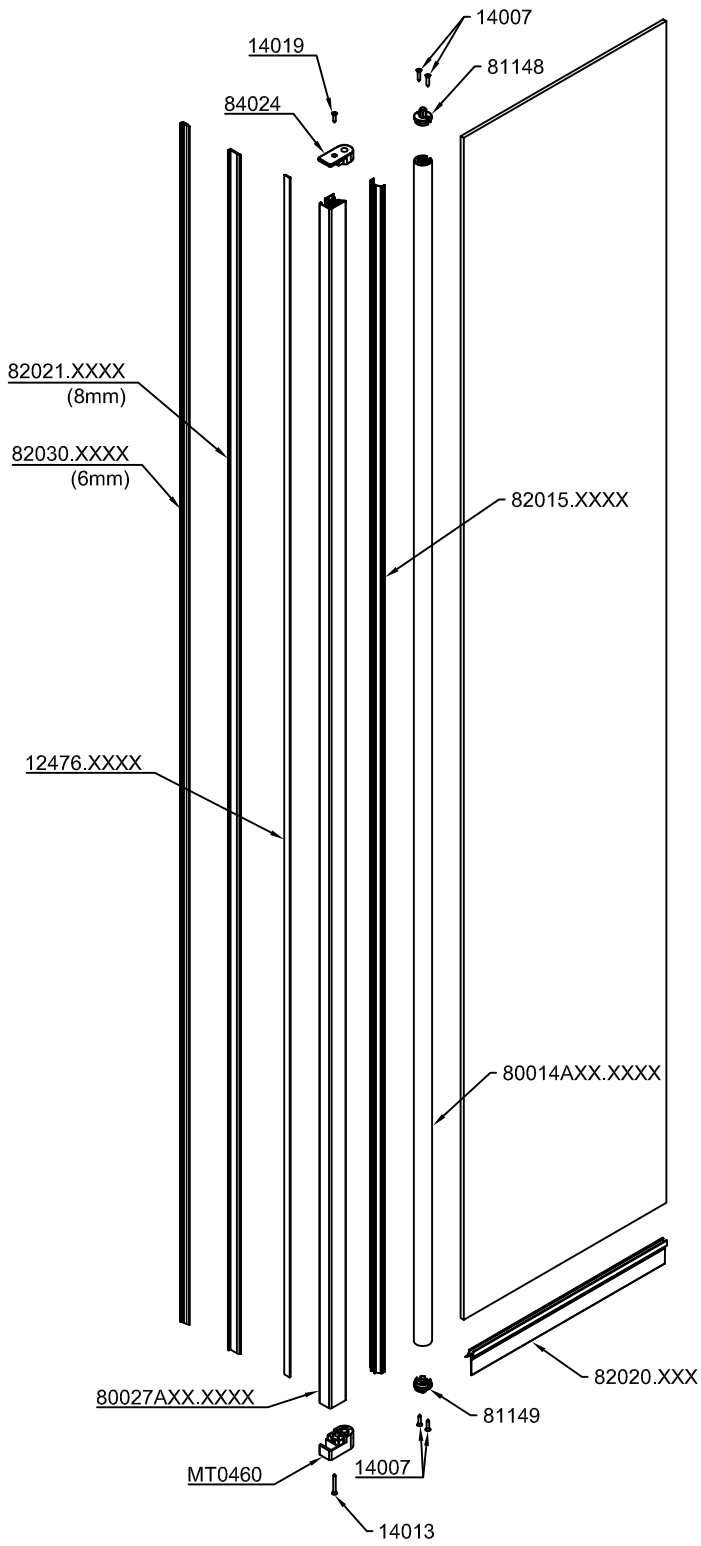
6.2



7.



# BTE2L



# BTE2R

