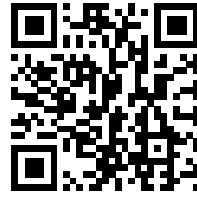
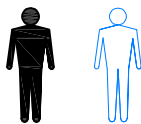
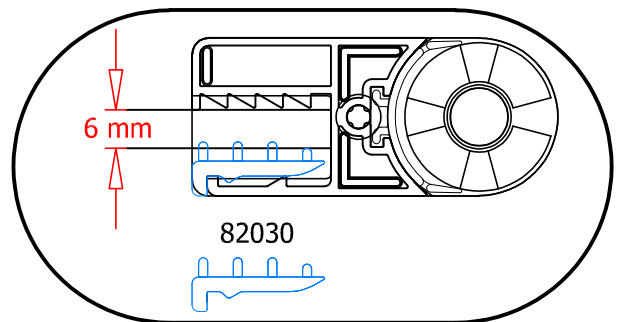
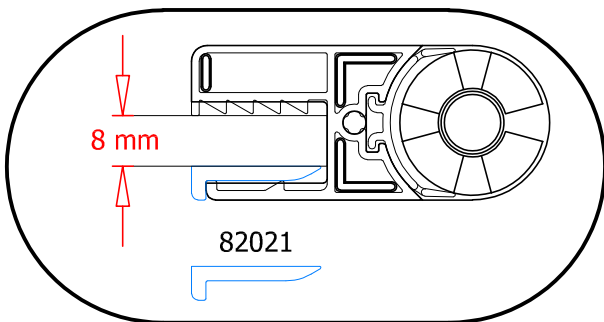
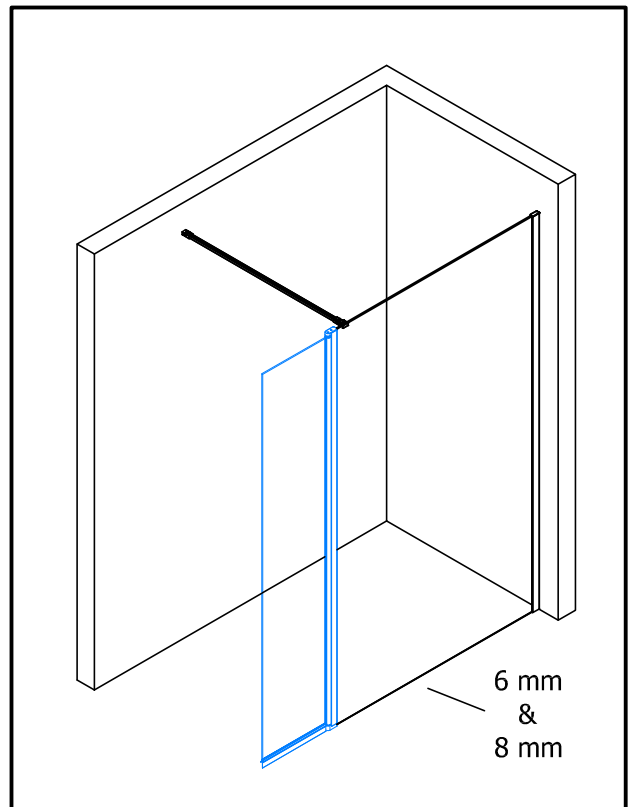
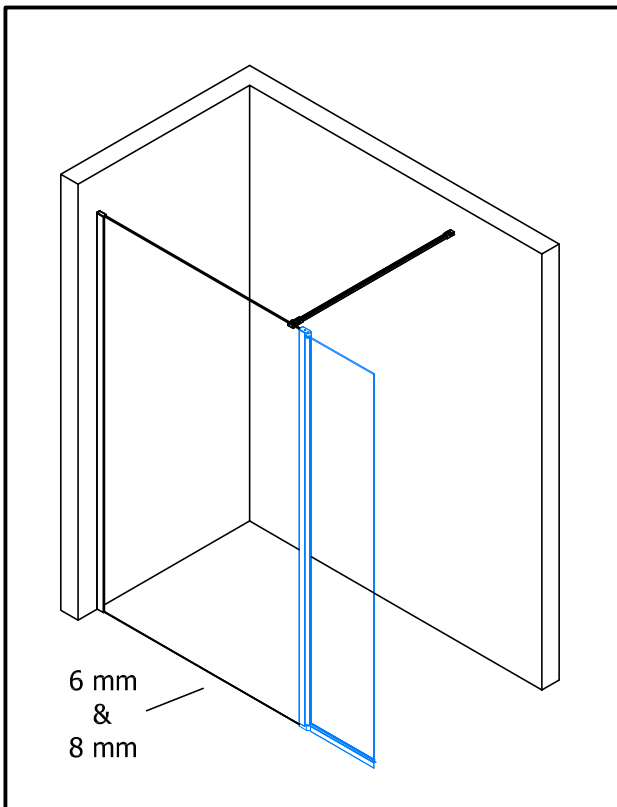


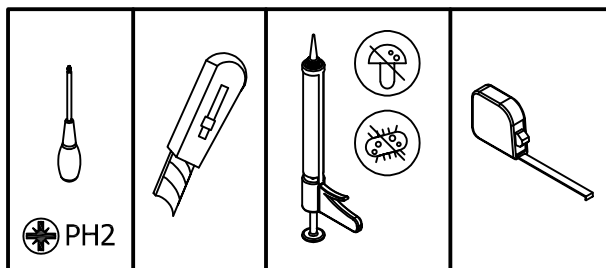
19789

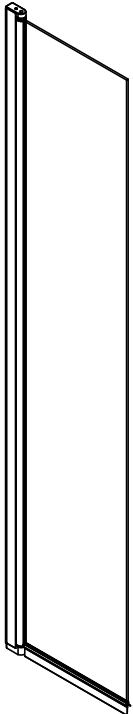
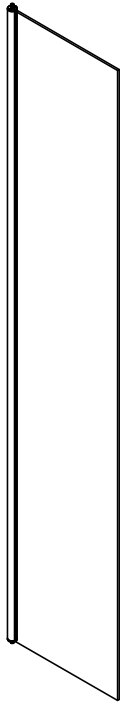





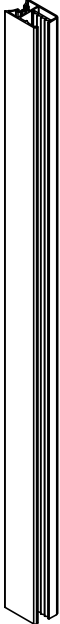





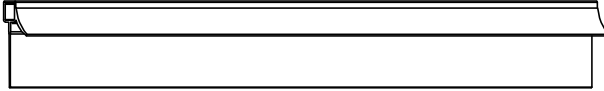




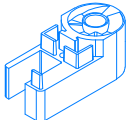
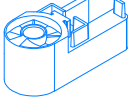



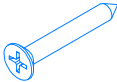
BTE3



1x

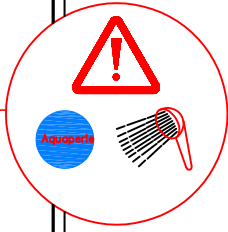


	80028AXX.XXXX	82030.XXXX	82021.XXXX	12476.XXXX	82015.XXXX		
							
							
		82020.XXX					

				
	1 x 81149.XX	1 x MT0461.XX	1 x MT0462.XX	1 x 84027.XX
				
1 x 32101	1 x 14019 3.5 X 16	1 x 14013 3.5 X 32		

1.1

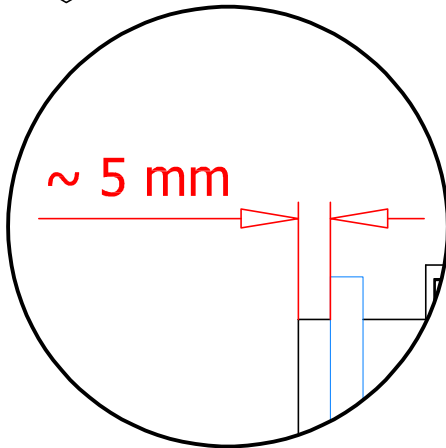
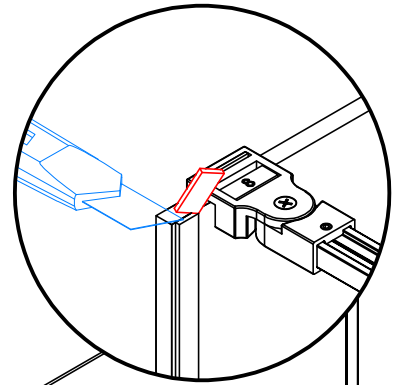
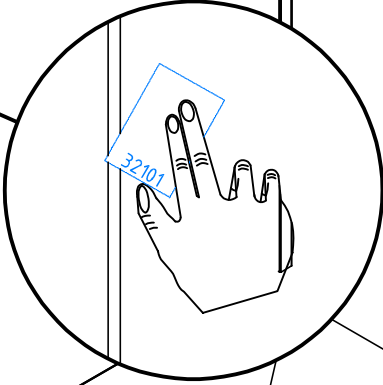
1.1 → 1.4



1.2

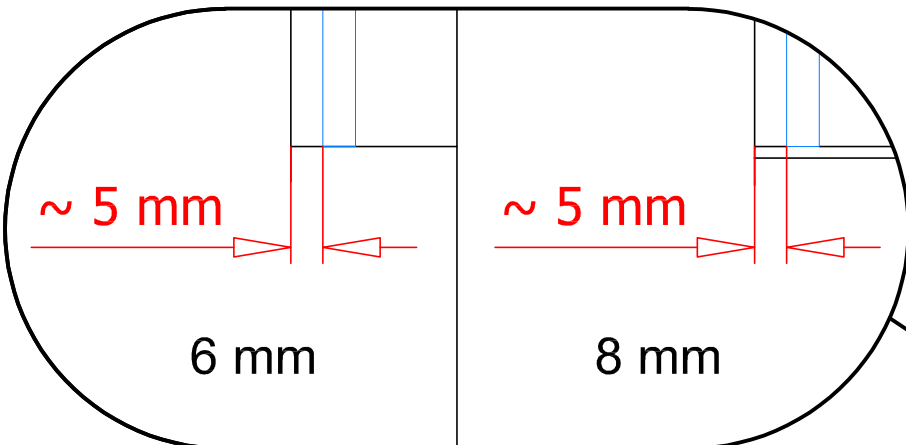
12476

1.4



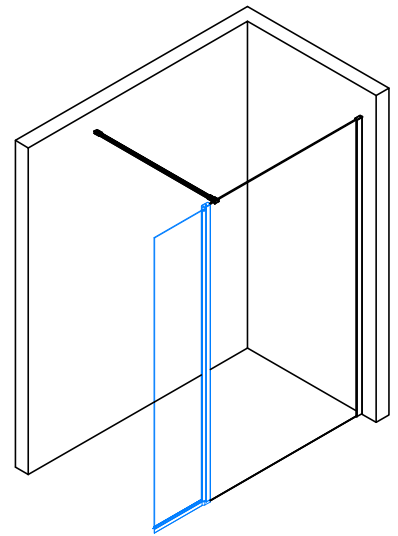
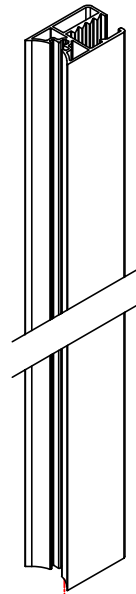
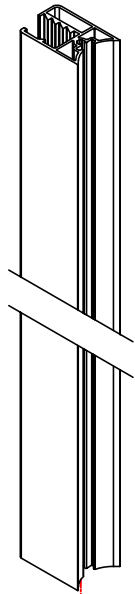
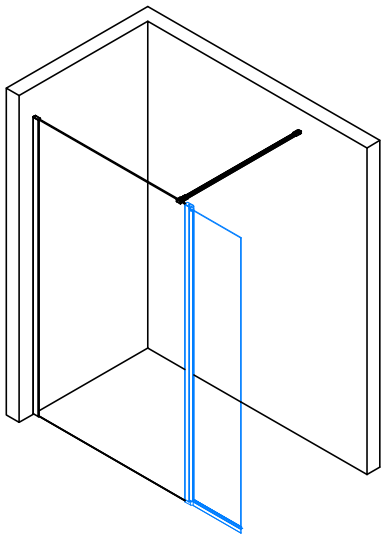
1.3

12476

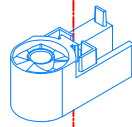
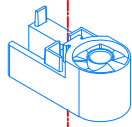


80028AXX.XXXX

2.



MT0462



MT0461

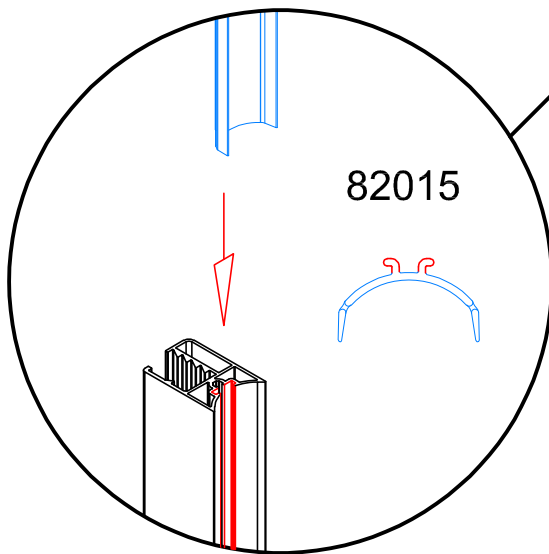
14013



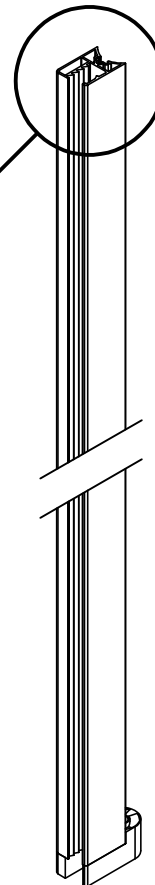
14013



3.

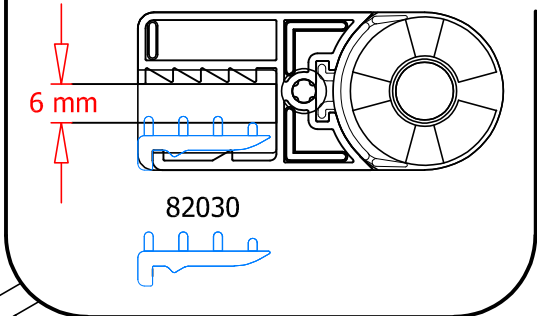
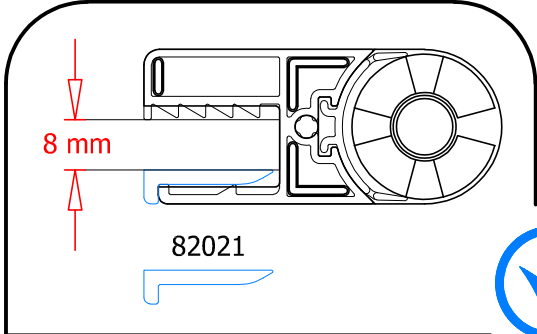
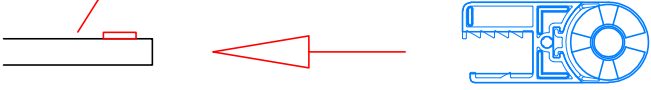
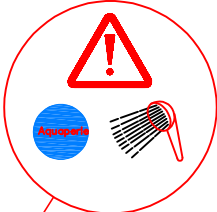
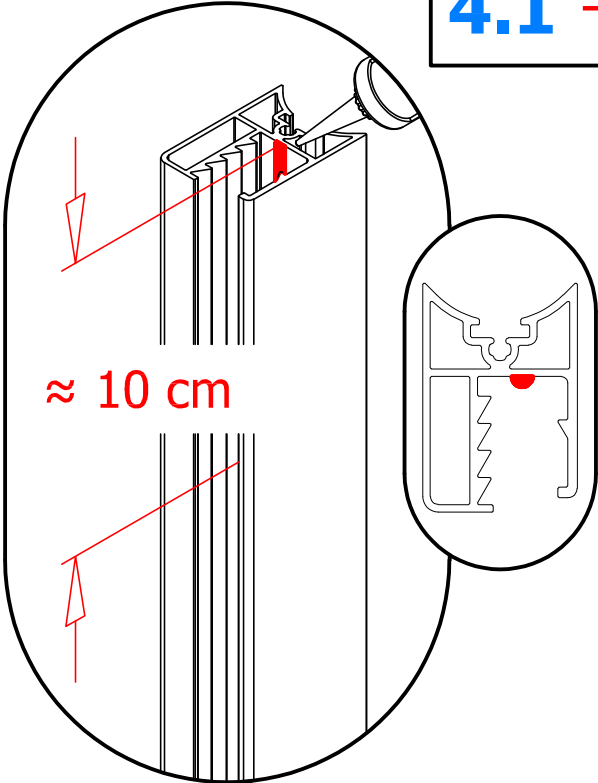


82015

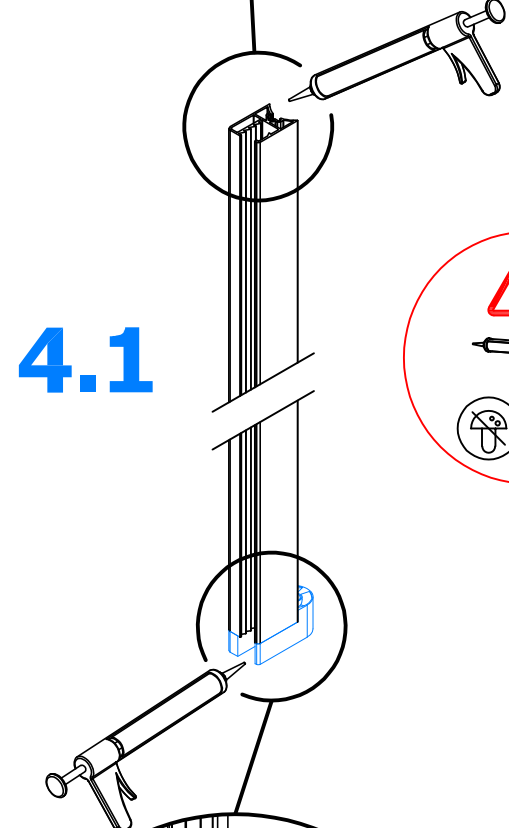
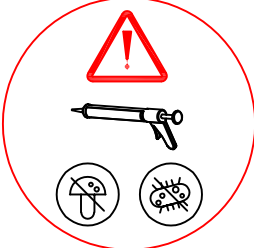


4.1 → 4.5

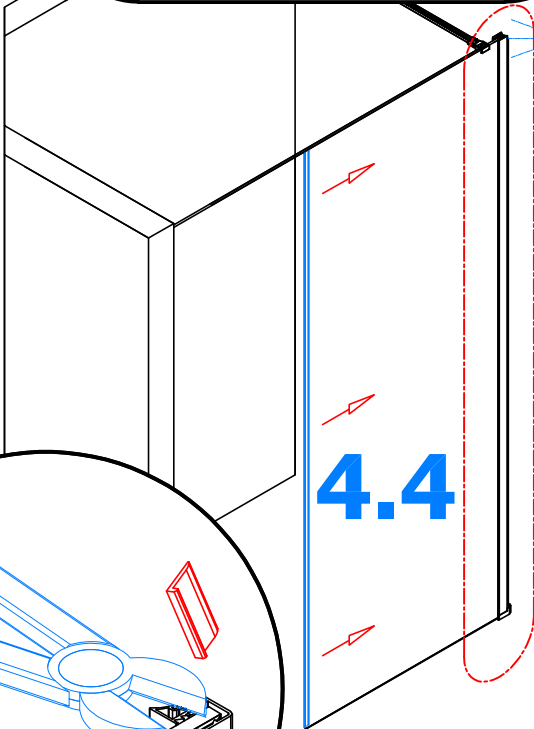
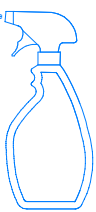
4.2



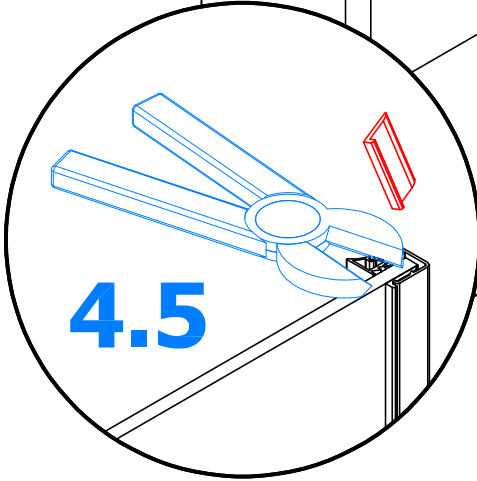
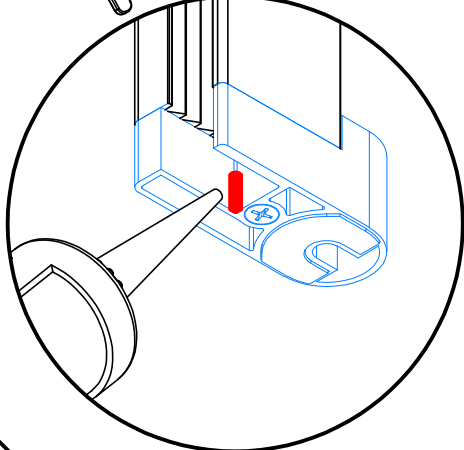
4.1



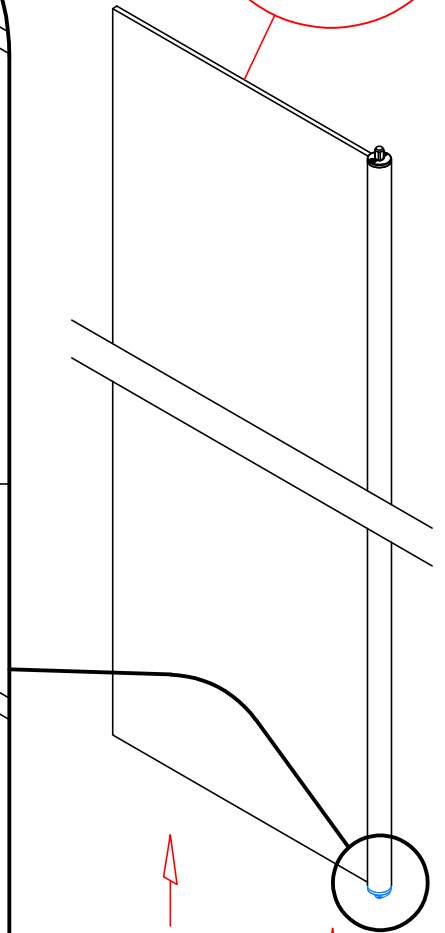
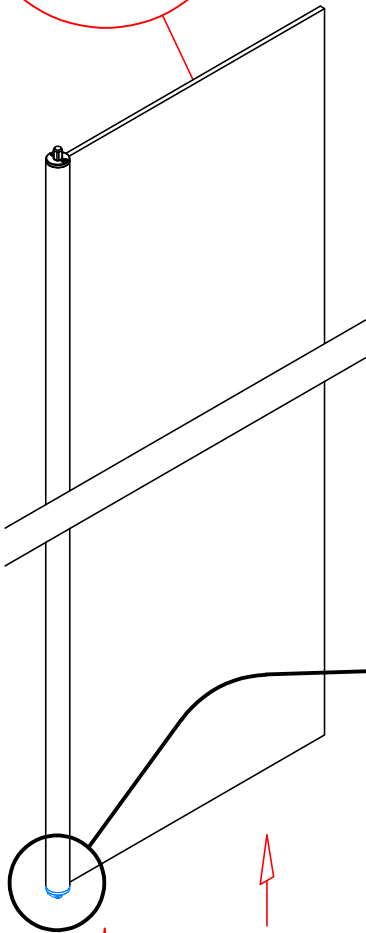
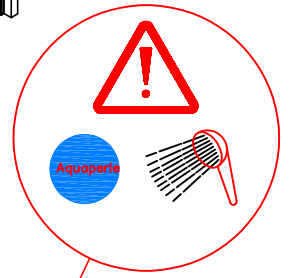
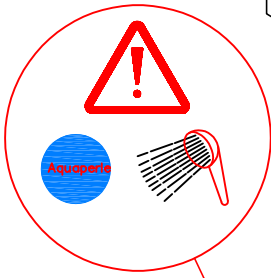
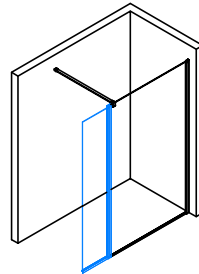
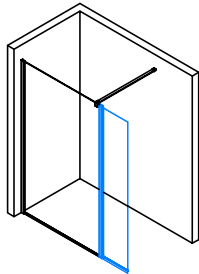
4.3



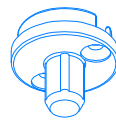
4.4



5.1 → 5.2



81148

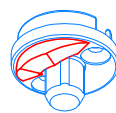


2X 14007

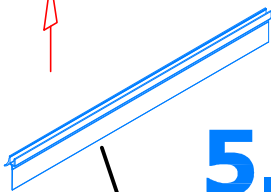


5.1

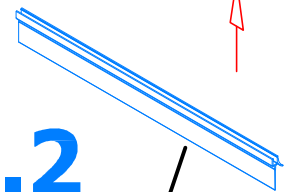
81149



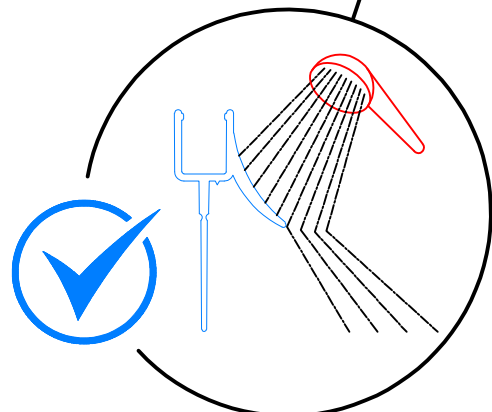
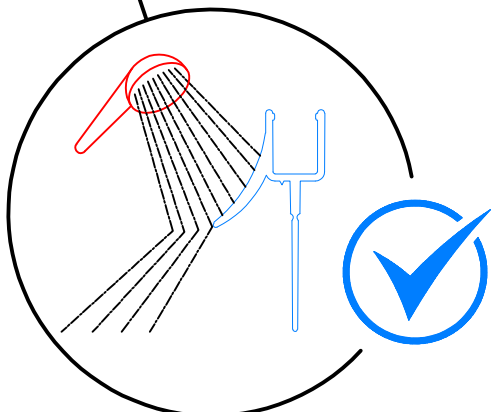
2X 14007



5.2

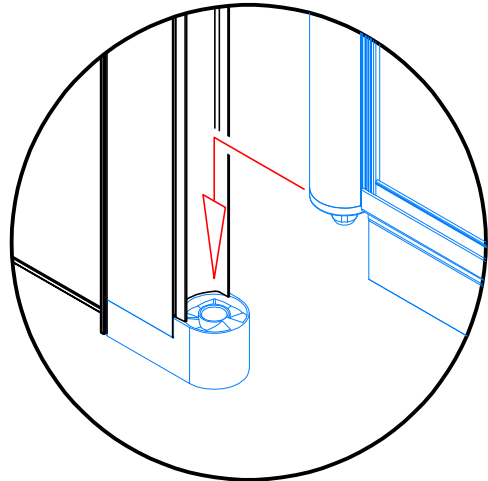
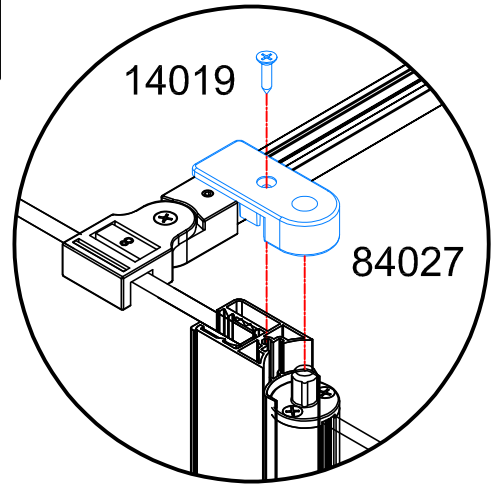


5.2



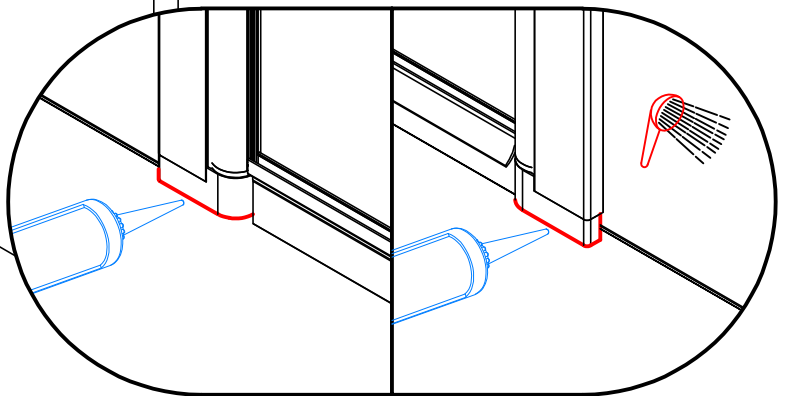
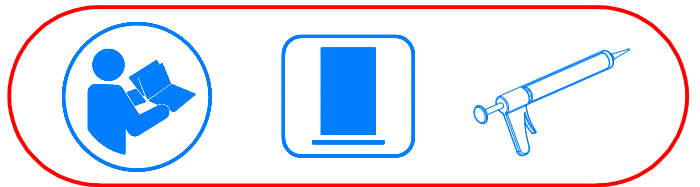
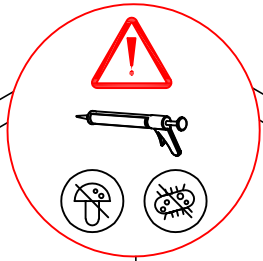
6.1 → 6.2

6.2

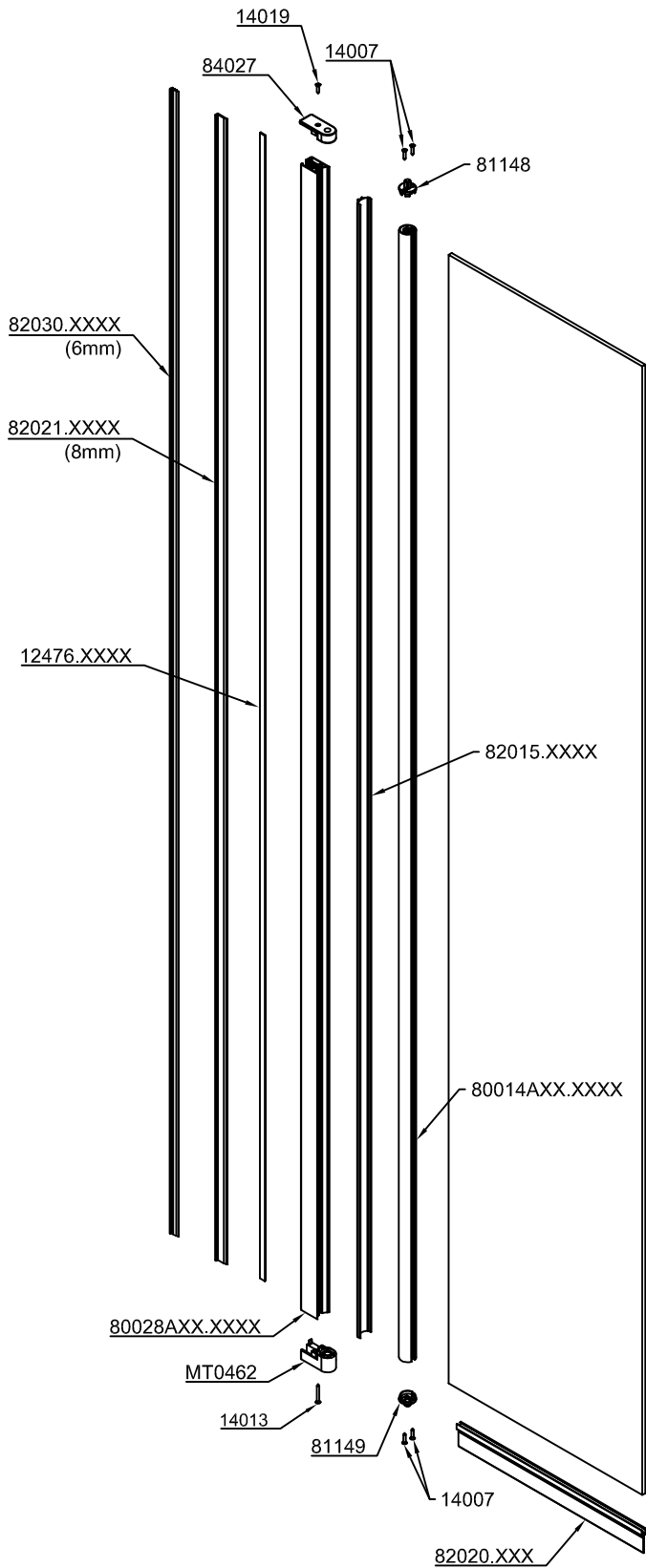


6.1

7.



BTE3L



BTE3R

