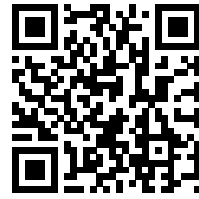
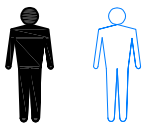
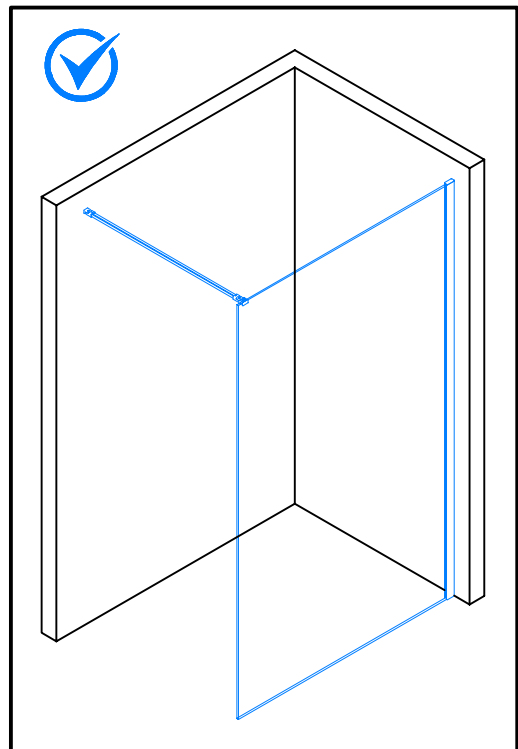
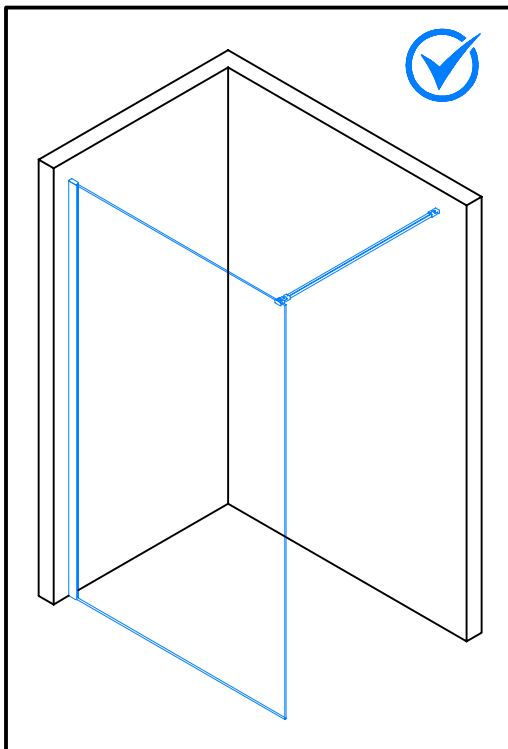
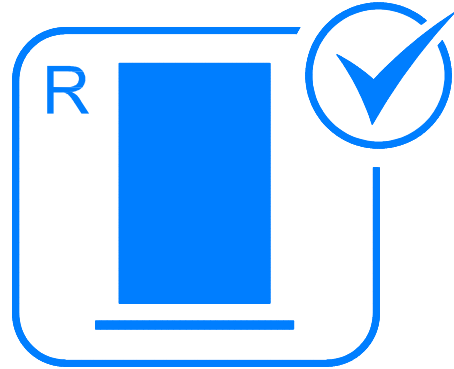
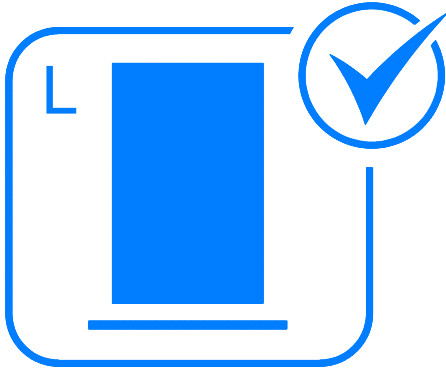


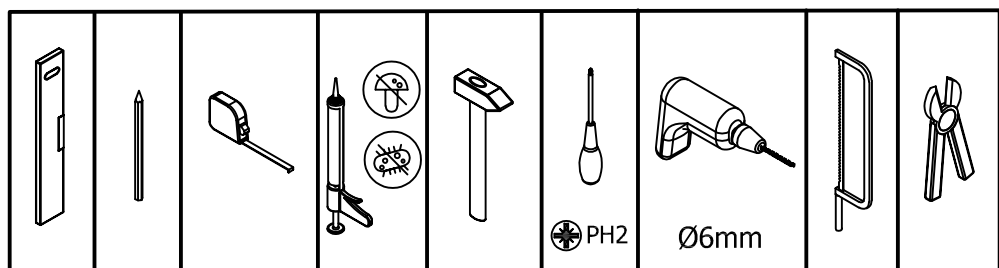
19910



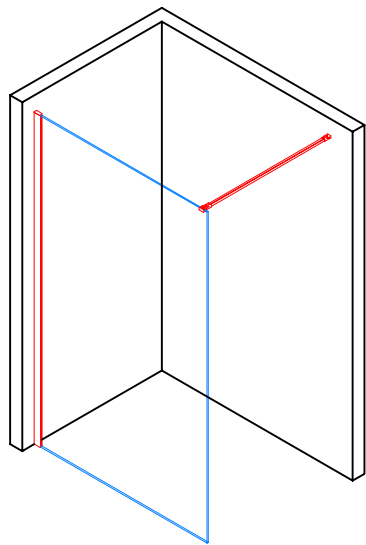
D40



1x

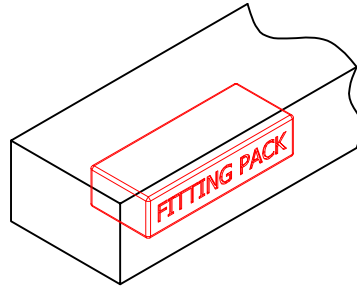


1.



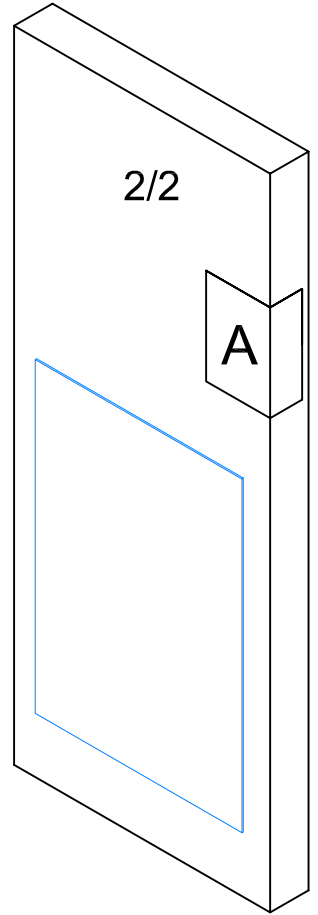
1/2

=



+

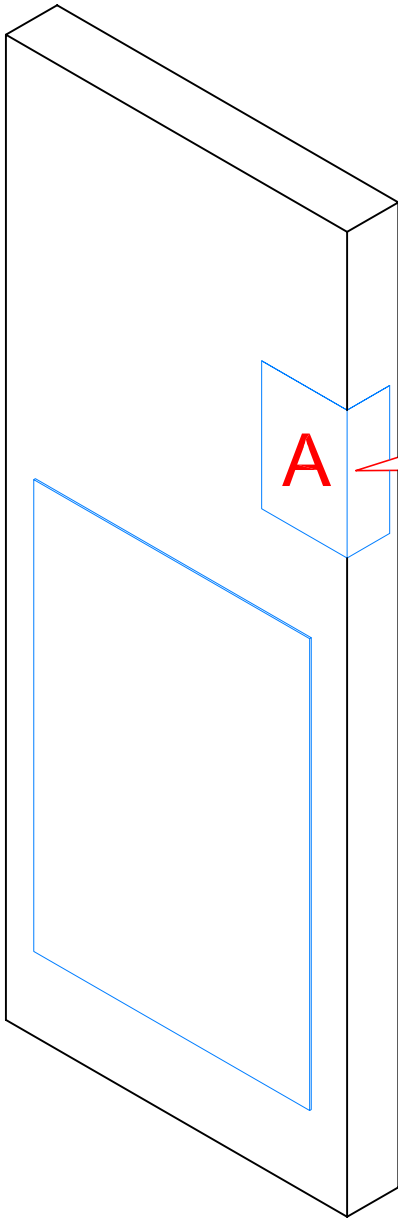
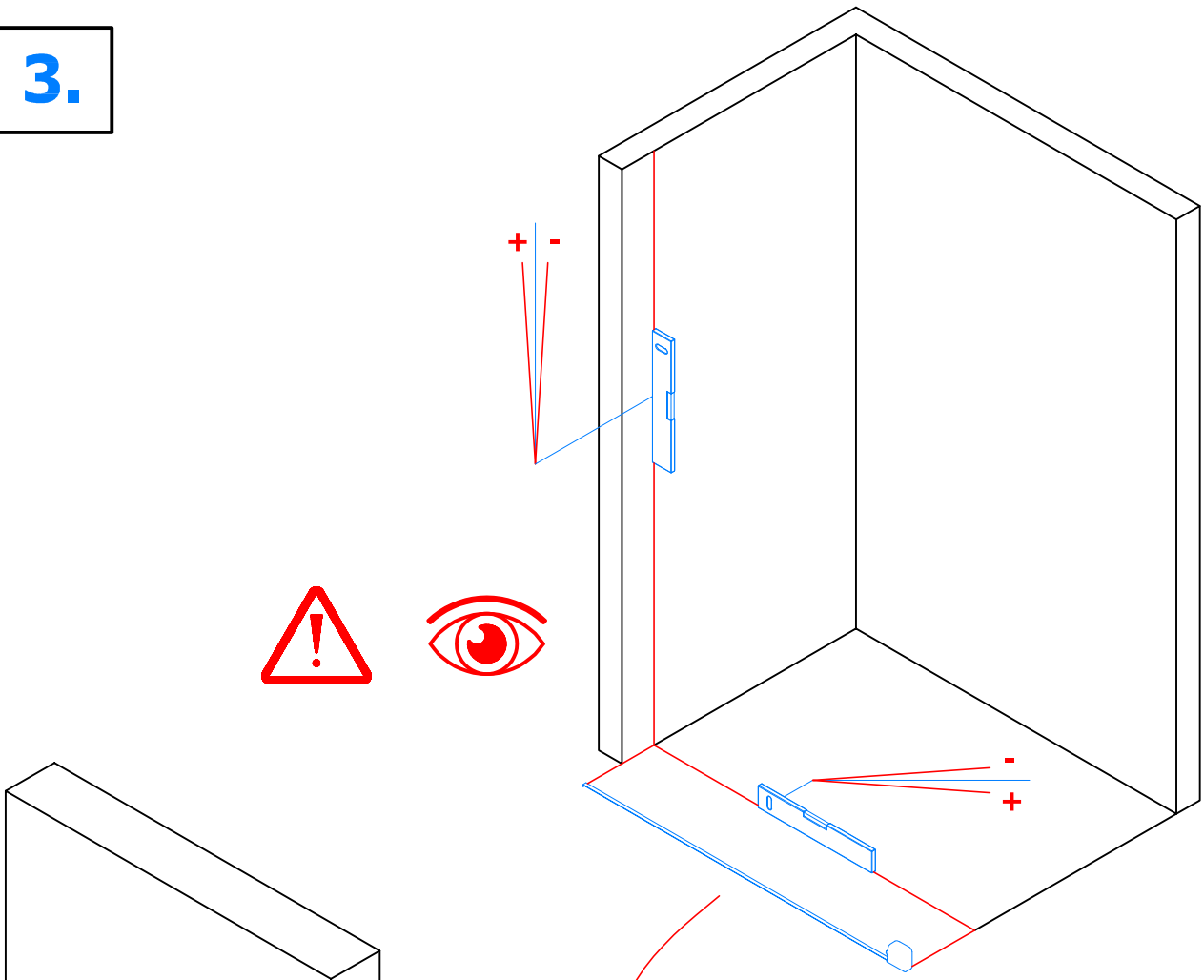
2/2



2.

	1x 50322F1XX.XXXX 	 1x 81190.XX	 1x 81191.XX	 1x 31107
		 1x 11221	 4x 14295 4.2 x 32mm	 4x 16000 Ø 6mm
		 1x 17158 2 mm		
		50504E11XX.XXXX 		

3.

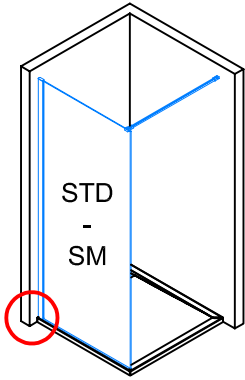


A	
STD	SM
-20 ; +5	-10 ; +15

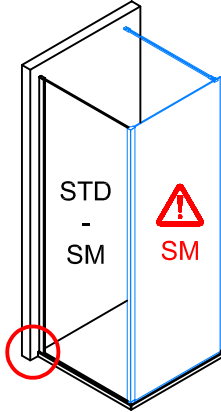
4.



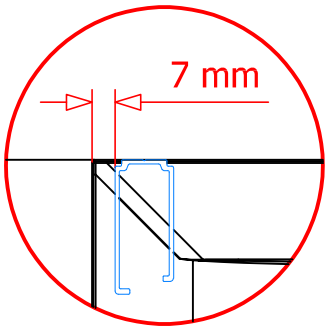
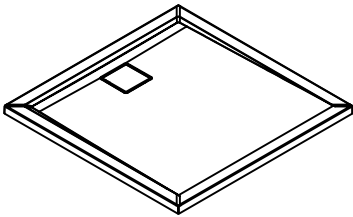
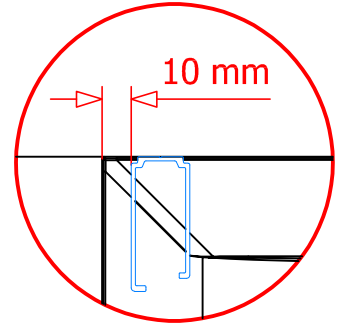
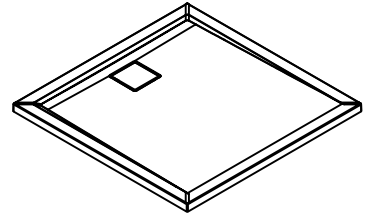
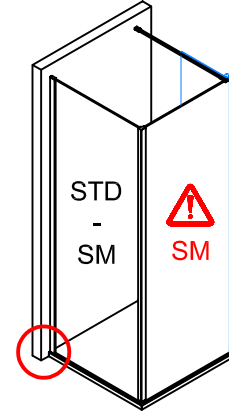
STR4P
STR4P + BTE ✓



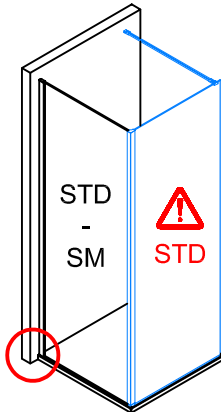
WPE ✓



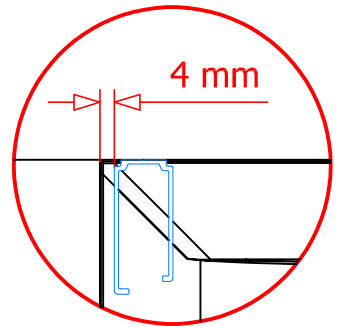
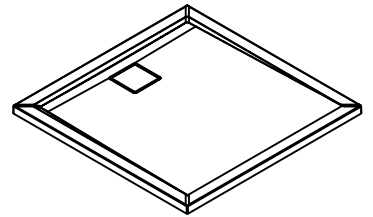
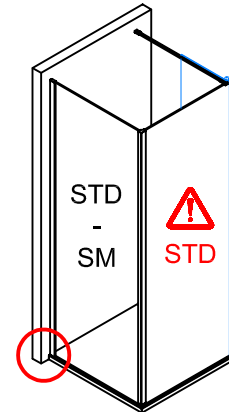
BTE + WPE ✓



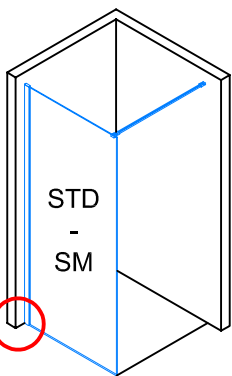
WPE ✓



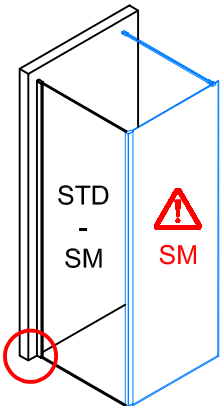
BTE + WPE ✓



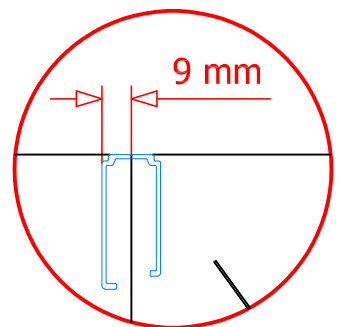
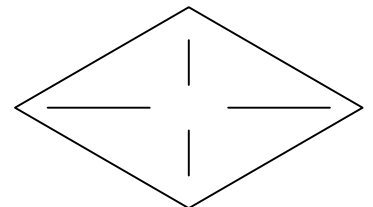
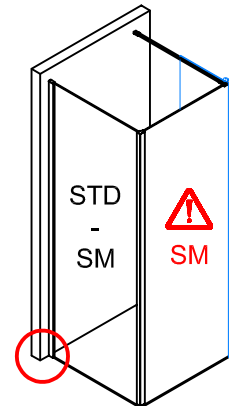
STR4P
STR4P + BTE ✓



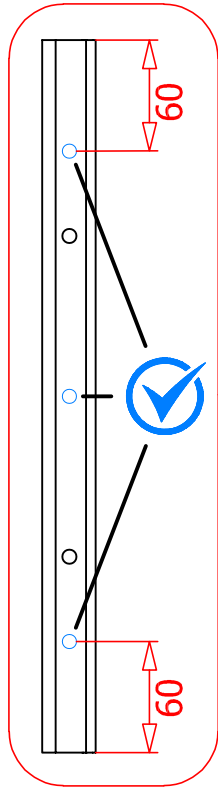
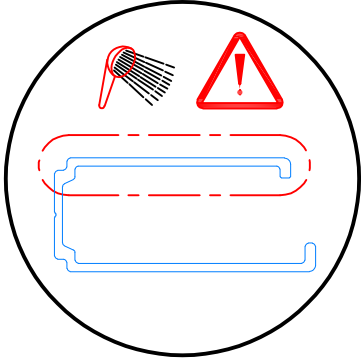
WPE ✓



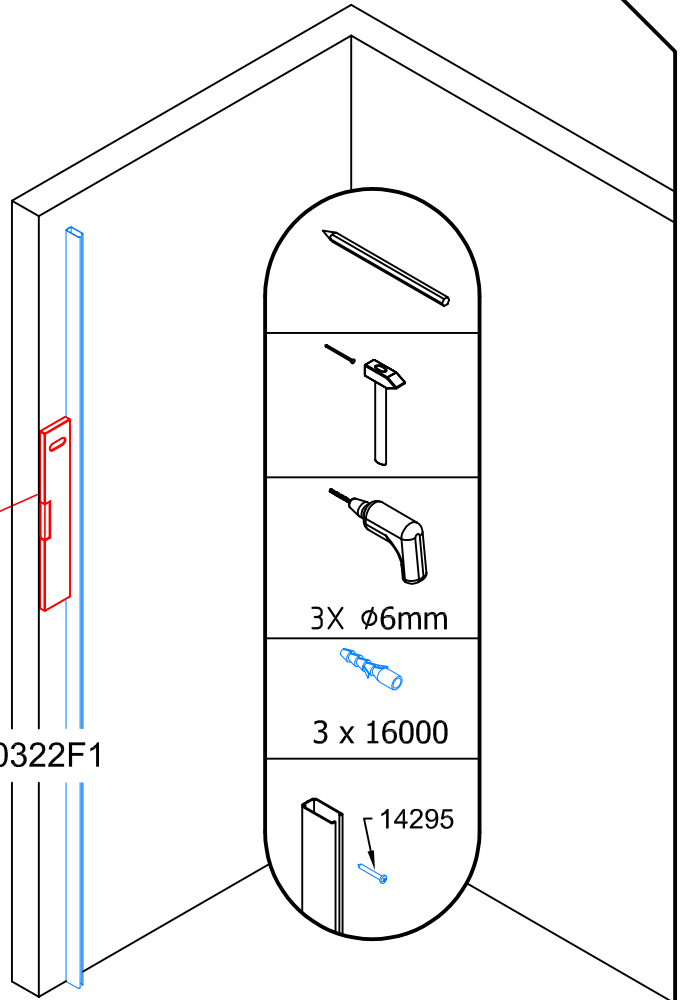
BTE + WPE ✓



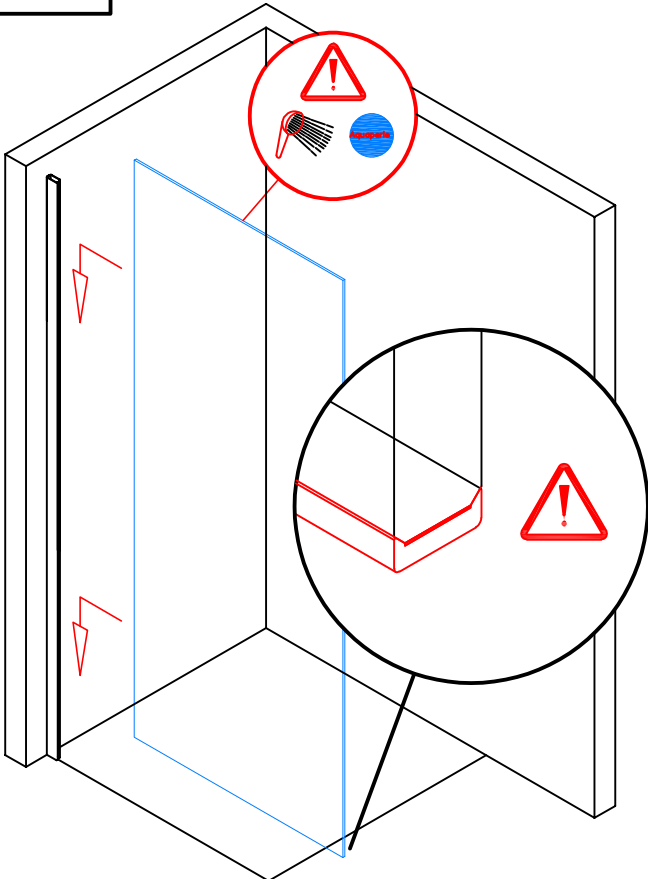
5.



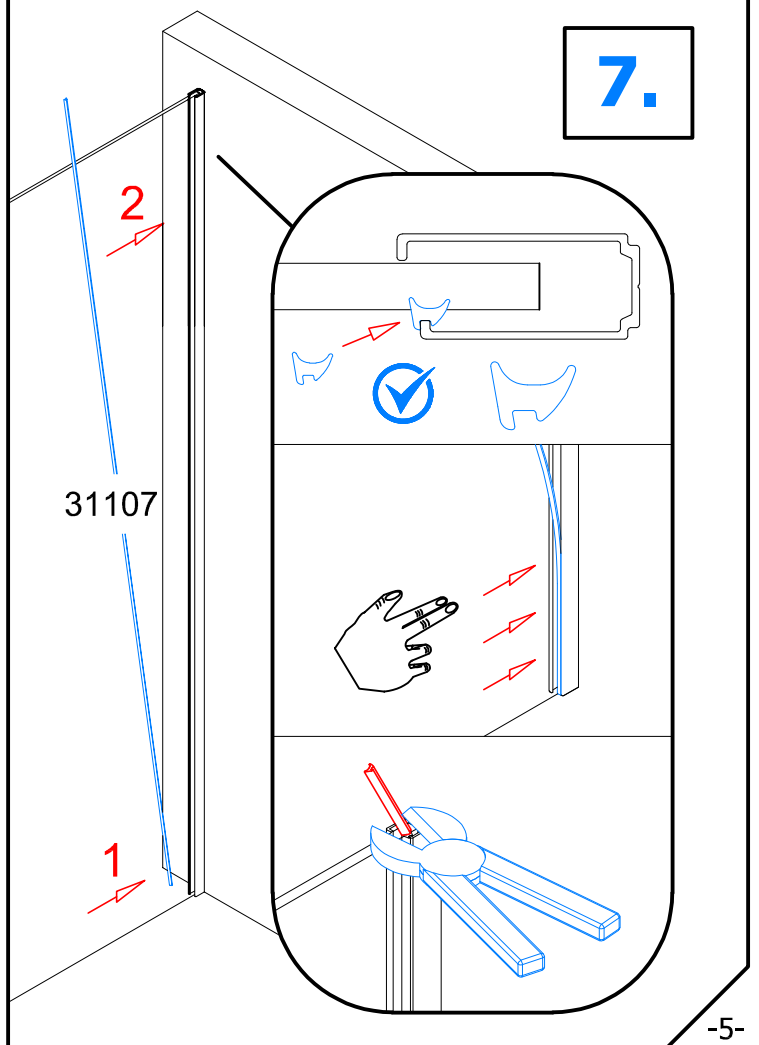
50322F1



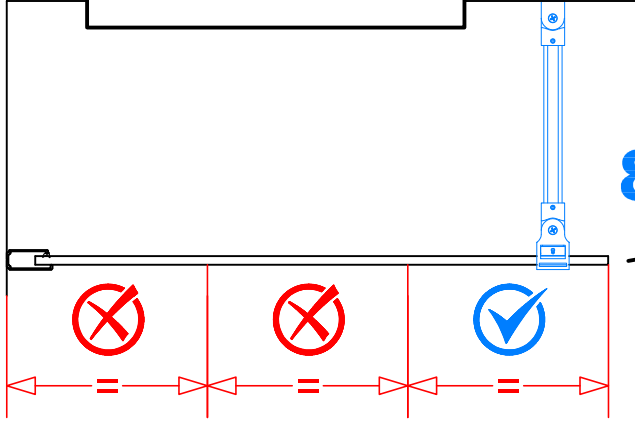
6.



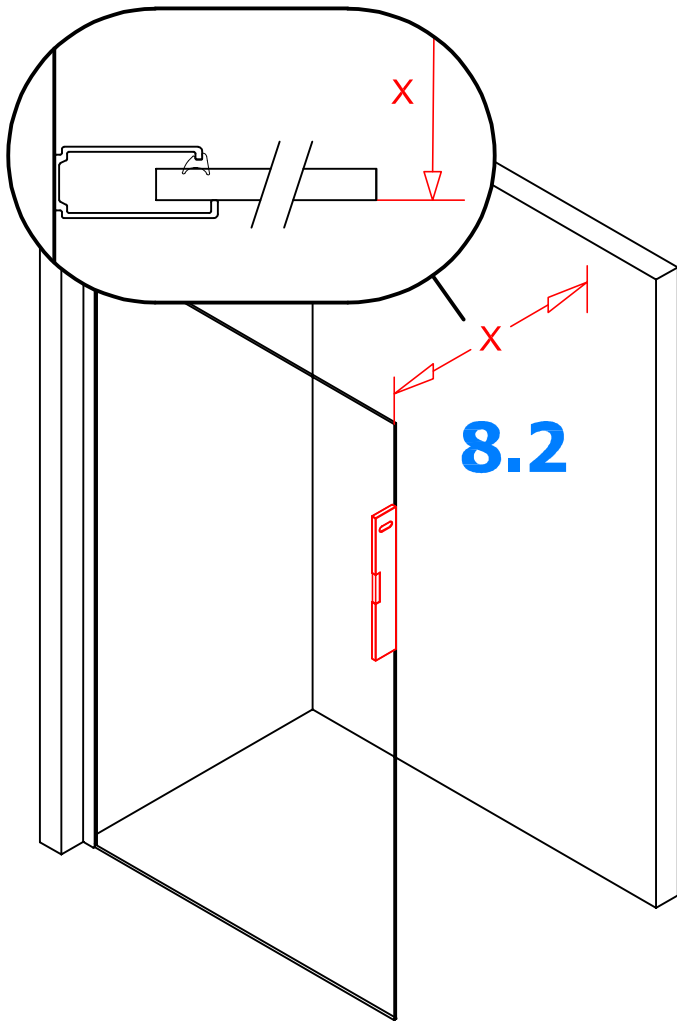
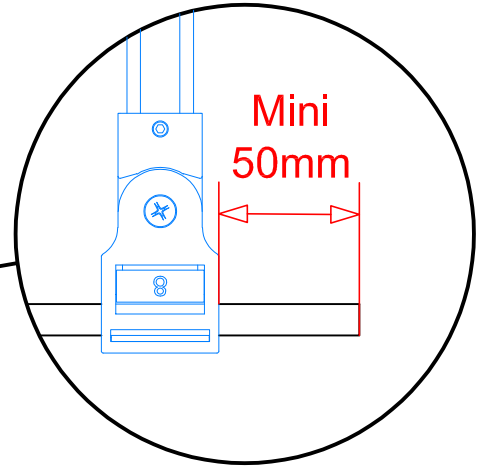
7.



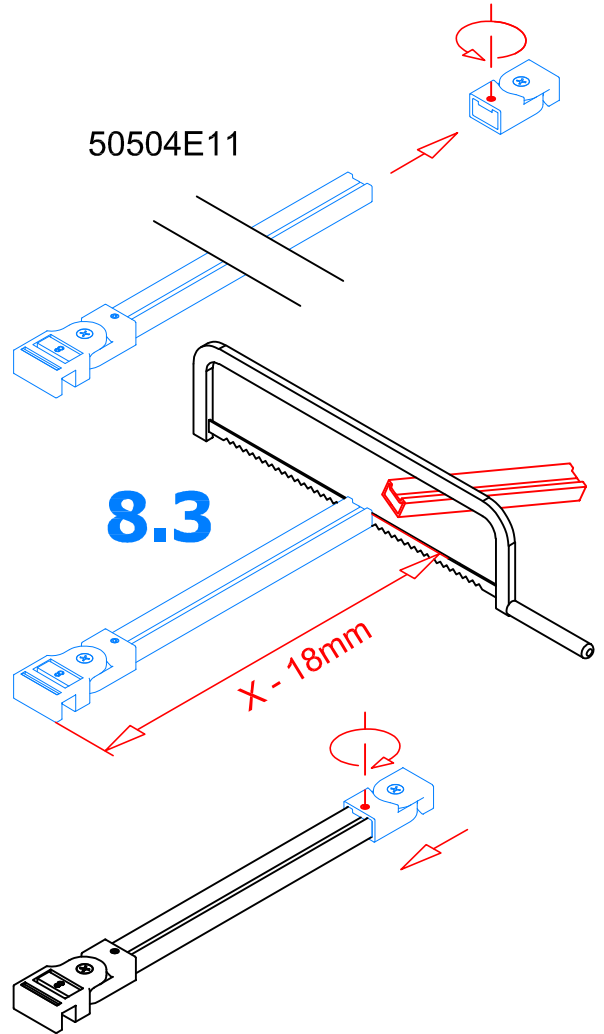
8.1 → 8.3



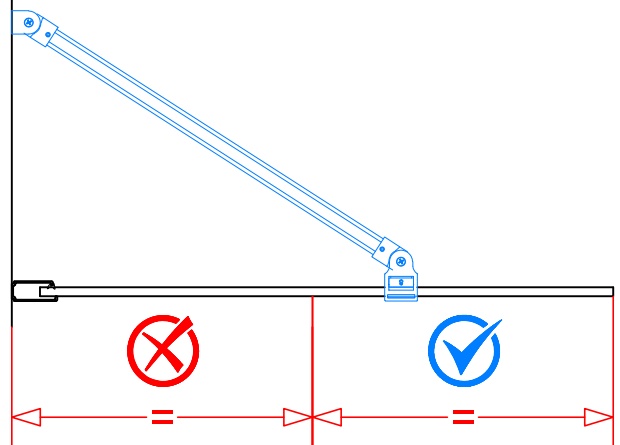
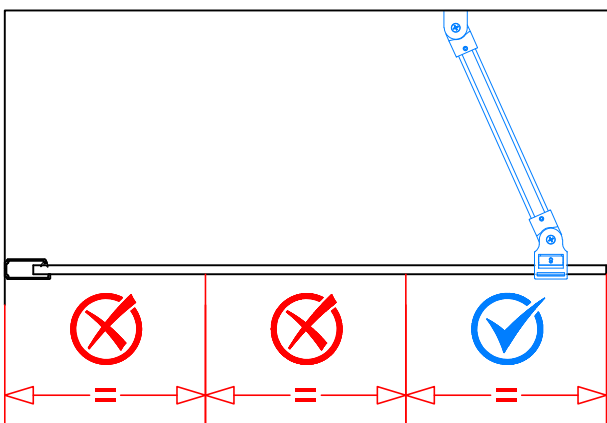
8.1



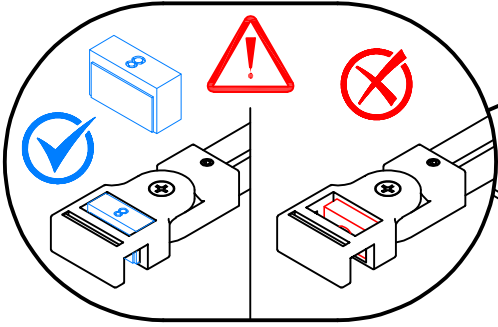
8.2



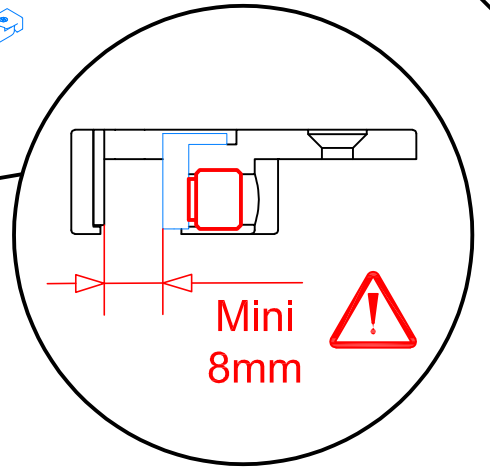
8.3



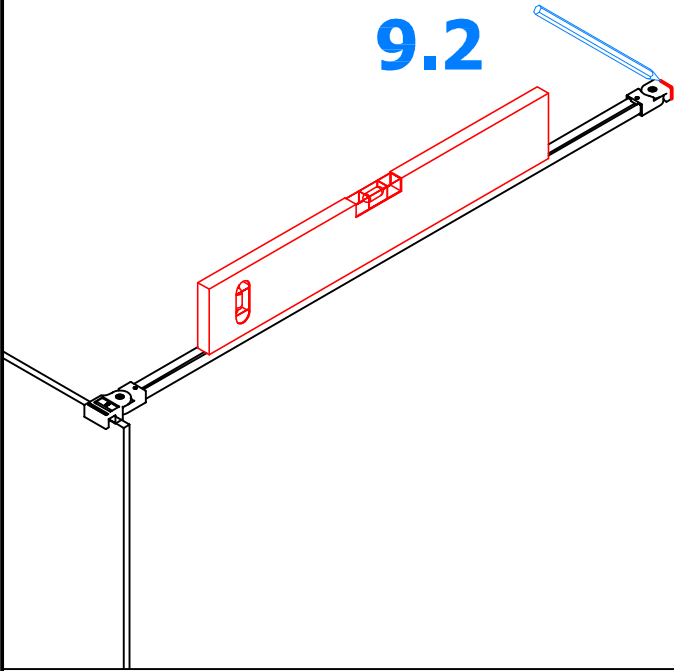
9.1 → 9.5



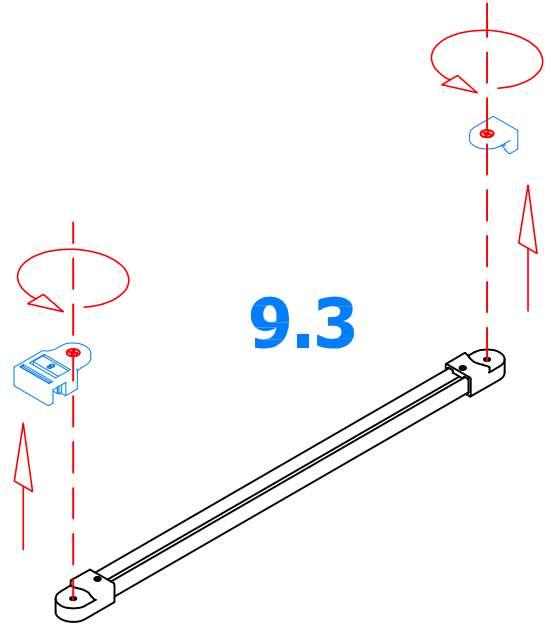
9.1



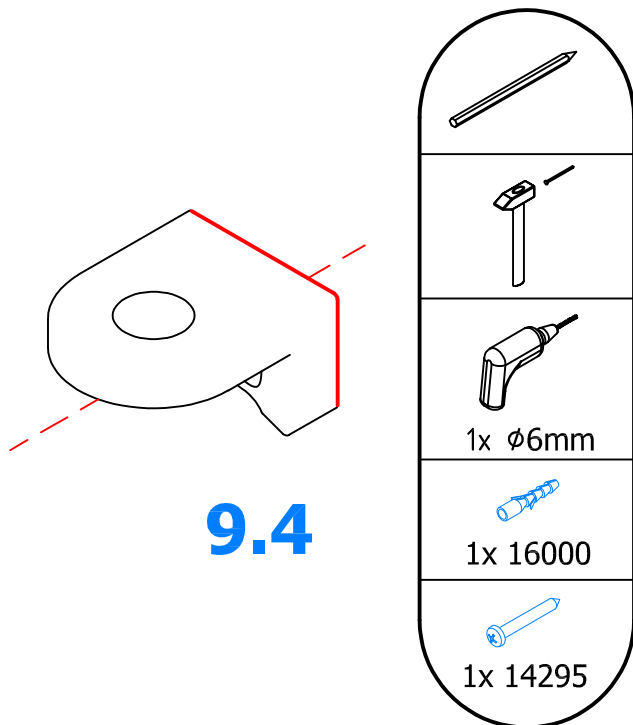
9.2



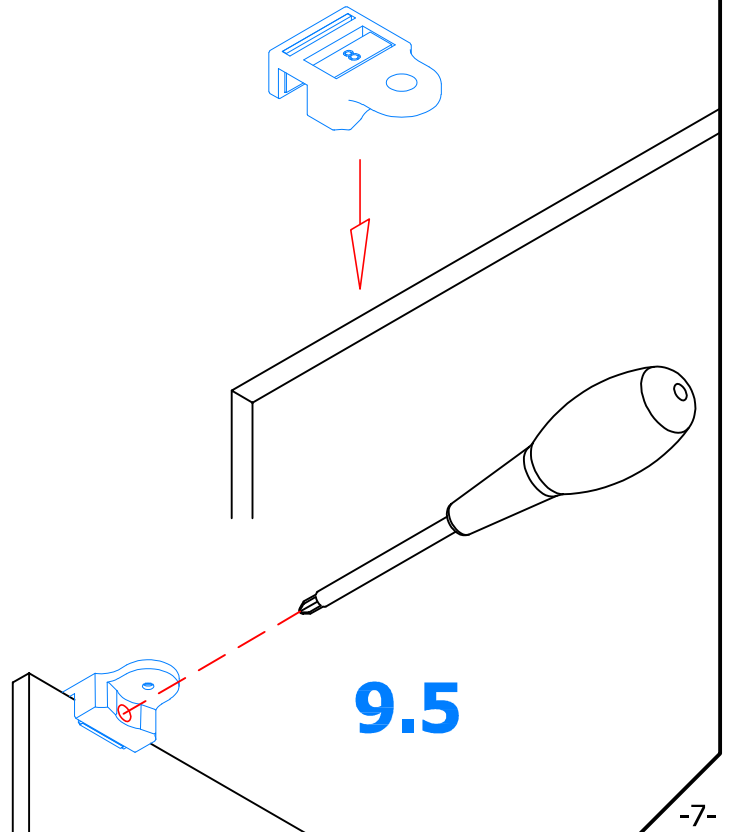
9.3



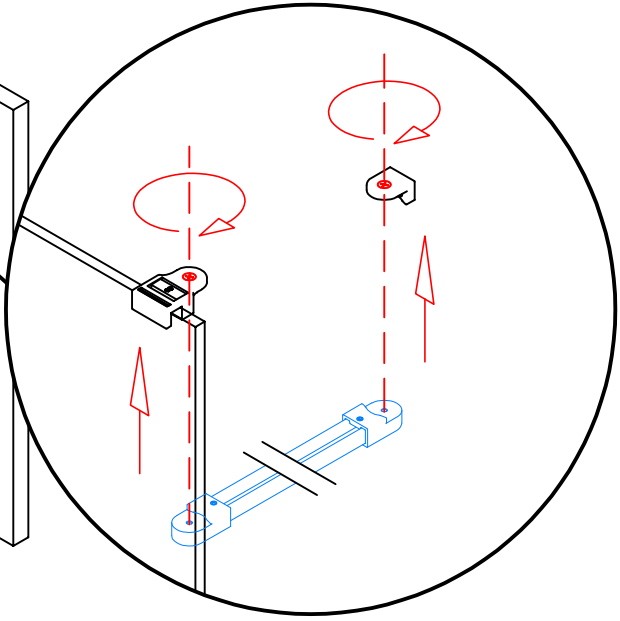
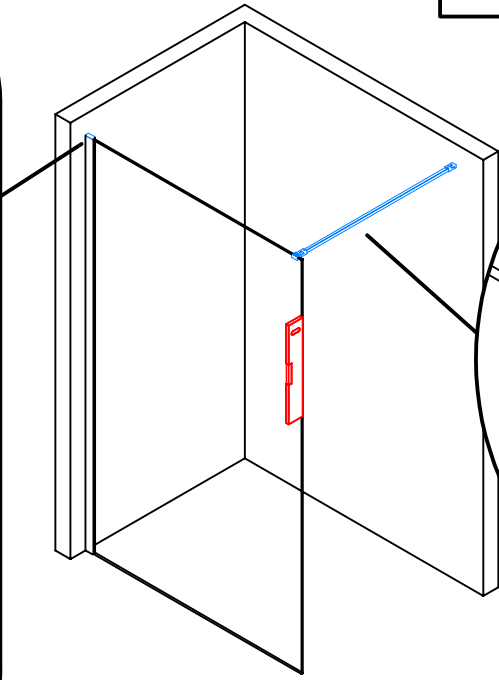
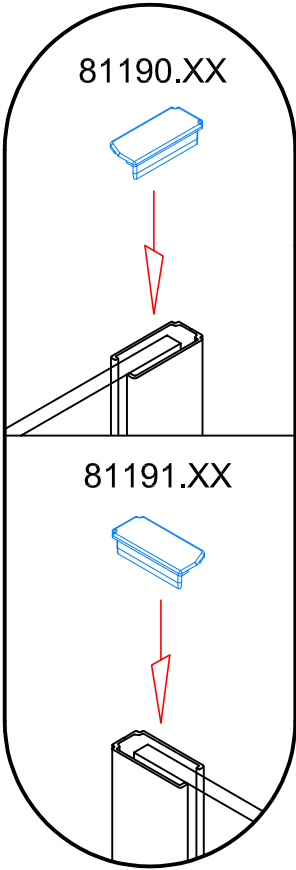
9.4



9.5



10.



11.

