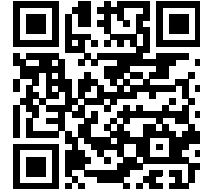
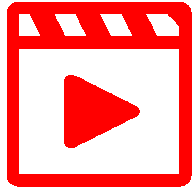
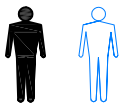
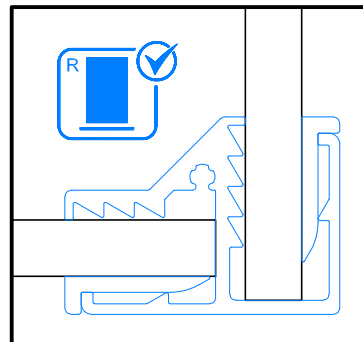
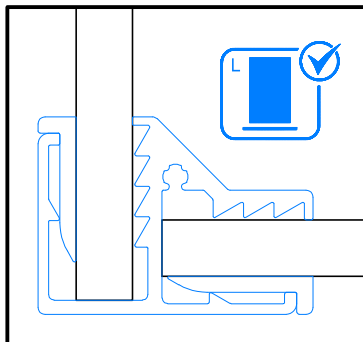
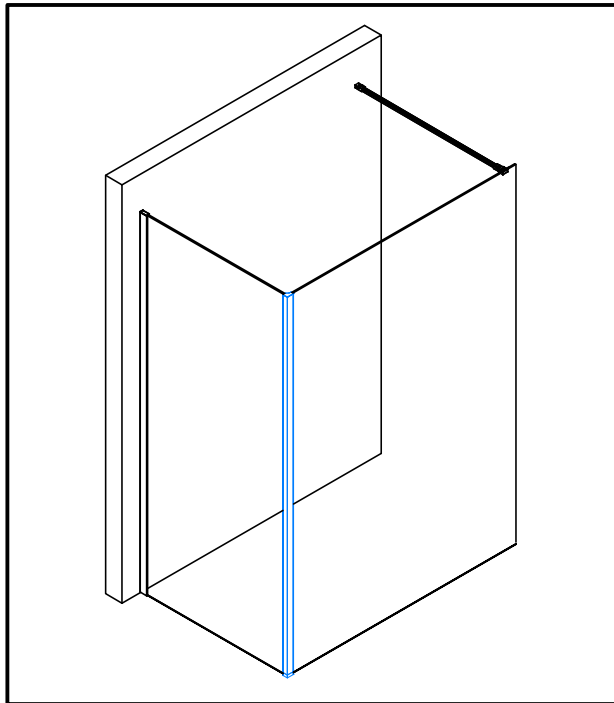


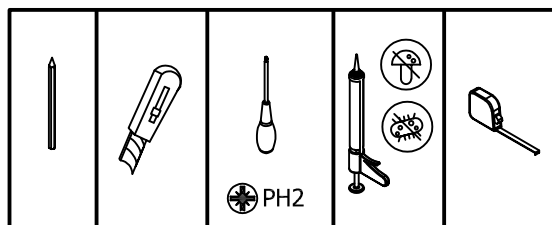
19790



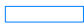










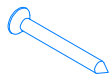

WPE



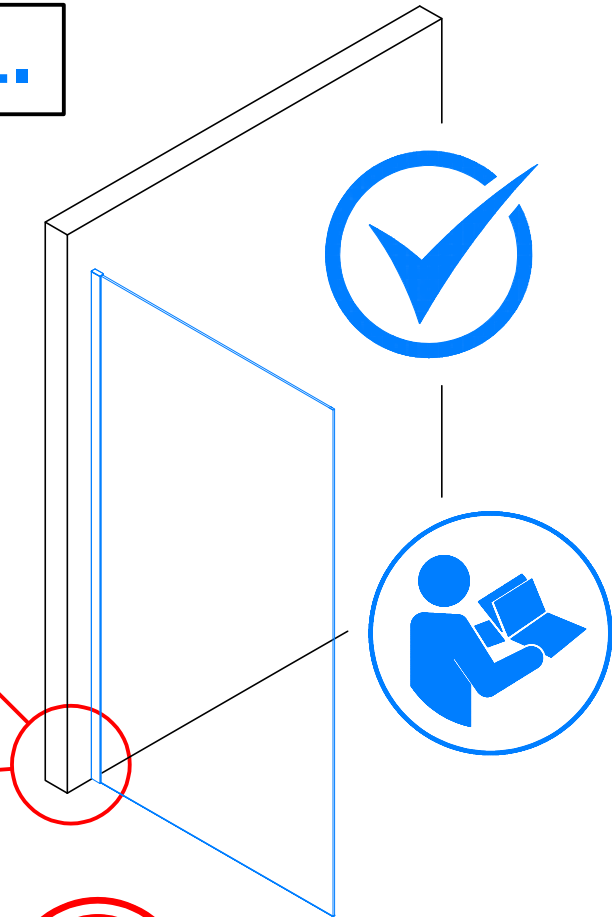
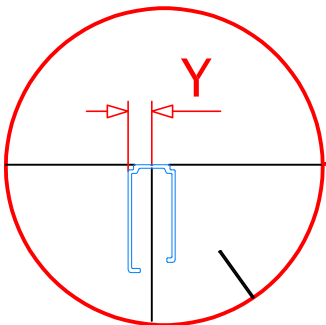
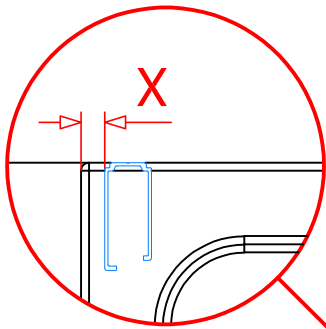
1x



50323AXX.XXXX 	2X 82021.XXXX 	2X 12476.XXXX 
		

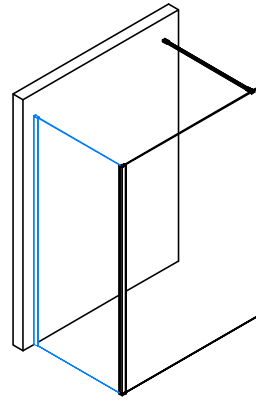
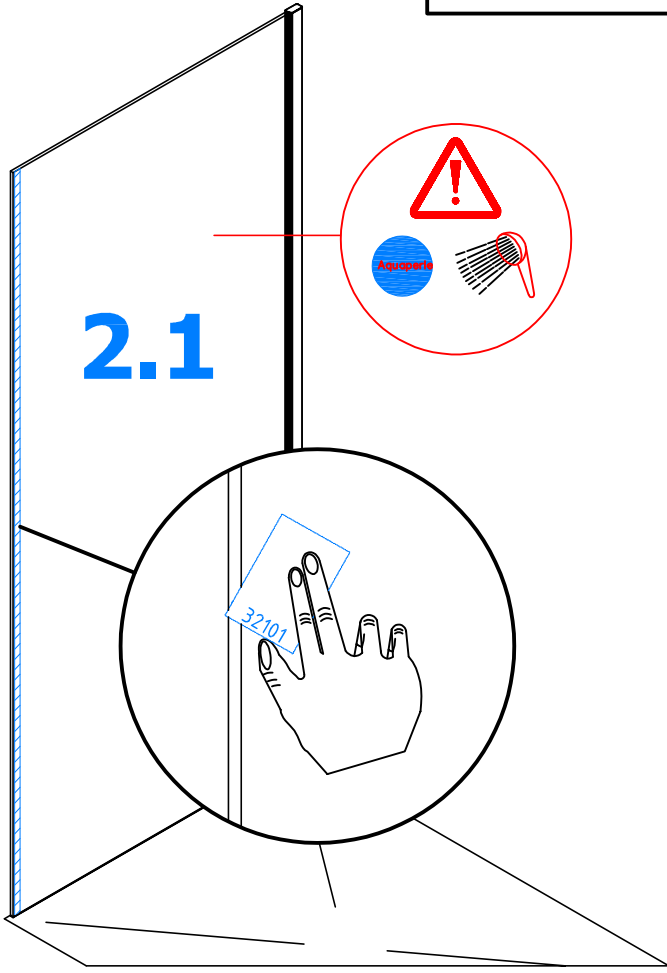
	 51511.XX	 51512.XX
	 54548.XX	 54549.XX
	 14013 3.5X32mm	 32101 32101

1.

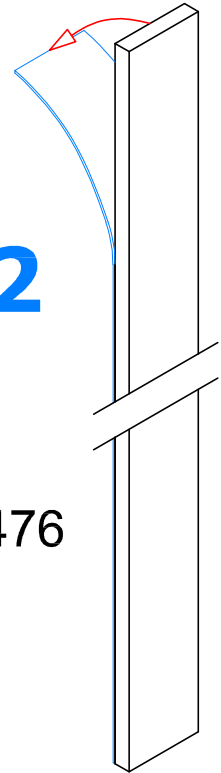


2.1 → 2.4

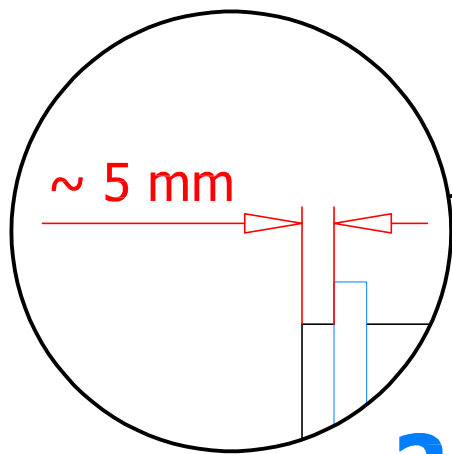
2.1



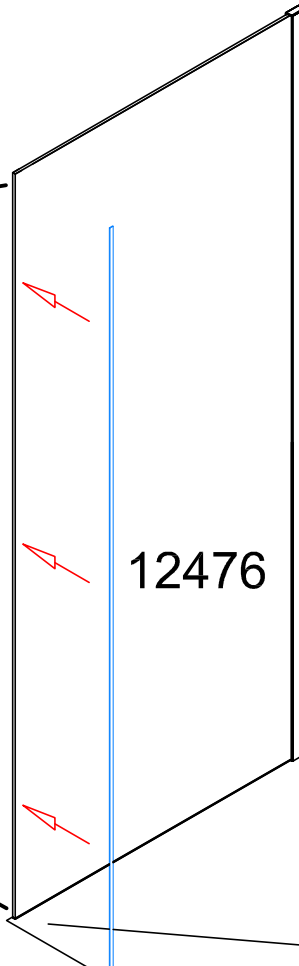
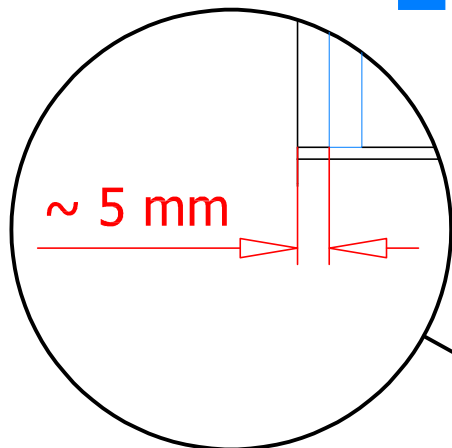
2.2



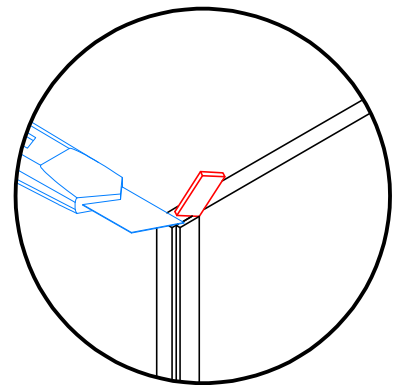
12476



2.3



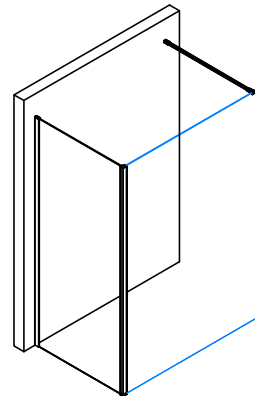
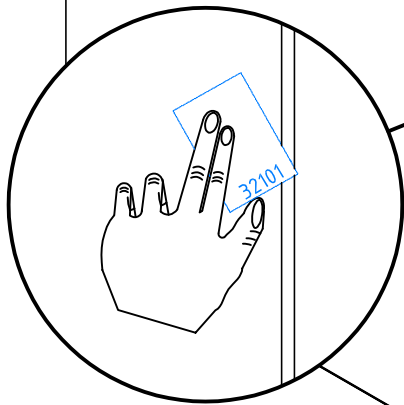
2.4



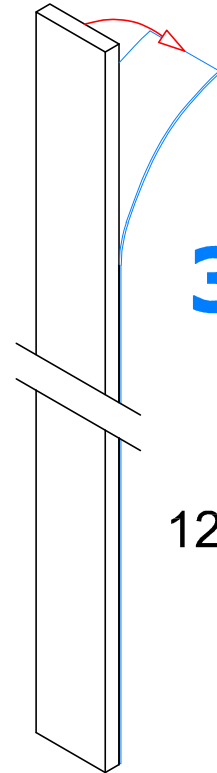
3.1 → 3.4



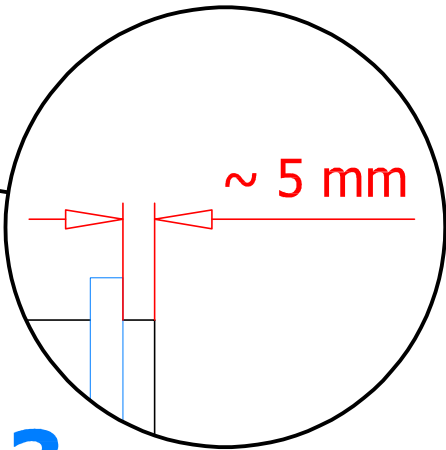
3.1



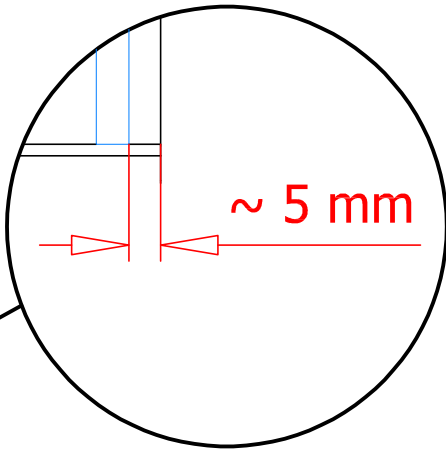
3.2



12476

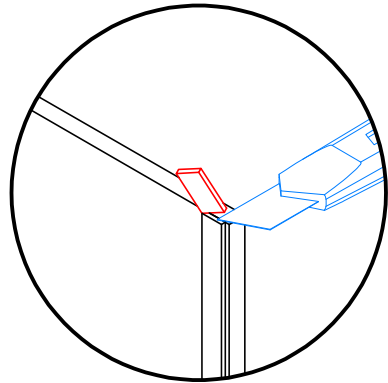


3.3



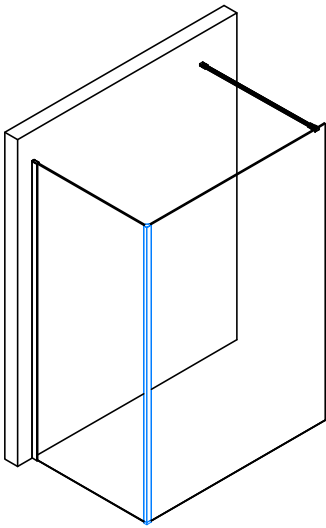
12476

3.4



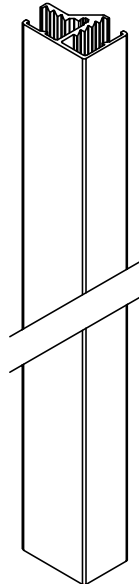
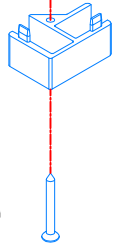
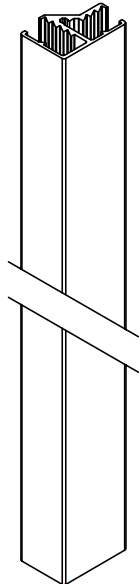
50323AXX.XXXX

4.



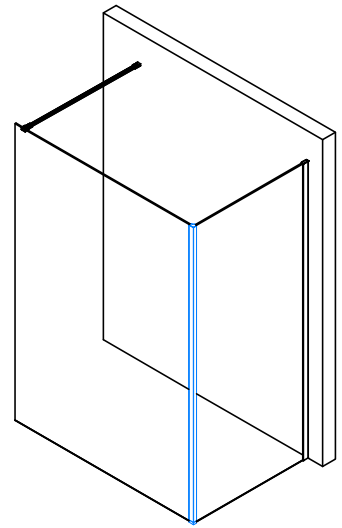
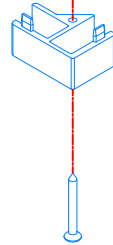
54549.XX

14013

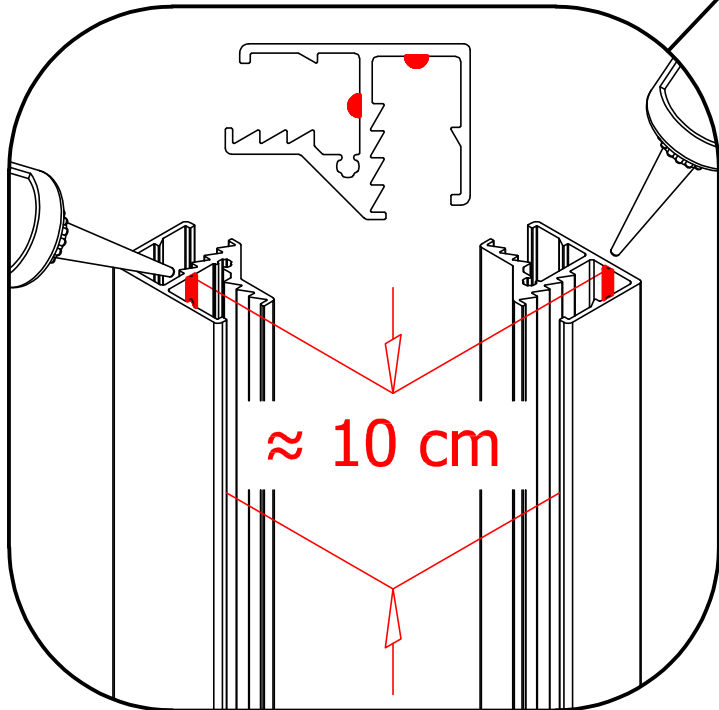


54548.XX

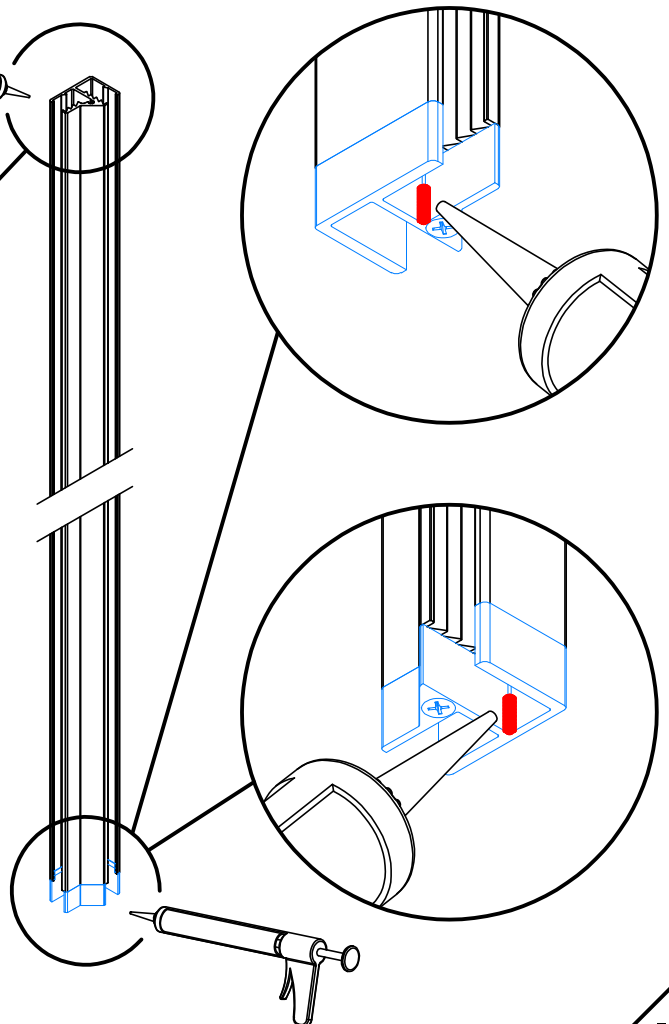
14013



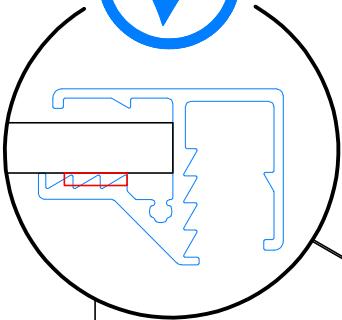
5.



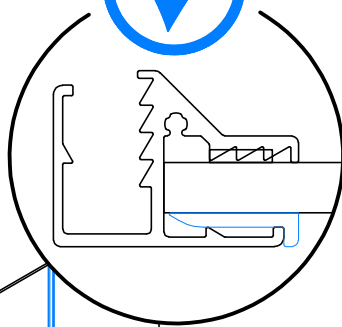
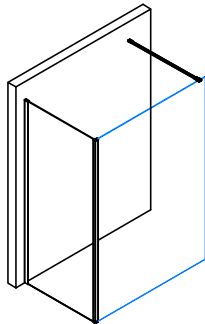
≈ 10 cm



6.1 → 6.3

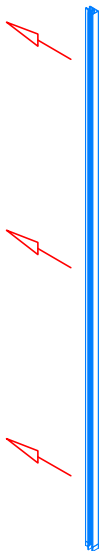
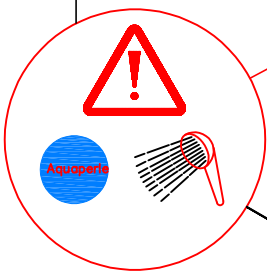


6.1

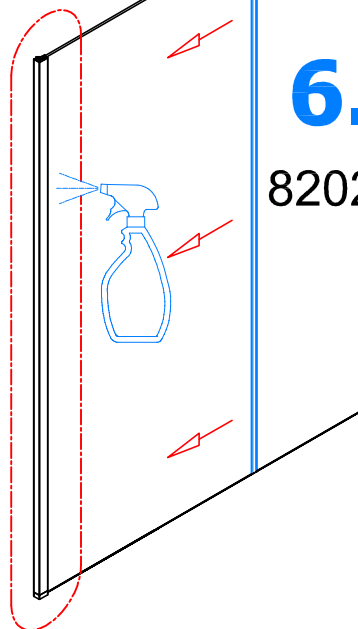


6.3

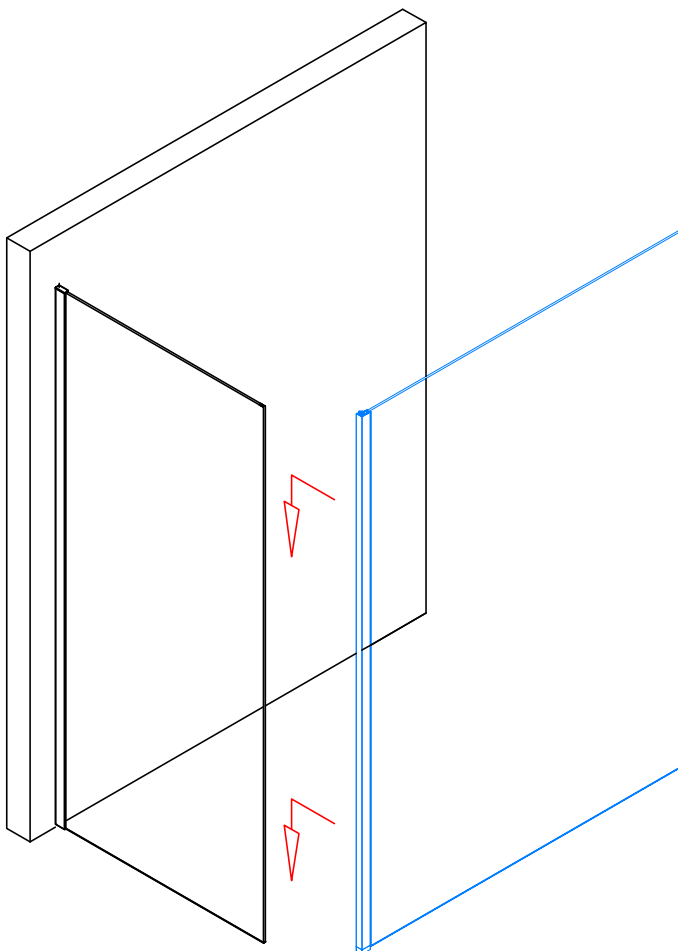
82021



6.2

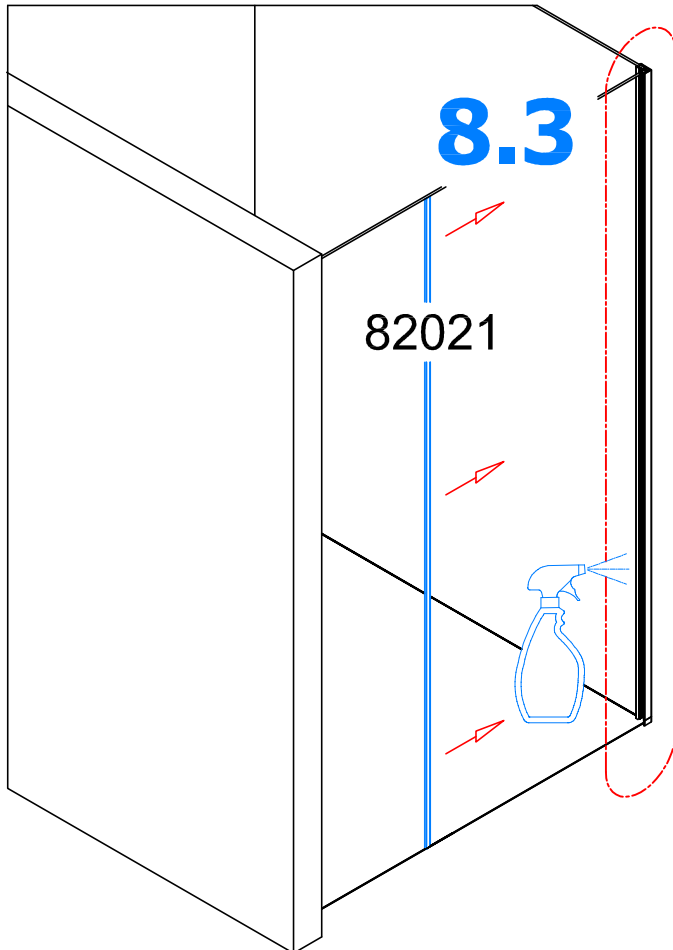
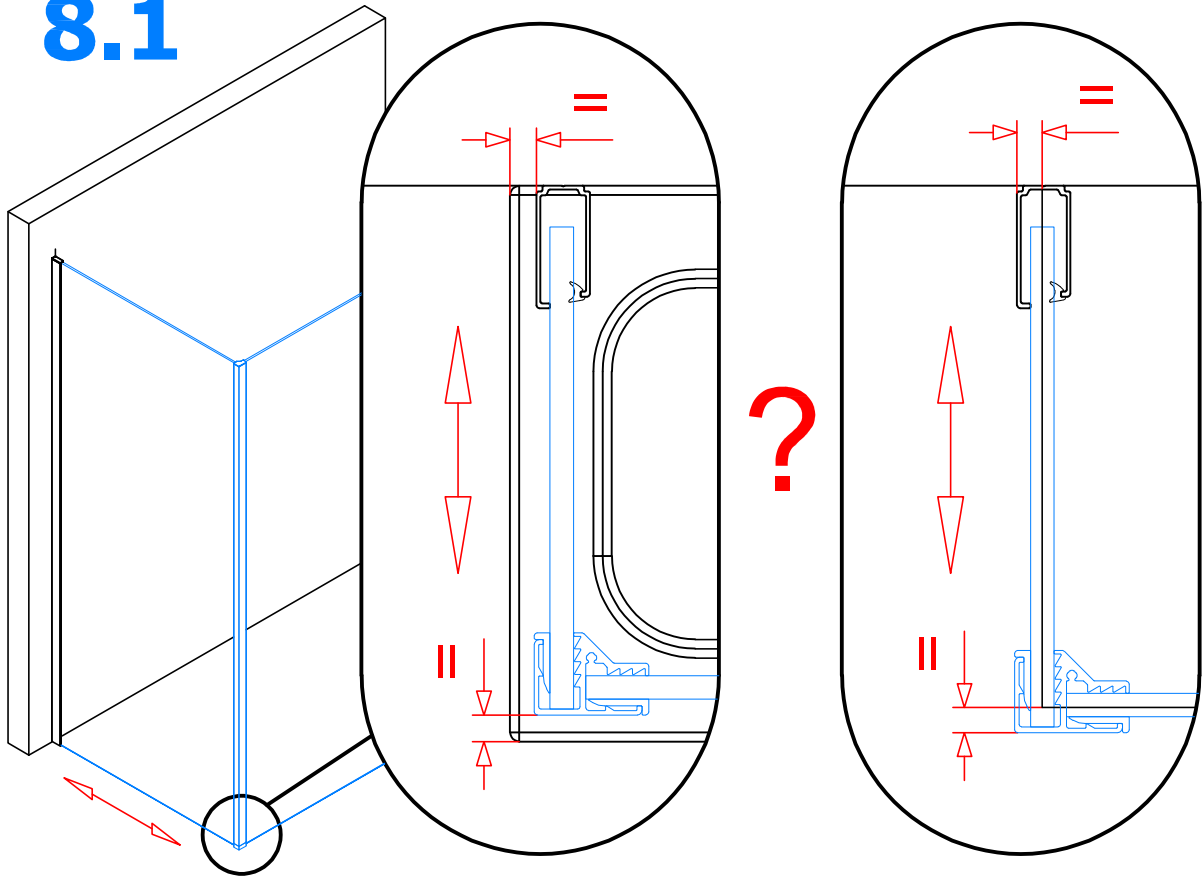


7.



8.1 → 8.2

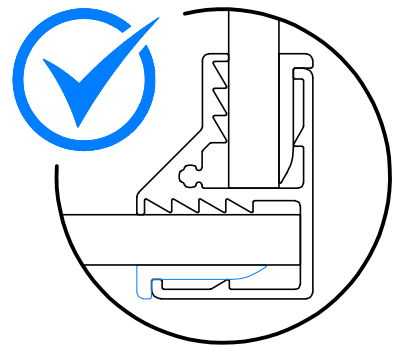
8.1



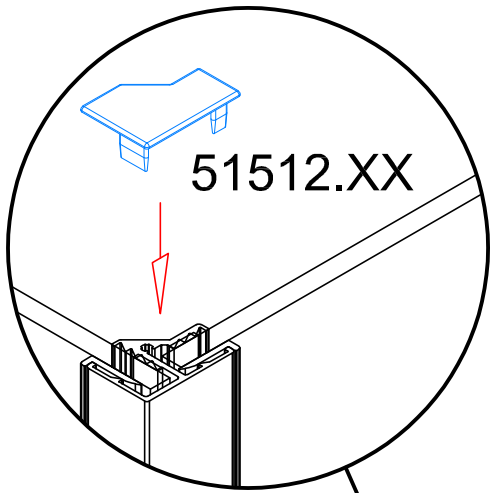
8.3

82021

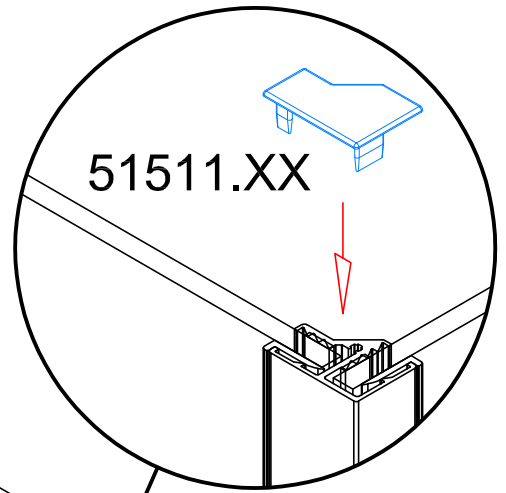
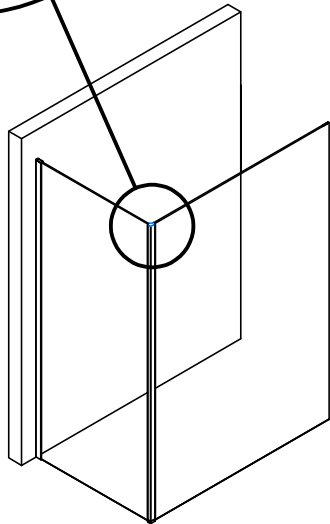
8.2



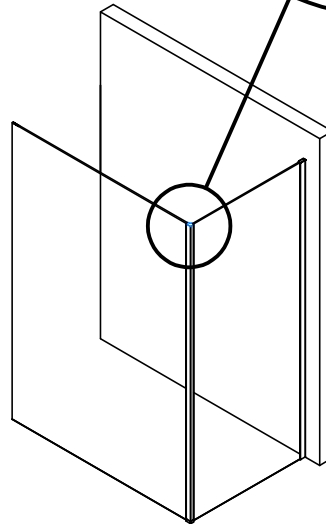
9.



51512.XX

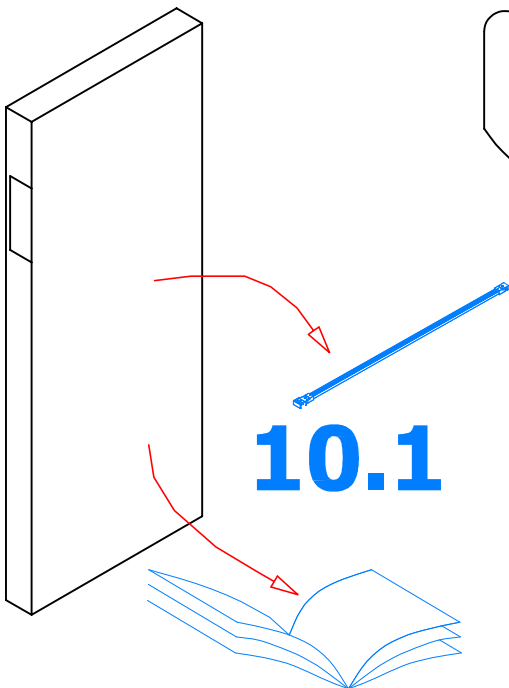


51511.XX

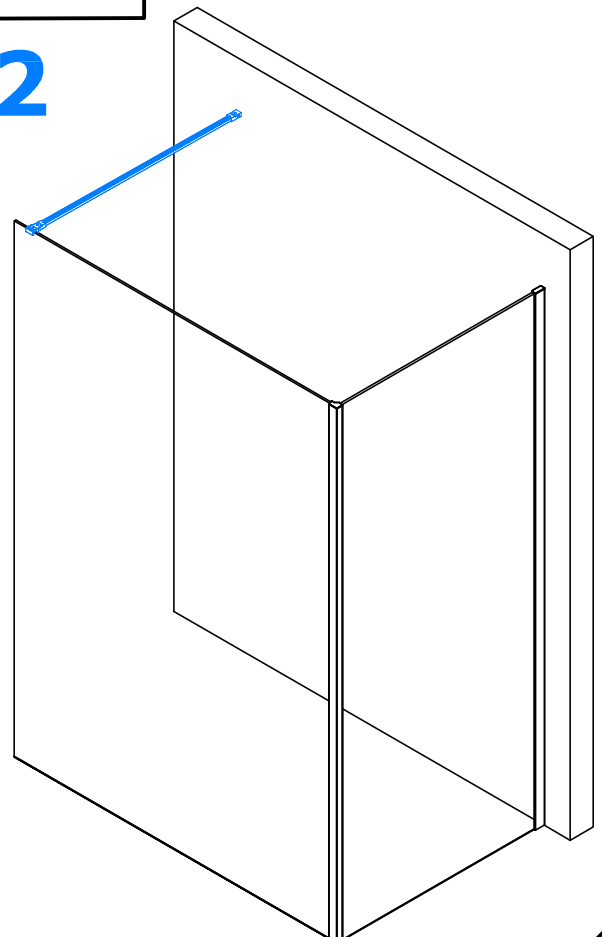


10.1 → 10.2

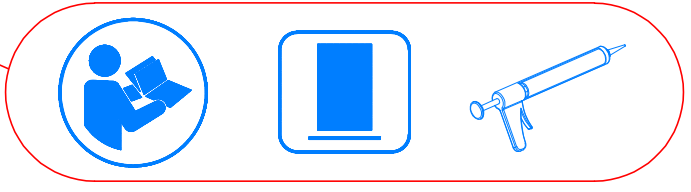
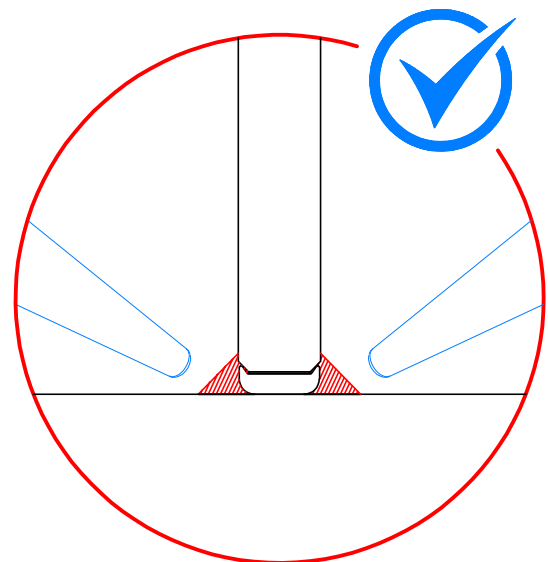
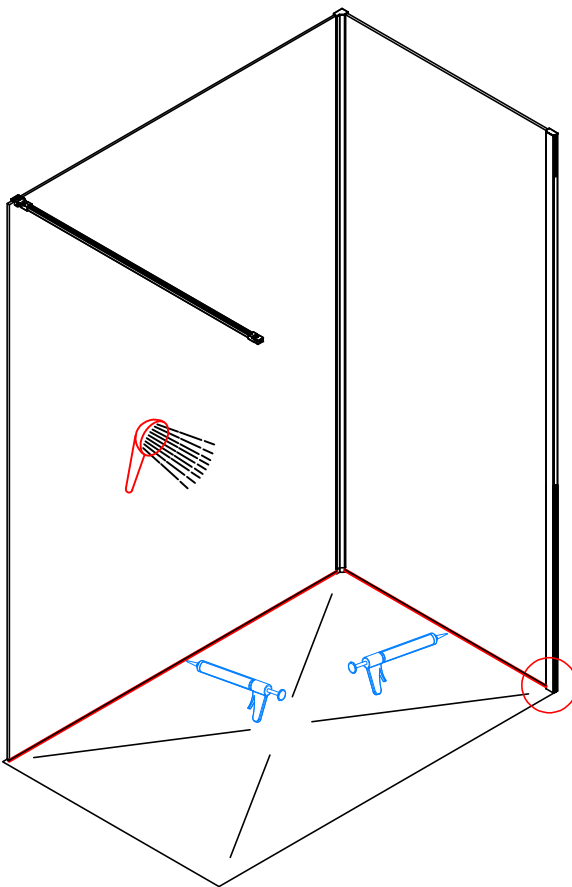
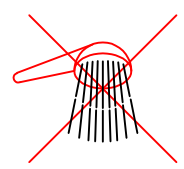
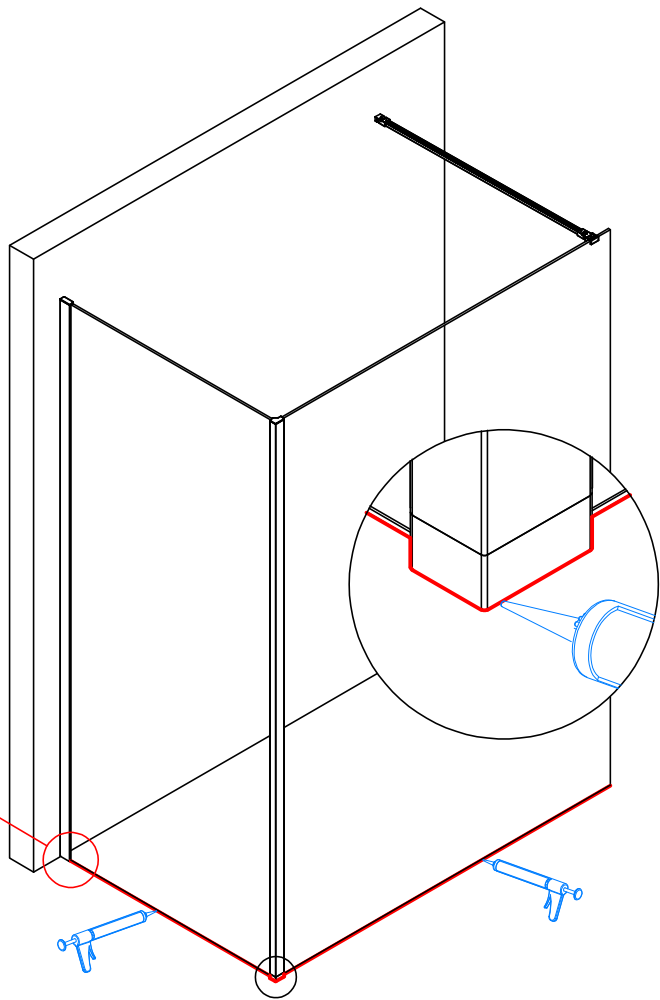
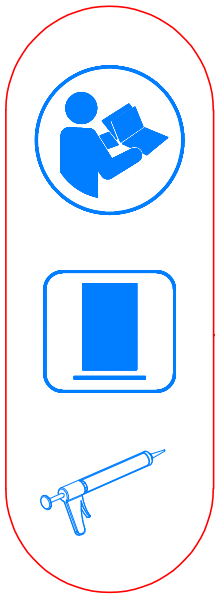
10.2



10.1



11.



WPEL

WPER

