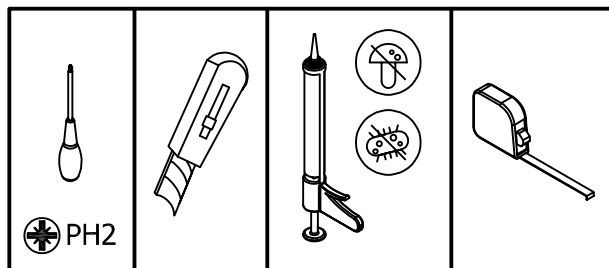
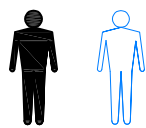
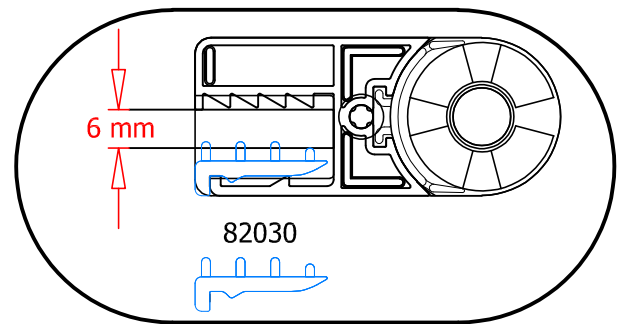
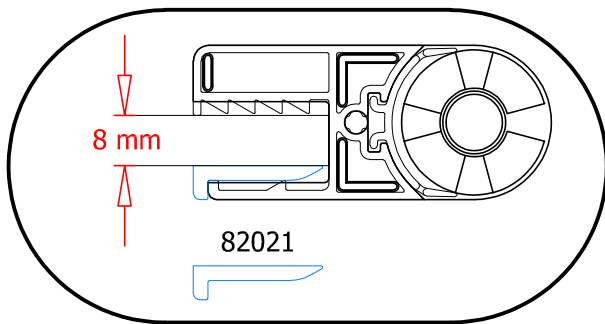
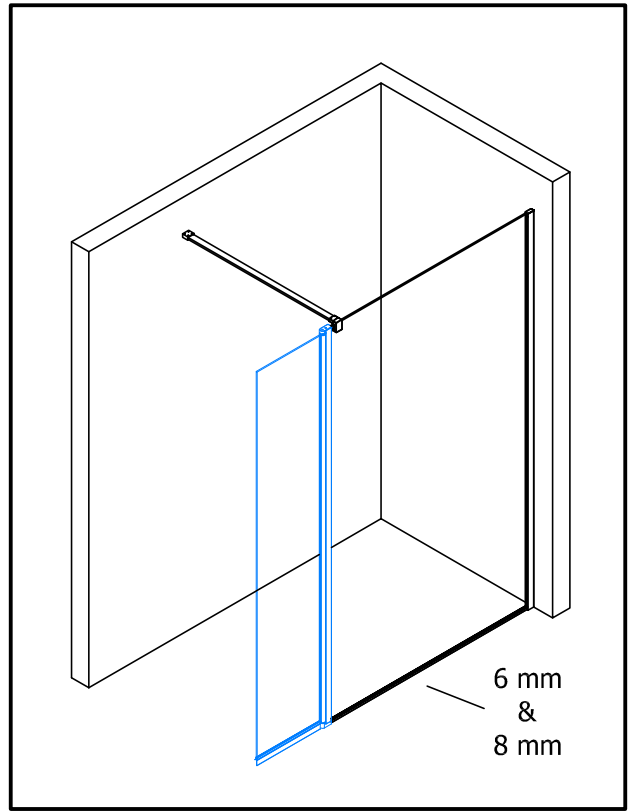
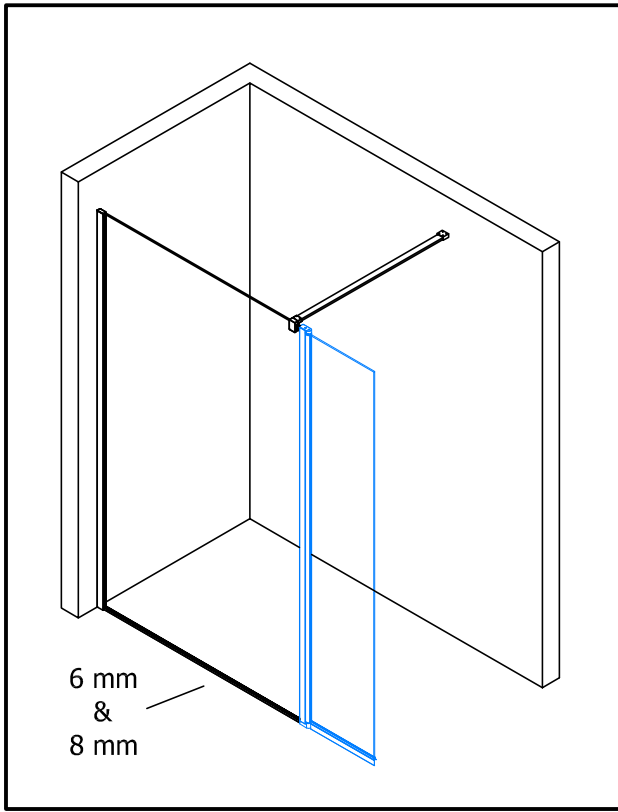
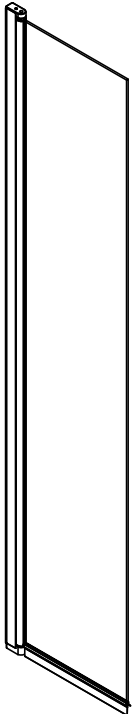





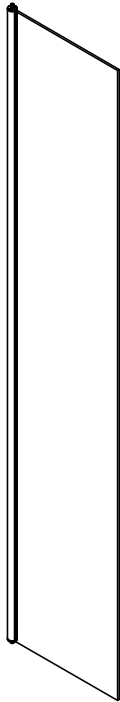
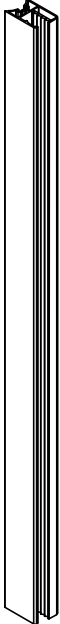





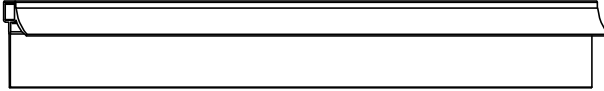


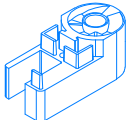
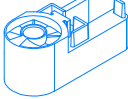



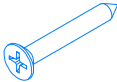


19789

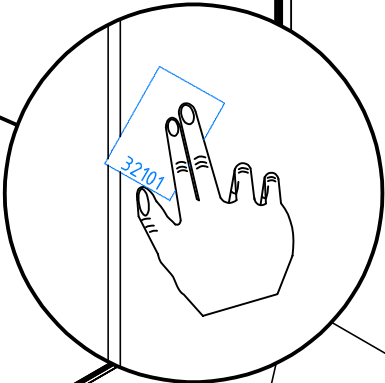
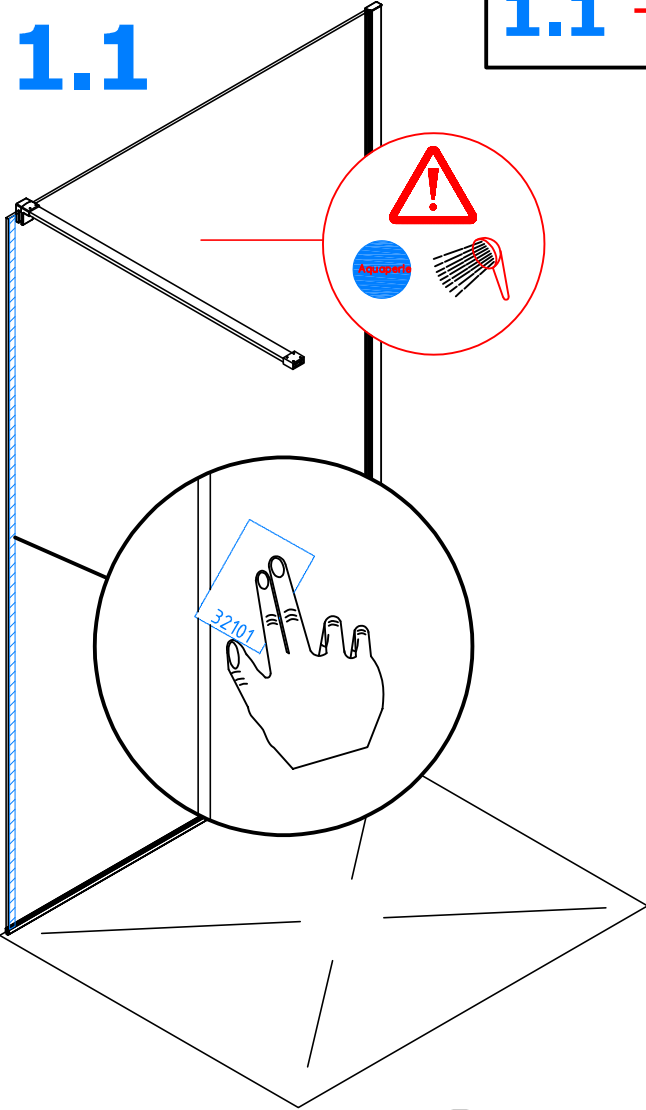
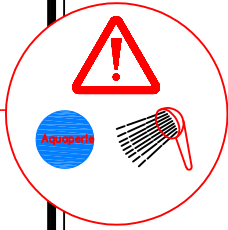


	80028AXX.XXXX 	82030.XXXX 	82021.XXXX 	12476.XXXX 	82015.XXXX 	
						
		82020.XXX 				

	 1 x 81149.XX	 1 x MT0461.XX	 1 x MT0462.XX	 1 x 84027.XX
	 1 x 32101	 1 x 14019 3.5 X 16	 1 x 14013 3.5 X 32	

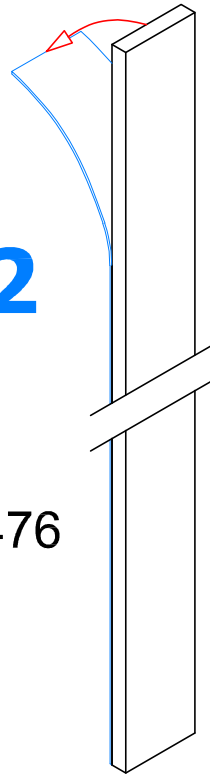
1.1

1.1 → 1.4

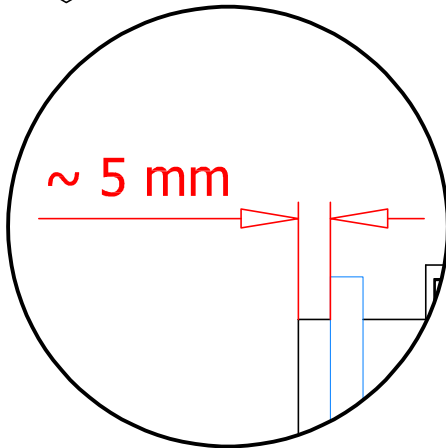
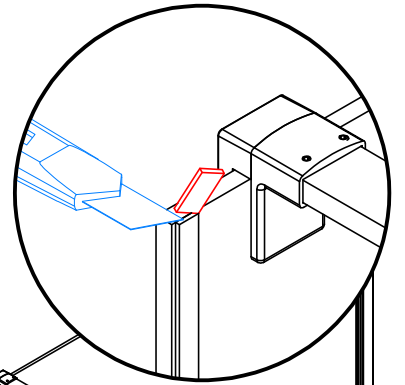


1.2

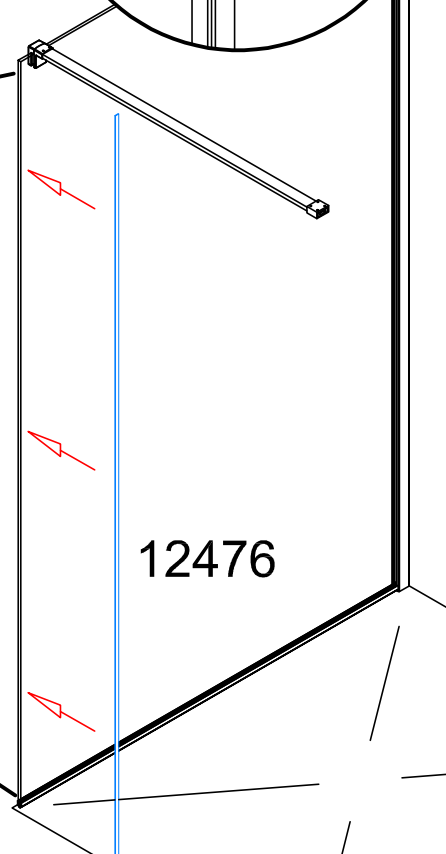
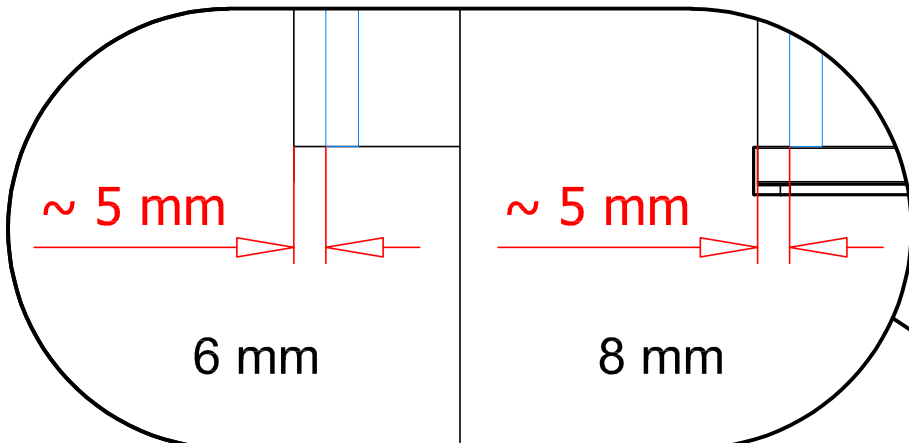
12476



1.4



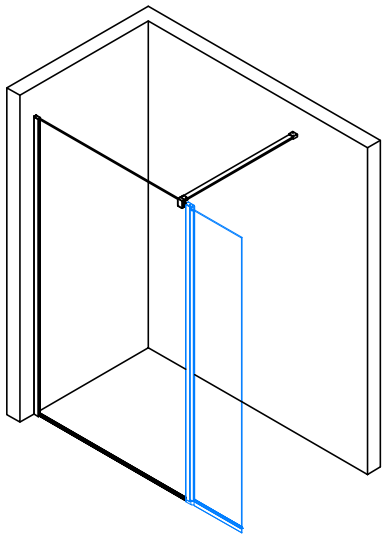
1.3



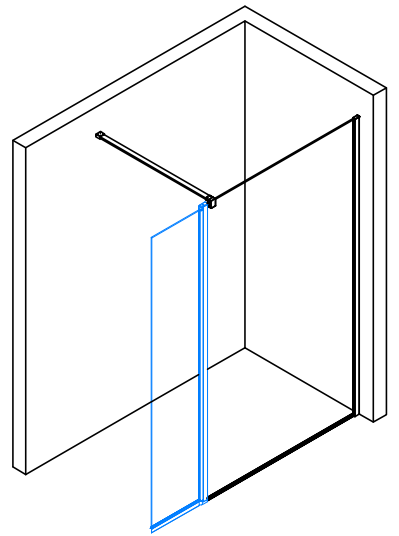
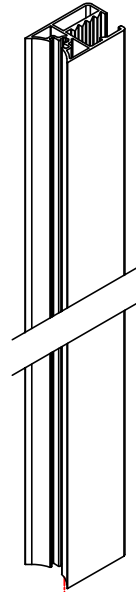
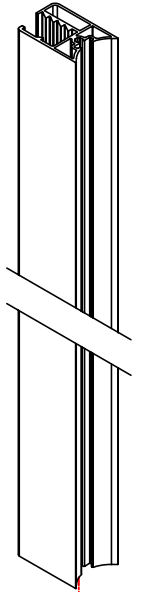
12476

80028AXX.XXXX

2.

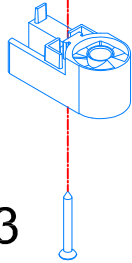


MT0462

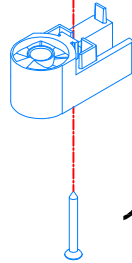


MT0461

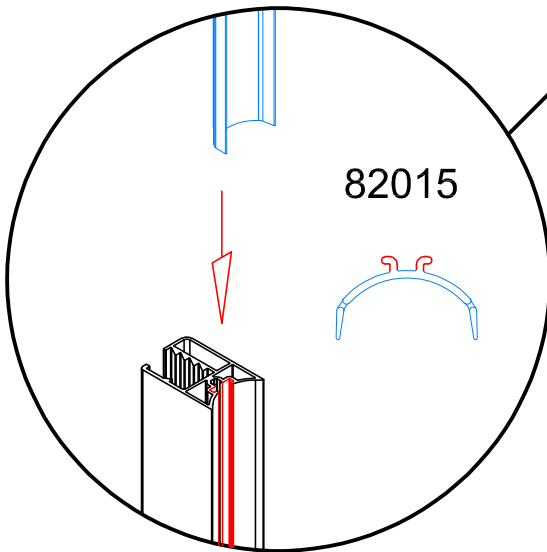
14013



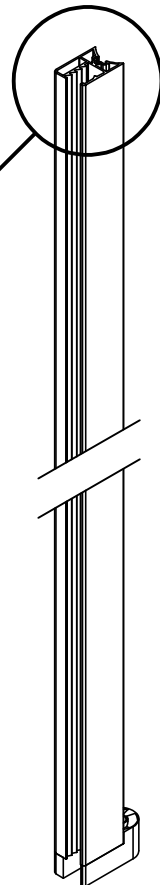
14013



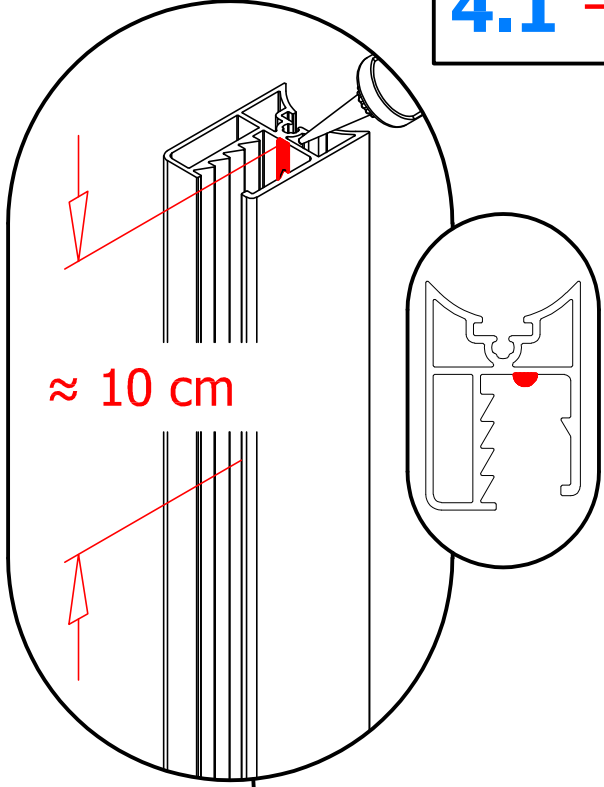
3.



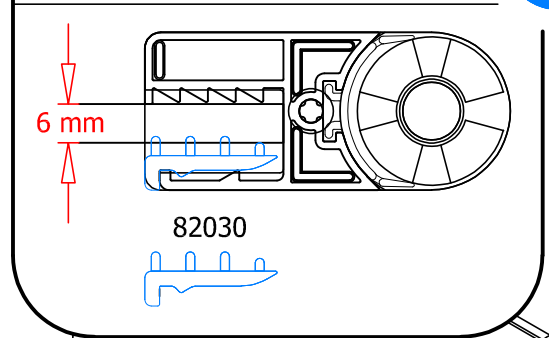
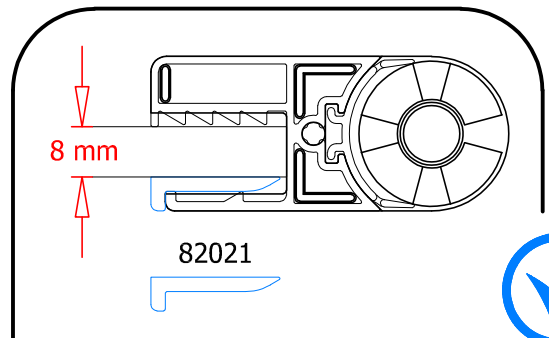
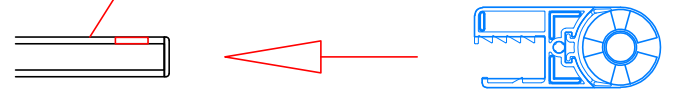
82015



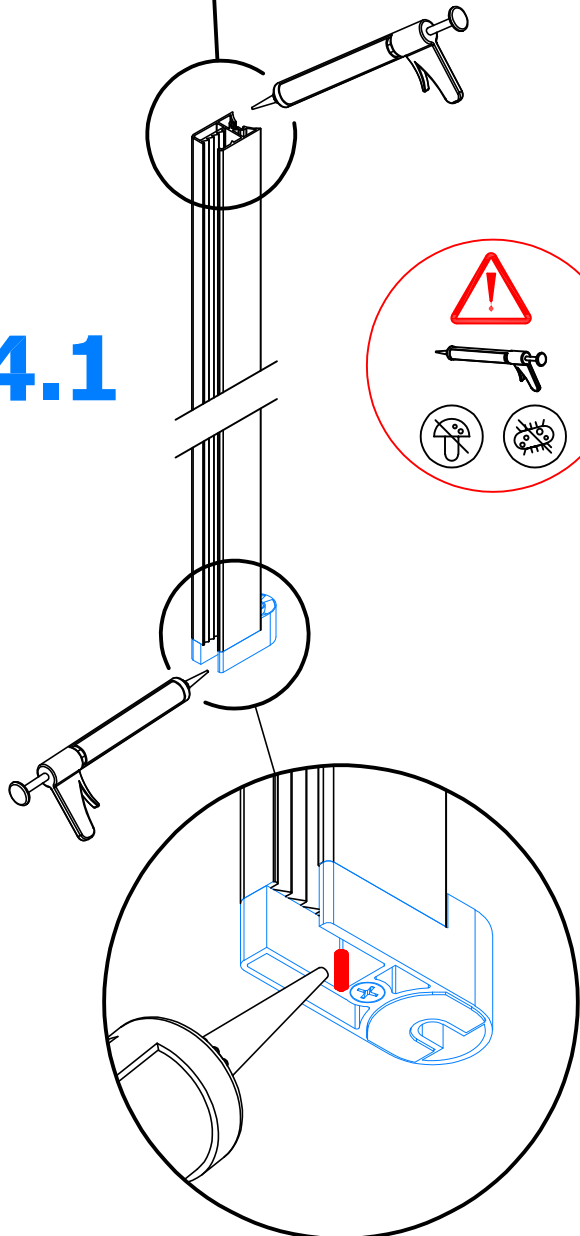
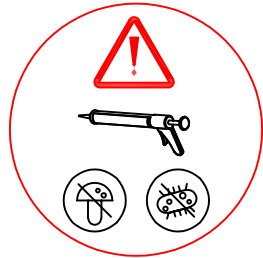
4.1 → 4.4



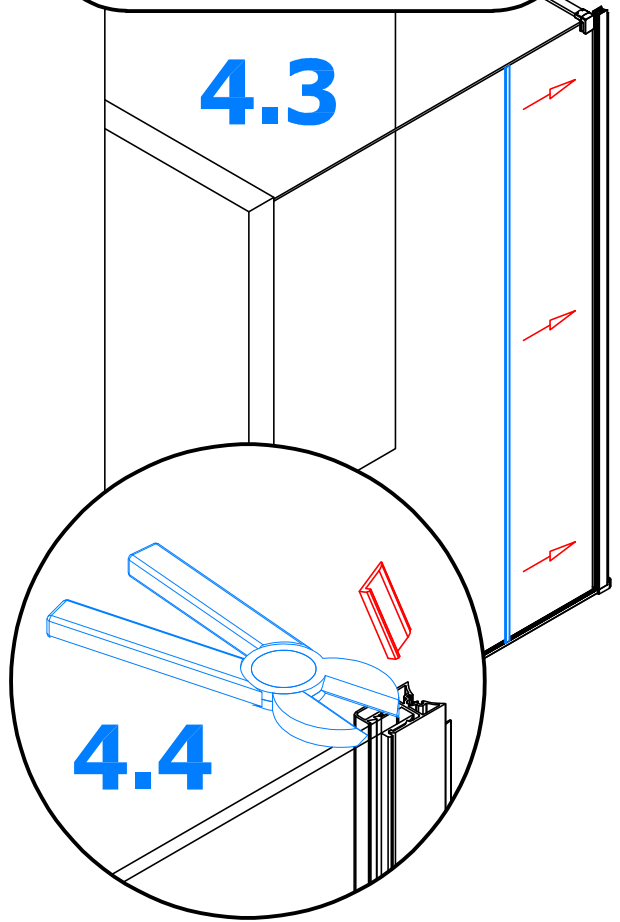
4.2



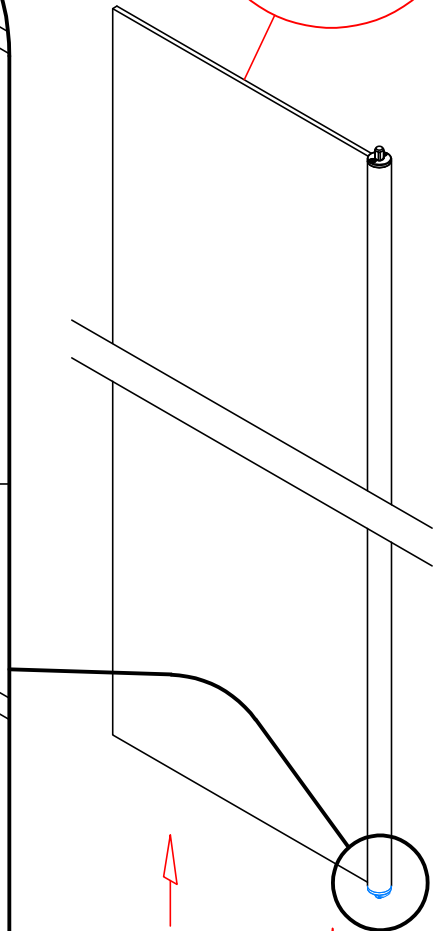
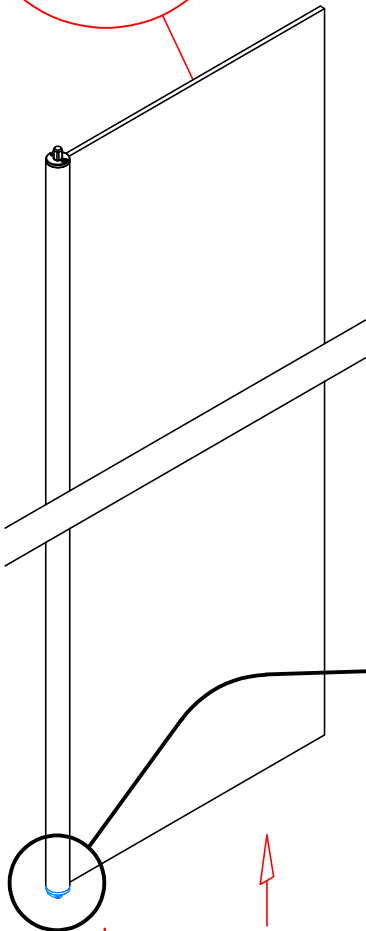
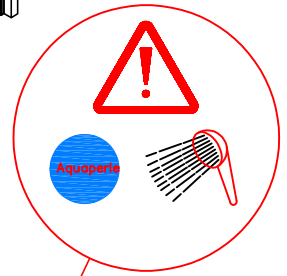
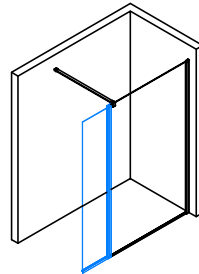
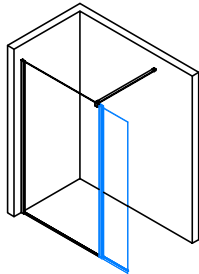
4.1



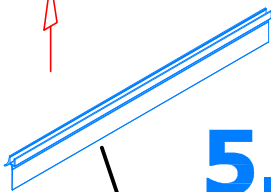
4.3



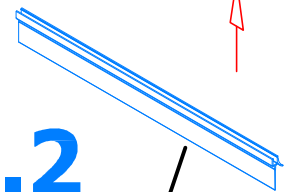
5.1 → 5.2



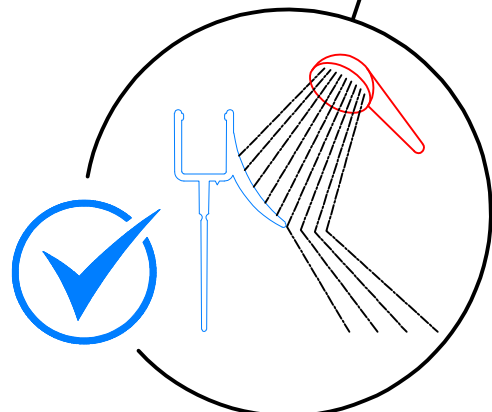
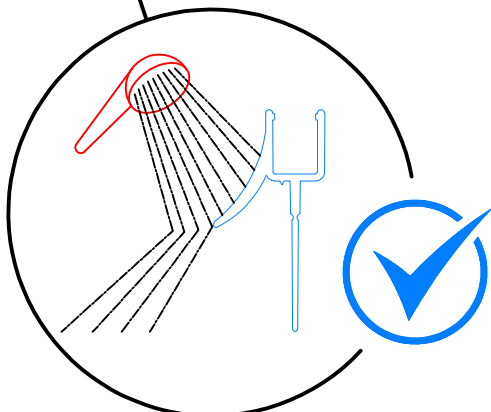
5.1



5.2

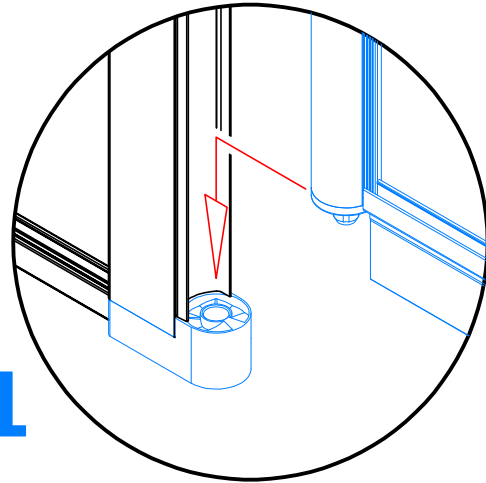
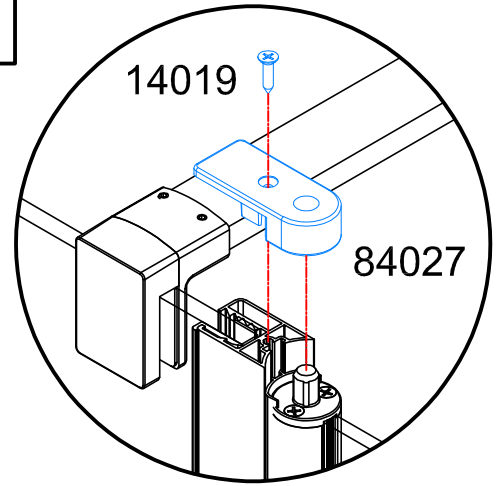


5.2



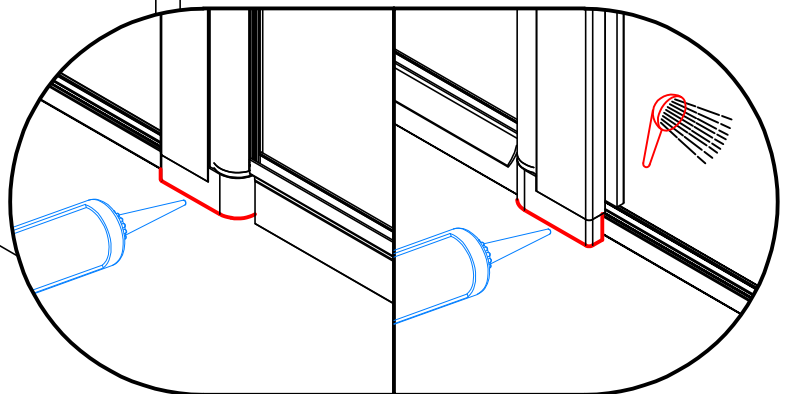
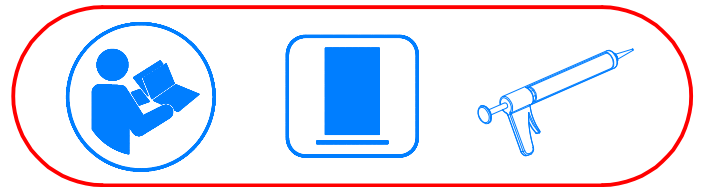
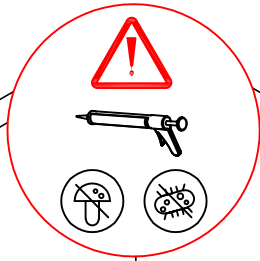
6.1 → 6.2

6.2

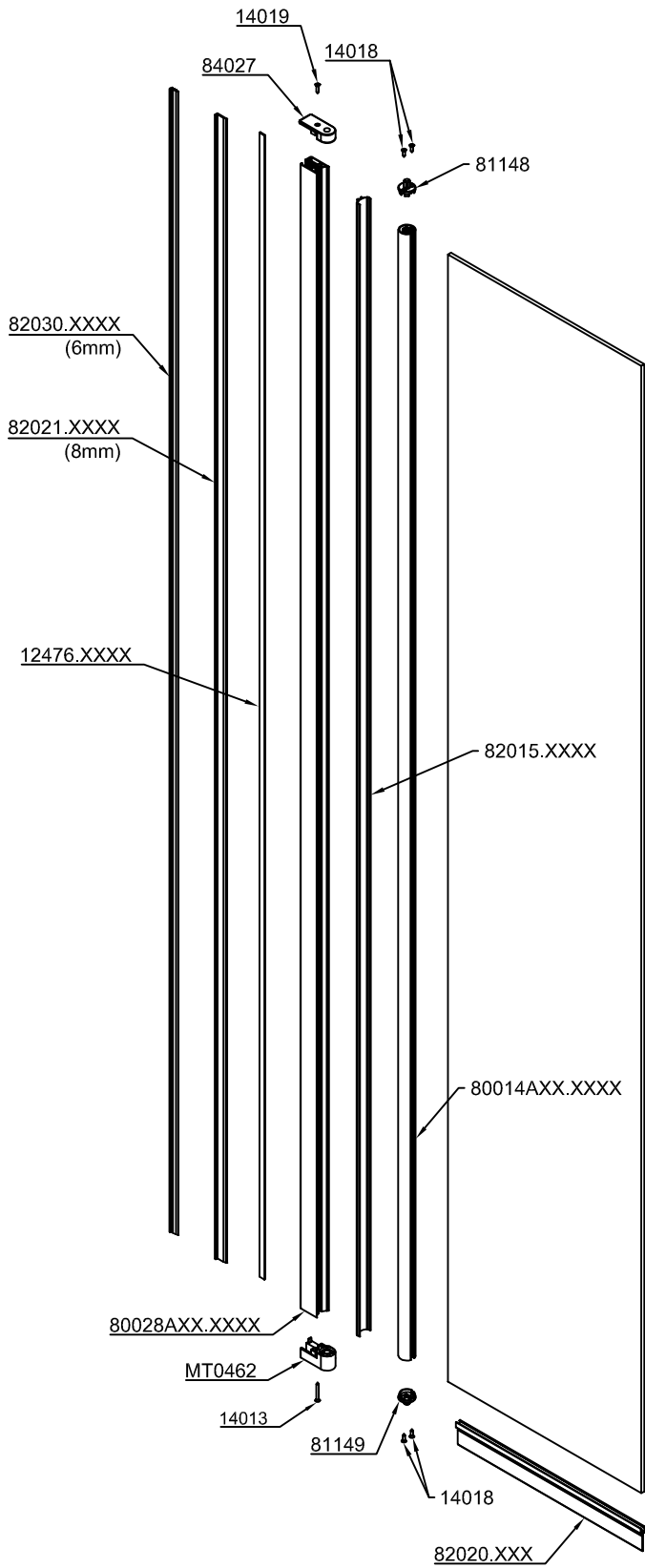


6.1

7.



BTE3L



BTE3R

