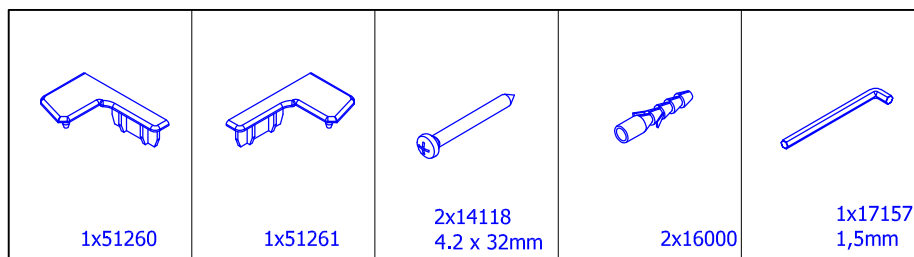
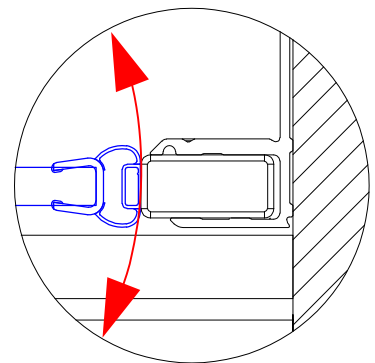
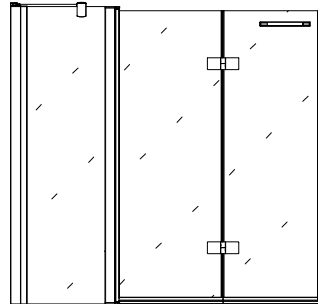
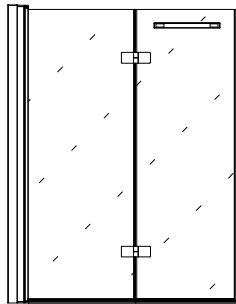
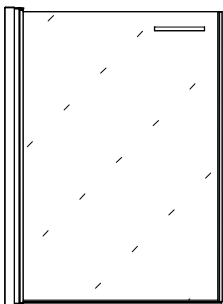
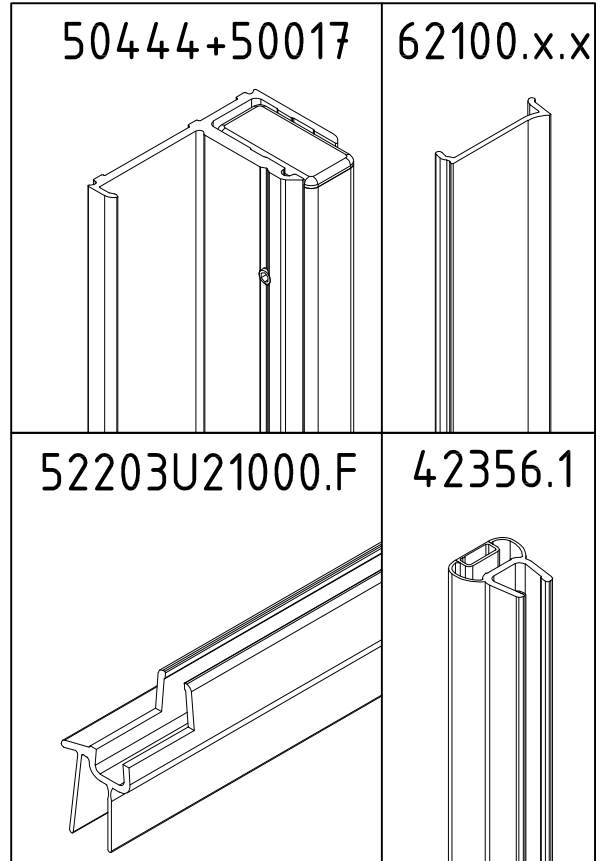
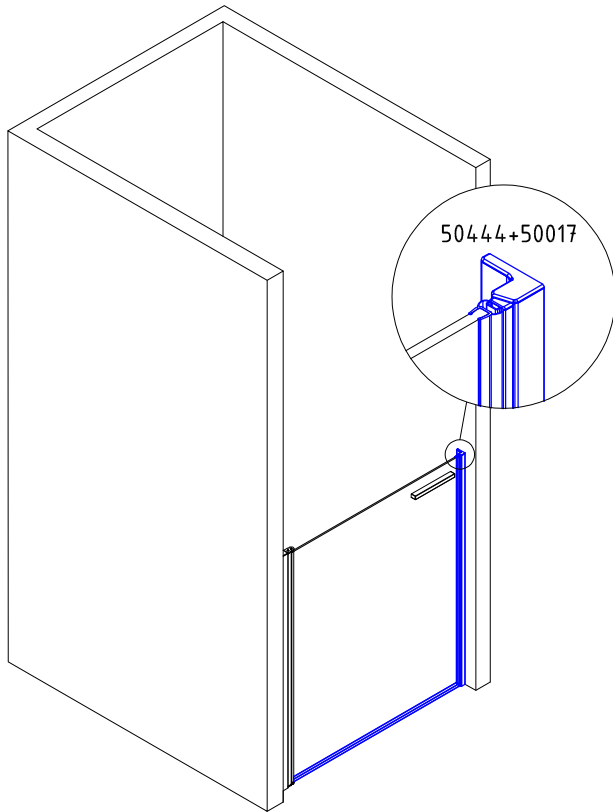
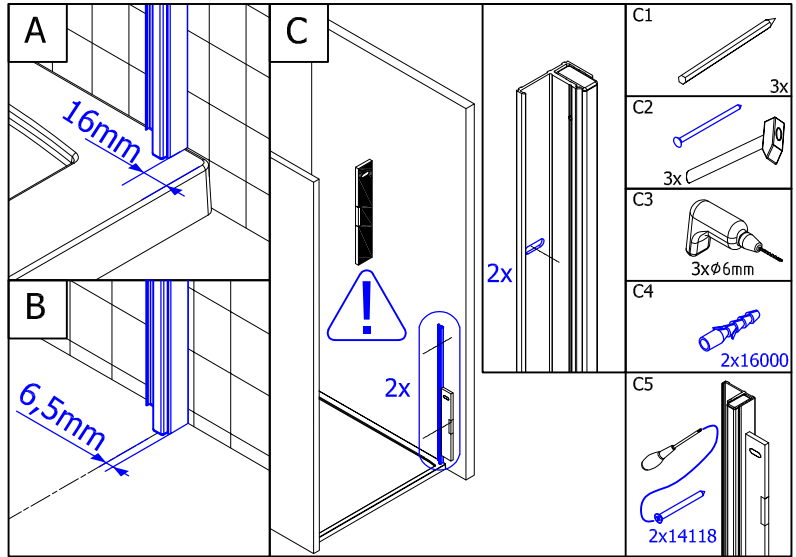


19719



1.

1x50444
1x50017



2.

A

B

B1

B1

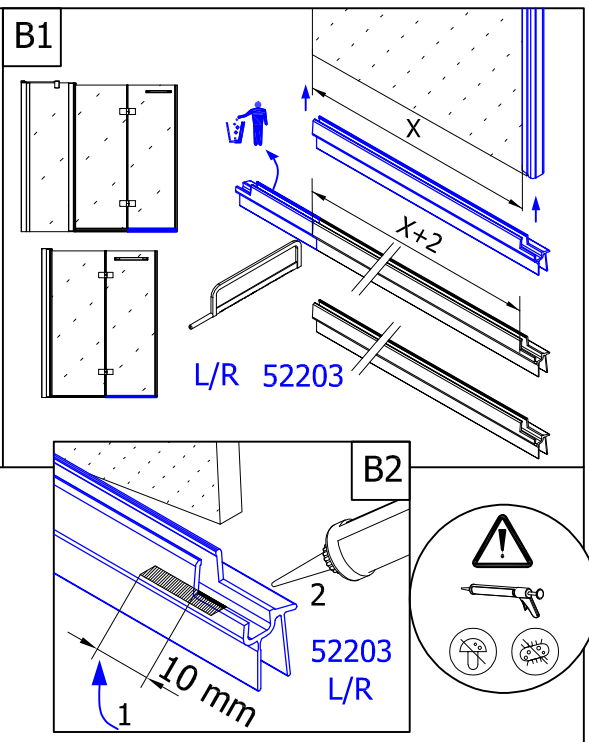
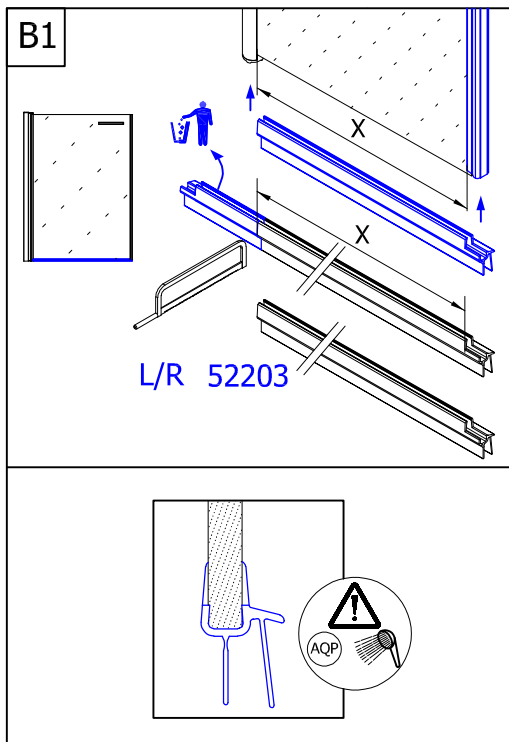
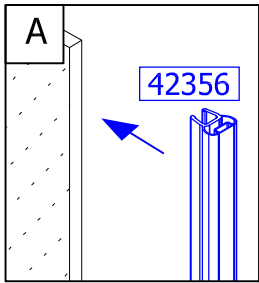
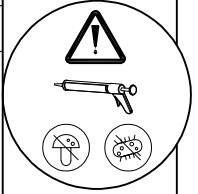
B2

L/R 52203

L/R 52203

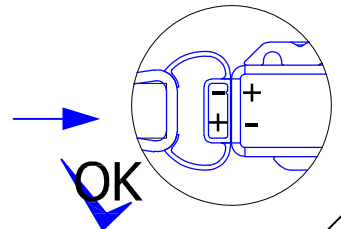
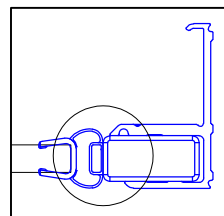
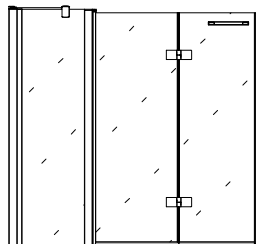
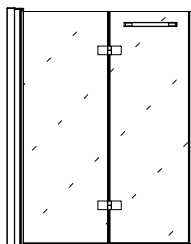
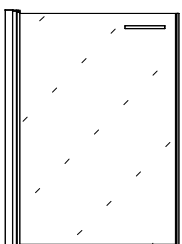
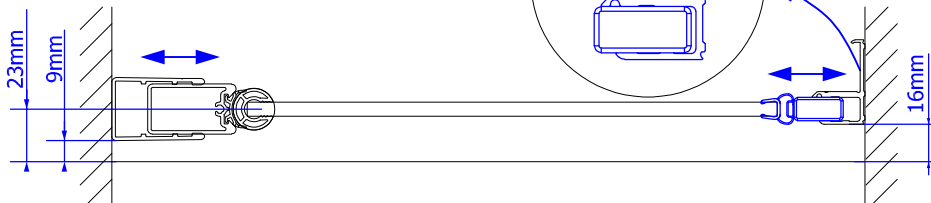
52203
L/R

42356

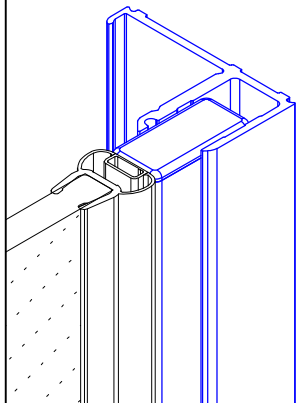


3.

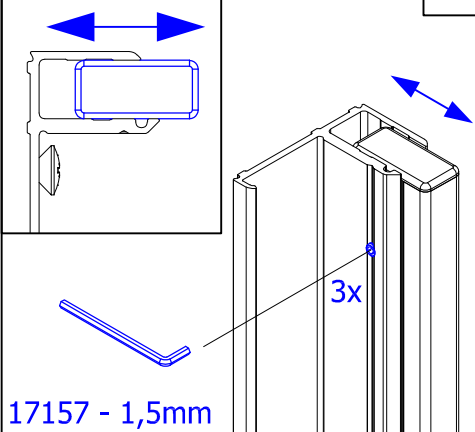
1x50444
1x50017



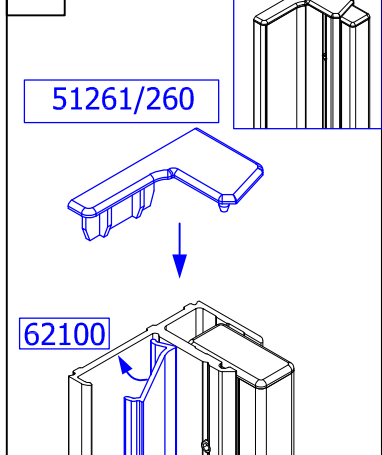
A



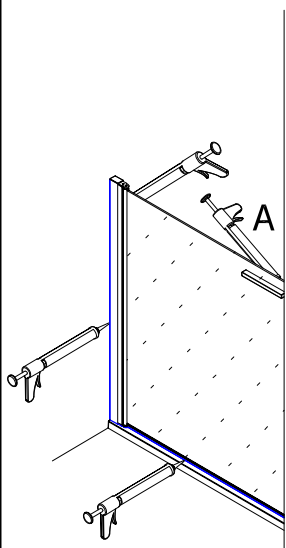
A1



A2



4.



A

