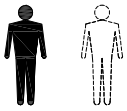
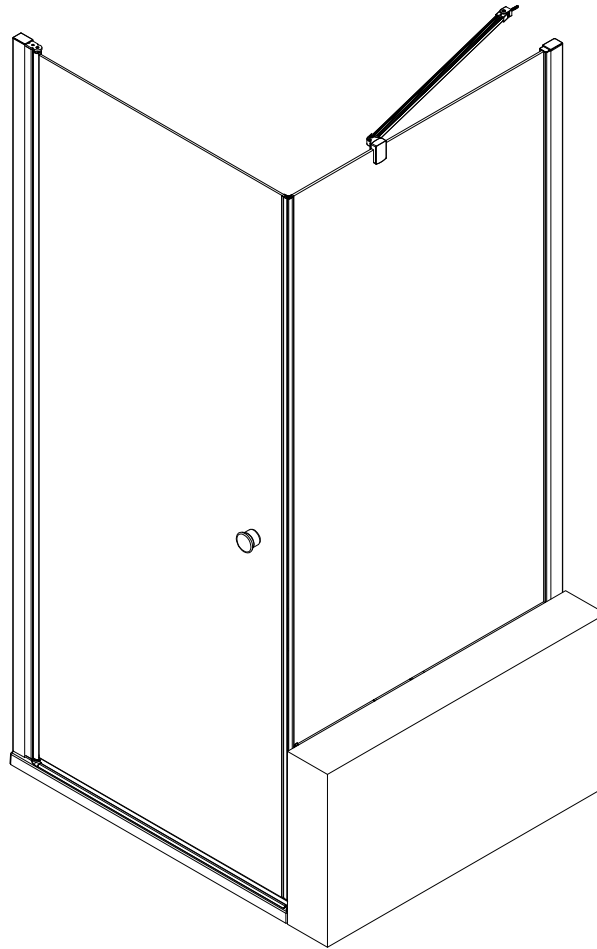
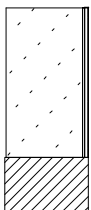
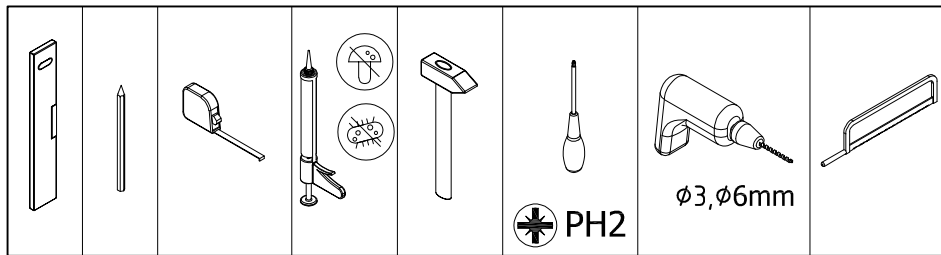


# 19726

**1.** - **6.**



1x

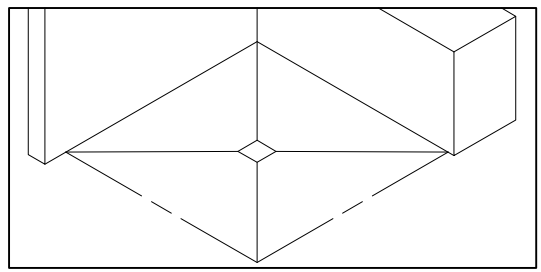
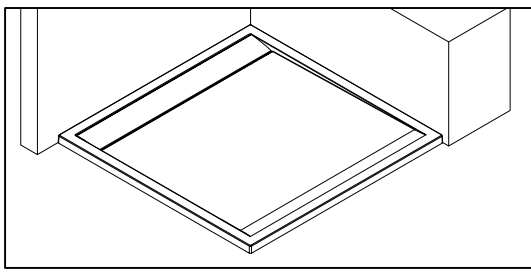


50012	MT0324.xx.xxx (1x)	50447 (1x) 51379/51380 (1x)	50439 (1x) 51335/51336 (1x)	62100.x.x (1x)

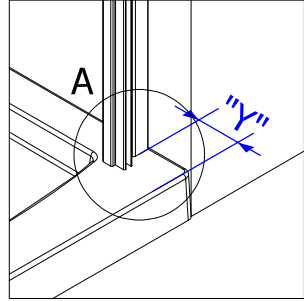


19426  
19436  
19487

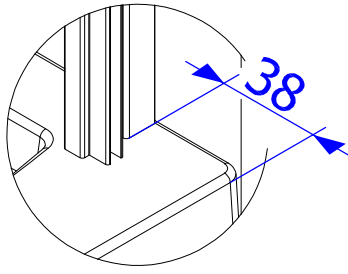
	2 x 51339	2 x 51399	5 x 14349 4.2 x 45mm	5 x 14003 3,5x9,5mm	3 x 51337	
			5 x 16000 ø 6mm	2 x 11293	3 x 51338	1 x 51412



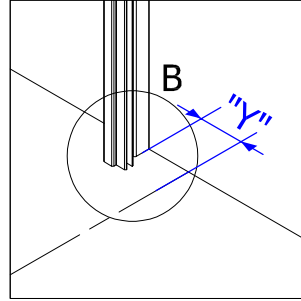
L/R



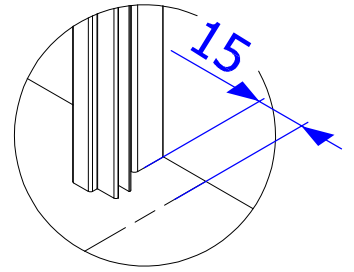
Detail A



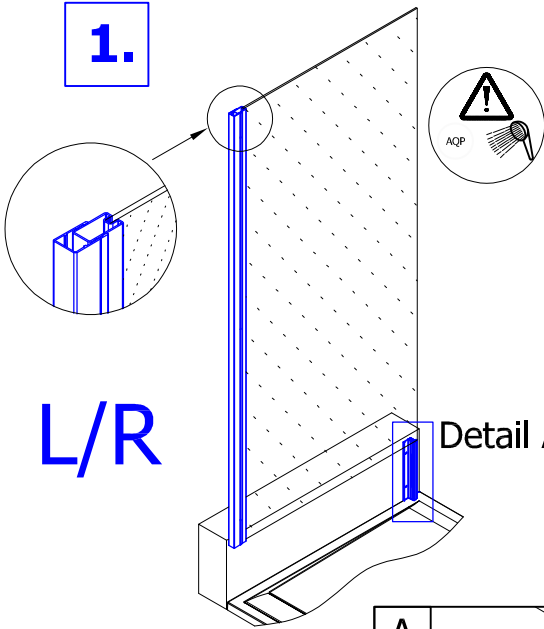
L/R



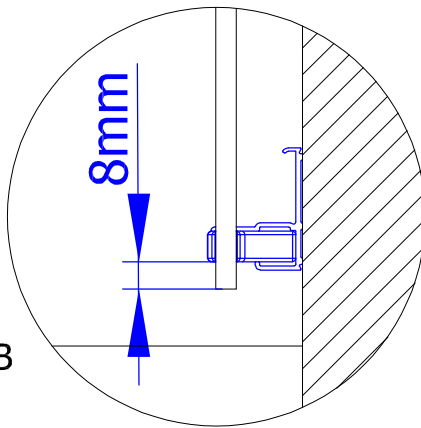
Detail B



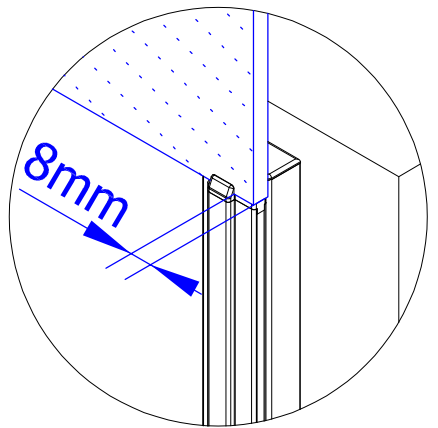
1.



Detail A

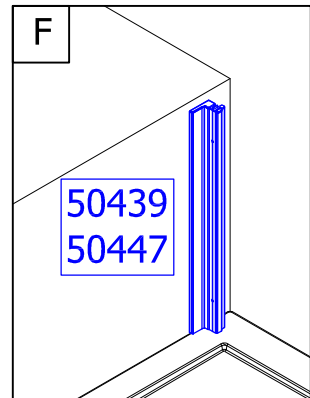
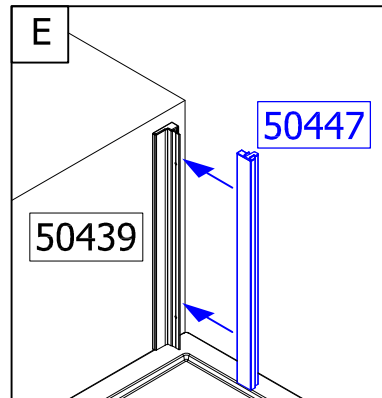
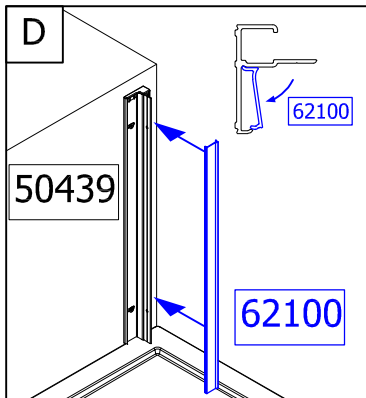
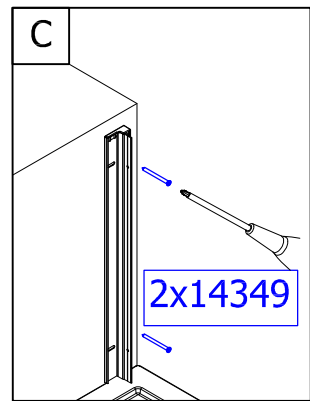
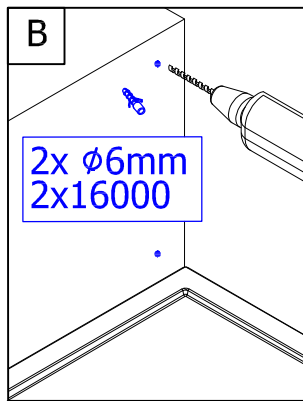
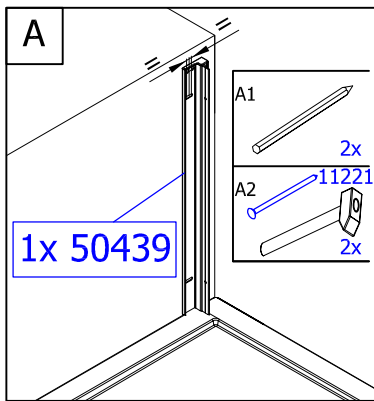
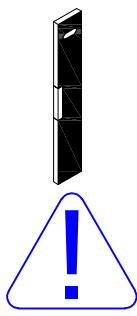


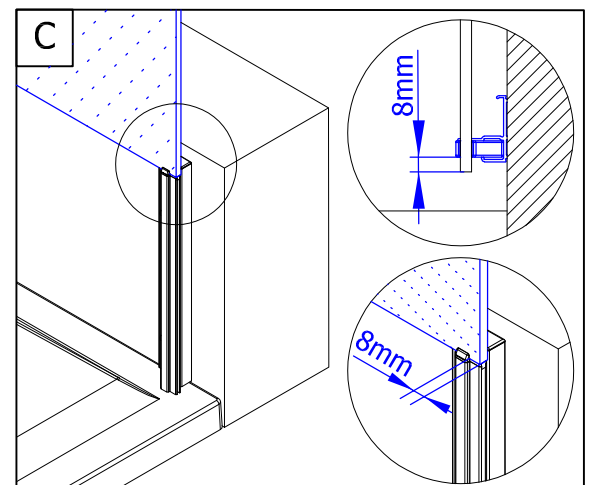
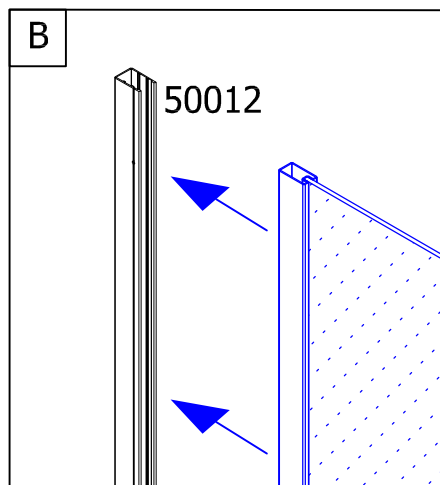
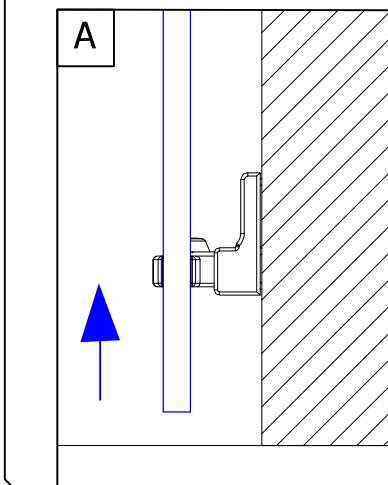
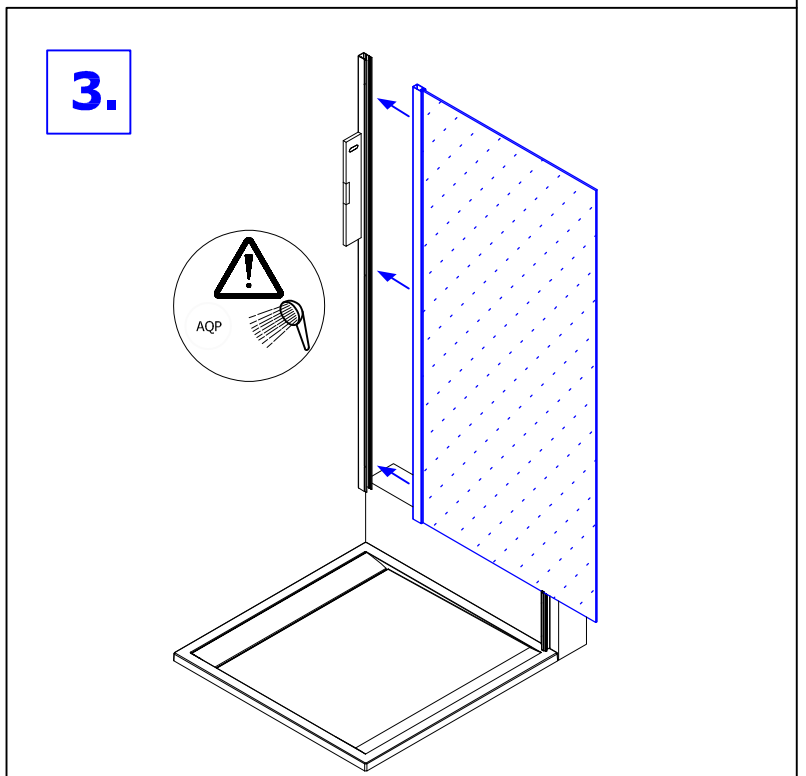
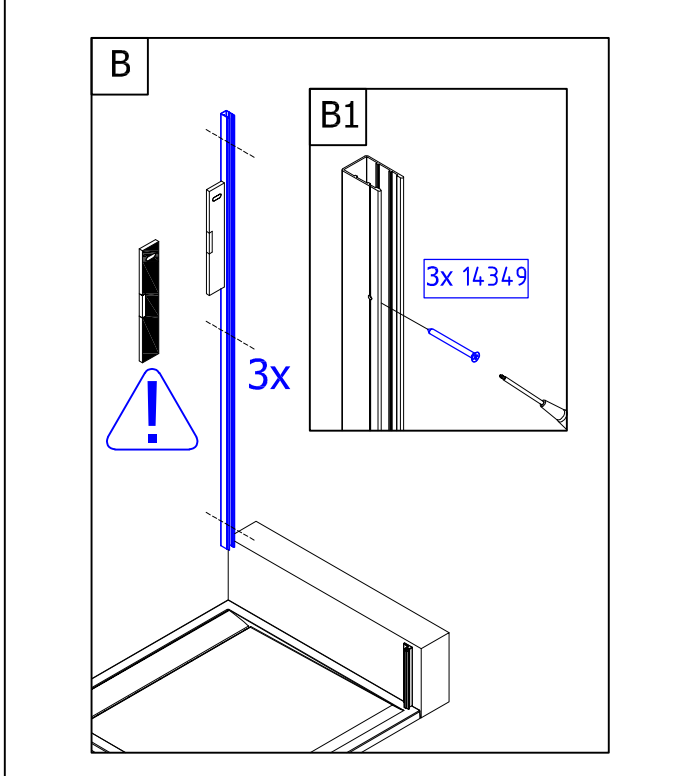
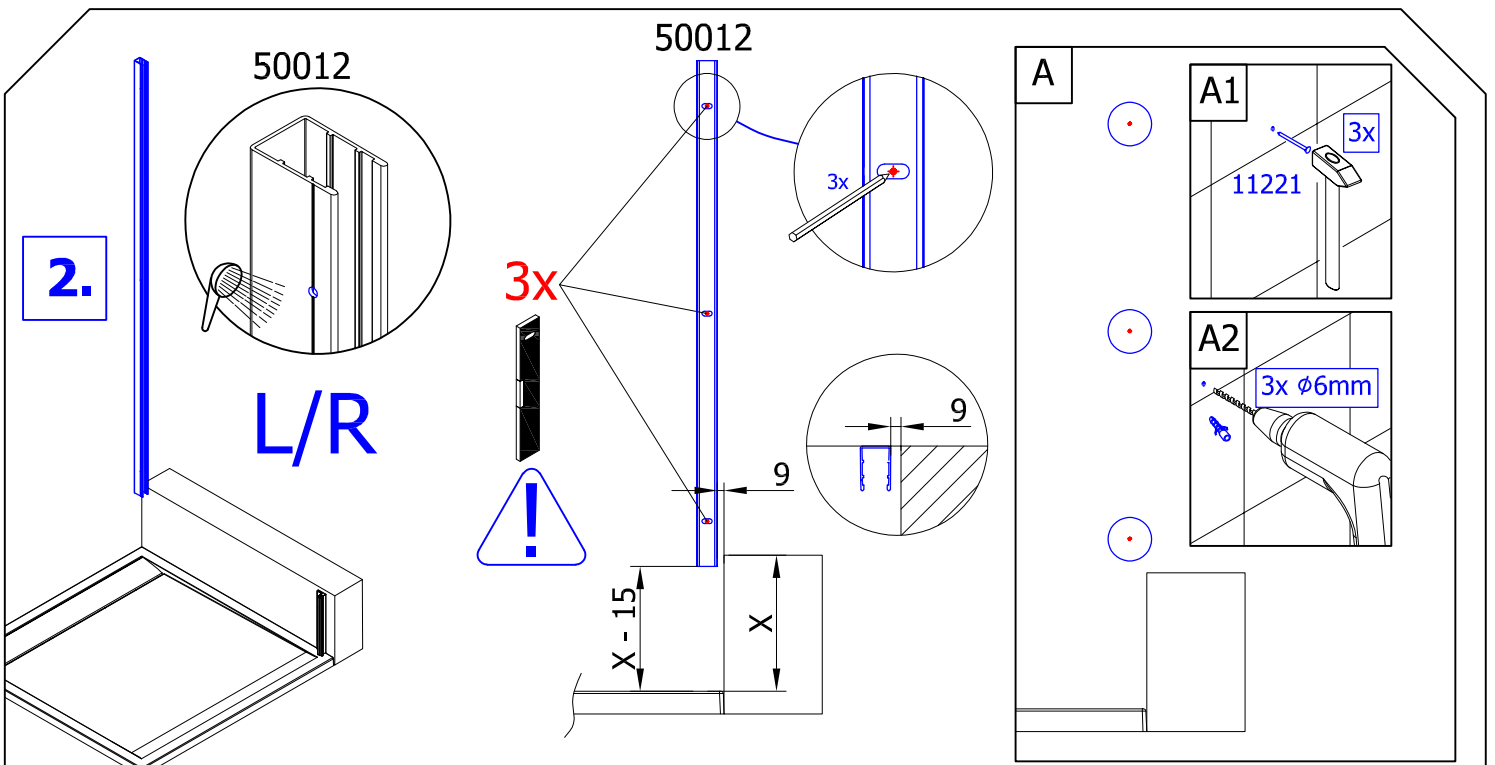
Detail B



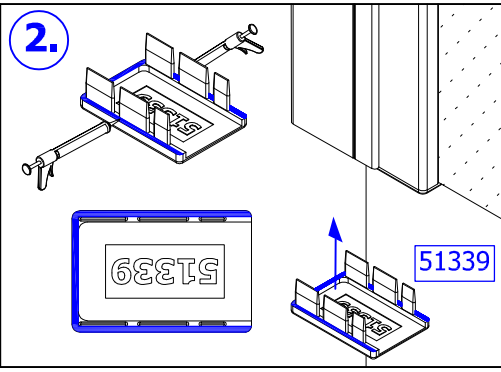
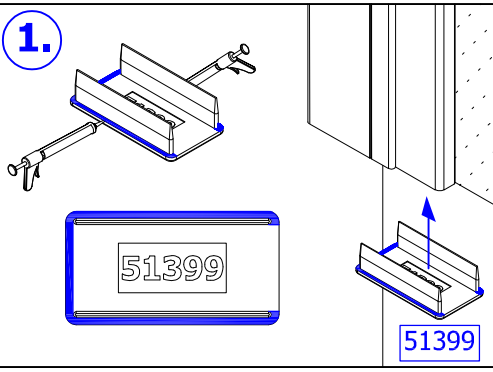
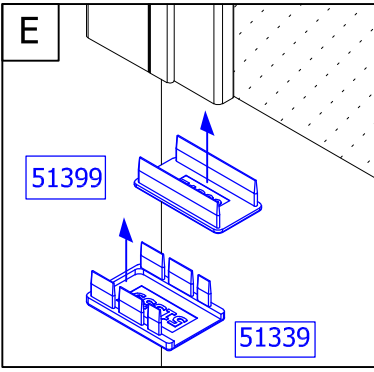
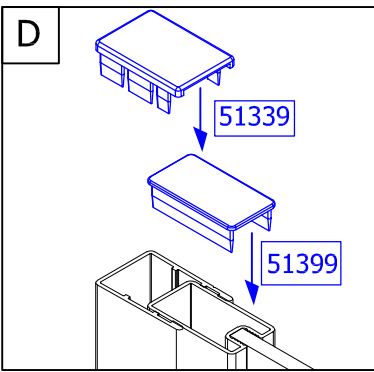
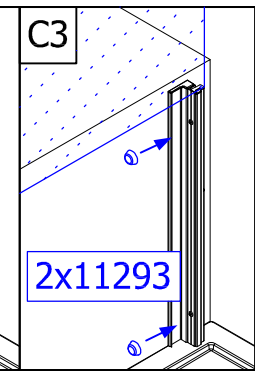
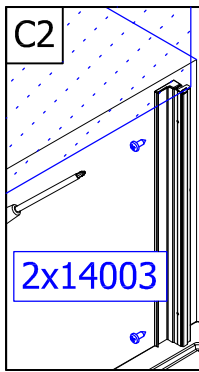
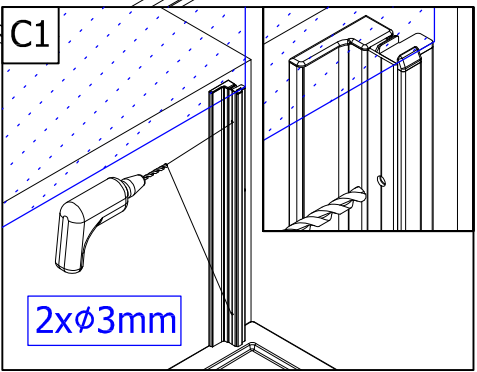
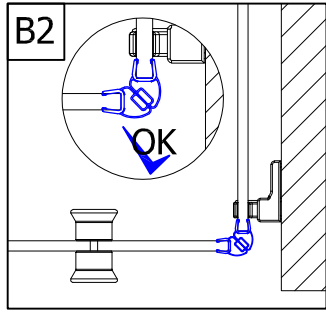
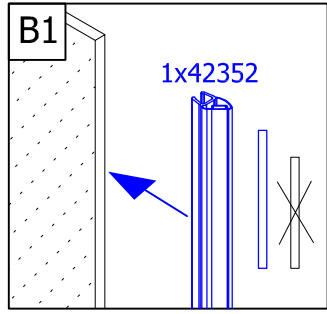
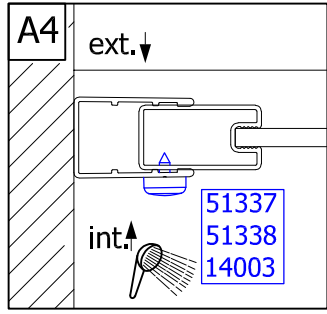
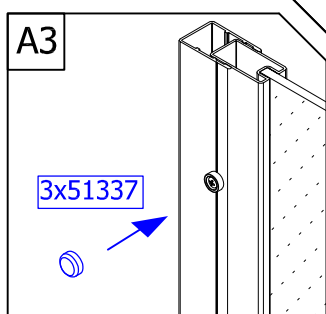
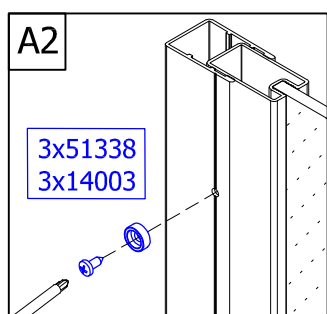
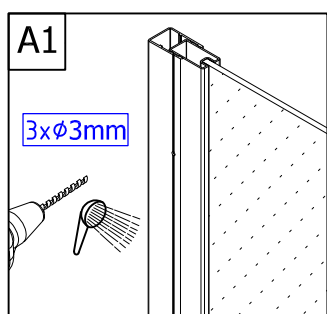
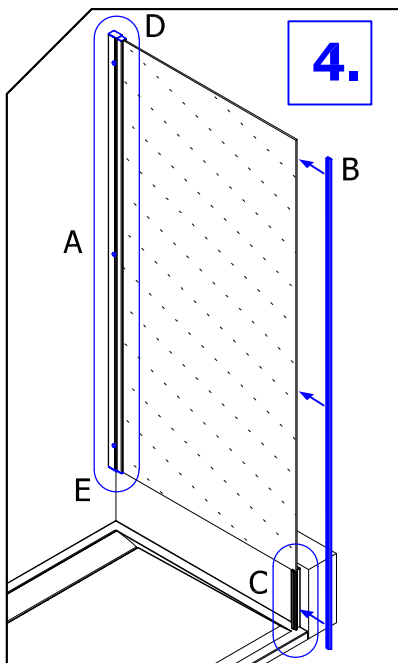
L/R

Detail A,B

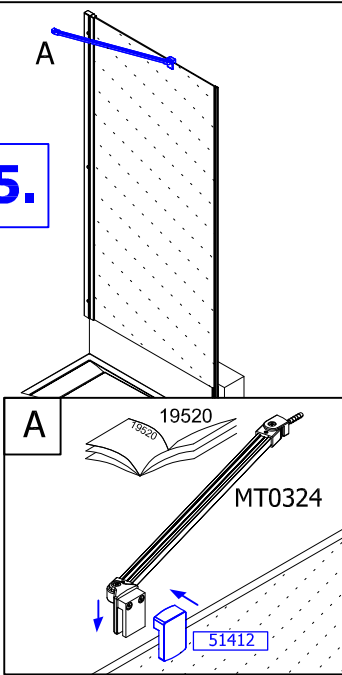




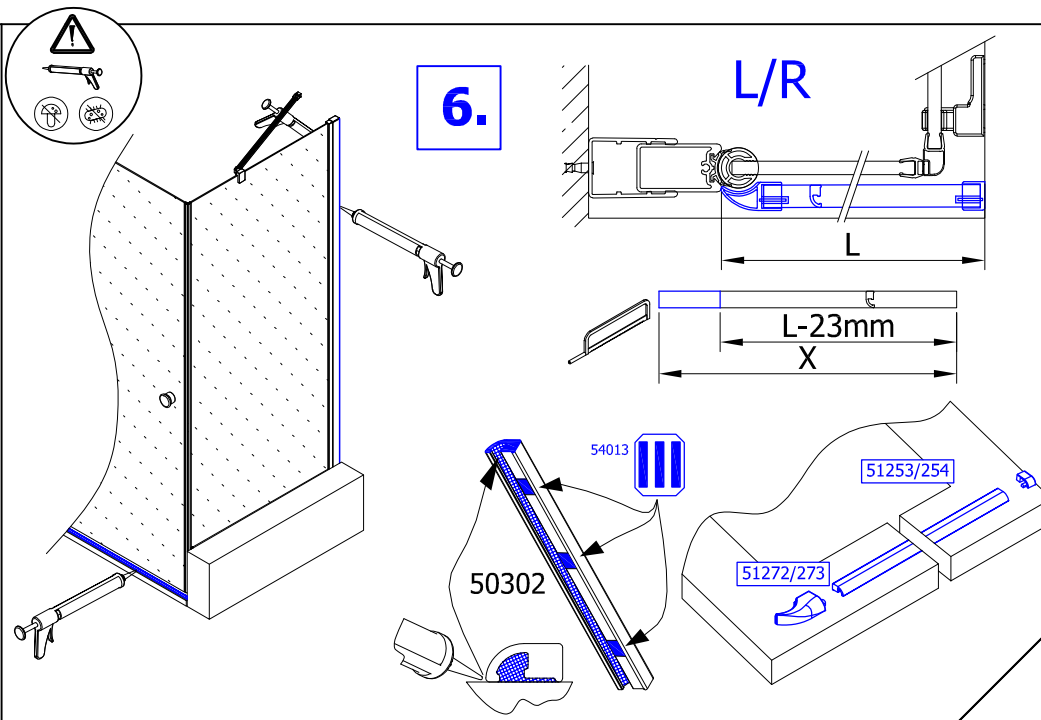
4.



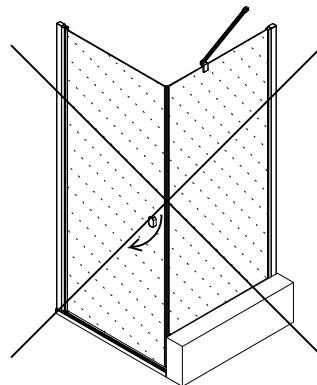
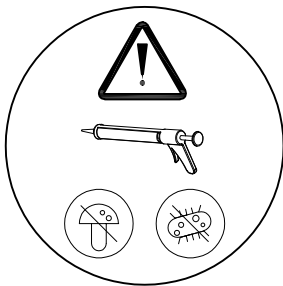
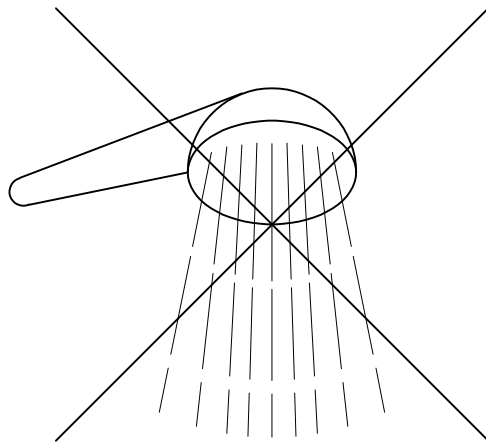
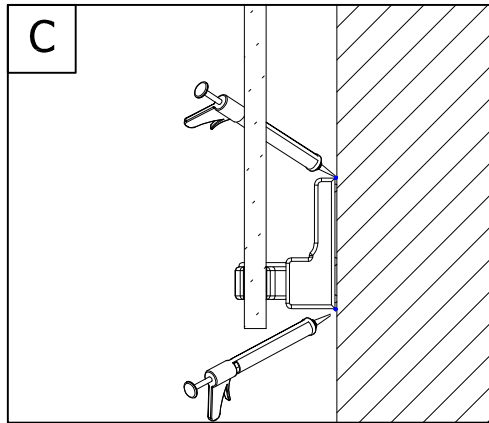
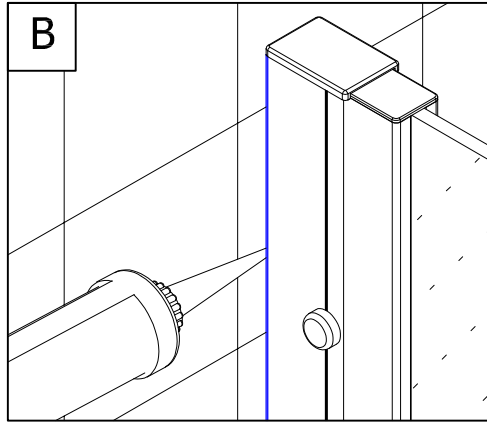
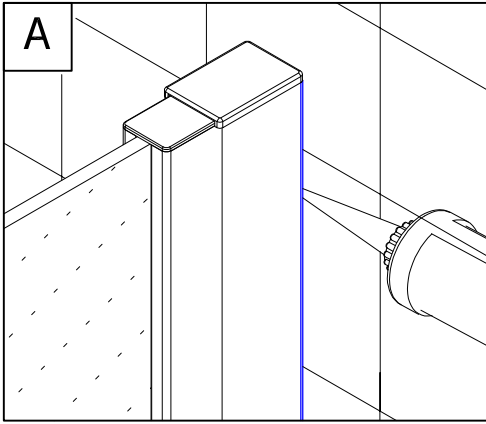
5.



6.



7.



MT0324.50.xxxx

